

 **BOEING**
COMPONENT
MAINTENANCE MANUAL

TO: ALL HOLDERS OF WING LEADING EDGE INBD SLAT NO. 6 AND 7 STRUCTURE ASSY
COMPONENT MAINTENANCE MANUAL 57-43-37

REVISION NO. 21 DATED JUL 01/04

HIGHLIGHTS

Pages which have been added or revised are outlined below together with the highlights of the revision. Remove and insert the affected pages as listed and enter Revision No. and date to the Record of Revision Sheet.

CHAPTER/SECTION

AND PAGE NO.

DESCRIPTION OF CHANGE

| | |
|-------------|----------------------------------|
| 401 | Edited without technical change. |
| REPAIR 2-1 | |
| 601 | |
| REPAIR 3-1 | |
| 601 | |
| REPAIR 4-1 | |
| 601 | |
| REPAIR 5-1 | |
| 601 | |
| REPAIR 6-1 | |
| 601 | |
| REPAIR 7-1 | |
| 601 | |
| REPAIR 8-1 | |
| 601-602 | |
| REPAIR 9-1 | |
| 601 | |
| REPAIR 10-1 | |
| 601 | |
| REPAIR 11-1 | |
| 601-602 | |
| REPAIR 12-1 | |
| 601 | |
| REPAIR 13-1 | |
| 601 | |
| REPAIR 14-1 | |
| 601-602 | |
| REPAIR 15-1 | |
| 601 | |

57-43-37

HIGHLIGHTS

01.1

Page 1

Jul 01/04

 **BOEING**
COMPONENT
MAINTENANCE MANUAL

CHAPTER/SECTION
AND PAGE NO.

REPAIR 16-1
601
REPAIR 17-1
601
REPAIR 18-1
601

DESCRIPTION OF CHANGE

HIGHLIGHT CONTINUED FROM PREVIOUS PAGE

57-43-37

HIGHLIGHTS

01.1

Page 2

Jul 01/04

WING LEADING EDGE INBOARD SLAT NO. 6, 7 STRUCTURE ASSEMBLY

PART NUMBERS 015T0165-9 THRU -12
015T1507-601 THRU -638,-641 THRU
-678,-681 THRU -688
114T3100-1A,-1B,-1C,-2A,-2B,-2C,
-11,-12,-13A,-13C,-14A,
-14C,-15 THRU -18,-21A,
-21B,-21C,-22A,-22B,-22C,
-23 THUR -28,-31 THRU -42,
-49G THRU -56G,
-401G THRU -412G

COMPONENT MAINTENANCE MANUAL
WITH
ILLUSTRATED PARTS LIST

57-43-37

TITLE PAGE

Page 1

Jul 01/03

01.1

REVISION RECORD

- Retain this record in front of manual. On receipt of revision, insert revised pages in the manual, and enter revision number, date inserted and initial.

| REVISION NUMBER | REVISION DATE | DATE FILED | BY | REVISION NUMBER | REVISION DATE | DATE FILED | BY |
|-----------------|---------------|------------|----|-----------------|---------------|------------|----|
| | | | | | | | |

TEMPORARY REVISION AND SERVICE BULLETIN RECORD

| BOEING SERVICE BULLETIN | BOEING TEMPORARY REVISION | OTHER DIRECTIVE | DATE OF INCORPORATION INTO MANUAL |
|-------------------------------|---------------------------------|--------------------|---|
| | | PRR A10502 | JAN 10/85 |
| | | PRR A10503-1 | JAN 10/85 |
| | | PRR A10510 | JAN 10/85 |
| | | PRR A10514-4 | JAN 10/85 |
| | | PRR A10515 | JAN 10/85 |
| | | PRR A10529 | JAN 10/85 |
| | | PRR A10528 | JAN 10/85 |
| | | PRR B10663-1 | JAN 10/85 |
| | | PRR C12017-1 | JAN 10/85 |
| | | PRR A10514-2 | JAN 10/85 |
| | | PRR A10518 | JAN 10/85 |
| | | PRR B11528-3 | JUL 01/89 |
| | | PRR B11974 | JUL 01/91 |
| | | PRR B12141 | JUL 01/91 |
| 767-32-0107 | | | OCT 01/92 |
| | | PRR B12388-1 | OCT 01/93 |
| 767-32-0095 | | | OCT 01/93 |
| 767-57A0039 | | | OCT 01/93 |
| 767-57A0039 R2 | | | JUN 01/95 |
| | | PRR B12900-67 | DEC 01/96 |
| 767-57A0057 | | | JUN 01/97 |
| 767-57A0057 R2 | | | JUL 01/99 |
| | | PRR B12797R6 | JUL 01/99 |
| | | PRR B13067 | JUL 01/03 |

57-43-37

TR & SB RECORD

01.1

Page 1

Jul 01/03

| PAGE | DATE | CODE | PAGE | DATE | CODE |
|-------------------------|-----------|------|----------------|-----------|--------|
| 57-43-37 | | | REPAIR-GENERAL | | |
| TITLE PAGE | | | 601 | JUN 01/97 | 01.1 |
| 1 | JUL 01/03 | 01.1 | 602 | JUN 01/97 | 01.1 |
| 2 | BLANK | | 603 | JUN 01/97 | 01.1 |
| REVISION RECORD | | | 604 | JUN 01/97 | 01.1 |
| 1 | JUN 01/97 | 01.1 | REPAIR 1-1 | | |
| 2 | BLANK | | 601 | JUN 01/97 | 01.1 |
| TR & SB RECORD | | | 602 | JUN 01/97 | 01.1 |
| 1 | JUL 01/03 | 01.1 | REPAIR 2-1 | | |
| 2 | BLANK | | *601 | JUL 01/04 | 01.1 |
| LIST OF EFFECTIVE PAGES | | | 602 | BLANK | |
| *1 | JUL 01/04 | 01 | REPAIR 3-1 | | |
| THRU LAST PAGE | | | *601 | JUL 01/04 | 01.1 |
| CONTENTS | | | 602 | BLANK | |
| 1 | JUN 01/97 | 01.1 | REPAIR 4-1 | | |
| 2 | BLANK | | *601 | JUL 01/04 | 01.1 |
| INTRODUCTION | | | 602 | JUL 01/99 | 01.1 |
| 1 | JUN 01/97 | 01.1 | 603 | JUL 01/99 | 01.1 |
| 2 | BLANK | | 604 | BLANK | |
| DESCRIPTION & OPERATION | | | REPAIR 5-1 | | |
| 1 | JUL 01/99 | 01.1 | *601 | JUL 01/04 | 01.1 |
| 2 | BLANK | | 602 | JUL 01/03 | 01.1 |
| DISASSEMBLY | | | REPAIR 6-1 | | |
| 301 | JUN 01/97 | 01.1 | *601 | JUL 01/04 | 01.1 |
| 302 | BLANK | | 602 | BLANK | |
| CLEANING | | | REPAIR 7-1 | | |
| *401 | JUL 01/04 | 01.1 | *601 | JUL 01/04 | 01.1 |
| 402 | BLANK | | 602 | BLANK | |
| CHECK | | | REPAIR 8-1 | | |
| 501 | JUL 01/99 | 01.1 | *601 | JUL 01/04 | 01.1 |
| 502 | BLANK | | *602 | JUL 01/04 | 01.1 |
| | | | 603 | JUL 01/99 | 01.1 |
| | | | 604 | JUL 01/99 | 01.101 |

* = REVISED, ADDED OR DELETED

57-43-37

EFFECTIVE PAGES
 CONTINUED Page 1
 01 Jul 01/04

| PAGE | DATE | CODE | PAGE | DATE | CODE |
|-------------|-----------|--------|------------------------|-----------|------|
| REPAIR 9-1 | | | REPAIR 19-1 | | |
| *601 | JUL 01/04 | 01.1 | 601 | JUL 01/03 | 01.1 |
| 602 | BLANK | | 602 | MAR 01/98 | 01.1 |
| REPAIR 10-1 | | | 603 | MAR 01/98 | 01.1 |
| *601 | JUL 01/04 | 01.1 | 604 | NOV 01/01 | 01.1 |
| 602 | BLANK | | 605 | MAR 01/98 | 01.1 |
| REPAIR 11-1 | | | 606 | MAR 01/98 | 01.1 |
| *601 | JUL 01/04 | 01.1 | 607 | JUN 01/97 | 01.1 |
| *602 | JUL 01/04 | 01.1 | 608 | JUN 01/97 | 01.1 |
| 603 | JUL 01/99 | 01.1 | 609 | MAR 01/98 | 01.1 |
| 604 | JUL 01/99 | 01.101 | 610 | NOV 01/01 | 01.1 |
| REPAIR 12-1 | | | 611 | NOV 01/01 | 01.1 |
| *601 | JUL 01/04 | 01.1 | 612 | BLANK | |
| 602 | BLANK | | ASSEMBLY | | |
| REPAIR 13-1 | | | 701 | JUN 01/97 | 01.1 |
| *601 | JUL 01/04 | 01.1 | 702 | JUN 01/97 | 01.1 |
| 602 | BLANK | | 703 | JUL 01/99 | 01.1 |
| REPAIR 14-1 | | | 704 | JUL 01/99 | 01.1 |
| *601 | JUL 01/04 | 01.1 | 705 | JUL 01/99 | 01.1 |
| *602 | JUL 01/04 | 01.1 | 706 | BLANK | |
| REPAIR 15-1 | | | FITS AND CLEARANCES | | |
| *601 | JUL 01/04 | 01.1 | 801 | MAR 01/04 | 01.1 |
| 602 | JUN 01/97 | 01.1 | 802 | MAR 01/04 | 01.1 |
| REPAIR 16-1 | | | 803 | MAR 01/04 | 01.1 |
| *601 | JUL 01/04 | 01.1 | 804 | MAR 01/04 | 01.1 |
| 602 | BLANK | | SPECIAL TOOLS | | |
| REPAIR 17-1 | | | 901 | JUN 01/97 | 01.1 |
| *601 | JUL 01/04 | 01.1 | 902 | BLANK | |
| 602 | BLANK | | ILLUSTRATED PARTS LIST | | |
| REPAIR 18-1 | | | 1001 | JUN 01/97 | 01.1 |
| *601 | JUL 01/04 | 01.1 | 1002 | JUL 01/03 | 01.1 |
| 602 | JUL 01/99 | 01.1 | 1003 | JUL 01/03 | 01.1 |
| 603 | JUL 01/03 | 01.1 | 1004 | JUL 01/03 | 01.1 |
| 604 | JUL 01/99 | 01.1 | 1005 | JUL 01/03 | 01.1 |
| | | | 1006 | JUL 01/03 | 01.1 |
| | | | 1007 | JUL 01/03 | 01.1 |
| | | | 1008 | JUL 01/03 | 01.1 |
| | | | 1009 | JUL 01/03 | 01.1 |
| | | | 1010 | JUL 01/03 | 01.1 |

* = REVISED, ADDED OR DELETED

57-43-37

EFFECTIVE PAGES
 CONTINUED Page 2
 01 Jul 01/04

| PAGE | DATE | CODE | PAGE | DATE | CODE |
|------------------------|-----------|-------|------------------------|-----------|-------|
| ILLUSTRATED PARTS LIST | | CONT. | ILLUSTRATED PARTS LIST | | CONT. |
| 1011 | JUL 01/03 | 01.1 | 1053 | JUL 01/03 | 01.1 |
| 1012 | JUL 01/03 | 01.1 | 1054 | JUL 01/03 | 01.1 |
| 1013 | JUL 01/03 | 01.1 | 1055 | JUL 01/03 | 01.1 |
| 1014 | JUL 01/03 | 01.1 | 1056 | JUL 01/03 | 01.1 |
| 1015 | JUL 01/03 | 01.1 | 1057 | JUL 01/03 | 01.1 |
| 1016 | JUL 01/03 | 01.1 | 1058 | JUL 01/03 | 01.1 |
| 1017 | JUL 01/03 | 01.1 | 1059 | JUL 01/03 | 01.1 |
| 1018 | JUL 01/03 | 01.1 | 1060 | JUL 01/03 | 01.1 |
| 1019 | JUL 01/03 | 01.1 | 1060A | JUL 01/03 | 01.1 |
| 1020 | JUL 01/03 | 01.1 | 1060B | JUL 01/03 | 01.1 |
| 1021 | JUL 01/03 | 01.1 | 1060C | JUL 01/03 | 01.1 |
| 1022 | JUL 01/03 | 01.1 | 1060D | JUL 01/03 | 01.1 |
| 1023 | JUL 01/03 | 01.1 | 1060E | JUL 01/03 | 01.1 |
| 1024 | JUL 01/03 | 01.1 | 1060F | JUL 01/03 | 01.1 |
| 1025 | JUL 01/03 | 01.1 | 1060G | JUL 01/03 | 01.1 |
| 1026 | JUL 01/03 | 01.1 | 1060H | JUL 01/03 | 01.1 |
| 1027 | JUL 01/03 | 01.1 | 1060I | JUL 01/03 | 01.1 |
| 1028 | JUL 01/03 | 01.1 | 1060J | JUL 01/03 | 01.1 |
| 1029 | JUL 01/03 | 01.1 | 1060K | JUL 01/03 | 01.1 |
| 1030 | JUL 01/03 | 01.1 | 1060L | JUL 01/03 | 01.1 |
| 1031 | JUL 01/03 | 01.1 | 1060M | JUL 01/03 | 01.1 |
| 1032 | JUL 01/03 | 01.1 | 1060N | JUL 01/03 | 01.1 |
| 1033 | JUL 01/03 | 01.1 | 1060O | JUL 01/03 | 01.1 |
| 1034 | JUL 01/03 | 01.1 | 1060P | JUL 01/03 | 01.1 |
| 1035 | JUL 01/03 | 01.1 | 1060Q | JUL 01/03 | 01.1 |
| 1036 | JUL 01/03 | 01.1 | 1060R | JUL 01/03 | 01.1 |
| 1037 | JUL 01/03 | 01.1 | 1060S | JUL 01/03 | 01.1 |
| 1038 | JUL 01/03 | 01.1 | 1060T | JUL 01/03 | 01.1 |
| 1039 | JUL 01/03 | 01.1 | 1060U | JUL 01/03 | 01.1 |
| 1040 | JUL 01/03 | 01.1 | 1060V | JUL 01/03 | 01.1 |
| 1041 | JUL 01/03 | 01.1 | 1060W | JUL 01/03 | 01.1 |
| 1042 | JUL 01/03 | 01.1 | 1060X | JUL 01/03 | 01.1 |
| 1043 | JUL 01/03 | 01.1 | 1060Y | JUL 01/03 | 01.1 |
| 1044 | JUL 01/03 | 01.1 | 1060Z | JUL 01/03 | 01.1 |
| 1045 | JUL 01/03 | 01.1 | 1061 | JUL 01/03 | 01.1 |
| 1046 | JUL 01/03 | 01.1 | 1062 | JUL 01/03 | 01.1 |
| 1047 | JUL 01/03 | 01.1 | 1062A | JUL 01/03 | 01.1 |
| 1048 | JUL 01/03 | 01.1 | 1062B | JUL 01/03 | 01.1 |
| 1049 | JUL 01/03 | 01.1 | 1062C | JUL 01/03 | 01.1 |
| 1050 | JUL 01/03 | 01.1 | 1062D | JUL 01/03 | 01.1 |
| 1051 | JUL 01/03 | 01.1 | 1062E | JUL 01/03 | 01.1 |
| 1052 | JUL 01/03 | 01.1 | 1062F | JUL 01/03 | 01.1 |

* = REVISED, ADDED OR DELETED

57-43-37

EFFECTIVE PAGES
 CONTINUED Page 3
 01 Jul 01/04

| PAGE | DATE | CODE | PAGE | DATE | CODE |
|-------------|------------|-------|-------------|------------|-------|
| ILLUSTRATED | PARTS LIST | CONT. | ILLUSTRATED | PARTS LIST | CONT. |
| 1062G | JUL 01/03 | 01.1 | 1064U | JUL 01/03 | 01.1 |
| 1062H | BLANK | | 1064V | JUL 01/03 | 01.1 |
| 1062I | JUL 01/03 | 01.1 | 1064W | JUL 01/03 | 01.1 |
| 1062J | JUL 01/03 | 01.1 | 1064X | JUL 01/03 | 01.1 |
| 1062K | JUL 01/03 | 01.1 | 1064Y | JUL 01/03 | 01.1 |
| 1062L | JUL 01/03 | 01.1 | 1064Z | JUL 01/03 | 01.1 |
| 1062M | JUL 01/03 | 01.1 | 1065 | JUL 01/03 | 01.1 |
| 1062N | JUL 01/03 | 01.1 | 1066 | JUL 01/03 | 01.1 |
| 1062O | JUL 01/03 | 01.1 | 1066A | JUL 01/03 | 01.1 |
| 1062P | JUL 01/03 | 01.1 | 1066B | JUL 01/03 | 01.1 |
| 1062Q | JUL 01/03 | 01.1 | 1066C | JUL 01/03 | 01.1 |
| 1062R | JUL 01/03 | 01.1 | 1066D | JUL 01/03 | 01.1 |
| 1062S | JUL 01/03 | 01.1 | 1066E | JUL 01/03 | 01.1 |
| 1062T | JUL 01/03 | 01.1 | 1066F | JUL 01/03 | 01.1 |
| 1062U | JUL 01/03 | 01.1 | 1066G | JUL 01/03 | 01.1 |
| 1062V | JUL 01/03 | 01.1 | 1066H | JUL 01/03 | 01.1 |
| 1062W | JUL 01/03 | 01.1 | 1066I | JUL 01/03 | 01.1 |
| 1062X | JUL 01/03 | 01.1 | 1066J | JUL 01/03 | 01.1 |
| 1062Y | JUL 01/03 | 01.1 | 1066K | JUL 01/03 | 01.1 |
| 1062Z | JUL 01/03 | 01.1 | 1066L | JUL 01/03 | 01.1 |
| 1063 | JUL 01/03 | 01.1 | 1066M | JUL 01/03 | 01.1 |
| 1064 | JUL 01/03 | 01.1 | 1066N | JUL 01/03 | 01.1 |
| 1064A | JUL 01/03 | 01.1 | 1066O | JUL 01/03 | 01.1 |
| 1064B | JUL 01/03 | 01.1 | 1066P | JUL 01/03 | 01.1 |
| 1064C | JUL 01/03 | 01.1 | 1066Q | JUL 01/03 | 01.1 |
| 1064D | JUL 01/03 | 01.1 | 1066R | JUL 01/03 | 01.1 |
| 1064E | JUL 01/03 | 01.1 | 1066S | JUL 01/03 | 01.1 |
| 1064F | JUL 01/03 | 01.1 | 1066T | JUL 01/03 | 01.1 |
| 1064G | JUL 01/03 | 01.1 | 1066U | JUL 01/03 | 01.1 |
| 1064H | JUL 01/03 | 01.1 | 1066V | JUL 01/03 | 01.1 |
| 1064I | JUL 01/03 | 01.1 | 1066W | JUL 01/03 | 01.1 |
| 1064J | JUL 01/03 | 01.1 | 1066X | JUL 01/03 | 01.1 |
| 1064K | JUL 01/03 | 01.1 | 1066Y | JUL 01/03 | 01.1 |
| 1064L | JUL 01/03 | 01.1 | 1066Z | JUL 01/03 | 01.1 |
| 1064M | JUL 01/03 | 01.1 | 1067 | JUL 01/03 | 01.1 |
| 1064N | JUL 01/03 | 01.1 | 1068 | JUL 01/03 | 01.1 |
| 1064O | JUL 01/03 | 01.1 | 1068A | JUL 01/03 | 01.1 |
| 1064P | JUL 01/03 | 01.1 | 1068B | JUL 01/03 | 01.1 |
| 1064Q | JUL 01/03 | 01.1 | 1068C | JUL 01/03 | 01.1 |
| 1064R | JUL 01/03 | 01.1 | 1068D | JUL 01/03 | 01.1 |
| 1064S | JUL 01/03 | 01.1 | 1068E | JUL 01/03 | 01.1 |
| 1064T | JUL 01/03 | 01.1 | 1068F | JUL 01/03 | 01.1 |

* = REVISED, ADDED OR DELETED

57-43-37

EFFECTIVE PAGES
 CONTINUED Page 4
 01 Jul 01/04

| PAGE | DATE | CODE | PAGE | DATE | CODE |
|------------------------|-----------|-------|------------------------|-----------|-------|
| ILLUSTRATED PARTS LIST | | CONT. | ILLUSTRATED PARTS LIST | | CONT. |
| 1068G | JUL 01/03 | 01.1 | 1070U | JUL 01/03 | 01.1 |
| 1068H | JUL 01/03 | 01.1 | 1070V | JUL 01/03 | 01.1 |
| 1068I | JUL 01/03 | 01.1 | 1070W | JUL 01/03 | 01.1 |
| 1068J | JUL 01/03 | 01.1 | 1070X | JUL 01/03 | 01.1 |
| 1068K | JUL 01/03 | 01.1 | 1070Y | JUL 01/03 | 01.1 |
| 1068L | JUL 01/03 | 01.1 | 1070Z | JUL 01/03 | 01.1 |
| 1068M | JUL 01/03 | 01.1 | 1071 | JUL 01/03 | 01.1 |
| 1068N | JUL 01/03 | 01.1 | 1072 | JUL 01/03 | 01.1 |
| 1068O | JUL 01/03 | 01.1 | 1072A | JUL 01/03 | 01.1 |
| 1068P | JUL 01/03 | 01.1 | 1072B | JUL 01/03 | 01.1 |
| 1068Q | JUL 01/03 | 01.1 | 1072C | JUL 01/03 | 01.1 |
| 1068R | JUL 01/03 | 01.1 | 1072D | JUL 01/03 | 01.1 |
| 1068S | JUL 01/03 | 01.1 | 1072E | JUL 01/03 | 01.1 |
| 1068T | JUL 01/03 | 01.1 | 1072F | JUL 01/03 | 01.1 |
| 1068U | JUL 01/03 | 01.1 | 1072G | JUL 01/03 | 01.1 |
| 1068V | JUL 01/03 | 01.1 | 1072H | JUL 01/03 | 01.1 |
| 1068W | JUL 01/03 | 01.1 | 1072I | JUL 01/03 | 01.1 |
| 1068X | JUL 01/03 | 01.1 | 1072J | JUL 01/03 | 01.1 |
| 1068Y | JUL 01/03 | 01.1 | 1072K | JUL 01/03 | 01.1 |
| 1068Z | JUL 01/03 | 01.1 | 1072L | JUL 01/03 | 01.1 |
| 1069 | JUL 01/03 | 01.1 | 1072M | JUL 01/03 | 01.1 |
| 1070 | JUL 01/03 | 01.1 | 1072N | JUL 01/03 | 01.1 |
| 1070A | JUL 01/03 | 01.1 | 1072O | JUL 01/03 | 01.1 |
| 1070B | JUL 01/03 | 01.1 | 1072P | JUL 01/03 | 01.1 |
| 1070C | JUL 01/03 | 01.1 | 1072Q | JUL 01/03 | 01.1 |
| 1070D | JUL 01/03 | 01.1 | 1072R | JUL 01/03 | 01.1 |
| 1070E | JUL 01/03 | 01.1 | 1072S | JUL 01/03 | 01.1 |
| 1070F | JUL 01/03 | 01.1 | 1072T | JUL 01/03 | 01.1 |
| 1070G | JUL 01/03 | 01.1 | 1072U | JUL 01/03 | 01.1 |
| 1070H | JUL 01/03 | 01.1 | 1072V | JUL 01/03 | 01.1 |
| 1070I | JUL 01/03 | 01.1 | 1072W | JUL 01/03 | 01.1 |
| 1070J | JUL 01/03 | 01.1 | 1072X | JUL 01/03 | 01.1 |
| 1070K | JUL 01/03 | 01.1 | 1072Y | JUL 01/03 | 01.1 |
| 1070L | JUL 01/03 | 01.1 | 1072Z | JUL 01/03 | 01.1 |
| 1070M | JUL 01/03 | 01.1 | 1073 | JUL 01/03 | 01.1 |
| 1070N | JUL 01/03 | 01.1 | 1074 | JUL 01/03 | 01.1 |
| 1070O | JUL 01/03 | 01.1 | 1074A | JUL 01/03 | 01.1 |
| 1070P | JUL 01/03 | 01.1 | 1074B | JUL 01/03 | 01.1 |
| 1070Q | JUL 01/03 | 01.1 | 1074C | JUL 01/03 | 01.1 |
| 1070R | JUL 01/03 | 01.1 | 1074D | JUL 01/03 | 01.1 |
| 1070S | JUL 01/03 | 01.1 | 1074E | JUL 01/03 | 01.1 |
| 1070T | JUL 01/03 | 01.1 | 1074F | JUL 01/03 | 01.1 |

* = REVISED, ADDED OR DELETED

57-43-37

EFFECTIVE PAGES
 CONTINUED Page 5
 01 Jul 01/04

| PAGE | DATE | CODE | PAGE | DATE | CODE |
|-------------|------------|-------|-------------|------------|-------|
| ILLUSTRATED | PARTS LIST | CONT. | ILLUSTRATED | PARTS LIST | CONT. |
| 1074G | JUL 01/03 | 01.1 | 1076U | JUL 01/03 | 01.1 |
| 1074H | JUL 01/03 | 01.1 | 1076V | JUL 01/03 | 01.1 |
| 1074I | JUL 01/03 | 01.1 | 1076W | JUL 01/03 | 01.1 |
| 1074J | JUL 01/03 | 01.1 | 1076X | JUL 01/03 | 01.1 |
| 1074K | JUL 01/03 | 01.1 | 1076Y | JUL 01/03 | 01.1 |
| 1074L | JUL 01/03 | 01.1 | 1076Z | JUL 01/03 | 01.1 |
| 1074M | JUL 01/03 | 01.1 | 1077 | JUL 01/03 | 01.1 |
| 1074N | JUL 01/03 | 01.1 | 1078 | JUL 01/03 | 01.1 |
| 1074O | JUL 01/03 | 01.1 | 1078A | JUL 01/03 | 01.1 |
| 1074P | JUL 01/03 | 01.1 | 1078B | JUL 01/03 | 01.1 |
| 1074Q | JUL 01/03 | 01.1 | 1078C | JUL 01/03 | 01.1 |
| 1074R | JUL 01/03 | 01.1 | 1078D | JUL 01/03 | 01.1 |
| 1074S | JUL 01/03 | 01.1 | 1078E | JUL 01/03 | 01.1 |
| 1074T | JUL 01/03 | 01.1 | 1078F | JUL 01/03 | 01.1 |
| 1074U | JUL 01/03 | 01.1 | 1078G | JUL 01/03 | 01.1 |
| 1074V | JUL 01/03 | 01.1 | 1078H | JUL 01/03 | 01.1 |
| 1074W | JUL 01/03 | 01.1 | 1078I | JUL 01/03 | 01.1 |
| 1074X | JUL 01/03 | 01.1 | 1078J | JUL 01/03 | 01.1 |
| 1074Y | JUL 01/03 | 01.1 | 1078K | JUL 01/03 | 01.1 |
| 1074Z | JUL 01/03 | 01.1 | 1078L | JUL 01/03 | 01.1 |
| 1075 | JUL 01/03 | 01.1 | 1078M | JUL 01/03 | 01.1 |
| 1076 | JUL 01/03 | 01.1 | 1078N | JUL 01/03 | 01.1 |
| 1076A | JUL 01/03 | 01.1 | 1078O | JUL 01/03 | 01.1 |
| 1076B | JUL 01/03 | 01.1 | 1078P | JUL 01/03 | 01.1 |
| 1076C | JUL 01/03 | 01.1 | 1078Q | JUL 01/03 | 01.1 |
| 1076D | JUL 01/03 | 01.1 | 1078R | JUL 01/03 | 01.1 |
| 1076E | JUL 01/03 | 01.1 | 1078S | JUL 01/03 | 01.1 |
| 1076F | JUL 01/03 | 01.1 | 1078T | JUL 01/03 | 01.1 |
| 1076G | JUL 01/03 | 01.1 | 1078U | JUL 01/03 | 01.1 |
| 1076H | JUL 01/03 | 01.1 | 1078V | JUL 01/03 | 01.1 |
| 1076I | JUL 01/03 | 01.1 | 1078W | JUL 01/03 | 01.1 |
| 1076J | JUL 01/03 | 01.1 | 1078X | JUL 01/03 | 01.1 |
| 1076K | JUL 01/03 | 01.1 | 1078Y | JUL 01/03 | 01.1 |
| 1076L | JUL 01/03 | 01.1 | 1078Z | JUL 01/03 | 01.1 |
| 1076M | JUL 01/03 | 01.1 | 1079 | JUL 01/03 | 01.1 |
| 1076N | JUL 01/03 | 01.1 | 1080 | JUL 01/03 | 01.1 |
| 1076O | JUL 01/03 | 01.1 | 1080A | JUL 01/03 | 01.1 |
| 1076P | JUL 01/03 | 01.1 | 1080B | JUL 01/03 | 01.1 |
| 1076Q | JUL 01/03 | 01.1 | 1080C | JUL 01/03 | 01.1 |
| 1076R | JUL 01/03 | 01.1 | 1080D | JUL 01/03 | 01.1 |
| 1076S | JUL 01/03 | 01.1 | 1080E | JUL 01/03 | 01.1 |
| 1076T | JUL 01/03 | 01.1 | 1080F | JUL 01/03 | 01.1 |

* = REVISED, ADDED OR DELETED

57-43-37

EFFECTIVE PAGES
 CONTINUED Page 6
 01 Jul 01/04

| PAGE | DATE | CODE | PAGE | DATE | CODE |
|------------------------|-----------|-------|------------------------|-----------|-------|
| ILLUSTRATED PARTS LIST | | CONT. | ILLUSTRATED PARTS LIST | | CONT. |
| 1080G | JUL 01/03 | 01.1 | 1082U | JUL 01/03 | 01.1 |
| 1080H | JUL 01/03 | 01.1 | 1082V | JUL 01/03 | 01.1 |
| 1080I | JUL 01/03 | 01.1 | 1082W | JUL 01/03 | 01.1 |
| 1080J | JUL 01/03 | 01.1 | 1082X | JUL 01/03 | 01.1 |
| 1080K | JUL 01/03 | 01.1 | 1082Y | JUL 01/03 | 01.1 |
| 1080L | JUL 01/03 | 01.1 | 1082Z | JUL 01/03 | 01.1 |
| 1080M | JUL 01/03 | 01.1 | 1083 | JUL 01/03 | 01.1 |
| 1080N | JUL 01/03 | 01.1 | 1084 | JUL 01/03 | 01.1 |
| 1080O | JUL 01/03 | 01.1 | 1084A | JUL 01/03 | 01.1 |
| 1080P | JUL 01/03 | 01.1 | 1084B | JUL 01/03 | 01.1 |
| 1080Q | JUL 01/03 | 01.1 | 1084C | JUL 01/03 | 01.1 |
| 1080R | JUL 01/03 | 01.1 | 1084D | JUL 01/03 | 01.1 |
| 1080S | JUL 01/03 | 01.1 | 1084E | JUL 01/03 | 01.1 |
| 1080T | JUL 01/03 | 01.1 | 1084F | JUL 01/03 | 01.1 |
| 1080U | JUL 01/03 | 01.1 | 1084G | JUL 01/03 | 01.1 |
| 1080V | JUL 01/03 | 01.1 | 1084H | JUL 01/03 | 01.1 |
| 1080W | JUL 01/03 | 01.1 | 1084I | JUL 01/03 | 01.1 |
| 1080X | JUL 01/03 | 01.1 | 1084J | JUL 01/03 | 01.1 |
| 1080Y | JUL 01/03 | 01.1 | 1084K | JUL 01/03 | 01.1 |
| 1080Z | JUL 01/03 | 01.1 | 1084L | JUL 01/03 | 01.1 |
| 1081 | JUL 01/03 | 01.1 | 1084M | JUL 01/03 | 01.1 |
| 1082 | JUL 01/03 | 01.1 | 1084N | BLANK | |
| 1082A | JUL 01/03 | 01.1 | 1084O | JUL 01/03 | 01.1 |
| 1082B | JUL 01/03 | 01.1 | 1084P | JUL 01/03 | 01.1 |
| 1082C | JUL 01/03 | 01.1 | 1084Q | JUL 01/03 | 01.1 |
| 1082D | JUL 01/03 | 01.1 | 1084R | JUL 01/03 | 01.1 |
| 1082E | JUL 01/03 | 01.1 | 1084S | JUL 01/03 | 01.1 |
| 1082F | JUL 01/03 | 01.1 | 1084T | JUL 01/03 | 01.1 |
| 1082G | JUL 01/03 | 01.1 | 1084U | JUL 01/03 | 01.1 |
| 1082H | JUL 01/03 | 01.1 | 1084V | JUL 01/03 | 01.1 |
| 1082I | JUL 01/03 | 01.1 | 1084W | JUL 01/03 | 01.1 |
| 1082J | JUL 01/03 | 01.1 | 1084X | JUL 01/03 | 01.1 |
| 1082K | JUL 01/03 | 01.1 | 1084Y | JUL 01/03 | 01.1 |
| 1082L | JUL 01/03 | 01.1 | 1084Z | JUL 01/03 | 01.1 |
| 1082M | JUL 01/03 | 01.1 | 1085 | JUL 01/03 | 01.1 |
| 1082N | JUL 01/03 | 01.1 | 1086 | JUL 01/03 | 01.1 |
| 1082O | JUL 01/03 | 01.1 | 1086A | JUL 01/03 | 01.1 |
| 1082P | JUL 01/03 | 01.1 | 1086B | JUL 01/03 | 01.1 |
| 1082Q | JUL 01/03 | 01.1 | 1086C | JUL 01/03 | 01.1 |
| 1082R | JUL 01/03 | 01.1 | 1086D | JUL 01/03 | 01.1 |
| 1082S | JUL 01/03 | 01.1 | 1086E | JUL 01/03 | 01.1 |
| 1082T | JUL 01/03 | 01.1 | 1086F | JUL 01/03 | 01.1 |

* = REVISED, ADDED OR DELETED

57-43-37

EFFECTIVE PAGES
 CONTINUED Page 7
 01 Jul 01/04

| PAGE | DATE | CODE | PAGE | DATE | CODE |
|------------------------|-----------|-------|------------------------|-----------|-------|
| ILLUSTRATED PARTS LIST | | CONT. | ILLUSTRATED PARTS LIST | | CONT. |
| 1086G | JUL 01/03 | 01.1 | 1088U | JUL 01/03 | 01.1 |
| 1086H | JUL 01/03 | 01.1 | 1088V | JUL 01/03 | 01.1 |
| 1086I | JUL 01/03 | 01.1 | 1088W | JUL 01/03 | 01.1 |
| 1086J | JUL 01/03 | 01.1 | 1088X | JUL 01/03 | 01.1 |
| 1086K | JUL 01/03 | 01.1 | 1088Y | JUL 01/03 | 01.1 |
| 1086L | JUL 01/03 | 01.1 | 1088Z | JUL 01/03 | 01.1 |
| 1086M | JUL 01/03 | 01.1 | 1089 | JUL 01/03 | 01.1 |
| 1086N | JUL 01/03 | 01.1 | 1090 | JUL 01/03 | 01.1 |
| 1086O | JUL 01/03 | 01.1 | 1090A | JUL 01/03 | 01.1 |
| 1086P | JUL 01/03 | 01.1 | 1090B | JUL 01/03 | 01.1 |
| 1086Q | JUL 01/03 | 01.1 | 1090C | JUL 01/03 | 01.1 |
| 1086R | JUL 01/03 | 01.1 | 1090D | JUL 01/03 | 01.1 |
| 1086S | JUL 01/03 | 01.1 | 1090E | JUL 01/03 | 01.1 |
| 1086T | JUL 01/03 | 01.1 | 1090F | JUL 01/03 | 01.1 |
| 1086U | JUL 01/03 | 01.1 | 1090G | JUL 01/03 | 01.1 |
| 1086V | JUL 01/03 | 01.1 | 1090H | JUL 01/03 | 01.1 |
| 1086W | JUL 01/03 | 01.1 | 1090I | BLANK | |
| 1086X | JUL 01/03 | 01.1 | 1090J | JUL 01/03 | 01.1 |
| 1086Y | JUL 01/03 | 01.1 | 1090K | JUL 01/03 | 01.1 |
| 1086Z | JUL 01/03 | 01.1 | 1090L | JUL 01/03 | 01.1 |
| 1087 | JUL 01/03 | 01.1 | 1090M | JUL 01/03 | 01.1 |
| 1088 | JUL 01/03 | 01.1 | 1090N | JUL 01/03 | 01.1 |
| 1088A | JUL 01/03 | 01.1 | 1090O | JUL 01/03 | 01.1 |
| 1088B | JUL 01/03 | 01.1 | 1090P | JUL 01/03 | 01.1 |
| 1088C | JUL 01/03 | 01.1 | 1090Q | JUL 01/03 | 01.1 |
| 1088D | JUL 01/03 | 01.1 | 1090R | JUL 01/03 | 01.1 |
| 1088E | JUL 01/03 | 01.1 | 1090S | JUL 01/03 | 01.1 |
| 1088F | JUL 01/03 | 01.1 | 1090T | JUL 01/03 | 01.1 |
| 1088G | JUL 01/03 | 01.1 | 1090U | JUL 01/03 | 01.1 |
| 1088H | JUL 01/03 | 01.1 | 1090V | JUL 01/03 | 01.1 |
| 1088I | JUL 01/03 | 01.1 | 1090W | JUL 01/03 | 01.1 |
| 1088J | JUL 01/03 | 01.1 | 1090X | JUL 01/03 | 01.1 |
| 1088K | JUL 01/03 | 01.1 | 1090Y | JUL 01/03 | 01.1 |
| 1088L | JUL 01/03 | 01.1 | 1090Z | JUL 01/03 | 01.1 |
| 1088M | JUL 01/03 | 01.1 | 1091 | JUL 01/03 | 01.1 |
| 1088N | JUL 01/03 | 01.1 | 1092 | JUL 01/03 | 01.1 |
| 1088O | JUL 01/03 | 01.1 | 1092A | JUL 01/03 | 01.1 |
| 1088P | JUL 01/03 | 01.1 | 1092B | JUL 01/03 | 01.1 |
| 1088Q | JUL 01/03 | 01.1 | 1092C | JUL 01/03 | 01.1 |
| 1088R | JUL 01/03 | 01.1 | 1092D | JUL 01/03 | 01.1 |
| 1088S | JUL 01/03 | 01.1 | 1092E | JUL 01/03 | 01.1 |
| 1088T | JUL 01/03 | 01.1 | 1092F | JUL 01/03 | 01.1 |

* = REVISED, ADDED OR DELETED

57-43-37

EFFECTIVE PAGES
 CONTINUED Page 8
 01 Jul 01/04

| PAGE | DATE | CODE | PAGE | DATE | CODE |
|------------------------|-----------|-------|------------------------|-----------|-------|
| ILLUSTRATED PARTS LIST | | CONT. | ILLUSTRATED PARTS LIST | | CONT. |
| 1092G | JUL 01/03 | 01.1 | 1094U | JUL 01/03 | 01.1 |
| 1092H | JUL 01/03 | 01.1 | 1094V | JUL 01/03 | 01.1 |
| 1092I | JUL 01/03 | 01.1 | 1094W | JUL 01/03 | 01.1 |
| 1092J | JUL 01/03 | 01.1 | 1094X | JUL 01/03 | 01.1 |
| 1092K | JUL 01/03 | 01.1 | 1094Y | JUL 01/03 | 01.1 |
| 1092L | JUL 01/03 | 01.1 | 1094Z | JUL 01/03 | 01.1 |
| 1092M | JUL 01/03 | 01.1 | 1095 | JUL 01/03 | 01.1 |
| 1092N | JUL 01/03 | 01.1 | 1096 | JUL 01/03 | 01.1 |
| 1092O | JUL 01/03 | 01.1 | 1096A | JUL 01/03 | 01.1 |
| 1092P | JUL 01/03 | 01.1 | 1096B | JUL 01/03 | 01.1 |
| 1092Q | JUL 01/03 | 01.1 | 1096C | JUL 01/03 | 01.1 |
| 1092R | JUL 01/03 | 01.1 | 1096D | JUL 01/03 | 01.1 |
| 1092S | JUL 01/03 | 01.1 | 1096E | JUL 01/03 | 01.1 |
| 1092T | JUL 01/03 | 01.1 | 1096F | JUL 01/03 | 01.1 |
| 1092U | JUL 01/03 | 01.1 | 1096G | JUL 01/03 | 01.1 |
| 1092V | JUL 01/03 | 01.1 | 1096H | JUL 01/03 | 01.1 |
| 1092W | JUL 01/03 | 01.1 | 1096I | JUL 01/03 | 01.1 |
| 1092X | JUL 01/03 | 01.1 | 1096J | JUL 01/03 | 01.1 |
| 1092Y | JUL 01/03 | 01.1 | 1096K | JUL 01/03 | 01.1 |
| 1092Z | JUL 01/03 | 01.1 | 1096L | JUL 01/03 | 01.1 |
| 1093 | JUL 01/03 | 01.1 | 1096M | JUL 01/03 | 01.1 |
| 1094 | JUL 01/03 | 01.1 | 1096N | JUL 01/03 | 01.1 |
| 1094A | JUL 01/03 | 01.1 | 1096O | JUL 01/03 | 01.1 |
| 1094B | JUL 01/03 | 01.1 | 1096P | JUL 01/03 | 01.1 |
| 1094C | JUL 01/03 | 01.1 | 1096Q | JUL 01/03 | 01.1 |
| 1094D | JUL 01/03 | 01.1 | 1096R | JUL 01/03 | 01.1 |
| 1094E | JUL 01/03 | 01.1 | 1096S | JUL 01/03 | 01.1 |
| 1094F | JUL 01/03 | 01.1 | 1096T | JUL 01/03 | 01.1 |
| 1094G | JUL 01/03 | 01.1 | 1096U | JUL 01/03 | 01.1 |
| 1094H | JUL 01/03 | 01.1 | 1096V | JUL 01/03 | 01.1 |
| 1094I | JUL 01/03 | 01.1 | 1096W | JUL 01/03 | 01.1 |
| 1094J | JUL 01/03 | 01.1 | 1096X | JUL 01/03 | 01.1 |
| 1094K | JUL 01/03 | 01.1 | 1096Y | JUL 01/03 | 01.1 |
| 1094L | JUL 01/03 | 01.1 | 1096Z | JUL 01/03 | 01.1 |
| 1094M | JUL 01/03 | 01.1 | 1097 | JUL 01/03 | 01.1 |
| 1094N | JUL 01/03 | 01.1 | 1098 | JUL 01/03 | 01.1 |
| 1094O | JUL 01/03 | 01.1 | 1098A | JUL 01/03 | 01.1 |
| 1094P | JUL 01/03 | 01.1 | 1098B | JUL 01/03 | 01.1 |
| 1094Q | JUL 01/03 | 01.1 | 1098C | JUL 01/03 | 01.1 |
| 1094R | JUL 01/03 | 01.1 | 1098D | JUL 01/03 | 01.1 |
| 1094S | JUL 01/03 | 01.1 | 1098E | JUL 01/03 | 01.1 |
| 1094T | JUL 01/03 | 01.1 | 1098F | JUL 01/03 | 01.1 |

* = REVISED, ADDED OR DELETED

57-43-37

EFFECTIVE PAGES
 CONTINUED Page 9
 01 Jul 01/04

| PAGE | DATE | CODE | PAGE | DATE | CODE |
|------------------------|-----------|-------|------------------------|-----------|-------|
| ILLUSTRATED PARTS LIST | | CONT. | ILLUSTRATED PARTS LIST | | CONT. |
| 1098G | JUL 01/03 | 01.1 | 1100U | JUL 01/03 | 01.1 |
| 1098H | JUL 01/03 | 01.1 | 1100V | JUL 01/03 | 01.1 |
| 1098I | JUL 01/03 | 01.1 | 1100W | JUL 01/03 | 01.1 |
| 1098J | JUL 01/03 | 01.1 | 1100X | JUL 01/03 | 01.1 |
| 1098K | JUL 01/03 | 01.1 | 1100Y | JUL 01/03 | 01.1 |
| 1098L | JUL 01/03 | 01.1 | 1100Z | JUL 01/03 | 01.1 |
| 1098M | JUL 01/03 | 01.1 | 1101 | JUL 01/03 | 01.1 |
| 1098N | JUL 01/03 | 01.1 | 1102 | JUL 01/03 | 01.1 |
| 1098O | JUL 01/03 | 01.1 | 1102A | JUL 01/03 | 01.1 |
| 1098P | JUL 01/03 | 01.1 | 1102B | JUL 01/03 | 01.1 |
| 1098Q | JUL 01/03 | 01.1 | 1102C | JUL 01/03 | 01.1 |
| 1098R | JUL 01/03 | 01.1 | 1102D | JUL 01/03 | 01.1 |
| 1098S | JUL 01/03 | 01.1 | 1102E | JUL 01/03 | 01.1 |
| 1098T | JUL 01/03 | 01.1 | 1102F | JUL 01/03 | 01.1 |
| 1098U | JUL 01/03 | 01.1 | 1102G | JUL 01/03 | 01.1 |
| 1098V | JUL 01/03 | 01.1 | 1102H | JUL 01/03 | 01.1 |
| 1098W | JUL 01/03 | 01.1 | 1102I | JUL 01/03 | 01.1 |
| 1098X | JUL 01/03 | 01.1 | 1102J | JUL 01/03 | 01.1 |
| 1098Y | JUL 01/03 | 01.1 | 1102K | JUL 01/03 | 01.1 |
| 1098Z | JUL 01/03 | 01.1 | 1102L | JUL 01/03 | 01.1 |
| 1099 | JUL 01/03 | 01.1 | 1102M | JUL 01/03 | 01.1 |
| 1100 | JUL 01/03 | 01.1 | 1102N | JUL 01/03 | 01.1 |
| 1100A | JUL 01/03 | 01.1 | 1102O | JUL 01/03 | 01.1 |
| 1100B | JUL 01/03 | 01.1 | 1102P | JUL 01/03 | 01.1 |
| 1100C | JUL 01/03 | 01.1 | 1102Q | JUL 01/03 | 01.1 |
| 1100D | JUL 01/03 | 01.1 | 1102R | JUL 01/03 | 01.1 |
| 1100E | JUL 01/03 | 01.1 | 1102S | JUL 01/03 | 01.1 |
| 1100F | BLANK | | 1102T | JUL 01/03 | 01.1 |
| 1100G | JUL 01/03 | 01.1 | 1102U | JUL 01/03 | 01.1 |
| 1100H | JUL 01/03 | 01.1 | 1102V | JUL 01/03 | 01.1 |
| 1100I | JUL 01/03 | 01.1 | 1102W | JUL 01/03 | 01.1 |
| 1100J | JUL 01/03 | 01.1 | 1102X | JUL 01/03 | 01.1 |
| 1100K | JUL 01/03 | 01.1 | 1102Y | JUL 01/03 | 01.1 |
| 1100L | JUL 01/03 | 01.1 | 1102Z | JUL 01/03 | 01.1 |
| 1100M | JUL 01/03 | 01.1 | 1103 | JUL 01/03 | 01.1 |
| 1100N | JUL 01/03 | 01.1 | 1104 | JUL 01/03 | 01.1 |
| 1100O | JUL 01/03 | 01.1 | 1104A | JUL 01/03 | 01.1 |
| 1100P | JUL 01/03 | 01.1 | 1104B | JUL 01/03 | 01.1 |
| 1100Q | JUL 01/03 | 01.1 | 1104C | JUL 01/03 | 01.1 |
| 1100R | JUL 01/03 | 01.1 | 1104D | JUL 01/03 | 01.1 |
| 1100S | JUL 01/03 | 01.1 | 1104E | JUL 01/03 | 01.1 |
| 1100T | JUL 01/03 | 01.1 | 1104F | JUL 01/03 | 01.1 |

* = REVISED, ADDED OR DELETED

57-43-37

EFFECTIVE PAGES
 CONTINUED Page 10
 01 Jul 01/04

015T0165
015T1507
114T3100
DASH NUMBERS LIMITED



| PAGE | DATE | CODE | PAGE | DATE | CODE |
|------------------------|-----------|-------|------|------|------|
| ILLUSTRATED PARTS LIST | | CONT. | | | |
| 1104G | JUL 01/03 | 01.1 | | | |
| 1104H | JUL 01/03 | 01.1 | | | |
| 1104I | JUL 01/03 | 01.1 | | | |
| 1104J | JUL 01/03 | 01.1 | | | |
| 1104K | JUL 01/03 | 01.1 | | | |
| 1104L | JUL 01/03 | 01.1 | | | |

* = REVISED, ADDED OR DELETED

57-43-37

EFFECTIVE PAGES
LAST PAGE Page 11
01 Jul 01/04

015T0165
015T1507
114T3100
DASH NUMBERS LIMITED



TABLE OF CONTENTS

| <u>Paragraph Title</u> | <u>Page</u> |
|---|-------------|
| Description and Operation | 1 |
| Testing and Trouble Shooting (not applicable) | |
| Disassembly | 301 |
| Cleaning. | 401 |
| Check | 501 |
| Repair. | 601 |
| Assembly | 701 |
| Fits and Clearances | 801 |
| Special Tools | 901 |
| Illustrated Parts List. | 1001 |

57-43-37
CONTENTS
Page 1
Jun 01/97

01.1

INTRODUCTION

The instructions in this manual provide the information necessary to perform maintenance functions ranging from simple checks and replacement to complete shop-type repair.

This manual is divided into separate sections:

- | | |
|--|------------------------------|
| 1. Title Page | 4. List of Effective Pages |
| 2. Record of Revisions | 5. Table of Contents |
| 3. Temporary Revision & Service Bulletin Record | 6. Introduction |
| | 7. Procedures & IPL Sections |

Refer to the Table of Contents for the page location of applicable sections. An asterisked flagnote *[] in place of the page number indicates that no special instructions are provided since the function can be performed using standard industry practices.

The beginning of the REPAIR section includes a list of the separate repairs, a list of applicable standard Boeing practices, and an explanation of the True Position Dimensioning symbols used.

An explanation of the use of the Illustrated Parts List is provided in the Introduction to that section.

All weights and measurements used in the manual are in English units, unless otherwise stated. When metric equivalents are given they will be in parentheses following the English units.

Design changes, optional parts, configuration differences and Service Bulletin modifications create alternate part numbers. These are identified in the Illustrated Parts List (IPL) by adding an alphabetical character to the basic item number. The resulting item number is called an alpha-variant. Throughout the manual, IPL basic item number references also apply to alpha-variants unless otherwise indicated.

57-43-37

INTRODUCTION

01.1

Page 1

Jun 01/97

WING LEADING EDGE INBOARD SLAT STRUCTURE ASSEMBLY
DESCRIPTION AND OPERATION

1. Description

A. The wing leading edge inboard slat structure assembly consists of seal installations, panel assemblies, rib assemblies, a nose beam assembly and a trailing edge wedge assembly.

2. Operation

A. The wing leading edge inboard slat structure is a movable auxiliary airfoil attached to the wing leading edge. The slat moves in coordination with the flaps. When the slat is not activated, it forms part of the normal contour of the wing. When the slat is activated, the basic air foil shape of the wing is changed. This change in air foil shape causes a change in the pressure distribution over the wing which results in increased lift.

3. Leading Particulars (Approximate)

Length -- 200 inches
Width -- 23 inches
Thickness -- 9 inches
Weight -- 151 pounds (each)

57-43-37

DESCRIPTION & OPERATION

01.1

Page 1

Jul 01/99

015T0165
015T1507
114T3100
DASH NUMBERS LIMITED



DISASSEMBLY

1. Disassemble this component only as necessary to complete fault isolation, determine the serviceability of parts, perform required repairs, and restore the unit to serviceable condition.
2. Use standard industry practices for disassembly of this component.

57-43-37

DISASSEMBLY

01.1

Page 301

Jun 01/97

CLEANING

CAUTION: DO NOT VAPOR DEGREASE GRAPHITE/ARAMID EPOXY STRUCTURES WITH CHLORINATED CLEANING AGENTS SUCH AS METHYLENE CHLORIDE, TRICHLOROETHYLENE, AND TRICHLOROETHANE. CHLORINATED CLEANING AGENTS WILL CAUSE DAMAGE TO GRAPHITE/ARAMID EPOXY STRUCTURES.

1,1,1-TRICHLOROETHANE IS ONE OF THE SOLVENTS ALLOWED FOR CLEANING COMPOSITE COMPONENTS. DO NOT SUBMERGE PARTS IN THE SOLVENT OR ALLOW STANDING SOLVENT ON THE PARTS OR DAMAGE MAY OCCUR. USE 1,1,1-TRICHLOROETHANE ONLY AS A WIPE SOLVENT.

1. Clean all parts in accordance with standard industry practices (Ref 20-30-03) except for graphite/aramid epoxy structures.

57-43-37

CLEANING
Page 401
Jul 01/04

01.1

CHECK

1. Examine all parts for defects by standard industry practices. Do the magnetic particle check and penetrant check only if the visual check finds possible defects.
2. Magnetic particle check per SOPM 20-20-01 -- Bolt (952, IPL Fig. 2), external nut (230, IPL Fig. 2), internal nut (245, IPL Fig. 2), and housing (255).
3. Penetrant check per SOPM 20-20-02:
 - A. Arm (270, 272, 274, 276, 466, 468, 470, 472, 670, 672, 674, 676, IPL Fig. 1) and rib (244, 244F, 246, 246F, 314, 316, 440, 440F, 442, 442F, 510, 512, 644A, 644G, 646A, 646G, 720, 722A, IPL Fig. 1).
 - B. Rib (90, 95, 170, 175, 285, 290, 365, 370, 430, 435, IPL Fig. 2).
4. Do a visual check of the honeycomb and the bonded parts for signs of delamination, internal water, scratches, and contour defects.
 - A. If you see delamination or impact damage, do an ultrasonic inspection or do a tap test to find all of the damage.

NOTE: For the tap test, use a solid metal disk and tap the surface area lightly but firmly. A dull sound indicates a void area. A sharp ringing sound indicates a solid bonded area. Refer to the 767 Nondestructive Test Manual, Part 1, 51-05-01.
 - B. For areas that you suspect contain water, examine them radiographically as specified in the 767 Nondestructive Test Manual, Part 2, 51-00-01, or by thermography as specified in the 767 Nondestructive Test Manual, Part 9, 51-00-01.
 - C. Examine edges of panel carefully for cuts and abrasions. Delamination starts very easily from damage to an exposed edge of honeycomb panel.
5. Refer to 767 Structural Repair Manual, 57-43-00, for allowable damage data.
6. Spring (25, IPL Fig. 3) check:
 - A. Free length of spring is 2.7 inches.
 - B. Compress spring to 1.03 inches and check that load is 24.86-20.34 pounds.
 - C. Compress spring to 1.18 inches and check that load is 22.06-18.54 pounds.

57-43-37

CHECK

01.1

Page 501

Jul 01/99

REPAIR – GENERAL

1. Contents

- A. Repair, refinish, and replacement procedures as applicable, are included in separate repair sections as follows:

| <u>P/N</u> | <u>NAME</u> | <u>REPAIR</u> |
|------------|------------------|---------------|
| 114T3157 | RIB AND ARM ASSY | 1-1 |
| 114T3147 | RIB ASSY | 2-1 |
| 114T3180 | RIB ASSY | 3-1 |
| 114T3400 | ARM ASSY | 4-1 |
| 114T3172 | RIB ASSY | 5-1 |
| 114T3142 | RIB ASSY | 6-1 |
| 114T3179 | RIB ASSY | 7-1 |
| 114T3171 | RIB ASSY | 8-1 |
| 114T3135 | RIB ASSY | 9-1 |
| 114T3178 | RIB ASSY | 10-1 |
| 114T3170 | RIB ASSY | 11-1 |
| 114T3148 | RIB ASSY | 12-1 |
| 114T3141 | RIB ASSY | 13-1 |
| 114T3134 | RIB ASSY | 14-1 |
| 114T3155 | BEARING ASSY | 15-1 |
| 114T3146 | RIB ASSY | 16-1 |

57-43-37

REPAIR-GENERAL

01.1

Page 601

Jun 01/97

| <u>P/N</u> | <u>NAME</u> | <u>REPAIR</u> |
|---------------|--|---------------|
| 114T313 -- | MISCELLANEOUS PARTS REFINISH | 18-1 |
| 114T3100 | INBD SLAT NO. 6, 7 STRUCTURE ASSEMBLY | 19-1 |

2. Standard Practices

- 20-10-06 Repair of Conductive Coatings
- 20-30-01 Cleaning and Relubricating Antifriction Bearings
- 20-30-02 Stripping of Protective Finishes
- 20-30-03 General Cleaning Procedures
- 20-41-01 Decoding Table for Boeing Finish Codes
- 20-41-02 Application of Chemical and Solvent Resistant Finishes
- 20-42-02 Low Hydrogen Embrittlement Cadmium-Titanium Alloy Plating
- 20-42-05 Bright Cadmium Plating
- 20-43-01 Chromic Acid Anodizing
- 20-43-03 Chemical Conversion Coatings for Aluminum
- 20-50-03 Bearing Installation and Retention
- 20-60-02 Finishing Materials
- 20-60-04 Miscellaneous Materials

3. Materials

NOTE: Equivalent substitutes can be used.

- A. Coating, conductive -- BMS 10-21, type 3 (Ref 20-60-02)
- B. Conditioner, static -- Dexter 28-C-1 (Ref 20-60-02)
- C. Enamel -- BMS 10-60, BAC 707 gray gloss (Ref 20-60-02)
- D. Primer -- BMS 10-11, type 1 (Ref 20-60-02)

57-43-37

REPAIR-GENERAL

01.1

Page 602

Jun 01/97

- E. Primer -- BMS 10-79, type 2 (Ref 20-60-02)
- F. Sealant -- BMS 5-95, class B (Ref 20-60-04)
- G. Surfacer -- Epocast 156 (Ref 20-60-02)
- H. Surfacer -- Dexter 8-W-5 (Ref 20-60-02)

4. Dimensioning Symbols

- A. Standard True Positioning Dimensioning Symbols used in applicable Repair procedures are shown in Fig. 601.

57-43-37

REPAIR-GENERAL

01.1

Page 603

Jun 01/97

| | | | |
|----|----------------------------------|----------------|---|
| — | STRAIGHTNESS | ⊕ | THEORETICAL EXACT POSITION OF A FEATURE (TRUE POSITION) |
| ▭ | FLATNESS | ∅ | DIAMETER |
| ⊥ | PERPENDICULARITY (OR SQUARENESS) | S ∅ | SPHERICAL DIAMETER |
| // | PARALLELISM | R | RADIUS |
| ○ | ROUNDNESS | SR | SPHERICAL RADIUS |
| ⊙ | CYLINDRICITY | () | REFERENCE |
| ⌒ | PROFILE OF A LINE | BASIC (BSC) OR | A THEORETICALLY EXACT DIMENSION USED TO DESCRIBE SIZE, SHAPE OR LOCATION OF A FEATURE FROM WHICH PERMISSIBLE VARIATIONS ARE ESTABLISHED BY TOLERANCES ON OTHER DIMENSIONS OR NOTES. |
| △ | PROFILE OF A SURFACE | DIM | |
| ◎ | CONCENTRICITY | -A- | DATUM |
| ≡ | SYMMETRY | Ⓜ | MAXIMUM MATERIAL CONDITION (MMC) |
| ∠ | ANGULARITY | Ⓛ | LEAST MATERIAL CONDITION (LMC) |
| ↗ | RUNOUT | Ⓢ | REGARDLESS OF FEATURE SIZE (RFS) |
| ↗↗ | TOTAL RUNOUT | Ⓟ | PROJECTED TOLERANCE ZONE |
| ⊏ | COUNTERBORE OR SPOTFACE | FIM | FULL INDICATOR MOVEMENT |
| ∇ | COUNTERSINK | | |

EXAMPLES

| | | | |
|---|--|--------|---|
| | STRAIGHT WITHIN 0.002 | | CONCENTRIC TO C WITHIN 0.0005 DIAMETER |
| | PERPENDICULAR TO B WITHIN 0.002 | | SYMMETRICAL WITH A WITHIN 0.010 |
| | PARALLEL TO A WITHIN 0.002 | | ANGULAR TOLERANCE 0.005 WITH A |
| | ROUND WITHIN 0.002 | | LOCATED AT TRUE POSITION WITHIN 0.002 DIA RELATIVE TO DATUM B, REGARDLESS OF FEATURE SIZE |
| | CYLINDRICAL SURFACE MUST LIE BETWEEN TWO CONCENTRIC CYLINDERS, ONE OF WHICH HAS A RADIUS 0.010 INCH GREATER THAN THE OTHER | | AXIS IS TOTALLY WITHIN A CYLINDER OF 0.010-INCH DIAMETER, PERPENDICULAR TO, AND EXTENDING 0.510-INCH ABOVE, DATUM A, MAXIMUM MATERIAL CONDITION |
| | EACH LINE ELEMENT OF THE SURFACE AT ANY CROSS SECTION MUST LIE BETWEEN TWO PROFILE BOUNDARIES 0.006 INCH APART RELATIVE TO DATUM PLANE A | | THEORETICALLY EXACT DIMENSION IS 2.000 |
| | SURFACES MUST LIE WITHIN PARALLEL BOUNDARIES 0.02 INCH APART AND EQUALLY DISPOSED ABOUT TRUE PROFILE | OR | |
| NOTE: DATUM MAY APPEAR AT EITHER SIDE OF TOLERANCE FRAME | | | |

True Position Dimensioning Symbols
 Figure 601

57-43-37

REPAIR-GENERAL

01.1

Page 604

Jun 01/97

RIB AND ARM ASSEMBLY - REPAIR 1-1

114T3157-13 thru -24

NOTE: Refer to REPAIR-GEN for list of applicable standard practices.

1. Bushing (234,236,420,422,624,626) Replacement (IPL Fig. 1)
 - A. Remove bushings.
 - B. Install bushings per 20-50-03 with wet BMS 5-95 sealant.
 - C. Machine bushings per Fig. 601.

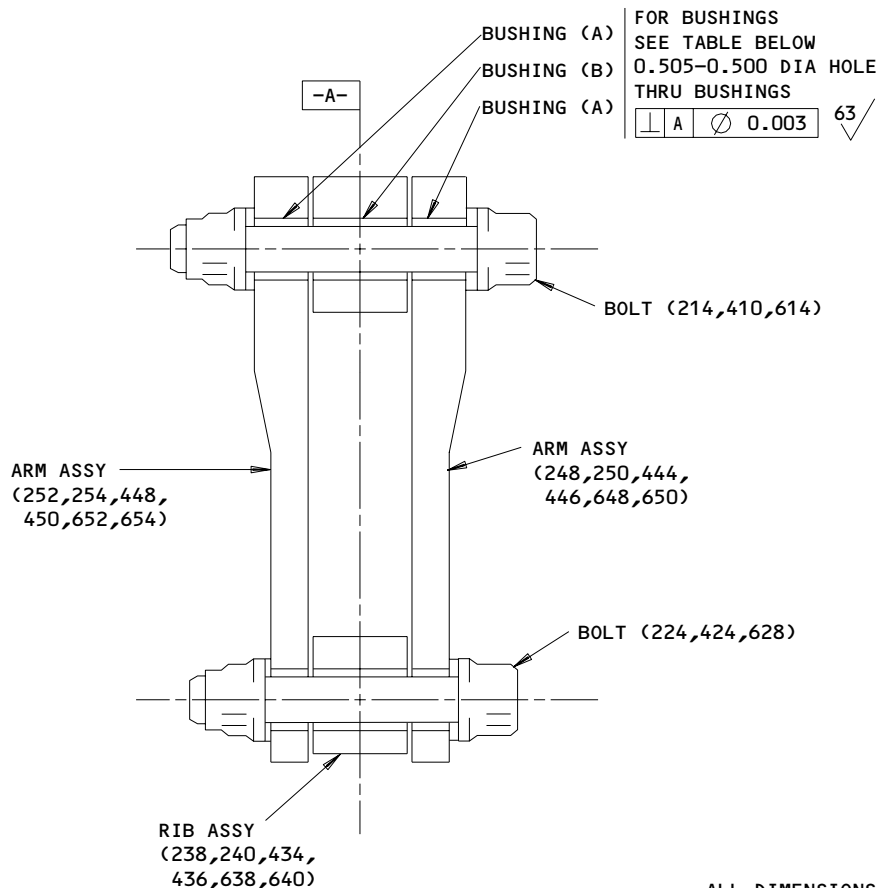
57-43-37

REPAIR 1-1

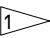
01.1

Page 601

Jun 01/97



ALL DIMENSIONS ARE IN INCHES

| BUSHING | RIB AND ARM ASSEMBLY (ITEM) | | | | | | | | | | | |
|--|-----------------------------|--------|-------|--------|-------|--------|-------|--------|-------|--------|-------|--------|
| | (192) | (192F) | (194) | (194F) | (392) | (392F) | (394) | (394F) | (584) | (584F) | (586) | (586F) |
| (A) ITEM | (234) | (234) | (234) | (234) | (420) | (420) | (420) | (420) | (624) | (624) | (624) | (624) |
|  (B) ITEM | (236) | (236) | (236) | (236) | (422) | (422) | (422) | (422) | (626) | (626) | (626) | (626) |

 AFTER REAMING CHAMFER ON INSIDE DIAMETER FROM 0.015 TO 0.005 INCH BY 45 DEGREES BOTH SIDES

Bushing Usage

114T3157
Bushing Replacement
Figure 601

57-43-37

REPAIR 1-1

Page 602

Jun 01/97

01.1

RIB ASSEMBLY – REPAIR 2-1

114T3147-1, -2

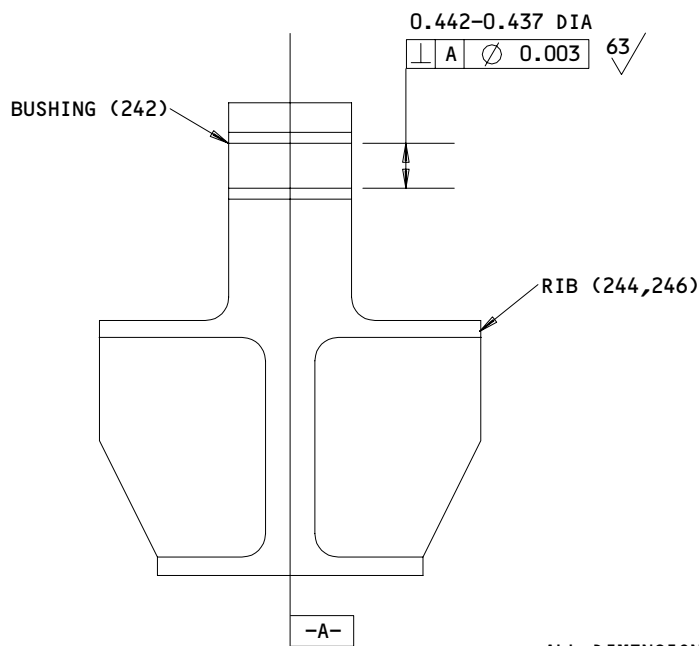
NOTE: Refer to REPAIR – GENERAL for a list of applicable standard practices.

1. Bushing (242) Replacement (IPL Fig. 1)

- A. Remove bushing.
- B. Install bushing per 20-50-03 with wet BMS 5-95 sealant.
- C. Machine bushing per Fig. 601.

2. Refinish

- A. Rib (244, 246)-- Anodize (F-17.04 or F-17.31) and apply one layer of BMS 10-11, Type 1 primer (F-20.02), except do not apply primer in the holes for the bushings. Optional: For bushing holes and touch-up of small areas of bare metal, apply colored chemical coating (F-17.10) instead of anodize. Material: Al alloy.



ALL DIMENSIONS ARE IN INCHES

114T3147
Bushing Replacement
Figure 601

RIB ASSEMBLY – REPAIR 3-1

114T3180-1, -2

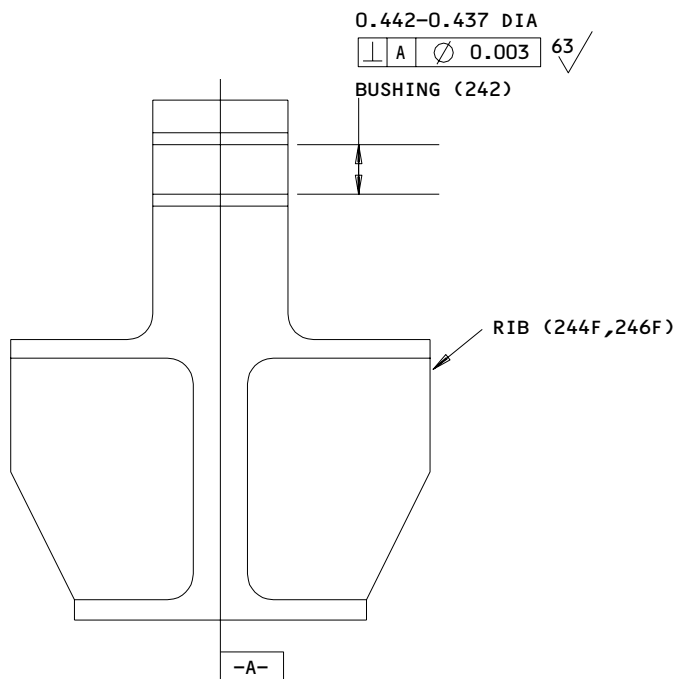
NOTE: Refer to REPAIR – GENERAL for a list of applicable standard practices.

1. Bushing (242) Replacement (IPL Fig. 1)

- A. Remove bushing.
- B. Install bushing per 20-50-03 with wet BMS 5-95 sealant.
- C. Machine bushing per Fig. 601.

2. Refinish

- A. Rib (244F, 246F) -- Anodize (F-17.04 or F-17.31) and apply one layer of BMS 10-11, type 1 primer (F-20.02), except do not apply primer in the holes for the bushings. Optional: For bushing holes and touch-up of small areas of bare metal, apply colored chemical coating (F-17.10) instead of anodize. Material: Al alloy.



ALL DIMENSIONS ARE IN INCHES

114T3180
Bushing Replacement
Figure 601

57-43-37

REPAIR 3-1

01.1

Page 601

Jul 01/04

ARM ASSEMBLY – REPAIR 4-1

114T3400-29 thru -40

NOTE: Refer to REPAIR – GENERAL for a list of applicable standard practices.

1. Bushing (266, 462, 666) Replacement (IPL Fig. 1)

- A. Remove bushings.
- B. Install bushings per 20-50-03 with wet BMS 5-95 sealant. Remove squeeze-out with a plastic or wooden tool or a clean cloth dampened with solvent. Fill the space between the bushing flange and the rub plate with BMS 5-95 sealant as shown in Fig. 601.
- C. Machine I.D. of bushings to 0.500-0.505 inch. Surface roughness to be 63 micro inch.

2. Bushing (268A, 464, 668A) Replacement

- A. Remove bushings
- B. Install bushings per 20-50-03 with wet BMS 5-95 sealant.
- C. Machine I.D. of bushings to 0.437-0.442 inch. Surface roughness to be 63 micro inch.

3. Rub Plate (264, 460, 656, IPL Fig. 1) Replacement

- A. Remove the rub plates.
- B. Fay surface seal between the new rub plates and the rib with BMS 5-95 sealant as specified by SOPM 20-50-19 and install the bolts with BMS 5-95 sealant as shown in Fig. 601.

57-43-37

REPAIR 4-1

01.1

Page 601

Jul 01/04

- C. Fill the space between the bushing flanges and the rub plates with BMS 5-95 sealant as shown in Fig. 601.

4. Refinish

- A. Arms (270,272,274,276,466,468,470,472,670,672,674,676) -- Chromic acid anodize, type 1 and apply one coat BMS 10-11, type 1 primer (F-18.13) except in bushing holes. Apply colored chemical coating (F-17.10) in bushing holes. Material: Al alloy.

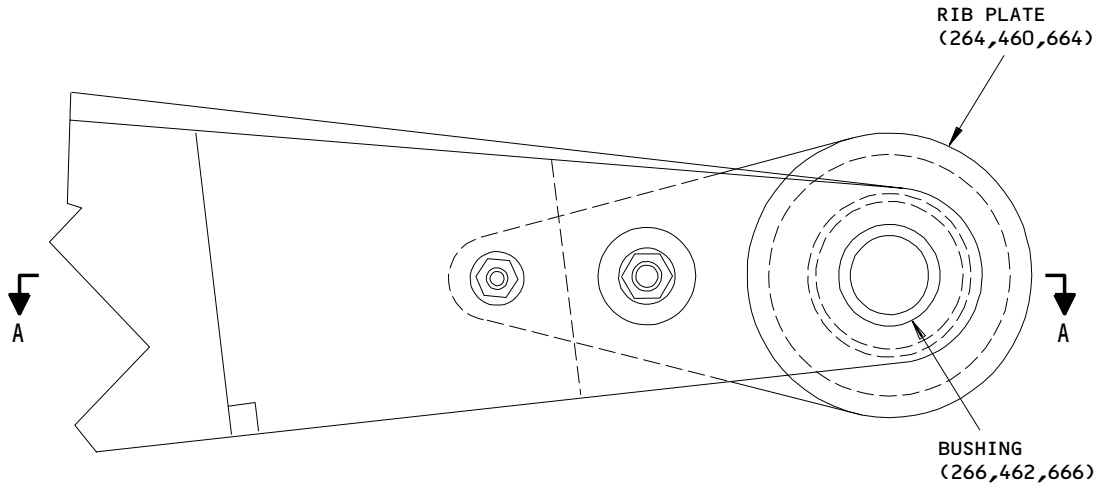
57-43-37

REPAIR 4-1

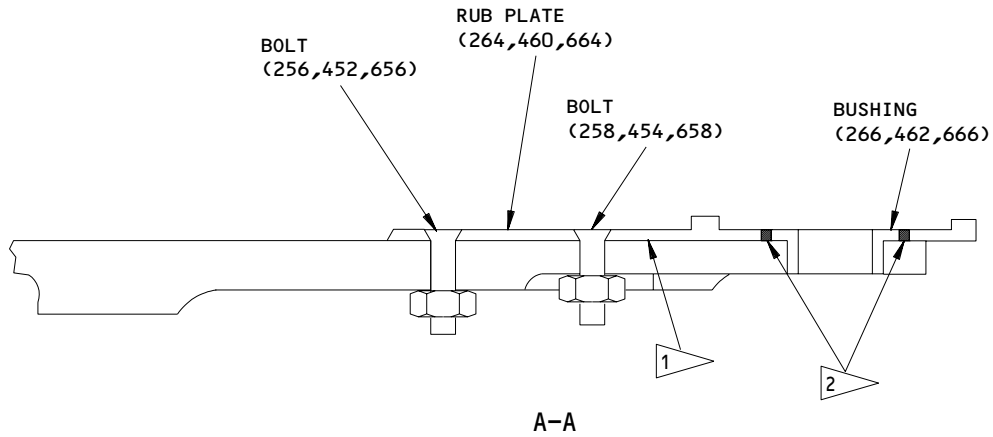
01.1

Page 602

Jul 01/99



114T3400-29 SHOWN



1 FAY SURFACE SEAL BETWEEN RIB AND RUB PLATE

2 FILL SPACE WITH BMS 5-95 SEALANT

ITEM NUMBERS REFER TO IPL FIG. 1

114T3400-29 thru -40
 Arm Assembly Rub Plate and Bushing Replacement
 Figure 601

57-43-37

REPAIR 4-1

Page 603

Jul 01/99

01.1

RIB ASSEMBLY – REPAIR 5-1

114T3172-11 thru -14, -21, -22

NOTE: Refer to REPAIR – GENERAL for a list of applicable standard practices.

1. Bushing (306, IPL Fig. 1, 405, IPL Fig. 5, 245, IPL Fig. 7) Replacement

- A. Remove bushings.
- B. Install bushings per 20-50-03 with wet BMS 5-95 sealant.
- C. Machine bushings per Fig. 601.
- D. Fillet seal entire periphery of bushing flanges using BMS 5-95 sealant and fill the space between the bushing flanges and the rub plates with BMS 5-95 sealant as shown in Fig. 601.

2. Rub Plate (304A, IPL Fig. 1, 400, IPL Fig. 5, 242, IPL Fig. 7) Replacement

- A. Remove the rub plates.
- B. Fay surface seal between the new rub plates and the rib with BMS 5-95 sealant as specified by SOPM 20-50-19 and install the bolts with BMS 5-95 sealant as shown in Fig. 601.
- C. Fill the space between the bushing flanges and the rub plates with BMS 5-95 sealant as shown in Fig. 601.

3. Refinish

- A. Rib (314, 316, IPL Fig. 1, 425, 430, IPL Fig. 5, 257, 260, IPL Fig. 7) -- Anodize (F-17.04 or F-17.31) and apply one layer of BMS 10-11, type 1 primer (F-20.02), except do not apply primer in the holes for the bushings. Optional: For bushing holes and touch-up of small areas of bare metal, apply colored chemical coating (F-17.10) instead of anodize. Material: Al alloy.

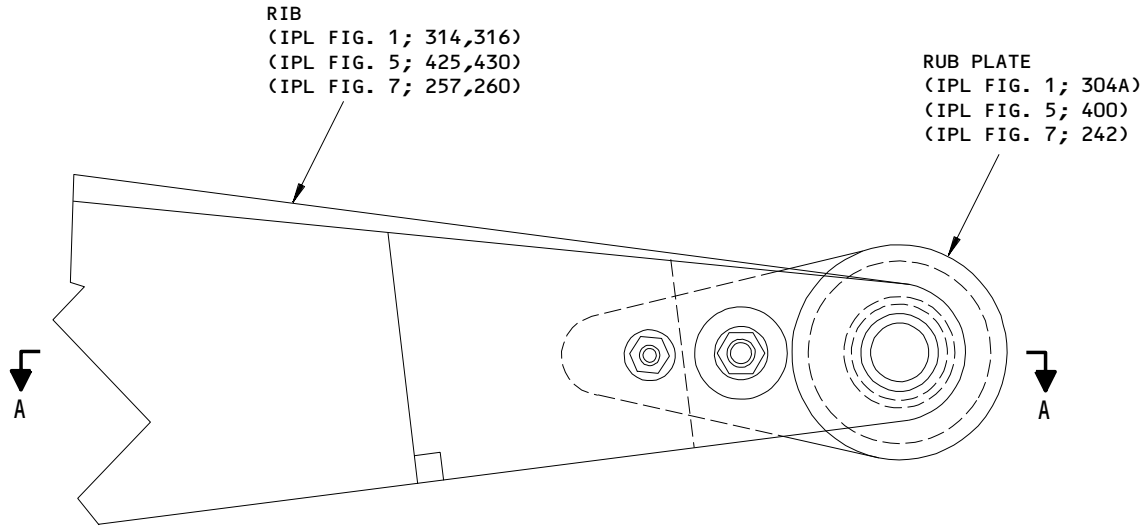
57-43-37

REPAIR 5-1

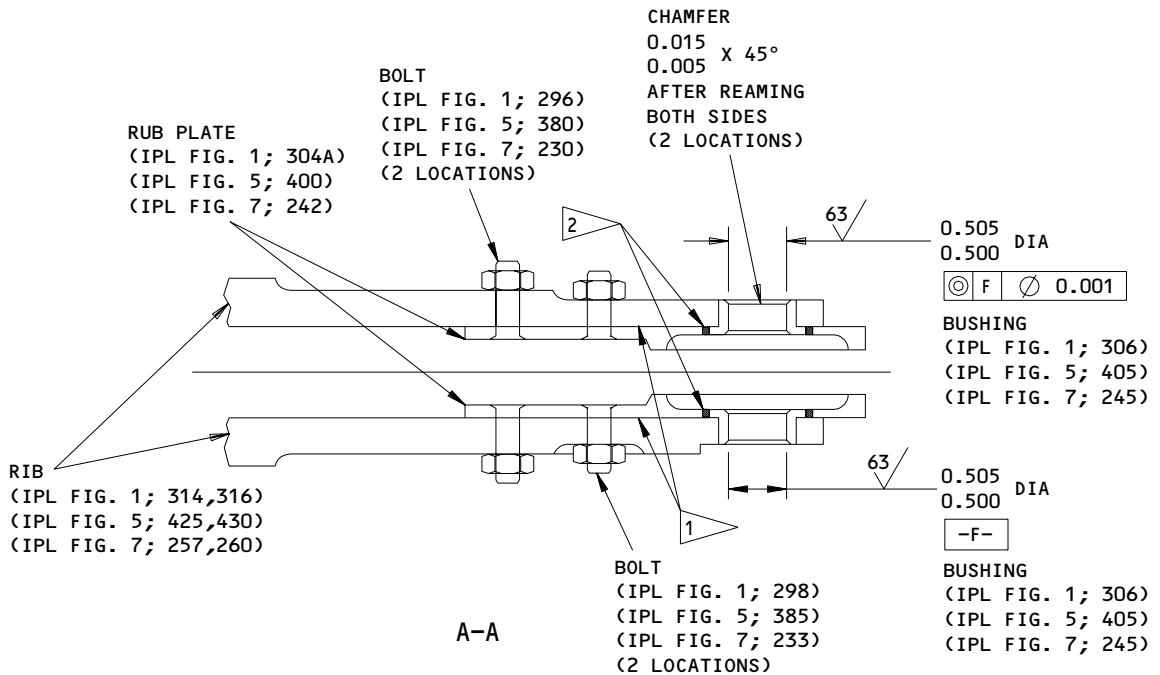
01.1

Page 601

Jul 01/04



114T3172-11 SHOWN



- 1 FAY SURFACE SEAL BETWEEN RIB AND RUB PLATE
- 2 FILL SPACE WITH BMS 5-95 SEALANT

ALL DIMENSIONS ARE IN INCHES

114T3172-11 THRU -14,-21,-22
Rib Assembly Rub Plate and Bushing Replacement
Figure 601

57-43-37
 REPAIR 5-1
 Page 602
 Jul 01/03

01.1

RIB ASSEMBLY – REPAIR 6-1

114T3142-1, -2

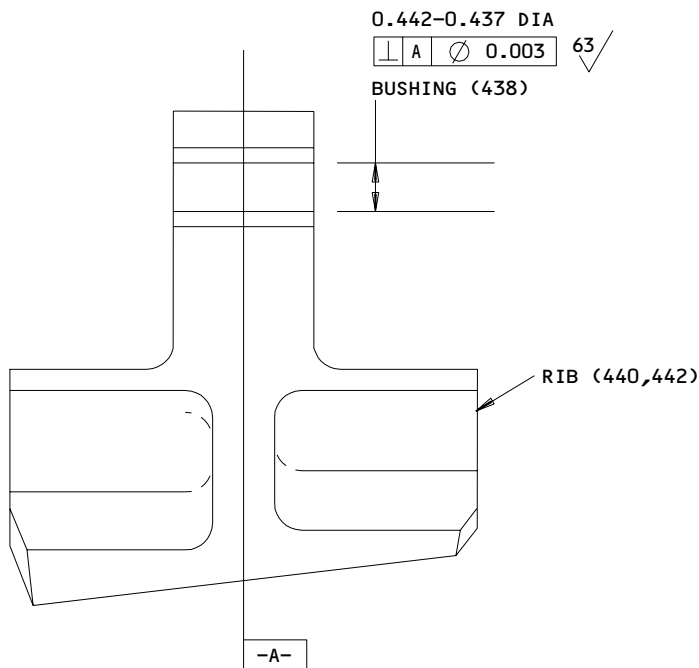
NOTE: Refer to REPAIR – GENERAL for a list of applicable standard practices.

1. Bushing (438) Replacement (IPL Fig. 1)

- A. Remove bushing.
- B. Install bushing per 20-50-03 with wet BMS 5-95 sealant.
- C. Machine bushing per Fig. 601.

2. Refinish

- A. Rib (440, 442) -- Anodize (F-17.04 or F-17.31) and apply one layer of BMS 10-11, Type 1 primer (F-20.02), except do not apply primer in the holes for the bushings. Optional: For bushing holes and touch-up of small areas of bare metal, apply colored chemical coating (F-17.10) instead of anodize. Material: Al alloy.



ALL DIMENSIONS ARE IN INCHES

114T3142
Bushing Replacement
Figure 601

57-43-37

REPAIR 6-1

01.1

Page 601

Jul 01/04

RIB ASSEMBLY – REPAIR 7-1

114T3179-1, -2

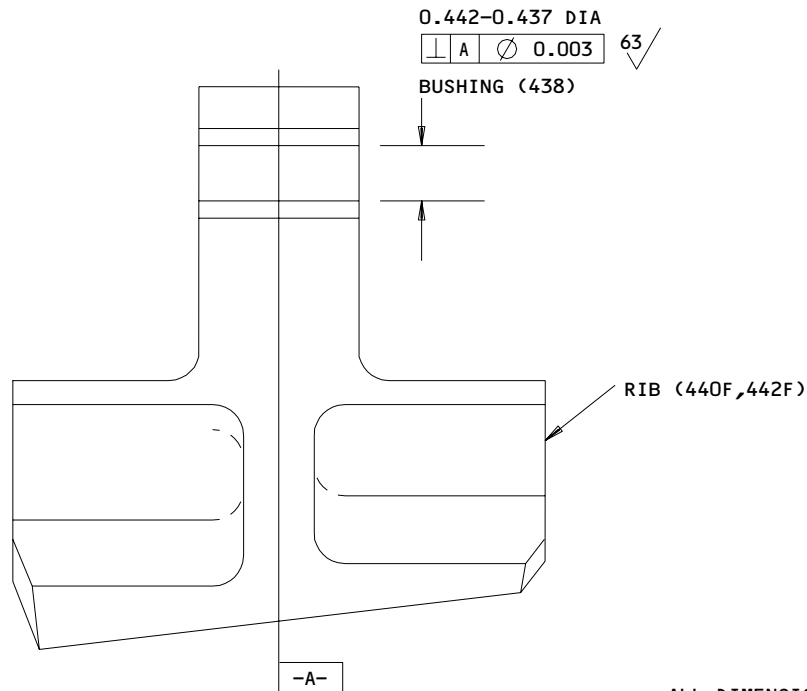
NOTE: Refer to REPAIR – GENERAL for a list of applicable standard practices.

1. Bushing (438) Replacement (IPL Fig. 1)

- A. Remove bushing.
- B. Install bushing per 20-50-03 with wet BMS 5-95 sealant.
- C. Machine bushing per Fig. 601.

2. Refinish

- A. Rib (440F, 442F) -- Anodize (F-17.04 or F-17.31) and apply one layer of BMS 10-11, Type 1 primer (F-20.02), except do not apply primer in the holes for the bushings. Optional: For bushing holes and touch-up of small areas of bare metal, apply colored chemical coating (F-17.10) instead of anodize. Material: Al alloy.



ALL DIMENSIONS ARE IN INCHES

114T3179
Bushing Replacement
Figure 601

57-43-37

REPAIR 7-1

01.1

Page 601

Jul 01/04

RIB ASSEMBLY – REPAIR 8-1

114T3171-9 thru -12, -19, -20, -23, -24, -27, -28, -401, -402

NOTE: Refer to REPAIR – GENERAL for a list of applicable standard practices

1. Bushing (490, IPL Fig. 1, 524, IPL Fig. 5, 338, IPL Fig. 7) Replacement

- A. Remove bushings.
- B. Check hole for damage or corrosion and repair, if necessary, per 2.A.
- C. Install bushings per 20-50-03 with wet BMS 5-95 sealant.
- D. Machine bushings per Fig. 601.
- E. Fillet seal entire periphery of bushing flanges using BMS5-95 sealant and fill the space between the bushing flanges and the rub plates with BMS 5-95 sealant as shown in Fig. 601.

2. Rub Plate (500A, IPL Fig. 1, 534, IPL Fig. 5, 353, IPL Fig. 7) Replacement

- A. Remove the rub plates.
- B. Fay surface seal between the new rub plates and the rib with BMS 5-95 sealant as specified by SOPM 20-50-19 and install the bolts with BMS 5-95 sealant as shown in Fig. 601.
- C. Fill the space between the bushing flanges and the rub plates with BMS 5-95 sealant as shown in Fig. 601.

3. Repair

- A. Repair hole for bushing (490, IPL Fig. 1, 524, IPL Fig. 5, 338, IPL Fig. 7)
 - (1) Machine fitting (510, 512, IPL Fig. 1, 544, 546, IPL Fig. 5, 368, 371, IPL Fig. 7) as required to remove discrepancies, per Fig. 601.
 - (2) Penetrant check per 20-20-02.
 - (3) Shot peen bore per 20-10-03 and fig. 601.
 - (4) Refinish per 3.A
 - (5) Fabricate oversize bushing per fig. 602.

57-43-37

REPAIR 8-1

01.1

Page 601

Jul 01/04

4. Refinish

- A. Rib (510, 512, IPL Fig. 1, 544, 546, IPL Fig. 5, 368, 371, IPL Fig. 7) --
Anodize (F-17.04 or F-17.31) and apply one layer of BMS 10-11, Type 1
primer (F-20.02), except do not apply primer in the holes for the
bushings. Optional: For bushing holes and touch-up of small areas of
bare metal, apply colored chemical coating (F-17.10) instead of anodize.
Material: Al alloy.

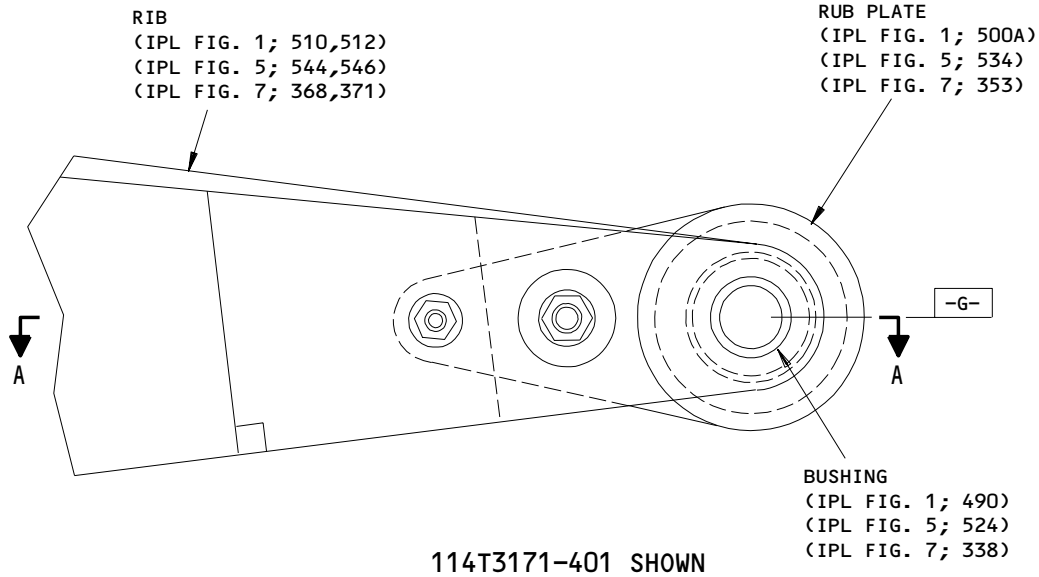
57-43-37

REPAIR 8-1

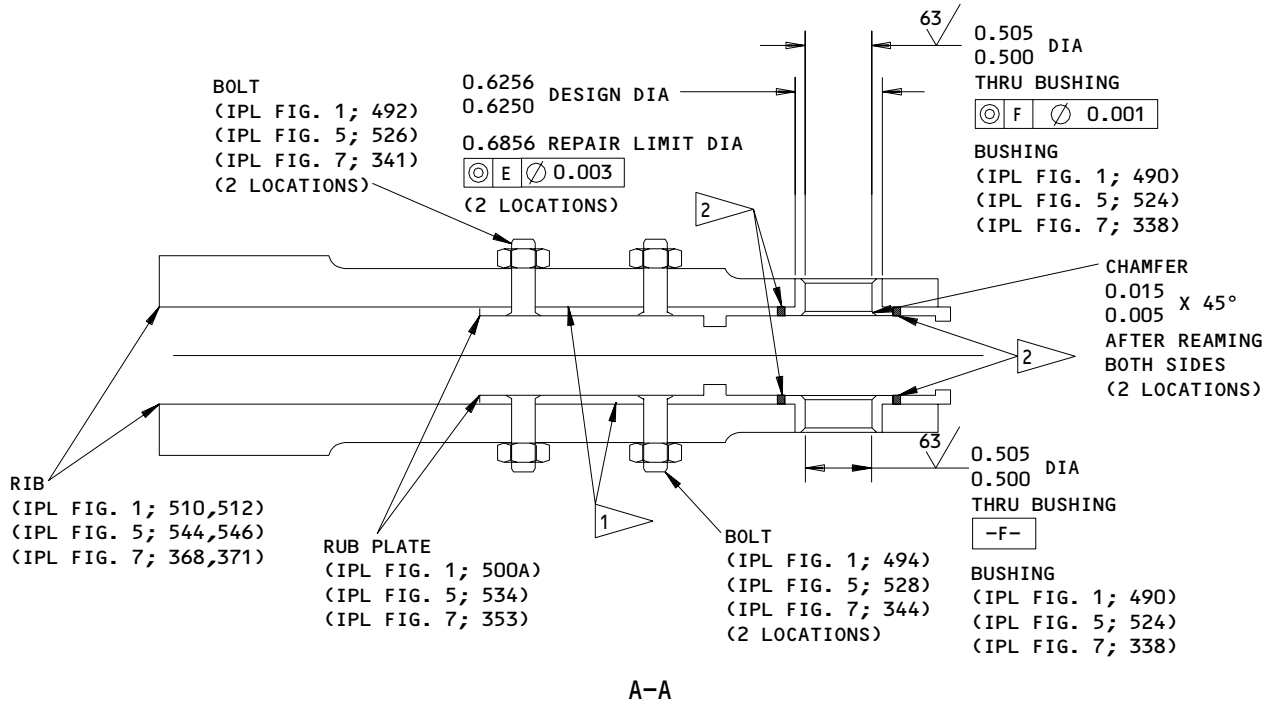
01.1

Page 602

Jul 01/04



114T3171-401 SHOWN

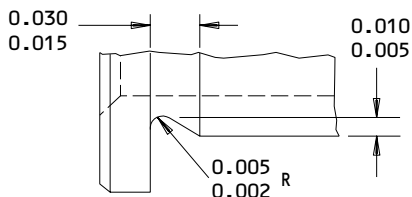
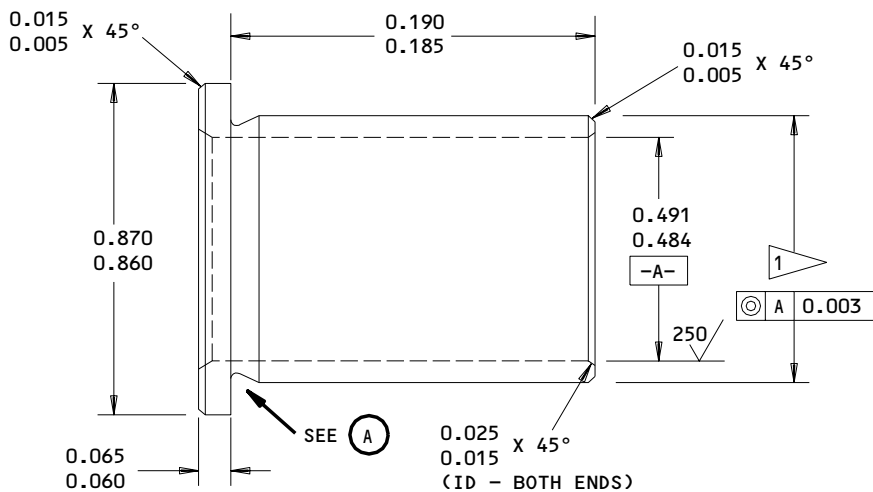


- 1 FAY SURFACE SEAL BETWEEN RIB AND RUB PLATE
- 2 FILL SPACE WITH BMS 5-95 SEALANT

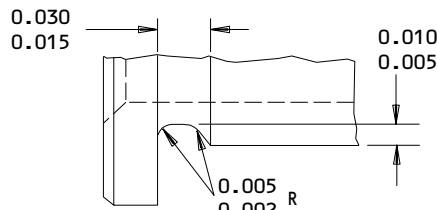
SHOT PEENING: 230-550 SHOT NUMBER
 0.003A-0.005A INTENSITY
 2.0 COVERAGE

MATERIAL: ALUMINUM ALLOY
 ALL DIMENSIONS ARE IN INCHES

114T3171-9 THRU -12,-19,-20,-23,-24,-27,-28,-401,-402
 Rib Assembly Rub Plate and Bushing Replacement
 Figure 601



TYPE 1



TYPE 2

UNDERCUT TYPE 1 OR TYPE 2 OPTIONAL

(A)

1 FINAL BUSHING OUTSIDE DIA EQUALS REPAIR DIA OF FITTING PLUS 0.0005-0.0017 INTERFERENCE

ALL DIMENSIONS ARE IN INCHES

DIMENSIONS APPLY AFTER PLATING

63 ALL MACHINED SURFACES, EXCEPT AS NOTED
 ANGULAR TOLERANCE, ±0.50 DEG

MATERIAL: 15-5PH CRES, 180-200 KSI

FINISH: CADMIUM PLATE PER 20-42-05, TYPE 2, CLASS 2. PLATING IN BORE OPTIONAL

BUSHING REPLACEMENT FOR BUSHING

(490, IPL FIG. 1)

(524, IPL FIG. 5)

(338, IPL FIG. 7)

Oversize Bushing Details
 Figure 602

57-43-37

REPAIR 8-1

01.101

Page 604

Jul 01/99

RIB ASSEMBLY – REPAIR 9-1

114T3135-1, -2

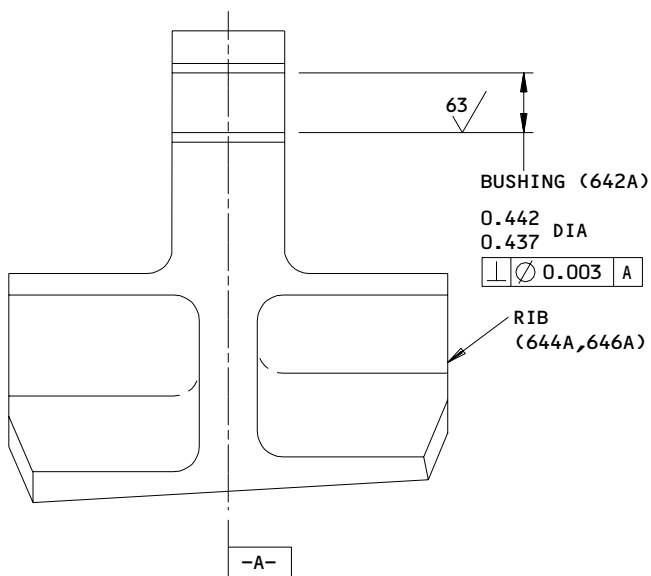
NOTE: Refer to REPAIR – GENERAL for a list of applicable standard practices.

1. Bushing (642A) Replacement (IPL Fig. 1)

- A. Remove bushing.
- B. Install bushing per 20-50-03 with wet BMS 5-95 sealant.
- C. Machine bushing per Fig. 601.

2. Refinish

- A. Rib (644A, 646A) -- Anodize (F-17.04 or F-17.31) and apply one layer of BMS 10-11, Type 1 primer (F-20.02), except do not apply primer in the holes for the bushings. Optional: For bushing holes and touch-up of small areas of bare metal, apply colored chemical coating (F-17.10) instead of anodize. Material: Al alloy.



ALL DIMENSIONS ARE IN INCHES

114T3135
Bushing Replacement
Figure 601

57-43-37

REPAIR 9-1

01.1

Page 601

Jul 01/04

RIB ASSEMBLY – REPAIR 10-1

114T3178-1, -2

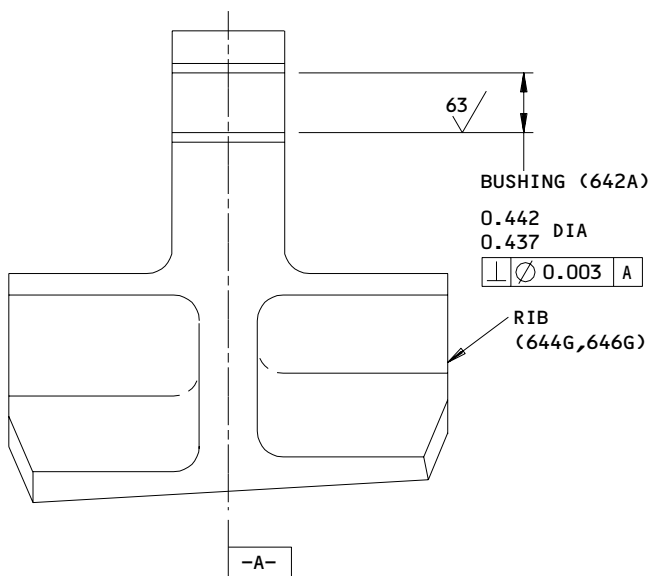
NOTE: Refer to REPAIR – GENERAL for a list of applicable standard practices.

1. Bushing (642A) Replacement (IPL Fig. 1)

- A. Remove bushing.
- B. Install bushing per 20-50-03 with wet BMS 5-95 sealant.
- C. Machine bushing per Fig. 601.

2. Refinish

- A. Rib (644G, 646G) -- Anodize (F-17.04 or F-17.31) and apply one layer of BMS 10-11, Type 1 primer (F-20.02), except do not apply primer in the holes for the bushings. Optional: For bushing holes and touch-up of small areas of bare metal, apply colored chemical coating (F-17.10) instead of anodize. Material: Al alloy.



ALL DIMENSIONS ARE IN INCHES

114T3178
Bushing Replacement
Figure 601

RIB ASSEMBLY – REPAIR 11-1

114T3170-11 thru -14, -21, -22, -25, -26, -29, -30, -401, -402

NOTE: Refer to REPAIR – GENERAL for a list of applicable standard practices.

1. Bushing (698, IPL Fig. 1, 606, IPL Fig. 5, 461, IPL Fig. 7) Replacement

- A. Remove bushings.
- B. Check hole for damage or corrosion and repair, if necessary, per 2.A.
- C. Install bushings per 20-50-03 with wet BMS 5-95 sealant.
- D. Machine bushings per Fig. 601.
- E. Fillet seal entire periphery of bushing flanges using BMS 5-95 sealant and fill the space between the bushing flanges and the rub plates with BMS 5-95 sealant as shown in Fig. 601.

2. Rub Plate (708A, IPL Fig. 1, 616, IPL Fig. 5, 476, IPL Fig. 7) Replacement

- A. Remove the rub plates.
- B. Fay surface seal between the new rub plates and the rib with BMS 5-95 sealant as specified by SOPM 20-50-19 and install the bolts with BMS 5-95 sealant as shown in Fig. 601.
- C. Fill the space between the bushing flanges and the rub plates with BMS 5-95 sealant as shown in Fig. 601.

3. Repair

- A. Repair hole for bushing (698, IPL Fig. 1, 606, IPL Fig. 5, 461, IPL Fig. 7)
 - (1) Machine fitting (720A, 722A, IPL Fig. 1, 628, 630, IPL Fig. 5, 494, 497, IPL Fig. 7) as required to remove discrepancies, per Fig. 601.
 - (2) Penetrant check per 20-20-02.
 - (3) Shot peen bore per 20-10-03 and fig. 601.
 - (4) Refinish per 3.A
 - (5) Fabricate oversize bushing per fig. 602.

57-43-37

REPAIR 11-1

01.1

Page 601

Jul 01/04

4. Refinish

- A. Rib (720A, 722A, IPL Fig. 1, 628, 630, IPL Fig. 5, 494, 497, IPL Fig. 7)
— Chromic acid anodize, Type 1, and apply one coat BMS 10-11, Type 1
primer (F-18.13) all over. Material: Al alloy.

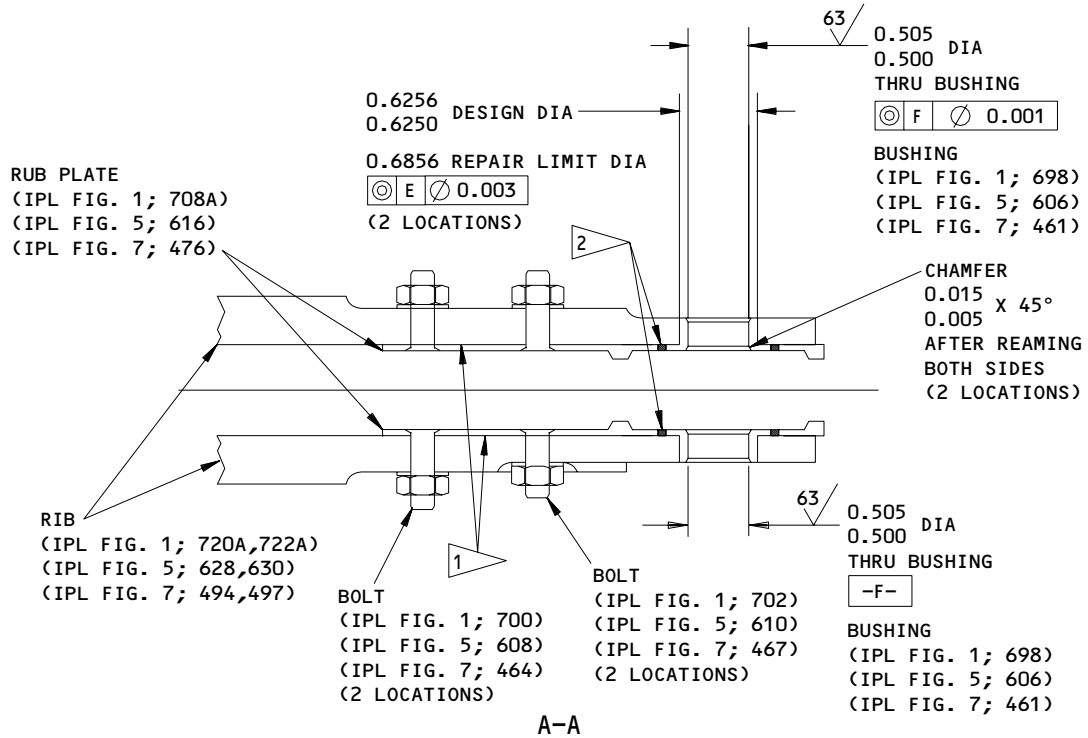
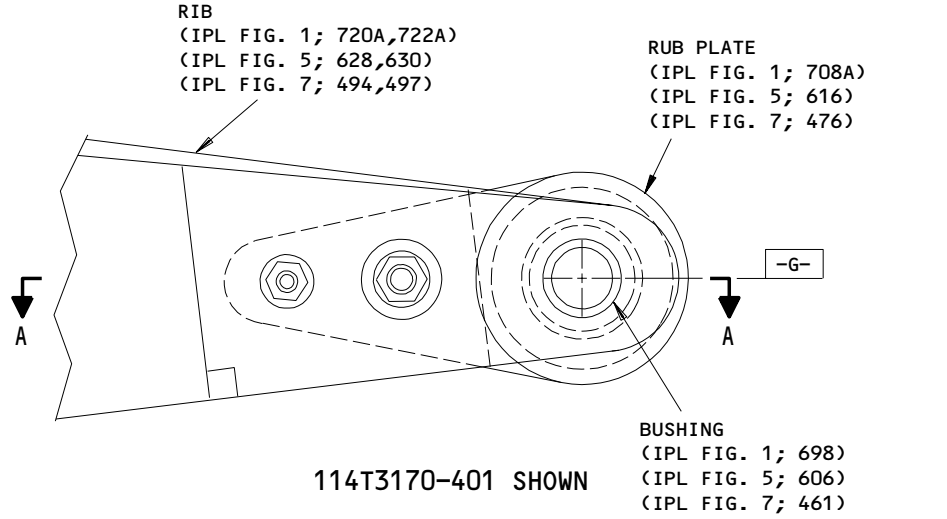
57-43-37

REPAIR 11-1

01.1

Page 602

Jul 01/04

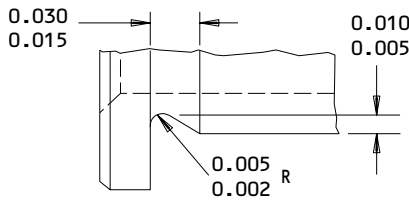
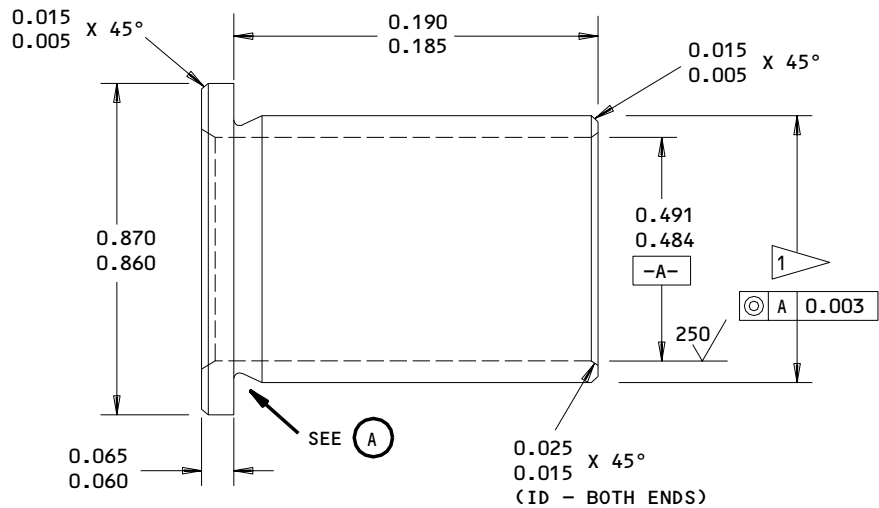


- 1 FAY SURFACE SEAL BETWEEN RIB AND RUB PLATE
- 2 FILL SPACE WITH BMS 5-95 SEALANT

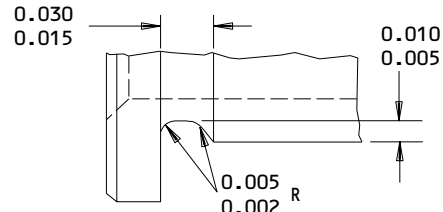
SHOT PEENING: 230-550 SHOT NUMBER
 0.003A-0.005A INTENSITY
 2.0 COVERAGE

MATERIAL: ALUMINUM ALLOY
 ALL DIMENSIONS ARE IN INCHES

114T3170-11 thru -14,-21,-22,-25,-26,-29,-30,-401,-402
 Bushing Replacement
 Figure 601



TYPE 1



TYPE 2

UNDERCUT TYPE 1 OR TYPE 2 OPTIONAL



1 FINAL BUSHING OUTSIDE DIA EQUALS REPAIR DIA OF FITTING PLUS 0.0005-0.0017 INTERFERENCE

63 ALL MACHINED SURFACES, EXCEPT AS NOTED
 ANGULAR TOLERANCE, ±0.50 DEG

ALL DIMENSIONS ARE IN INCHES

MATERIAL: 15-5PH CRES, 180-200 KSI

DIMENSIONS APPLY AFTER PLATING

FINISH: CADMIUM PLATE PER 20-42-05, TYPE 2, CLASS 2. PLATING IN BORE OPTIONAL

BUSHING REPLACEMENT FOR BUSHING

- (698, IPL FIG. 1)
- (606, IPL FIG. 5)
- (461, IPL FIG. 7)

Oversize Bushing Details
 Figure 602

57-43-37

REPAIR 11-1

01.101

Page 604

Jul 01/99

RIB ASSEMBLY – REPAIR 12-1

114T3148-1, -2

NOTE: Refer to REPAIR – GENERAL for a list of applicable standard practices.

- A. Bearing (65, IPL Fig. 2, 6, 38, IPL Fig. 8) Replacement
- B. Remove bearing as specified by SOPM 20-50-03.
- C. Install the bearing with wet BMS 5-95 sealant and swage both sides as specified by SOPM 20-50-03.

1. Refinish

- A. Rib (90, 95, IPL Fig. 2, 6, 53, 56, IPL Fig. 8) -- Anodize (F-17.04 or F-17.31) and apply one layer of BMS 10-11, Type 1 primer (F-20.02), except do not apply primer in the holes for the bushings. Optional: For bushing holes and touch-up of small areas of bare metal, apply colored chemical coating (F-17.10) instead of anodize. Material: Al alloy.

57-43-37

REPAIR 12-1

01.1

Page 601

Jul 01/04

RIB ASSEMBLY – REPAIR 13-1

114T3141-1, -2, -401, -402

NOTE: Refer to REPAIR – GENERAL for a list of applicable standard practices.

1. Bearing (147, IPL Fig. 2, 6, 89, IPL Fig. 8) Replacement

- A. Remove bearing as specified by SOPM 20-50-03.
- B. Install the bearing with wet BMS 5-95 sealant and swage both sides as specified by SOPM 20-50-03.

2. Refinish

- A. Rib (170, 175, IPL Fig. 2, 6, 104, 107, IPL Fig. 8) -- Anodize (F-17.04 or F-17.31) and apply one layer of BMS 10-11, Type 1 primer (F-20.02), except do not apply primer in the holes for the bushings. Optional: For bushing holes and touch-up of small areas of bare metal, apply colored chemical coating (F-17.10) instead of anodize. Material: Al alloy.

57-43-37

REPAIR 13-1

01.1

Page 601

Jul 01/04

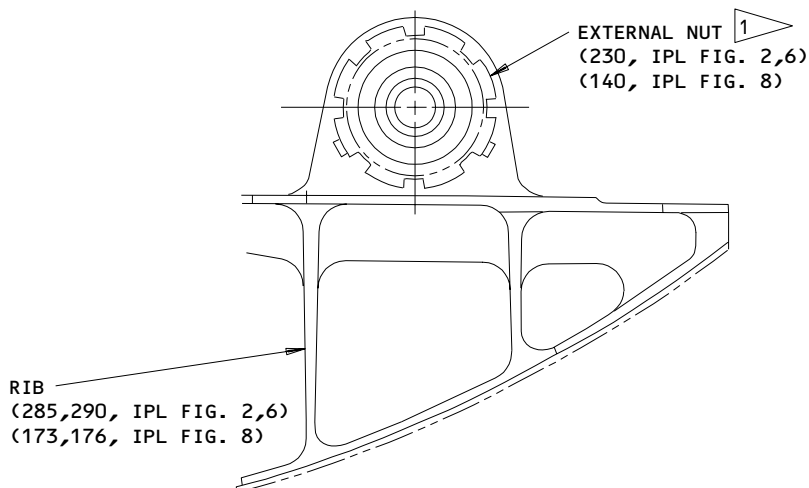
RIB ASSEMBLY – REPAIR 14-1

114T3134-1, -2

NOTE: Refer to REPAIR – GENERAL for a list of applicable standard practices.

1. Bearing Assembly (240, IPL Fig. 2, 6, 146, IPL Fig. 3) Replacement

- A. Straighten lug of lockwasher (235, IPL Fig. 2, 6, 143, IPL Fig. 8) and remove external nut (230, IPL Fig. 2, 6, 140, IPL Fig. 8) and washer.
- B. Remove bearing assembly as specified by SOPM 20-50-03.
- C. Install the new bearing assembly with wet BMS 5-95, class B sealant as specified by SOPM 20-50-03.
- D. Apply BMS 5-95, class B sealant to lockwasher (235, IPL Fig. 2, 6, 143, IPL Fig. 8) and install wet.
- E. Install external nut (230, IPL Fig. 2, 6, 140, IPL Fig. 8) and tighten to a torque range of 600-1000 pound-inches. Align slots as shown in Fig. 601.



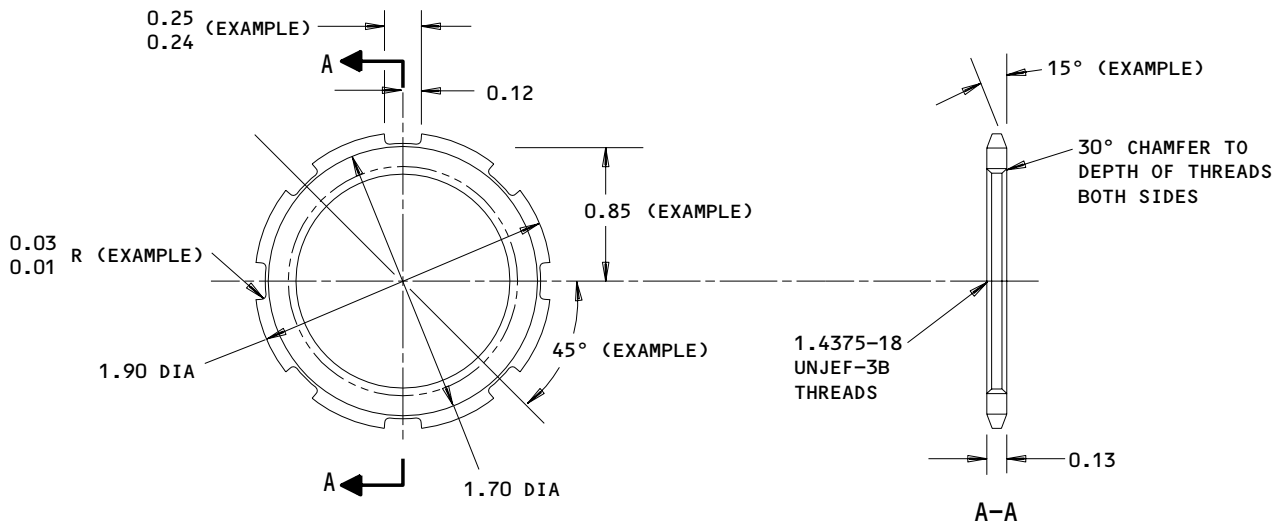
1 ALIGN SLOTS OF NUT
IN VERTICAL PLANE
AS SHOWN

114T3134-1,-2
Bearing Assembly Replacement
Figure 601

- F. Bend lug of washer (235, IPL Fig. 2, 6, 143, IPL Fig. 8) into slot of external nut (230, IPL Fig. 2, 6, 140, IPL Fig. 8).
- G. Fillet seal entire periphery of bearing assembly flange using BMS 5-95, class B sealant.

2. Refinish

- A. External nut (230, IPL Fig. 2, 6, 140, IPL Fig. 8) -- See Fig. 602.
- B. Lockwasher (235, IPL Fig. 2, 6, 143, IPL Fig. 8) -- Cadmium plate, type 2 class 2, and apply one coat BMS 10-11, type 1 primer (F-16.01) all over. Material: 321/347 CRES.
- C. Rib (285, 290, IPL Fig. 2, 6, 173, 176, IPL Fig. 8) -- Anodize (F-17.04 or F-17.31) and apply one layer of BMS 10-11, Type 1 primer (F-20.02), except do not apply primer in the holes for the bushings. Optional: For bushing holes and touch-up of small areas of bare metal, apply colored chemical coating (F-17.10) instead of anodize. Material: Al alloy.



REFINISH

CADMIUM PLATE TYPE 2, CLASS 2 (F-15.06).
 MAXIMUM PLATING THICKNESS TO BE 0.0005 INCH.
 PLATE TO DIMENSIONS SHOWN

MATERIAL

15-5PH CRES, 180-200 KSI
 ALL DIMENSIONS ARE IN INCHES
 TOLERANCES: ANGLES ±15'; DECIMALS ±0.01

114T3152-1
 Refinish of External Nut
 Figure 602

30639

BEARING ASSEMBLY – REPAIR 15-1

114T3155-1

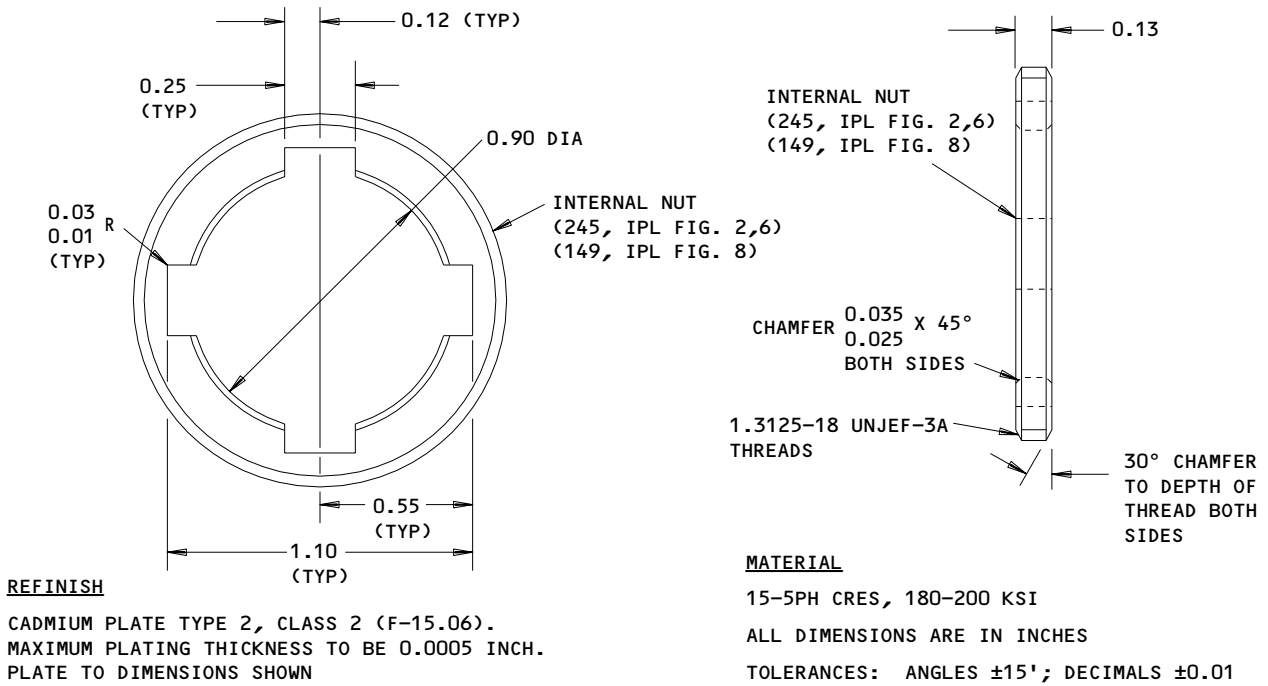
NOTE: Refer to REPAIR – GENERAL for a list of applicable standard practices.

1. Bearing (250, IPL Fig. 2, 6, 152, IPL Fig. 8) Replacement

- A. Remove nut (245, IPL Fig. 2, 6, 149, IPL Fig. 8).
- B. Remove bearing as specified by SOPM 20-50-03.
- C. Install the new bearing with wet BMS 5-95 sealant as specified by SOPM 20-50-03.
- D. Install nut, tightening to a torque range of 280-300 pound-inches.
- E. Roller swage housing (255, IPL Fig. 2, 6, 155, IPL Fig. 8) over nut.

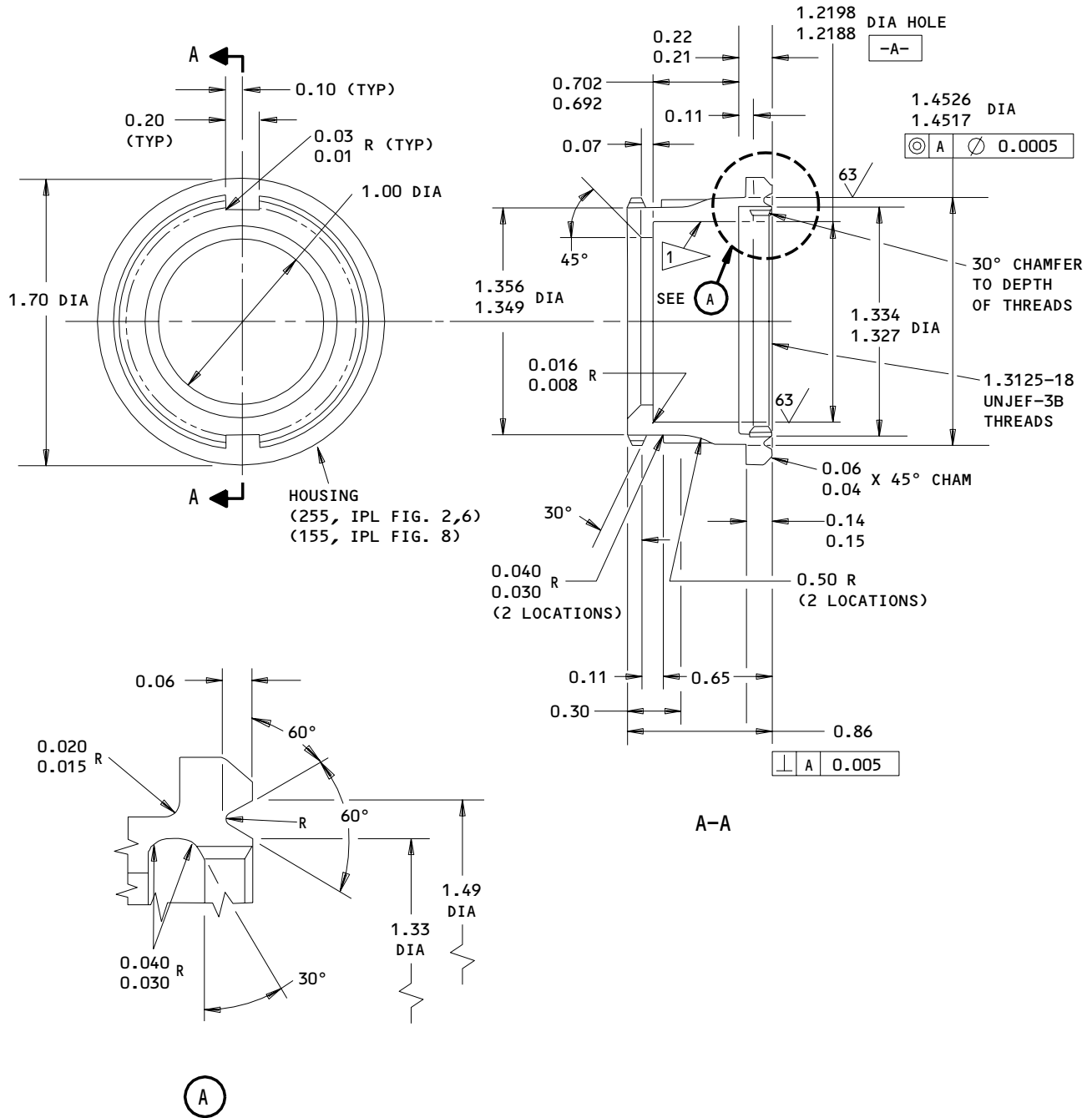
2. Refinish

- A. Nut (245, IPL Fig. 2, 6, 149, IPL Fig. 8) -- See Fig. 601.
- B. Housing (255, IPL Fig. 2, 6, 155, IPL Fig. 8) -- See Fig. 602.



114T3153-1
 Refinish of Internal Nut
 Figure 601

57-43-37
 REPAIR 15-1
 Page 601
 Jul 01/04



REFINISH

CADMIUM PLATE TYPE 2, CLASS 2 (F-15.06).
 PLATE TO DIMENSIONS SHOWN

1 NO PLATING ON THIS SURFACE

MATERIAL

15-5PH CRES, 180-200 KSI

ALL DIMENSIONS ARE IN INCHES

TOLERANCES: ANGLES ±15'; DECIMALS ±0.01

114T3151-1
 Refinish of Housing
 Figure 602

57-43-37

REPAIR 15-1

Page 602

Jun 01/97

01.1

RIB ASSEMBLY – REPAIR 16-1

114T3146-1, -2

NOTE: Refer to REPAIR – GENERAL for a list of applicable standard practices.

1. Bearing (345, IPL Fig. 2, 6, 209, IPL Fig. 8) Replacement

- A. Remove bearing as specified by SOPM 20-50-03.
- B. Install the bearing with wet BMS 5-95 sealant and swage both sides as specified by SOPM 20-50-03.

2. Refinish

- A. Rib (365, 370, IPL Fig. 2, 6, 220, 223, IPL Fig. 8) -- Anodize (F-17.04 or F-17.31) and apply one layer of BMS 10-11, Type 1 primer (F-20.02), except do not apply primer in the holes for the bushings. Optional: For bushing holes and touch-up of small areas of bare metal, apply colored chemical coating (F-17.10) instead of anodize. Material: Al alloy.

57-43-37

REPAIR 16-1

01.1

Page 601

Jul 01/04

RIB ASSEMBLY – REPAIR 17-1

114T3136-1, -2

NOTE: Refer to REPAIR – GENERAL for a list of applicable standard practices

1. Bearing (405, IPL Fig. 2, 6, 244, IPL Fig. 8) Replacement

- A. Remove bearing as specified by SOPM 20-50-03.
- B. Install the bearing with wet BMS 5-95 sealant and swage both sides as specified by SOPM 20-50-03.

2. Refinish

- A. Rib (430, 435, IPL Fig. 2, 6, 259, 262, IPL Fig. 8) -- Anodize (F-17.04 or F-17.31) and apply one layer of BMS 10-11, Type 1 primer (F-20.02), except do not apply primer in the holes for the bushings. Optional: For bushing holes and touch-up of small areas of bare metal, apply colored chemical coating (F-17.10) instead of anodize. Material: Al alloy.

57-43-37

REPAIR 17-1

01.1

Page 601

Jul 01/04

MISCELLANEOUS PARTS - REPAIR 18-1

NOTE: Refer to REPAIR - GENERAL for a list of applicable standard practices.

1. Repair of parts in Table 601 consists of restoration of original finish.

| IPL FIG. & ITEM | MATERIAL | FINISH |
|---|------------------------------------|---|
| <u>Fig. 1</u> | | |
| Wedge T.E. bond assy (32,34,34F, 34G,36,38,38F,38G) | Aramid Epoxy Prepreg fabric | See Fig. 601. |
| Cove skin (114, 116,118,120,154, 156,158,160,162, 164,346,348,350, 352,354,356,358, 360,546,548,550, 552,554,556,558, 560) | Al alloy | Chemically treat (colored film) and apply one coat BMS 10-11, type 1 primer (F-18.06) all over. |
| <u>Fig. 2</u> | | |
| Bolt (952) | 9N:-4Co-.30C Steel, 220 ksi min | See Fig. 602 |
| Key (962) Retainer (966) | Al alloy | Chemically treat (colored film) and apply one coat BMS 10-11, type 1 primer (F-18.06) all over. |
| <u>Fig. 5</u> | | |
| Wedge T.E. bond assy (45,50) | Aramid Epoxy Prepeg fabric | See Fig. 601 |
| Cover skin (240, 245,250,255,320, 325,480,485,490, 495,578,580,582, 584) | Al alloy | Chemically treat (colored film) and apply one coat BMS 10-11, type 1 primer (F-18.06) all over. |

| IPL FIG. & ITEM | MATERIAL | FINISH |
|--|--|---|
| <u>Fig. 7</u> Wedge T.E. bond assy (38,41) Cover skin (146, 149,152,155,194, 197,290,293,296, 299,419,422,425, 428) | Aramid Epoxy Prepreg fabric Al alloy | See Fig. 601 Chemically treat (colored film) and apply one coat BMS 10-11, type 1 primer (F-18.06) all over. |

Refinish Details
 Table 601

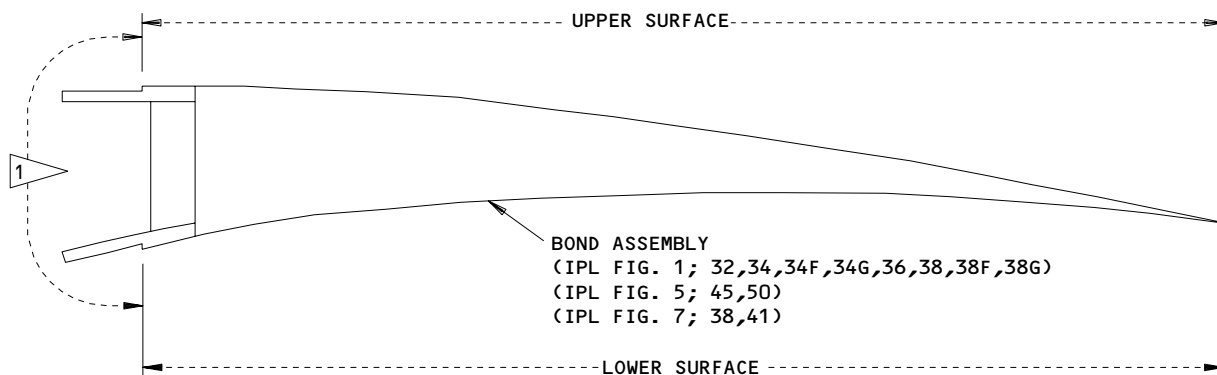
57-43-37

REPAIR 18-1

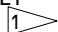

01.1

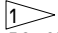
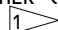
Page 602


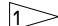
Jul 01/99

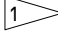


REFINISH

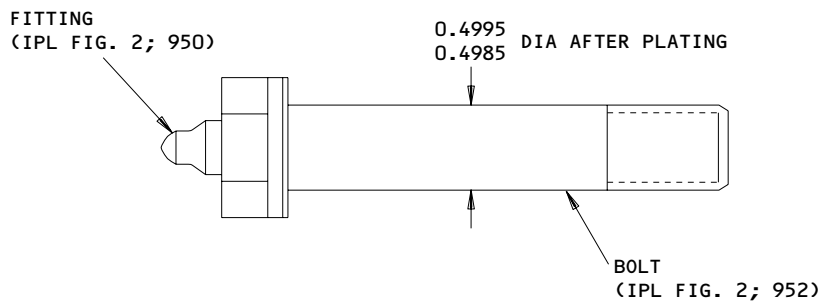
FOR 114T3110-1,-2,-9 THRU -14:
TO THE UPPER SURFACE, APPLY COLORLESS CHEMICAL COATING (F-14.05) AS SPECIFIED BY SOPM 20-43-03. TO THE LOWER SURFACE, PHOSPHORIC ACID ANODIZE (F-20.31) AND APPLY BMS 5-89 CORROSION RESISTANT ADHESIVE PRIMER (F-20.26). APPLY BMS 10-79, TYPE 3 PRIMER (F-19.47) TO THE  AREA. BMS 10-11, TYPE 1 PRIMER (F-20.02) IS OPTIONAL TO (F-19.47) IN THE  AREA.

FOR 114T3110-19 THRU -22,-31 THRU -34,-55,-56:
PHOSPHORIC ACID ANODIZE (F-20.31) THE UPPER AND LOWER SURFACES. APPLY BMS 10-79, TYPE 3 PRIMER (F-19.47) TO THE  AREA. BMS 10-11, TYPE 1 PRIMER (F-20.02) IS OPTIONAL TO (F-19.47) IN THE  AREA.

FOR 114T3110-35 THRU -38,-53,-54,-401,-402,-405,-406:
PHOSPHORIC ACID ANODIZE (F-20.31) AND APPLY BMS 5-137, TYPE 1 ADHESIVE PRIMER (F-20.47) TO THE UPPER AND LOWER SURFACES. APPLY BMS 10-79, TYPE 3 PRIMER (F-19.47) TO THE  AREA. BMS 10-11, TYPE 1 PRIMER (F-20.02) IS OPTIONAL TO (F-19.47) IN THE  AREA.

 APPLY BMS 10-79, TYPE 3 PRIMER (F-19.47) TO THIS AREA. OPTIONAL: BMS 10-11, TYPE 1 PRIMER (F-20.02)

Refinish of Bond Assembly
Figure 601



REFINISH

CADMIUM TITANIUM ALLOY PLATE, BAKE 12 HOURS
MINIMUM AT 350-400°F AND APPLY CHROMATE
POST-PLATE TREATMENT (F-15.01).

MATERIAL: 9Ni-4Co-0.30C, 220 KSI MINIMUM
ALL DIMENSIONS ARE IN INCHES

Refinish of Bolt
Figure 602

30640

57-43-37

REPAIR 18-1

01.1

Page 604

Jul 01/99

INBOARD SLAT STRUCTURE ASSEMBLY NO. 6 AND 7 - REPAIR 19-1

114T3100-1A, 1B, 1C, -2A, -2B, -2C, -11, -12, -13A, -13C,
-14A, -14C, -15 THRU -18, -21A, -21B, -21C, -22A, -22B,
-22C, -23 THRU -42, -49G THRU -56G, -401G THRU -412G

NOTE: Refer to REPAIR - GENERAL for a list of applicable standard practices.

1. Wedge Assembly (32, 34, 36, 38, IPL Fig. 1), (45, 50, IPL Fig. 5), (38, 41, IPL Fig. 7) Replacement (Fig. 601)

NOTE: Use wedge alignment tool assembly A57003 at ISS 190.537 and 316.232. The ISS locations are shown in Fig. 602.

- A. Use plywood or an equivalent material to make a fixture to hold the structure. The 757 holding can be used with small changes.
- B. Put the slat structure assembly (1, 5, IPL Fig. 1, 2, 5, 6, 7, 8) in the fixture to prevent the slat structure assembly from movement during the repair.
- C. Install The Wedge Alignment Tool Assembly
 - (1) Put the wedge alignment tool assembly on the auxiliary arm/rib assembly (192, 192F, 194, 194F, 392, 392F, 394, 394F, 474A, 476A, 584, 584F, 586, 586F, 678A, 680A, IPL Fig. 1), (508, 510, 586, 588, IPL Fig. 5), (314, 317, 431, 434, IPL Fig. 7) at ISS 190.537.

NOTE: Make sure the wedge alignment tool assembly is used at the correct ISS location shown in Fig. 602.
 - (2) Put the ball-lock pin thru the bushing hole at the end of the auxiliary arm assembly, with the dowel pin on the auxiliary arm.
 - (3) Add shim blocks between the auxiliary arm forks to not let them bend during the next step. Shim blocks are included in the wedge alignment tool assembly kit.

57-43-37

REPAIR 19-1

01.1

Page 601

Jul 01/03

- (4) Use C-clamps to hold the wedge alignment tool assembly to the auxiliary arm. Install the C-clamps between the contour locators.
- (5) Do steps 1.C.(1) thru (4) again for the other auxiliary arm/rib assembly at ISS 316.232.
- (6) Adjust the two contour locators on each wedge alignment tool assembly to the contour of the slat. Do not move or bend the wedge assembly during this procedure. Tighten the knobs.

NOTE: The contour locations are for reference only, to help you hold the wedge.

- (7) Adjust the trailing edge locator on each wedge alignment tool assembly to the trailing edge of the wedge assembly. Do not move or bend the wedge assembly during this procedure. Tighten the knobs.

D. Remove Wedge Alignment Tool Assembly

- (1) Tag the wedge alignment tool assemblies to show the ISS locations.

CAUTION: THE WEDGE ALIGNMENT TOOL ASSEMBLIES WILL BE USED TO HELP GET THE CORRECT LOCATION FOR THE NEW WEDGE ASSEMBLY. MAKE SURE THAT THE KNOBS ARE TIGHT. DO NOT LOOSEN THE KNOBS OR MOVE THE TRAILING EDGE LOCATORS DURING THE FOLLOWING STEPS.

- (2) Loosen and remove the C-clamps and the shim blocks.
- (3) Remove the ball-lock pins from the bushing holes in the auxiliary arms.
- (4) Remove the wedge alignment tool assemblies.

E. Remove The Damaged Wedge Assembly

NOTE: Make a note of the location of parts as you remove them to help during assembly.

- (1) Remove the bolts (185, 187, 300, 385, IPL Fig. 3) and the support assemblies (165, 170, 172, 175, 180, 182, 270, 275, 280, 285, 355, 360, 365, 370, IPL Fig. 3).

57-43-37

REPAIR 19-1

01.1

Page 602

Mar 01/98

- (2) Make a note of the locations of the cove skins (114, 116, 118, 120, 154, 156, 158, 160, 162, 164, 346, 348, 350, 352, 354, 356, 358, 360, 546, 548, 550, 552, 554, 556, 558, 560, IPL Fig. 1), (240, 245, 250, 255, 320, 325, 480, 485, 490, 495, 578, 580, 582, 584, IPL Fig. 5), (146, 149, 152, 155, 194, 197, 290, 293, 296, 299, 419, 422, 425, 428, IPL Fig. 7) and fasteners to help during assembly.
- (3) Remove all the fasteners along the lower and upper surfaces of the wedge assembly.
- (4) Remove the bolts and cove skins. Removal of some attaching parts could be necessary to let you remove the cove skins. Make a note of the location of these parts.
- (5) Remove the sealant from the gap between the leading edge skin and the wedge assembly.
- (6) Lift and remove the wedge assembly from the slat. To help get it out, you can gently move it back and forth. Keep the damaged wedge assembly as a guide for nutplate replacement.
- (7) Remove the shims between the lower surface of the wedge assembly and the slat ribs. Make a note of the shim locations. Some shims can be used again.

F. Prepare to Install the New Wedge Assembly

- (1) Prepare the surface of the slat structure assembly.
- (2) Put the new wedge assembly in position on the slat structure assembly. Align the ends of the wedge assembly with the ends of the slat structure assembly.

CAUTION: DO NOT MOVE OR CHANGE THE POSITION OF THE TRAILING EDGE LOCATORS ON THE WEDGE ALIGNMENT TOOL ASSEMBLIES.

57-43-37

REPAIR 19-1

01.1

Page 603

Mar 01/98

- (3) Install the tagged wedge alignment tool assemblies on the applicable auxiliary arms. (Refer to step 1.C.)

CAUTION: WHEN YOU USE CLAMPS, DO NOT APPLY TOO MUCH PRESSURE, OR YOU COULD PUT DENTS IN THE NEW WEDGE ASSEMBLY.

- (4) Apply pressure to keep the wedge assembly against the trailing edge locators. Adjust the position of the wedge assembly to the wedge tip location dimensions and to the allowable short fastener hole dimensions as shown in Fig. 602. When you use clamps, use wood blocks in them to prevent damage to the upper surface of the wedge assembly. Use the contour locators to help hold the wedge in the correct position.

- (5) Measure shim gaps between ribs and the lower chord of the new wedge assembly. Make a note of the shim thickness and location.

NOTE: No shims are permitted between the upper chord of wedge assembly and the leading edge skin of the slat structure assembly.

- (6) Remove the wedge alignment tool assemblies. (Refer to step 1.D.)
- (7) Remove the wedge assembly.
- (8) Install the BACS40R*B*F shims on the ribs with wet or dry BMS 10-11, type 1 primer mixed per S0PM 20-41-02 and F-20.05. If necessary, remove layers from the shims to get the correct thickness measured in step 1.F.(5). Maximum unshimmed gap is 0.010 inch.
- (9) Install the tagged wedge alignment tool assemblies on the applicable auxiliary arm assemblies. (Refer to step 1.C.)
- (10) Put the new wedge assembly in position on the slat structure assembly. Align the ends of the wedge assembly to the ends of the slat structure assembly.
- (11) Apply pressure to keep the wedge assembly against the trailing edge locators during the following steps. When you use clamps, use wood blocks in them to prevent damage to the upper surface of the wedge assembly.
- (12) Drill new holes along the upper chord of the wedge assembly to agree with the holes of the leading edge skin of the slat. Start in the middle and go toward the ends.

57-43-37

REPAIR 19-1

01.1

Page 604

Nov 01/01

- (13) Install a sufficient number of temporary fasteners to hold the wedge assembly in position.
- (14) Install cove skins on the slat structure assembly with a sufficient number of screws and temporary fasteners to hold them in position.
- (15) Drill new holes along the lower chord of the wedge assembly to agree with the holes of the cove skins. Start in the middle and go toward the ends.
- (16) Remove the wedge alignment tool assemblies. (Refer to step 1.D.)
- (17) Remove all temporary fasteners.
- (18) Remove the cove skins.
- (19) Remove the wedge assembly from the slat structure assembly. To help get it out, you can gently move it back and forth.
- (20) Install the nutplates on the new wedge assembly.
 - (a) Drill nutplate rivet holes on the lower surface of the wedge assembly. Use the old wedge assembly as a guide for nutplate replacement.
 - (b) Countersink the bolt holes and remove burrs.
 - (c) Chemical treat and apply BMS 10-11, type 1 primer to shims and all bare metal surfaces.
 - (d) Install the nutplates with rivets.
- (21) Clean and prepare the slat structure and the wedge assembly for final assembly of the wedge assembly.

G. Final Installation of New Wedge Assembly

- (1) Put the new wedge assembly in position on the slat structure assembly. Make sure the ends of the wedge assembly align with ends of the slat structure assembly. Make sure the holes on the new wedge assembly are aligned with the holes on the slat leading edge skin and cove skins.
- (2) Install a sufficient number of temporary fasteners to hold the cove skins and the wedge assembly in position.
- (3) Install some final fasteners, bolts, and washers.
- (4) Remove all temporary fasteners and install the final fasteners and bolts.
- (5) Install the support assemblies on the slat structure assembly with bolts.
- (6) Fill skin joints with aerodynamic smoother BMS 5-95 per SOPM 20-50-11 method 2. Aerodynamic smoother must be flush or below skin surface. Remove unwanted smoother.
- (7) Apply final finish. (Refer to MISCELLANEOUS PARTS REFINISH, REPAIR 18-1.)
- (8) Install all other parts you removed.

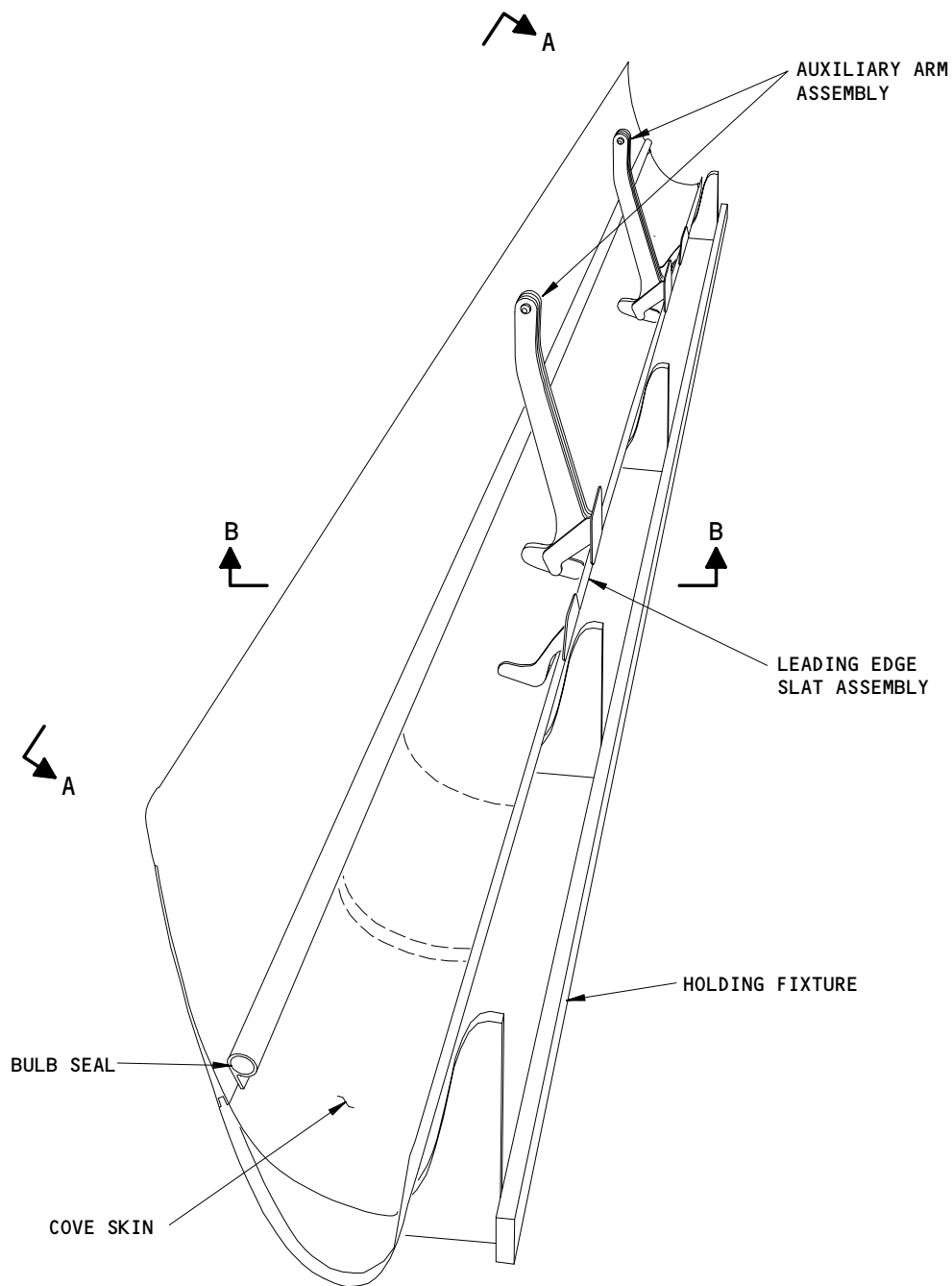
57-43-37

REPAIR 19-1

01.1

Page 606

Mar 01/98



(SHOWN WITHOUT LOCATOR TOOLS)

Wedge Assembly Replacement
Figure 601 (Sheet 1)

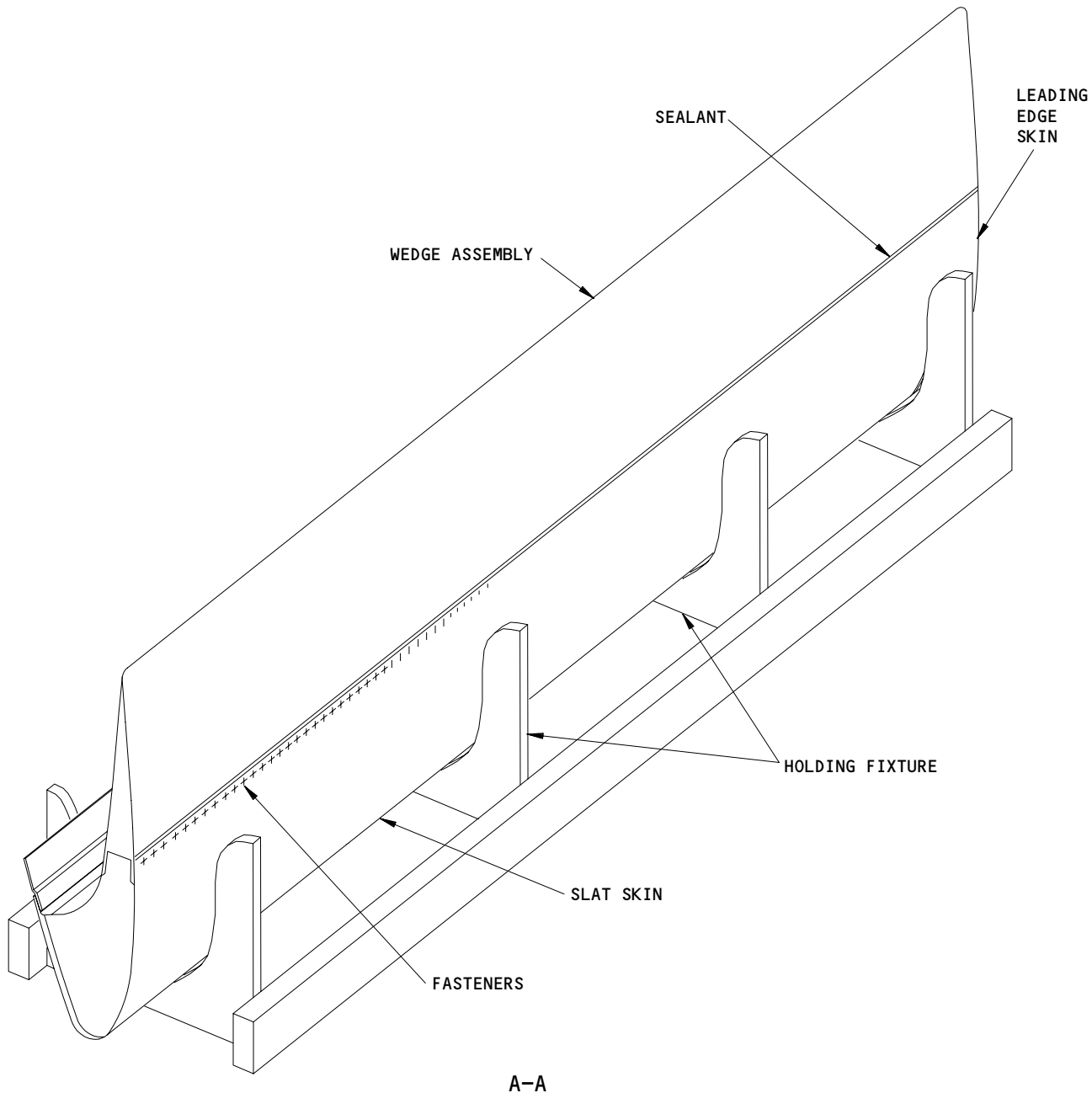
57-43-37

REPAIR 19-1

01.1

Page 607

Jun 01/97



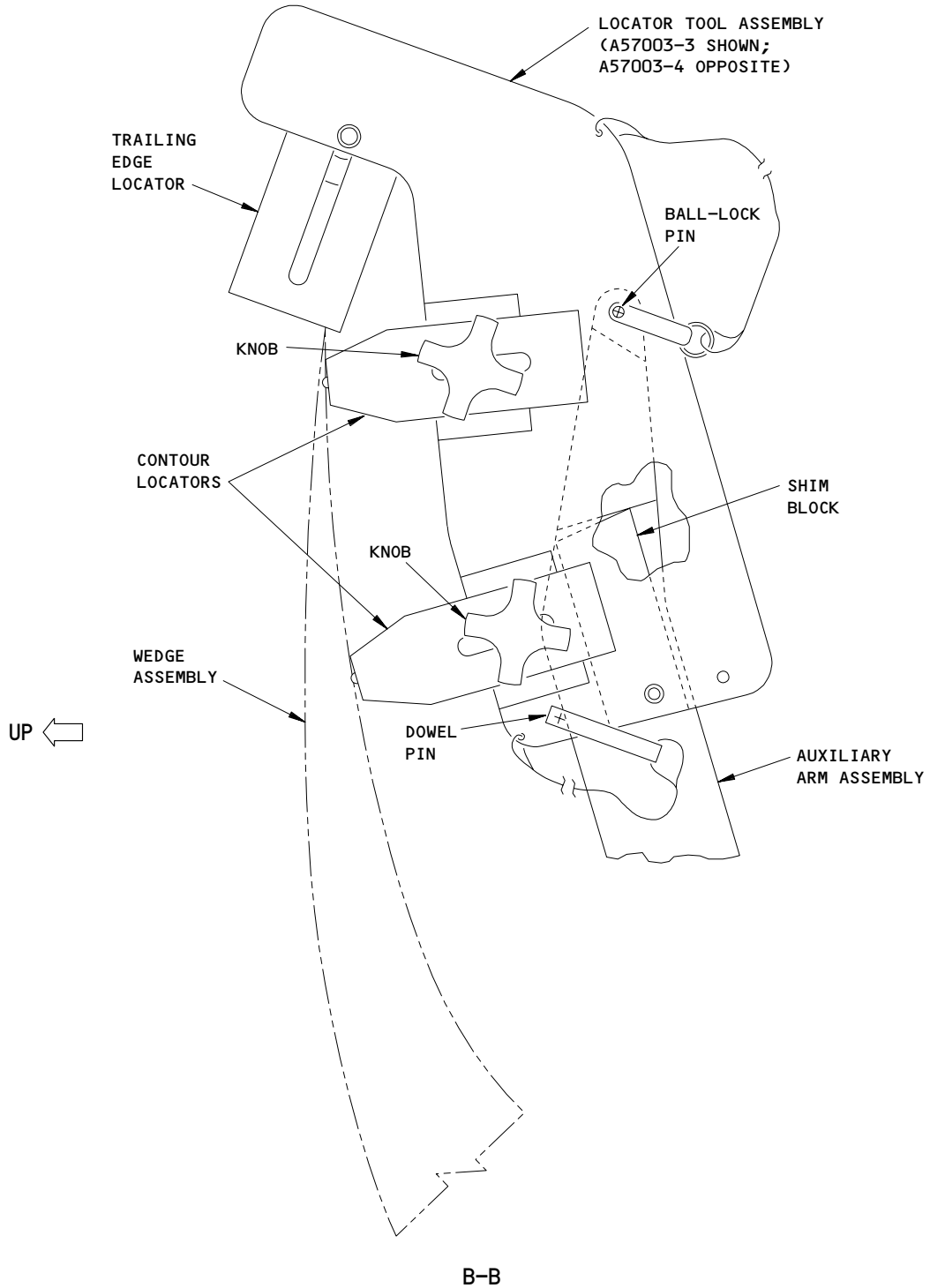
Wedge Assembly Replacement
Figure 601 (Sheet 2)

57-43-37

REPAIR 19-1
Page 608
Jun 01/97

01.1

F16421



Wedge Assembly Replacement
Figure 601 (Sheet 3)

57-43-37

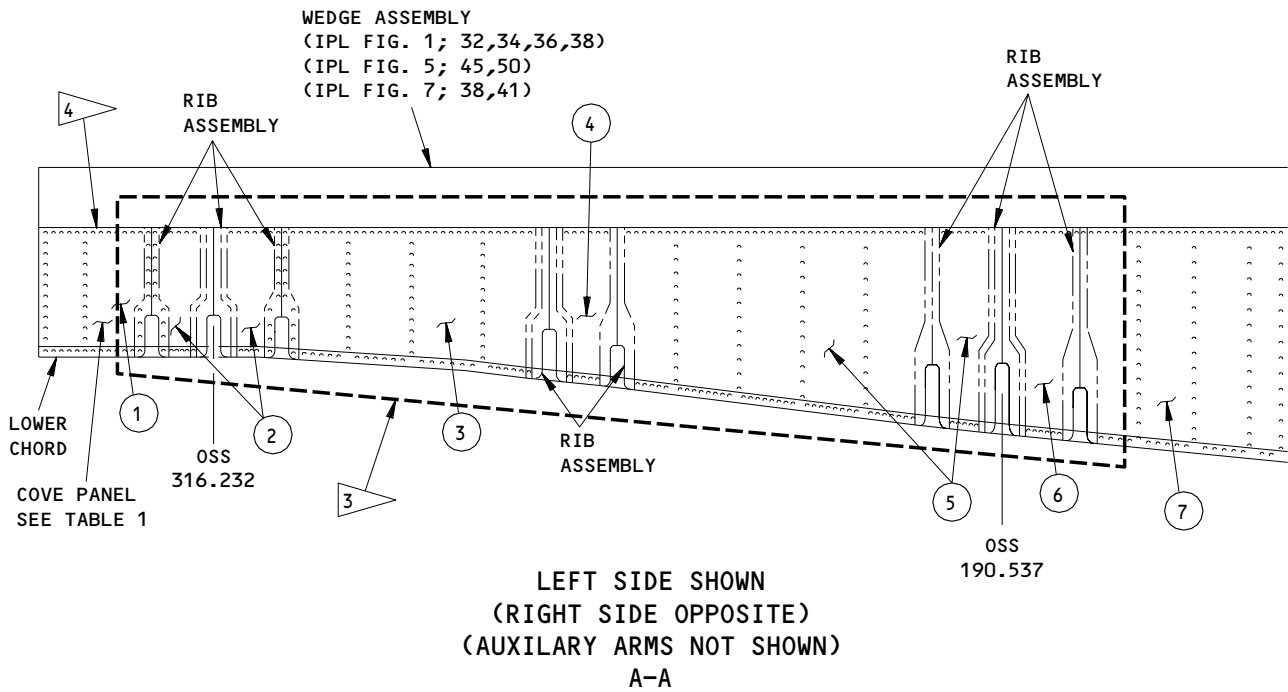
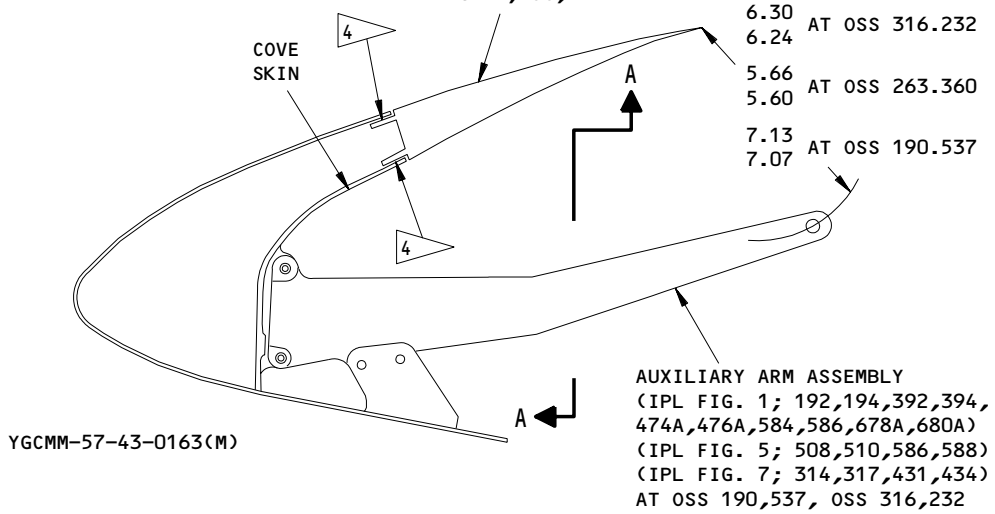
REPAIR 19-1

01.1

Page 609

Mar 01/98

WEDGE ASSEMBLY
 (IPL FIG. 1; 32,34,36,38)
 (IPL FIG. 5; 45,50)
 (IPL FIG. 7; 38,41)



ALL DIMENSIONS ARE IN INCHES

Rivet Substitution
 Figure 602 (Sheet 1)


57-43-37

REPAIR 19-1



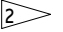
01.1

Page 610




Nov 01/01

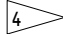
| COVE PANEL LOCATION | IPL FIG. 1 ITEM NO. | IPL FIG. 5 ITEM NO. | IPL FIG. 7 ITEM NO. |
|---|----------------------------|---------------------|---------------------|
| ① | 114,116 | | 146,149 |
| ②  | 154,156,158,160 162,164 | 320,325 | 194,197 |
| ③ | 346,348,350,352 | 480,485 | 290,293 |
| ④ | 354,356,358,360 | 490,495 | 296,299 |
| ⑤ | 546,548,550,552 | 578,580 | 419,422 |
| ⑥ | 554,556,558,560 | 582,584 | 425,428 |
| ⑦ | 118,120 | 250,255 | 152,155 |

COVE PANEL IDENTIFICATION
 TABLE 1

| SUBSTITUTION FASTENER   | SUBSTITUTION AREA |
|---|---|
| NAS1398MW*A*,NAS1738E*,BACR15FR*E | AREA COMMON TO COVE PANEL AND THE RIB |
| NAS1398D*A*,NAS1398MW*A*,NAS1738E*,BACR15FR*E | AREA COMMON TO COVE PANEL AND THE WEDGE |
| MS21141U**P OPTIONAL: HILOKS BACB3OVT*K* IN CLASS I HOLES (HILOKS INSTALLED WITH MANUFACTURED HEAD ON THE INSIDE OF THE SLAT BODY) | AREA COMMON TO COVE PANEL, RIB, AND THE WEDGE |
| MS21141U**P | AREA COMMON TO COVE PANEL AND THE LOWER CHORD |
| MS21141U**P | AREA COMMON TO COVE PANEL AND STIFFENERS |
| BACR15CE*AD* OR BACR15CE*D* | AREA WHERE BACR15CE*KE* FASTENERS ARE USED.  |

SUBSTITUTION
 TABLE 2

-  SOME SLAT STRUCTURE ASSEMBLIES HAVE TWO COVE SKINS IN THIS AREA
-  OPTIONAL TO INSTALL BACR15CE*AD* OR BACR15CE*D* RIVETS IN PLACE OF BACR15CE*KE* RIVETS. AVOID MIXING RIVET TYPES ON A COMMON ASSEMBLY
-  RIVET SUBSTITUTIONS ALLOWED WITHIN SPECIFIED AREA. BLIND RIVET SUBSTITUTIONS ARE NOT PERMITTED FOR BOLTS OR SCREWS.

-  SHORT FASTENER HOLE EDGE DISTANCES ARE PERMITTED IN THIS AREA.
 1. FASTENER HOLE EDGE DISTANCE OF 1.50 X FASTENER DIAMETER AT ALL LOCATIONS ON THE WEDGE SPAR CHORDS.
 2. FASTENER HOLE EDGE DISTANCE OF 1.25-1.50 X FASTENER DIAMETER IN NO MORE THAN 2 CONSECUTIVE FASTENER HOLES AND IN NO MORE THAN 3 IN ANY 10 CONSECUTIVE FASTENER HOLES.
 3. FASTENER HOLE EDGE DISTANCE IS MEASURED FROM CENTER OF HOLE TO FREE EDGE OF CHORD.

Rivet Substitution
 Figure 602 (Sheet 2)

ASSEMBLY

1. Materials

NOTE: Equivalent substitutes may be used.

- A. Adhesive -- Type 44, BMS 5-95 (Ref 20-50-12)
 - Type 68 (Ref 20-50-12)
 - Type 93 (Ref 20-50-12)
- B. Compound, corrosion preventive -- MIL-C-11796, class 3 (Ref 20-60-04)
- C. Enamel -- BMS 10-60, BAC701 Black gloss (Ref 20-60-02)
- D. Grease -- BMS 3-24 (Ref 20-60-03)
- E. Primer -- BMS 10-11, type 1 (Ref 20-60-02)
- F. Sealant -- BMS 5-95 (Ref 20-60-04)
 - BMS 5-95, class B (Ref 20-60-04)
 - BMS 5-79, class D (Ref 20-60-04)

2. Assembly

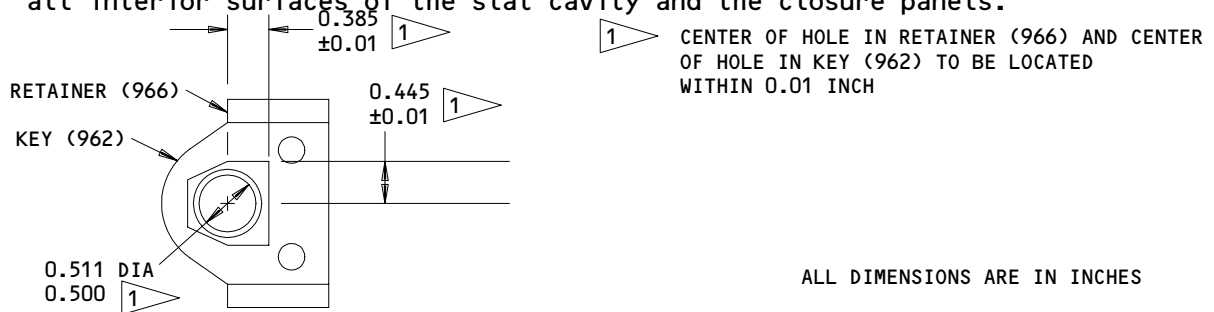
- A. Use standard industry practices for assembly of this component plus the following procedures.
- B. Install side brace link assembly (970, 972, IPL Fig. 2).
 - (1) Assemble retainer assembly (960) as follows:
 - (2) Install bearing assembly (240, IPL Fig. 2) as follows:
 - (a) Center hole in retainer (966) and broached hole in key (962) as shown in Fig. 701.
- C. Apply faying surface seal of BMS 5-95 sealant between identification plate (898, IPL Fig. 2) and rib assembly (871, 874, IPL Fig. 2). Install as shown in Fig. 702.

57-43-37

D. Stencil identification numbers on cove skins (114, 116, 118, 120, 154, 156, 158, 160, 162, 164, 346, 348, 350, 352, 354, 356, 358, 360, 546, 548, 550, 552, 554, 556, 558, 560, IPL Fig. 1, 240, 245, 250, 255, 320, 325, 480, 485, 490, 495, 578, 580, 582, 584, IPL Fig. 5, 146, 149, 152, 155, 194, 197, 290, 293, 296, 299, 419, 422, 425, 428, IPL Fig. 7) per Fig. 703. Use BMS 10-60, BAC 701 black gloss enamel. Make characters 1/2 inch high.

E. For aerodynamic smoothness requirements see Fig. 704.

F. For final assembly and prior to installation of closure panels, apply BMS 3-23, type 2 corrosion inhibiting compound as shown in SOPM 20-41-05 to all interior surfaces of the slat cavity and the closure panels.



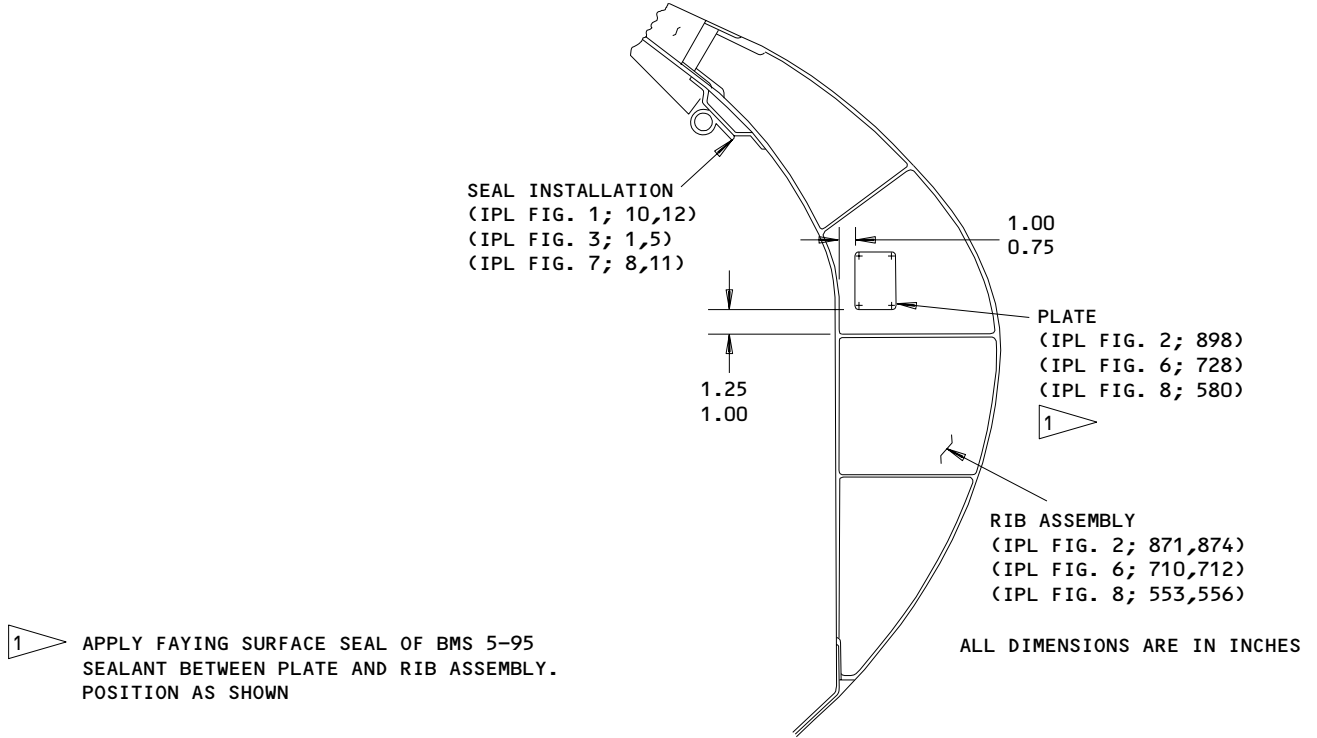
Assembly of Retainer Assembly
 Figure 701

30653

57-43-37

ASSEMBLY
 Page 702
 Jun 01/97

01.1



Installation of Plate
Figure 702

30654

57-43-37

ASSEMBLY
Page 703
Jul 01/99

01.1

| NAME | FIG-ITEM NO. | I.D. NO. | NAME | FIG-ITEM NO. | I.D. NO. |
|-----------|--------------|----------|-----------|--------------|----------|
| Cove Skin | 1-114 | 512GB | Cove Skin | 5-485 | 612EB |
| | 1-116 | 612GB | | 7-290 | 512EB |
| | 5-240 | 512GB | | 7-293 | 612EB |
| | 5-245 | 612GB | | 1-354 | 512DB |
| | 7-146 | 512GB | | 1-356 | 512DB |
| | 7-149 | 612GB | | 1-358 | 612DB |
| | 1-118 | 512AB | | 1-360 | 612DB |
| Cove Skin | 1-120 | 612AB | 5-490 | 512DB | |
| | 5-250 | 512AB | 5-495 | 612DB | |
| | 5-255 | 612AB | 7-296 | 512DB | |
| | 7-152 | 512AB | 7-299 | 612DB | |
| | 7-155 | 612AB | 1-546 | 512CB | |
| | 1-154 | 512FB | 1-548 | 512CB | |
| | 1-156 | 512FB | 1-550 | 612CB | |
| Cove Skin | 1-158 | 512FB | 1-552 | 612CB | |
| | 1-160 | 612FB | 5-578 | 512CB | |
| | 1-162 | 612FB | 5-580 | 612CB | |
| | 1-164 | 612FB | 7-419 | 512CB | |
| | 5-320 | 512FB | 7-422 | 612CB | |
| | 5-325 | 612FB | 1-554 | 512BB | |
| | 7-194 | 512FB | 1-556 | 512BB | |
| | 7-197 | 612FB | 1-558 | 612BB | |
| | 1-346 | 512EB | 1-560 | 612BB | |
| | 1-348 | 512EB | 5-582 | 512BB | |
| | 1-350 | 612EB | 5-584 | 612BB | |
| Cove Skin | 1-352 | 612EB | 7-425 | 512BB | |
| | 5-480 | 512EB | 7-428 | 612BB | |
| | | | | | |

Stenciling of Cove Skin
Figure 703

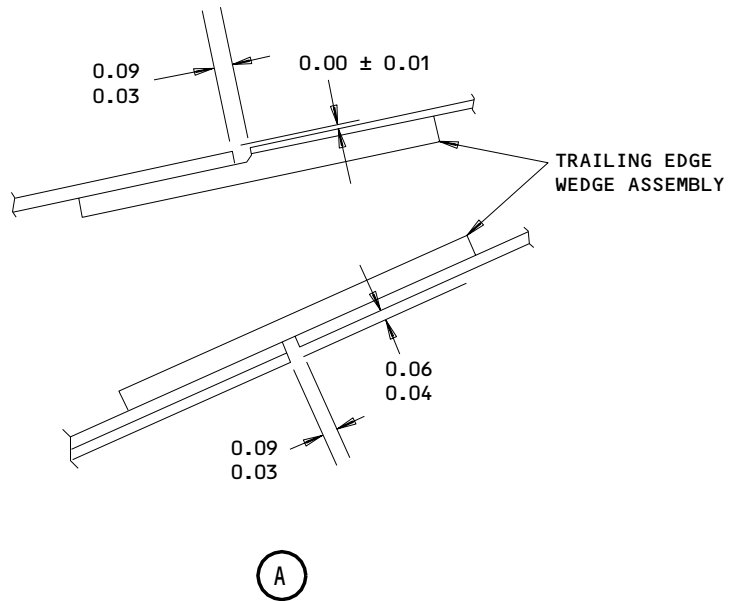
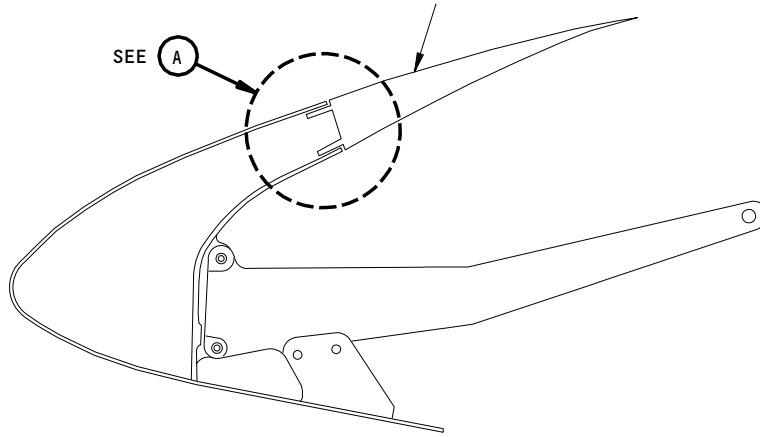
57-43-37

ASSEMBLY
Page 704
Jul 01/99

01.1

BOEING
COMPONENT
MAINTENANCE MANUAL

WEDGE ASSEMBLY
(IPL FIG. 1; 32,34,36,38)
(IPL FIG. 5; 45,50)
(IPL FIG. 7; 38,41)



ALL DIMENSIONS ARE IN INCHES

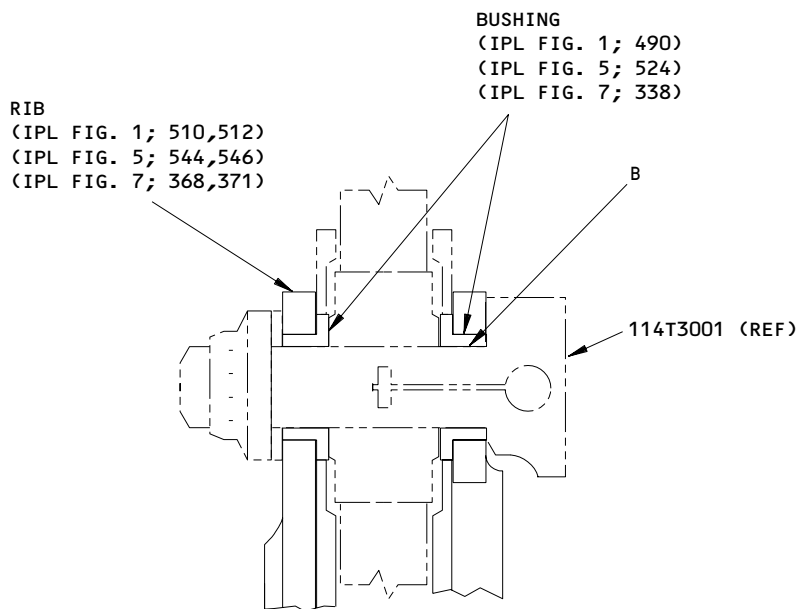
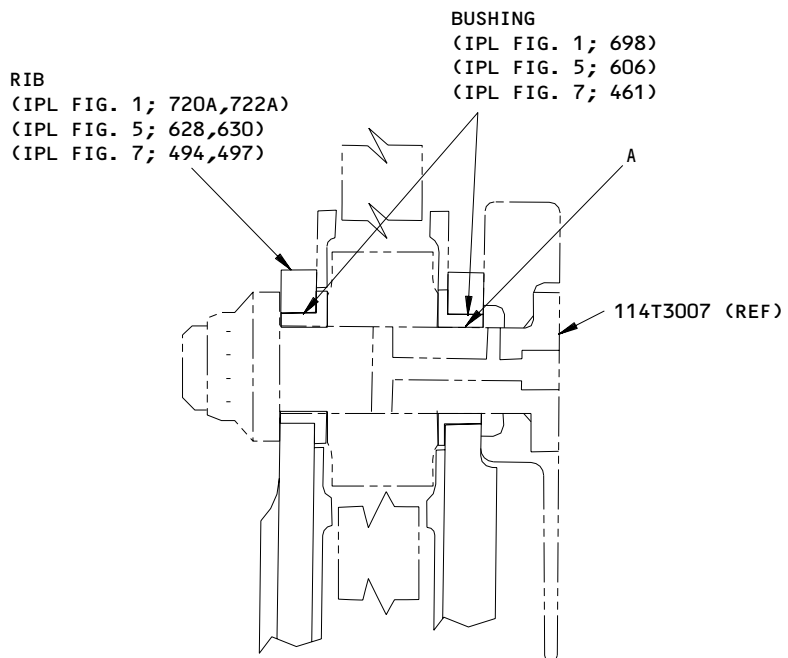
Aerodynamic Smoothness Requirements
Figure 704

57-43-37

ASSEMBLY
Page 705
Jul 01/99

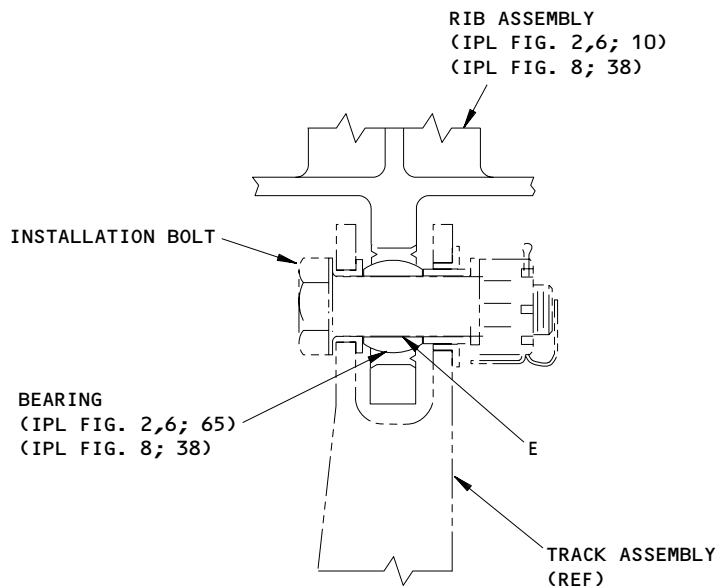
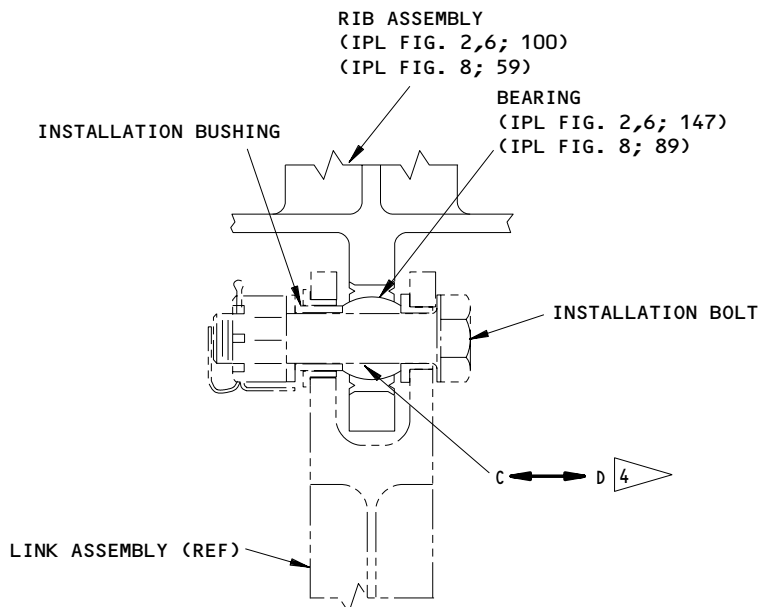
01.1

FITS AND CLEARANCES



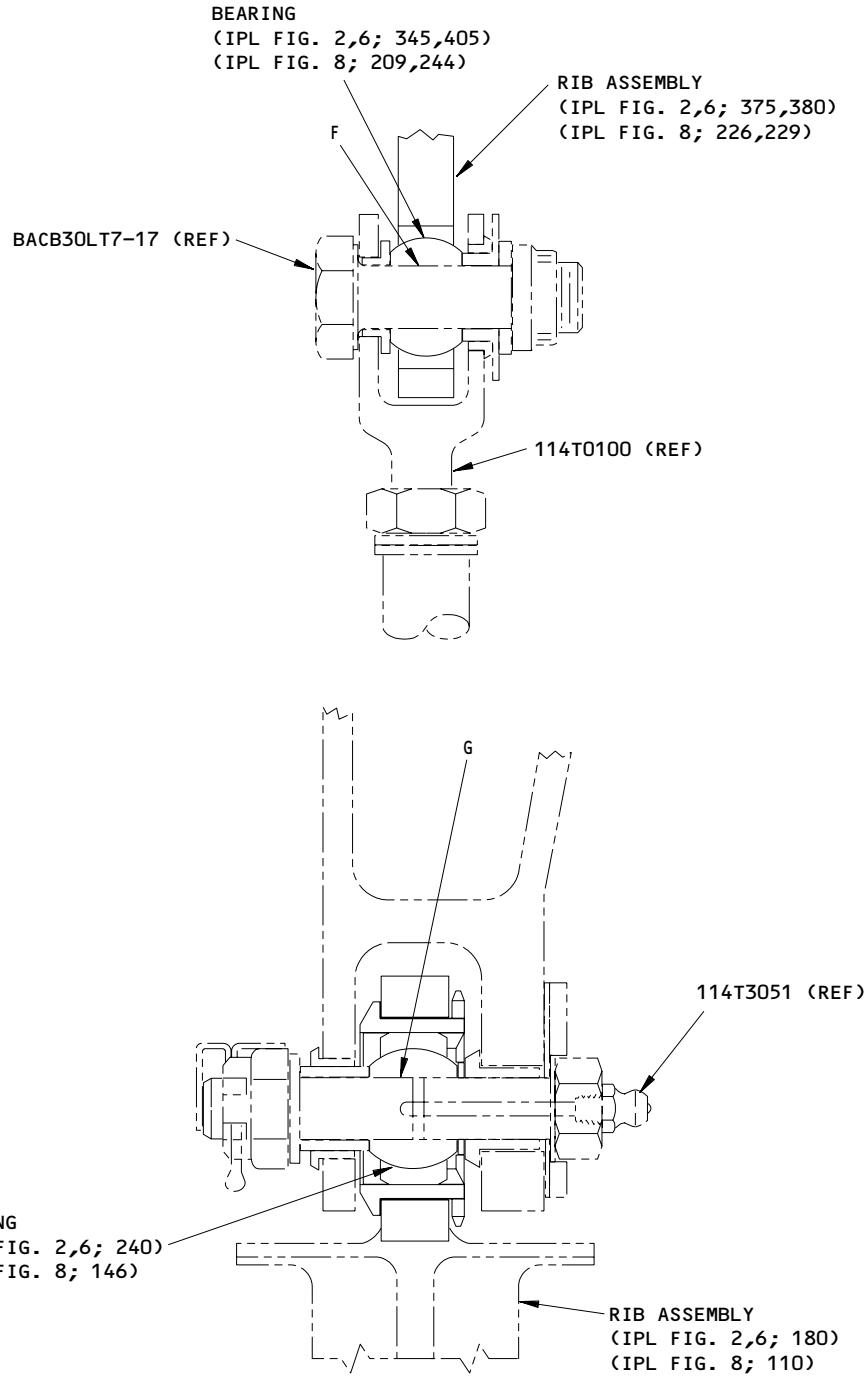
Fits and Clearances
Figure 801 (Sheet 1)

57-43-37




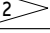




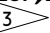

**Fits and Clearances
 Figure 801 (Sheet 2)**

57-43-37

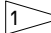
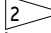
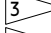
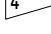
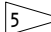
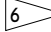
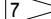


Fits and Clearances
Figure 801 (Sheet 3)

57-43-37

| Ref Letter Fig.801 | Mating Item No. | IPL Fig. No. | Design Dimensions | | | | Service Wear Limits | | |
|---|--|--------------|-------------------|--------|--------------------|--------|---------------------|--------|-----------------------------|
| | | | Dimensions | | Assembly Clearance | | Dimension Limits | | Maximum Allowable Clearance |
| | | | Min | Max | Min | Max | Min | Max | |
| A | ID 698 606 461 | 1 5 7 | 0.5000 | 0.5050 | 0.0005 | 0.0060 | 0.4940 | 0.5105 | 0.0110 |
| | OD  | | 0.4990 | 0.4995 | | | | | |
| B | ID 490 524 338 | 1 5 7 | 0.5000 | 0.5050 | 0.0005 | 0.0065 | 0.4935 | 0.5110 | 0.0115 |
| | OD  | | 0.4985 | 0.4995 | | | | | |
| C  | ID 147 | 2 | 0.5000 | 0.5004 | 0.0005 | 0.0019 | 0.4954 | 0.5045 | 0.0050 |
| | OD 924 | 2 | 0.4985 | 0.4995 | | | | | |
| D  | ID 89A | 8 | 0.4375 | 0.4380 | 0.0005 | 0.0015 | 0.4330 | 0.4420 | 0.0050 |
| | OD  | | 0.4365 | 0.4370 | | | | | |
| E | ID 65 38 | 2,6 8 | 0.5000 | 0.5004 | 0.0005 | 0.0019 | 0.4954 | 0.5045 | 0.0050 |
| | OD  | | 0.4985 | 0.4995 | | | | | |
| F | ID 345,405 345,405 209,244 | 2 6 8 | 0.4375 | 0.4379 | 0.0005 | 0.0019 | 0.4329 | 0.4420 | 0.0050 |
| | OD  | | 0.4360 | 0.4370 | | | | | |
| G | ID 240 146 | 2,6, 8 | 0.5000 | 0.5005 | 0.0005 | 0.0020 | | | |
| | OD  | | 0.4985 | 0.4995 | | | | | |

ALL DIMENSIONS ARE IN INCHES

-  114T3007 (REF))
-  114T3001 (REF)
-  BACB30LT7-17 (REF)
-  USE C FOR AIRPLANES WITH RIB ASSEMBLY (IPL FIG. 2,6; 100) (IPL FIG. 8; 59).
USE D FOR AIRPLANES WITH RIB ASSEMBLY (IPL FIG. 8; 59A)
-  INSTALLATION BOLT BACB30LE7DU20
-  INSTALLATION BOLT 114T3051
-  INSTALLATION BOLT NAS6708D20

Fits and Clearances
 Figure 801 (Sheet 4)

57-43-37

FITS AND CLEARANCES
 01.1 Page 804
 Mar 01/04

SPECIAL TOOLS, FIXTURES, AND EQUIPMENT

NOTE: Equivalent substitutes may be used.

1. A57003-2, -3, -4 - Inboard LE Slat Wedge Replacement Locating Equipment *[1]
2. Holding Fixture - Slat Structure Assembly Holding Fixture *[2]

*[1] A57003 supersedes MIT114T4111.

*[2] Locally fabricated from wood or equivalent material. Refer to Fig. 601 of REPAIR 19-1.

57-43-37

SPECIAL TOOLS

01.1

Page 901

Jun 01/97

ILLUSTRATED PARTS LIST

1. This section lists and illustrates replaceable or repairable component parts. The Illustrated Parts Catalog contains a complete explanation of the Boeing part numbering system.

2. Indentures show parts relationships as follows:

Assembly

Detail Parts for Assembly

Subassembly

Attaching Parts for Subassembly

Detail Parts for Subassembly

Detail Installation Parts (Included only if installation parts may be returned to shop as part of assembly)

3. One use code letter (A, B, C, etc.) is assigned in the EFF CODE column for each variation of top assembly. All listed parts are used on all top assemblies except when limitations are shown by use code letter opposite individual part entries.

4. Letter suffixes (alpha-variants) are added to item numbers for optional parts, Service Bulletin modification parts, configuration differences (Except left- and right-hand parts), product improvement parts, and parts added between two sequential item numbers. The alpha-variant is not shown on illustrations when appearance and location of all variants of the part is the same.

5. Service Bulletin modifications are shown by the notations PRE SB XXXX and POST SB XXXX.

A. When a new top assembly part number is assigned by Service Bulletin, the notations appear at the top assembly level only. The configuration differences at detail part level are then shown by use code letter.

B. When the top assembly part number is not changed by the Service Bulletin, the notations appear at the detail part level.

6. Parts Interchangeability

Optional
(OPT)

The parts are optional to and interchangeable with other parts having the same item number.

Supersedes, Superseded By
(SUPSDS, SUPSD BY)

The part supersedes and is not interchangeable with the original part.

Replaces, Replaced By
(REPLS, REPLD BY)

The part replaces and is interchangeable with, or is an alternate to, the original part.

57-43-37

7. Boeing Proprietary Color Coded Parts

| Color coded parts are identified with an alpha suffix. This entry represents consolidation of all color codes applicable for a given usage. Orders for color coded parts should include the registry number of the airplane for which the parts are ordered.

57-43-37

ILLUSTRATED PARTS LIST
01.1 Page 1002
Jul 01/03

VENDORS

S0352 NIPPON MINIATURE BEARING CO LTD
TOKYO, JAPAN

OPTK6 SPS TECHNOLOGIES INC AEROSPACE PRODUCTS DIV
5195 W 4700 SPO BOX 18459
KEARNS, UTAH 84118

06710 LAMSON AND SESSIONS CO THE VALLEY-TODECO
12975 BRADLEY AVENUE
SYLMAR, CALIFORNIA 91342-3830
FORMERLY VALLEY BOLT CORP VB0097 IN NORTH HOLLYWOOD, CA

06725 AIR INDUSTRIES CORPORATION
12570 KNOTT STREET
GARDEN GROVE, CALIFORNIA 92641-3932
FORMERLY AIR INDUSTRIES OF CALIF IN GARDENA, CALIF.

08524 DEUTSCH FASTENER CORP SEE CODE V97928

10630 ANILLO INDUSTRIES, INCORPORATED
2090 NORTH GLASSELL
ORANGE, CALIFORNIA 92667
FORMERLY WESTERN WASHER DIV OF SENG CO V87487

11815 CHERRY AEROSPACE FASTENERS DIV OF TEXTRON
1224 EAST WARNER AVENUE PO BOX 2157
SANTA ANA, CALIFORNIA 92707-0157
FORMERLY IN LOS ANGELES, CALIF, FORMERLY CHERRY FASTENERS
TOWNSEND DIV OF TEXTRON INC V71087

15653 FAIRCHILD FASTENERS KAYNAR PRODUCTS DIV
800 S STATE COLLEGE BLVD
FULLERTON, CALIFORNIA 92831-3001
FORMERLY VK6405 MICRODOT AEROSP LTD; FORMERLY KAYNAR TECH
KAYNAR DIV

15860 NEW HAMPSHIRE BALL BEARINGS, INCORPORATED ASTRO DIVISION
155 LEXINGTON AVENUE
LACONIA, NEW HAMPSHIRE 03246-2937
FORMERLY ASTRO BEARING CORP, LOS ANGELES, CALIF.

23589 NIPPON MINATURE BEARING CORP SEE NMB CORP V50294

27238 BRISTOL INDUSTRIES
630 EAST LAMBERT ROAD PO BOX 630
BREA, CALIFORNIA 92621-4119

57-43-37

ILLUSTRATED PARTS LIST
01.1 Page 1003
Jul 01/03

VENDORS

5M902 FAIRCHILD IND INC FAIRCHILD AEROSPACE FASTENER DIV
3016 W LOMITA BLVD
TORRANCE, CALIFORNIA 90505-5103
FMLY IN REDONDO BEACH, CALIF

50632 KAMATICS CORP SUB OF KAMAN CORP
1335 BLUE HILLS ROAD
BLOOMFIELD, CONNECTICUT 06002-1304

52828 REPUBLIC FASTENER MFG CORP
1300 RANCHO CONEJO BLVD
NEWBURY PARK, CALIFORNIA 91320-1405
FORMERLY IN SYLMAR, CALIFORNIA

56878 SPS TECHNOLOGIES INC AEROSPACE AND INDUSTRIAL PRODUCTS DIV
HIGHLAND AVENUE
JENKINTOWN, PENNSYLVANIA 19046
FORMERLY STANDARD PRESSED STEEL

60516 WEST COAST AEROSPACE INC
812 MIRAFLORES STREET
SAN PEDRO, CALIFORNIA 90731-1439

62554 SIMMONDS MECAERO FASTENERS INC
1734 SEQUOIA AVENUE
ORANGE, CALIFORNIA 92668

71087 BOOTS ACFT NUT DIV TOWNSEND CO SEE TEXTRON INC CHERRY
FASTENER TOWNSEND DIV V11815

72962 HARVARD INDUSTRIES INC
3 WERNER WAY SUITE 210
LEBANON, NEW JERSEY 08833
FORMERLY AMERACE CORP ESNA DIV
FORMERLY ELASTIC STOP NUT IN UNION, NJ

73134 IMO INDUSTRIES INC HEIM BEARINGS DIV
60 ROUND HILL ROAD PO BOX 430
FAIRFIELD, CONNECTICUT 06430
FORMERLY INCOM INTL INC HEIM DIV; FORMERLY HEIM UNIVERSAL
CORP INCOM INTL INC; FORMERLY HEIM DIV INCOM INTL

73197 HI-SHEAR TECHNOLOGY CORP
2600 SKYPARK DRIVE
TORRANCE, CALIFORNIA 90509

57-43-37

ILLUSTRATED PARTS LIST
01.1 Page 1004
Jul 01/03

VENDORS

80539 SPS TECHNOLOGIES INC AEROSPACE PRODUCTS DIV
2701 SOUTH HARBOR BOULEVARD PO BOX 1259
SANTA ANA, CALIFORNIA 92702-1259
FORMERLY NUTT-SHEL DIV OF SPC WESTERN CO V80539
AND STANDARD PRESSED STEEL WESTERN DIV V17279

81376 SOUTHWEST PRODUCTS COMPANY
2240 BUENA VISTA STREET
IRVINDALE, CALIFORNIA 91706
FORMERLY IN MONROVIA, CALIFORNIA 91016

92215 FAIRCHILD IND INC FAIRCHILD AEROSPACE FASTENER DIV
3010 W LOMITA BLVD
TORRANCE, CALIFORNIA 90505-5102
FORMERLY VOI-SHAN IN CULVER CITY, CALIF

97613 SARGENT CONTROLS & AEROSPACE/KAHR BEARING DIV
5675 W BURLINGAME RD
TUCSON, ARIZONA 85743
FORMERLY AETNA STEEL PROD KAHR BEARING DIV V96579
FORMERLY SARGENT IND KAHR BEARING DIV, BURBANK, CALIFORNIA

97928 HUCK INTL INC
3969 PARAMOUNT BLVD
LAKEWOOD, CALIFORNIA 90712-4193

57-43-37

ILLUSTRATED PARTS LIST
01.1 Page 1005
Jul 01/03

| PART NUMBER | AIRLINE PART NO. | FIG. | ITEM | TTL REQ |
|-------------|---------------------|------|------|------------|
| ABWEN08 | | 2 | 250 | 1 |
| | | 6 | 250 | 1 |
| | | 8 | 152 | 1 |
| ADB07V301NC | | 2 | 345 | 1 |
| | | 2 | 405 | 1 |
| | | 6 | 345 | 1 |
| | | 6 | 405 | 1 |
| | | 8 | 209 | 1 |
| | | 8 | 244 | 1 |
| | | 2 | 65 | 1 |
| | | 2 | 147 | 1 |
| ADB08V301NC | | 6 | 65 | 1 |
| | | 6 | 147 | 1 |
| | | 8 | 38 | 1 |
| | | 8 | 89 | 1 |
| | | 2 | 250 | 1 |
| | | 6 | 250 | 1 |
| | | 8 | 152 | 1 |
| | | 1 | 54 | 69 |
| AN960PD10L | | 1 | 58 | 2 |
| | | 1 | 66 | 6 |
| | | 1 | 108 | 137 |
| | | 1 | 128 | 23 |
| | | 1 | 136 | 17 |
| | | 1 | 320 | 50 |
| | | 1 | 328 | 20 |
| | | 1 | 516 | 112 |
| | | 1 | 526 | 28 |
| | | 1 | 540 | 3 |
| | | 3 | 75 | 54 |
| | | 3 | 77 | 53 |
| | | 3 | 190 | 36 |
| | | 3 | 192 | 34 |
| | | 3 | 305 | 43 |
| | | 3 | 390 | 37 |
| | | 3 | 510 | 2 |
| | | 3 | 570 | 2 |
| | | 3 | 640 | 3 |
| | | 5 | 95 | 67 |
| 5 | 130 | 6 | | |
| 5 | 225 | 73 | | |
| 5 | 275 | 23 | | |
| 5 | 435 | 50 | | |

57-43-37

ILLUSTRATED PARTS LIST
 01.1 Page 1006
 Jul 01/03

015T0165
 015T1507
 114T3100
 DASH NUMBERS LIMITED

 **BOEING**
 COMPONENT
 MAINTENANCE MANUAL

| PART NUMBER | AIRLINE PART NO. | FIG. | ITEM | TTL REQ | |
|-------------|---------------------|------|------|------------|---|
| AN960PD10L | | 5 | 450 | 2 | |
| | | 5 | 550 | 112 | |
| | | 5 | 568 | 3 | |
| | | 7 | 68 | 69 | |
| | | 7 | 83 | 6 | |
| | | 7 | 137 | 147 | |
| | | 7 | 266 | 62 | |
| | | 7 | 377 | 120 | |
| | | 7 | 404 | 3 | |
| | AN960PD8L | | 1 | 260 | 4 |
| | | | 1 | 300A | 4 |
| | | | 1 | 456 | 4 |
| | | | 1 | 496 | 4 |
| | | 1 | 660 | 4 | |
| | | 1 | 704 | 4 | |
| | | 5 | 390 | 4 | |
| | | 5 | 530 | 4 | |
| | | 5 | 612 | 4 | |
| | | 7 | 236 | 4 | |
| | | 7 | 347 | 4 | |
| | | 7 | 470 | 2 | |
| | | 7 | 471 | 2 | |
| AS46-3 | | 1 | 200 | 4 | |
| | | 1 | 284 | 4 | |
| | | 1 | 402 | 2 | |
| | | 1 | 482 | 2 | |
| | | 1 | 592 | 2 | |
| | | 1 | 686 | 2 | |
| | | 2 | 30 | 4 | |
| | | 2 | 120A | 4 | |
| | | 2 | 200 | 6 | |
| | | 2 | 315 | 4 | |
| | | 5 | 350 | 4 | |
| | | 5 | 516 | 2 | |
| | | 5 | 594 | 2 | |
| | | 6 | 30 | 4 | |
| | | 6 | 120 | 4 | |
| | | 6 | 200 | 6 | |
| | | 6 | 315 | 4 | |
| | 7 | 212 | 4 | | |
| | 7 | 326 | 2 | | |
| | 7 | 443 | 2 | | |
| | 8 | 20 | 4 | | |

57-43-37

ILLUSTRATED PARTS LIST
 01.1 Page 1007
 Jul 01/03

| PART NUMBER | AIRLINE PART NO. | FIG. | ITEM | TTL REQ |
|----------------|---------------------|------|------|------------|
| AS46-3 | | 8 | 71 | 4 |
| | | 8 | 122 | 6 |
| | | 8 | 191 | 4 |
| BACB10EN08 | | 2 | 250 | 1 |
| | | 6 | 250 | 1 |
| | | 8 | 152 | 1 |
| BACB10FA07GC | | 8 | 89A | 1 |
| | | 2 | 345 | 1 |
| BACB10FB07GC | | 2 | 405 | 1 |
| | | 6 | 345 | 1 |
| | | 6 | 405 | 1 |
| | | 8 | 209 | 1 |
| | | 8 | 244 | 1 |
| | | 2 | 65 | 1 |
| BACB10FB08GC | | 2 | 147 | 1 |
| | | 6 | 65 | 1 |
| | | 6 | 147 | 1 |
| | | 8 | 38 | 1 |
| | | 8 | 89 | 1 |
| | | 2 | 912 | 1 |
| BACB28AK08-037 | | 2 | 932 | 1 |
| BACB28AK08-046 | | 2 | 968 | 1 |
| BACB28AK08-057 | | 1 | 266 | 2 |
| BACB28AP08P019 | | 1 | 306 | 2 |
| | | 1 | 462 | 2 |
| | | 1 | 490 | 2 |
| | | 1 | 666 | 2 |
| | | 1 | 698 | 2 |
| | | 5 | 405 | 2 |
| | | 5 | 524 | 2 |
| | | 5 | 606 | 2 |
| | | 7 | 245 | 2 |
| | | 7 | 338 | 2 |
| | | 7 | 461 | 2 |

57-43-37

| PART NUMBER | AIRLINE PART NO. | FIG. | ITEM | TTL REQ |
|--------------|---------------------|------|------|------------|
| BACB28U7C031 | | 1 | 268A | 2 |
| BACB28U7C034 | | 1 | 464 | 2 |
| BACB28U7C038 | | 1 | 668A | 2 |
| BACB28U7C076 | | 1 | 642A | 1 |
| BACB28U7C090 | | 1 | 242 | 1 |
| | | 1 | 438 | 2 |
| BACB28U8C047 | | 1 | 624 | 2 |
| BACB28U8C051 | | 1 | 420 | 2 |
| BACB28U8C052 | | 1 | 234 | 2 |
| BACB28U8C076 | | 1 | 626 | 1 |
| BACB28U8C090 | | 1 | 236 | 1 |
| BACB28U8C090 | | 1 | 422 | 1 |
| BACB30LE7-27 | | 1 | 628 | 1 |
| BACB30LE7-28 | | 1 | 224 | 1 |
| BACB30LE7-29 | | 1 | 424 | 1 |
| BACB30LE8-30 | | 1 | 614 | 1 |
| BACB30LE8-34 | | 1 | 214 | 1 |
| | | 1 | 410 | 1 |
| BACB30MY6K | | 1 | 72 | 6 |
| | | 1 | 170 | 20 |
| | | 1 | 374 | 24 |
| | | 1 | 566 | 30 |
| | | 5 | 145 | 6 |
| | | 7 | 92 | 6 |
| BACB30ND6A3X | | 1 | 487D | 6 |
| | | 1 | 691D | 8 |
| BACB30ND6A4X | | 1 | 487H | 6 |
| | | 1 | 691H | 10 |
| BACB30ND6A5X | | 1 | 487 | 8 |
| | | 1 | 691 | 20 |
| BACB30ND6A6X | | 1 | 487M | 8 |
| | | 1 | 691M | 4 |
| BACB30ND6A7X | | 1 | 487R | 6 |
| BACB30ND6A8X | | 1 | 487V | 2 |
| BACB30NM4K16 | | 3 | 10 | 3 |

57-43-37

| PART NUMBER | AIRLINE PART NO. | FIG. | ITEM | TTL REQ |
|-------------|---------------------|------|------|------------|
| BACB30NN3K4 | | 3 | 610 | 4 |
| BACB30NN3K5 | | 3 | 460 | 17 |
| BACB30NN3K6 | | 1 | 60 | 23 |
| | | 1 | 68 | 6 |
| | | 1 | 76 | 6 |
| | | 1 | 110 | 25 |
| | | 1 | 130 | 4 |
| | | 1 | 138 | 3 |
| | | 1 | 148 | 18 |
| | | 1 | 322 | 15 |
| | | 1 | 330 | 2 |
| | | 1 | 336 | 13 |
| | | 1 | 518 | 22 |
| | | 1 | 528 | 2 |
| | | 1 | 532 | 19 |
| | | 1 | 533 | 21 |
| | | 3 | 290 | 1 |
| | | 3 | 375 | 1 |
| BACB30NN3K6 | | 5 | 110 | 23 |
| | | 5 | 135 | 6 |
| | | 5 | 155 | 6 |
| | | 5 | 230 | 19 |
| | | 5 | 280 | 4 |
| | | 5 | 305 | 18 |
| | | 5 | 440 | 15 |
| | | 5 | 455 | 13 |
| | | 5 | 552 | 22 |
| | | 5 | 560 | 19 |
| | | 7 | 71 | 23 |
| | | 7 | 86 | 6 |
| | | 7 | 98 | 6 |
| | | 7 | 140 | 25 |
| | | 7 | 185 | 18 |
| | | 7 | 269 | 15 |
| | | 7 | 275 | 13 |
| | | 7 | 380 | 22 |
| | | 7 | 392 | 19 |

57-43-37

ILLUSTRATED PARTS LIST
 01.1 Page 1010
 Jul 01/03

015T0165
 015T1507
 114T3100
 DASH NUMBERS LIMITED

 **BOEING**
 COMPONENT
 MAINTENANCE MANUAL

| PART NUMBER | AIRLINE PART NO. | FIG. | ITEM | TTL REQ |
|--------------|---------------------|------|------|------------|
| BACB30NN3K7 | | 3 | 55 | 2 |
| | | 3 | 57 | 1 |
| BACB30NN5K | | 1 | 694 | 14 |
| | | 5 | 602 | 14 |
| | | 7 | 455 | 14 |
| BACB30NT3K10 | | 3 | 65 | 10 |
| | | 3 | 67 | 9 |
| BACB30NT3K3 | | 1 | 52 | 69 |
| | | 1 | 56 | 2 |
| | | 1 | 64 | 6 |
| | | 1 | 106 | 137 |
| | | 1 | 126 | 23 |
| | | 1 | 134 | 17 |
| | | 1 | 318 | 50 |
| | | 1 | 326 | 20 |
| | | 1 | 514 | 112 |
| | | 1 | 524 | 28 |
| | | 1 | 538 | 3 |
| | | 3 | 70 | 44 |
| | | 3 | 185 | 36 |
| | | 3 | 187 | 34 |
| 3 | 300 | 43 | | |
| 3 | 385 | 37 | | |
| BACB30NT3K3 | | 5 | 90 | 67 |
| | | 5 | 125 | 6 |
| | | 5 | 220 | 73 |
| | | 5 | 270 | 23 |
| | | 5 | 432 | 50 |
| | | 5 | 548 | 112 |
| | | 5 | 566 | 3 |
| | | 7 | 65 | 71 |
| | | 7 | 80 | 6 |
| | | 7 | 134 | 147 |
| | | 7 | 263 | 62 |
| | | 7 | 374 | 120 |
| | | 7 | 401 | 3 |

57-43-37

ILLUSTRATED PARTS LIST
 01.1 Page 1011
 Jul 01/03

| PART NUMBER | AIRLINE PART NO. | FIG. | ITEM | TTL REQ |
|-------------|---------------------|------|------|------------|
| BACB30NT3K4 | | 3 | 505 | 2 |
| | | 3 | 565 | 2 |
| | | 3 | 635 | 3 |
| BACB30NT3K8 | | 1 | 146 | 2 |
| | | 1 | 342 | 6 |
| | | 1 | 542 | 5 |
| | | 5 | 300 | 2 |
| | | 5 | 470 | 6 |
| | | 5 | 570 | 5 |
| | | 7 | 182 | 2 |
| | | 7 | 284 | 6 |
| | | 7 | 407 | 5 |
| | BACB30NU3K3 | | 1 | 196 |
| | | 1 | 280 | 4 |
| | | 2 | 20 | 4 |
| | | 2 | 110 | 4 |
| | | 2 | 190 | 6 |
| | | 2 | 305 | 4 |
| | | 5 | 340 | 4 |
| | | 6 | 20 | 4 |
| | | 6 | 110 | 4 |
| | | 6 | 190 | 6 |
| | | 6 | 305 | 4 |
| | | 7 | 206 | 4 |
| | | 8 | 14 | 4 |
| | | 8 | 65 | 4 |
| | | 8 | 116 | 6 |
| BACB30NU3K4 | | 8 | 185 | 4 |
| | | 1 | 588 | 2 |
| | | 1 | 682 | 2 |
| | | 5 | 590 | 2 |
| BACB30NU3K5 | | 7 | 437 | 2 |
| | | 1 | 398 | 2 |
| | | 1 | 478 | 2 |
| | | 5 | 512 | 2 |
| | | 7 | 320 | 2 |

57-43-37

ILLUSTRATED PARTS LIST
 01.1 Page 1012
 Jul 01/03

015T0165
 015T1507
 114T3100
 DASH NUMBERS LIMITED

 **BOEING**
 COMPONENT
 MAINTENANCE MANUAL

| PART NUMBER | AIRLINE PART NO. | FIG. | ITEM | TTL REQ | |
|-------------|---------------------|------|------|------------|---|
| BACB30NW5K | | 1 | 42 | 65 | |
| | | 1 | 292 | 6 | |
| | | 1 | 735 | 90 | |
| | | 1 | 745 | 10 | |
| | | 1 | 780 | 124 | |
| | | 5 | 65 | 62 | |
| | | 5 | 370 | 6 | |
| | | 5 | 645 | 90 | |
| | | 5 | 675 | 124 | |
| | | 7 | 50 | 65 | |
| | | 7 | 224 | 6 | |
| | | 7 | 510 | 90 | |
| | | 7 | 540 | 124 | |
| | BACB30NW5K4 | | 1 | 258 | 2 |
| | | | 1 | 298 | 2 |
| | | | 1 | 454 | 2 |
| | | | 1 | 494 | 1 |
| | | 1 | 658 | 2 | |
| | | 1 | 702 | 2 | |
| | | 5 | 385 | 2 | |
| | | 5 | 528 | 1 | |
| | | 5 | 610 | 2 | |
| | | 7 | 233 | 2 | |
| | | 7 | 344 | 1 | |
| | | 7 | 466 | 1 | |
| | | 7 | 467 | 1 | |
| BACB30NW5K5 | | 1 | 256 | 2 | |
| | | 1 | 296 | 2 | |
| | | 1 | 452 | 2 | |
| | | 1 | 492 | 3 | |
| | | 1 | 656 | 2 | |
| | | 1 | 700 | 2 | |
| | | 5 | 380 | 2 | |
| | | 5 | 526 | 3 | |
| | | 5 | 608 | 2 | |
| | | 7 | 230 | 2 | |
| | | 7 | 341 | 3 | |
| | | 7 | 464 | 1 | |
| | | 7 | 465 | 1 | |

57-43-37

ILLUSTRATED PARTS LIST
 01.1 Page 1013
 Jul 01/03

| PART NUMBER | AIRLINE PART NO. | FIG. | ITEM | TTL REQ |
|-------------|---------------------|------|------|------------|
| BACB30NW6K | | 1 | 46 | 127 |
| | | 1 | 204 | 22 |
| BACB30NW6K | | 1 | 209 | 2 |
| | | 1 | 288 | 22 |
| | | 1 | 406 | 34 |
| | | 1 | 486 | 34 |
| | | 1 | 596 | 2 |
| | | 1 | 604 | 10 |
| | | 1 | 690 | 24 |
| | | 2 | 40 | 2 |
| | | 2 | 130 | 2 |
| | | 2 | 210 | 2 |
| | | 2 | 325A | 2 |
| | | 2 | 385 | 2 |
| | | 5 | 75 | 123 |
| | | 5 | 360 | 22 |
| | | 5 | 520 | 34 |
| | | 5 | 598 | 24 |
| | | 6 | 40 | 2 |
| | | 6 | 130 | 2 |
| | | 6 | 210 | 2 |
| | | 6 | 325 | 2 |
| | | 6 | 385 | 2 |
| | | 7 | 56 | 127 |
| | | 7 | 218 | 22 |
| | | 7 | 332 | 34 |
| | | 7 | 449 | 24 |
| | | 8 | 26 | 2 |
| | | 8 | 77 | 2 |
| | | 8 | 128 | 2 |
| | | 8 | 197 | 2 |
| | | 8 | 232 | 2 |
| BACB30YP5K4 | | 7 | 467A | 1 |
| BACB30YP5K6 | | 7 | 341A | 3 |
| | | 7 | 344A | 1 |
| | | 7 | 464A | 1 |
| | | 7 | 465A | 1 |
| | | 7 | 466A | 1 |
| BACB30YP5K7 | | 7 | 465B | 1 |
| | | 7 | 467B | 1 |
| BACC30AG5 | | 1 | 294 | 6 |
| | | 1 | 696 | 14 |
| | | 5 | 375 | 6 |
| | | 5 | 604 | 14 |
| | | 7 | 227 | 6 |
| | | 7 | 458 | 14 |

57-43-37

 ILLUSTRATED PARTS LIST
 01.1 Page 1014
 Jul 01/03

015T0165
 015T1507
 114T3100
 DASH NUMBERS LIMITED

 **BOEING**
 COMPONENT
 MAINTENANCE MANUAL

| PART NUMBER | AIRLINE PART NO. | FIG. | ITEM | TTL REQ |
|-------------|---------------------|------|------|------------|
| BACC30AG6 | | 1 | 50 | 28 |
| BACC30AG6 | | 1 | 174 | 10 |
| | | 1 | 198 | 4 |
| | | 1 | 209G | 2 |
| | | 1 | 282 | 4 |
| | | 1 | 290 | 22 |
| | | 1 | 378 | 8 |
| | | 1 | 400 | 2 |
| | | 1 | 408A | 34 |
| | | 1 | 480 | 2 |
| | | 1 | 488 | 34 |
| | | 1 | 570 | 14 |
| | | 1 | 590 | 2 |
| | | 1 | 684 | 2 |
| | | 1 | 692 | 24 |
| | | 2 | 25 | 4 |
| | | 2 | 50 | 2 |
| | | 2 | 115 | 4 |
| | | 2 | 135 | 2 |
| | | 2 | 195 | 6 |
| | | 2 | 215 | 2 |
| | | 2 | 310 | 4 |
| | | 2 | 330 | 2 |
| | | 2 | 390 | 2 |
| | | 5 | 85 | 27 |
| | | 5 | 345 | 4 |
| | | 5 | 365 | 22 |
| | | 5 | 514 | 2 |
| | | 5 | 522 | 34 |
| | | 5 | 592 | 2 |
| | | 5 | 600 | 24 |
| | | 6 | 25 | 4 |
| | | 6 | 50 | 2 |
| | | 6 | 115 | 4 |
| | | 6 | 135 | 2 |
| | | 6 | 195 | 6 |
| | | 6 | 215 | 2 |
| | | 6 | 310 | 4 |
| | | 6 | 330 | 2 |
| | | 6 | 390 | 2 |
| | | 7 | 62 | 28 |
| | | 7 | 209 | 4 |
| | | 7 | 221 | 22 |
| | | 7 | 323 | 2 |
| | | 7 | 335 | 34 |
| | | 7 | 440 | 2 |

57-43-37

ILLUSTRATED PARTS LIST
 01.1 Page 1015
 Jul 01/03

| PART NUMBER | AIRLINE PART NO. | FIG. | ITEM | TTL REQ |
|-------------|---------------------|------|------|------------|
| BACC30AG6 | | 7 | 452 | 24 |
| | | 8 | 17 | 4 |
| | | 8 | 29 | 2 |
| | | 8 | 68 | 4 |
| | | 8 | 80 | 2 |
| | | 8 | 119 | 6 |
| | | 8 | 131 | 2 |
| | | 8 | 188 | 4 |
| | | 8 | 200 | 2 |
| | | 8 | 235 | 2 |
| BACC30M5 | | 1 | 44 | 65 |
| | | 1 | 606 | 10 |
| | | 1 | 760 | 90 |
| | | 1 | 765 | 10 |
| | | 1 | 795 | 124 |
| | | 5 | 70 | 62 |
| | | 5 | 660 | 90 |
| | | 5 | 690 | 124 |
| | | 7 | 53 | 65 |
| | | 7 | 525 | 90 |
| BACC30M6 | | 7 | 555 | 124 |
| | | 1 | 48 | 99 |
| | | 1 | 74 | 6 |
| | | 1 | 172 | 10 |
| | | 1 | 176 | 10 |
| | | 1 | 206 | 22 |
| | | 1 | 376 | 8 |
| | | 1 | 380 | 16 |
| | | 1 | 489 | 36 |
| | | 1 | 568 | 14 |
| BACN10HR7 | | 1 | 572 | 18 |
| | | 1 | 598 | 2 |
| | | 1 | 693 | 42 |
| | | 5 | 80 | 96 |
| | | 5 | 150 | 6 |
| | | 7 | 59 | 99 |
| | | 7 | 95 | 6 |
| | | 1 | 232 | 1 |
| | | 1 | 432 | 1 |
| | | 1 | 636 | 1 |
| BACN10HR8 | | 1 | 222 | 1 |
| | | 1 | 418 | 1 |
| | | 1 | 622 | 1 |

57-43-37

ILLUSTRATED PARTS LIST
 01.1 Page 1016
 Jul 01/03

015T0165
 015T1507
 114T3100
 DASH NUMBERS LIMITED

 **BOEING**
 COMPONENT
 MAINTENANCE MANUAL

| PART NUMBER | AIRLINE PART NO. | FIG. | ITEM | TTL REQ | | |
|--------------|---------------------|--------------|------|------------|-----|---|
| BACN10JC08CD | | 1 | 262 | 4 | | |
| | | 1 | 302 | 4 | | |
| BACN10JC08CD | | 1 | 458 | 4 | | |
| | | 1 | 498 | 4 | | |
| | | 1 | 662 | 4 | | |
| | | 1 | 706A | 4 | | |
| | | 5 | 395 | 4 | | |
| | | 5 | 532 | 4 | | |
| | | 5 | 614 | 4 | | |
| | | 7 | 239 | 4 | | |
| | | 7 | 350 | 4 | | |
| | | 7 | 473 | 4 | | |
| | | BACN10JD8ASU | | 2 | 910 | 1 |
| | | | | 2 | 930 | 1 |
| | | | | 2 | 956 | 1 |
| | | BACN10JN3 | | 1 | 16 | 2 |
| 1 | 94 | | | 129 | | |
| 1 | 124 | | | 47 | | |
| 1 | 133G | | | 10 | | |
| 1 | 182 | | | 1 | | |
| 1 | 310 | | | 2 | | |
| 1 | 364 | | | 32 | | |
| 1 | 368 | | | 2 | | |
| 1 | 386 | | | 2 | | |
| 1 | 523G | | | 45 | | |
| 1 | 545G | | | 6 | | |
| 1 | 578 | | | 3 | | |
| 1 | 714 | | | 6 | | |
| 2 | 270 | | | 4 | | |
| 2 | 355 | | | 8 | | |
| 2 | 415 | | | 8 | | |
| 2 | 460 | | | 1 | | |
| 2 | 500 | | | 1 | | |
| 2 | 540 | | | 1 | | |
| 2 | 580 | | | 1 | | |
| 2 | 620 | | | 1 | | |
| 2 | 655 | 1 | | | | |
| 2 | 695 | 1 | | | | |
| 2 | 735 | 1 | | | | |
| 2 | 775 | 1 | | | | |
| 2 | 809 | 1 | | | | |
| 2 | 833 | 1 | | | | |
| 2 | 856 | 1 | | | | |
| 2 | 883 | 1 | | | | |
| 3 | 245 | 6 | | | | |
| 3 | 315 | 21 | | | | |
| 3 | 435 | 19 | | | | |

57-43-37

ILLUSTRATED PARTS LIST
 01.1 Page 1017
 Jul 01/03

| PART NUMBER | AIRLINE PART NO. | FIG. | ITEM | TTL REQ |
|-------------|---------------------|------|------|------------|
| BACN10JN3 | | 3 | 485 | 3 |
| | | 3 | 550 | 2 |
| | | 3 | 665 | 3 |
| | | 5 | 20 | 2 |
| | | 5 | 190 | 125 |
| | | 5 | 265 | 47 |
| | | 5 | 295 | 10 |
| | | 5 | 415 | 2 |
| | | 5 | 502 | 32 |
| | | 5 | 506 | 2 |
| | | 5 | 558 | 45 |
| | | 5 | 576 | 6 |
| | | 5 | 622 | 6 |
| | | 6 | 270 | 4 |
| | | 6 | 355 | 8 |
| | | 6 | 415 | 8 |
| | | 6 | 460 | 1 |
| | | 6 | 500 | 1 |
| | | 6 | 540 | 1 |
| | | 6 | 580 | 1 |
| | | 6 | 606 | 1 |
| | | 6 | 622 | 1 |
| | | 6 | 638 | 1 |
| | | 6 | 654 | 1 |
| | | 6 | 670 | 1 |
| | | 6 | 686 | 1 |
| | | 6 | 700 | 1 |
| | | 6 | 718 | 1 |
| | | 7 | 17 | 2 |
| | | 7 | 119 | 129 |
| | | 7 | 161 | 47 |
| | | 7 | 251 | 2 |
| | | 7 | 305 | 32 |
| | | 7 | 311 | 2 |
| | | 7 | 389 | 46 |
| | | 7 | 416 | 2 |
| | | 7 | 485 | 6 |
| | | 8 | 164 | 4 |
| | | 8 | 214 | 8 |
| | | 8 | 250 | 8 |
| | 8 | 277 | 1 | |
| | 8 | 301 | 1 | |
| | 8 | 325 | 1 | |
| | 8 | 349 | 1 | |
| | 8 | 373 | 1 | |

57-43-37

ILLUSTRATED PARTS LIST
 01.1 Page 1018
 Jul 01/03

015T0165
 015T1507
 114T3100
 DASH NUMBERS LIMITED

 **BOEING**
 COMPONENT
 MAINTENANCE MANUAL

| PART NUMBER | AIRLINE PART NO. | FIG. | ITEM | TTL REQ |
|-------------|---------------------|------|------|------------|
| BACN10JN3 | | 8 | 394 | 1 |
| | | 8 | 418 | 1 |
| | | 8 | 442 | 1 |
| | | 8 | 466 | 1 |
| | | 8 | 490 | 1 |
| | | 8 | 514 | 1 |
| | | 8 | 538 | 1 |
| | | 8 | 565 | 1 |
| BACN10JN4 | | 2 | 859 | 3 |
| | | 6 | 702 | 3 |
| | | 8 | 541 | 3 |
| BACN10JQ32 | | 1 | 22 | 30 |
| | | 1 | 26 | 4 |
| | | 1 | 30 | 10 |
| | | 1 | 180 | 15 |
| | | 1 | 384 | 20 |
| | | 1 | 504 | 7 |
| | | 1 | 576 | 28 |
| | | 1 | 712 | 4 |
| | | 2 | 75 | 6 |
| | | 2 | 155 | 8 |
| | | 2 | 265 | 6 |
| | | 2 | 455 | 2 |
| | | 2 | 495 | 2 |
| | | 2 | 535 | 2 |
| | | 2 | 575 | 2 |
| | | 2 | 615 | 5 |
| | | 2 | 650 | 2 |
| | | 2 | 690 | 4 |
| | | 2 | 730 | 3 |
| | | 2 | 770 | 7 |
| | | 2 | 806 | 8 |
| | | 2 | 830 | 10 |
| | | 2 | 853 | 3 |
| | | 2 | 880 | 10 |
| | 3 | 490 | 14 | |
| | 5 | 30 | 30 | |
| | 5 | 40 | 10 | |
| | 5 | 538 | 7 | |
| | 5 | 620 | 4 | |
| | 6 | 75 | 6 | |
| | 6 | 155 | 8 | |
| | 6 | 265 | 6 | |
| | 6 | 455 | 2 | |
| | 6 | 495 | 2 | |

57-43-37

ILLUSTRATED PARTS LIST
 01.1 Page 1019
 Jul 01/03

| PART NUMBER | AIRLINE PART NO. | FIG. | ITEM | TTL REQ |
|-------------|---------------------|------|------|------------|
| BACN10JQ32 | | 6 | 535 | 2 |
| | | 6 | 575 | 5 |
| | | 6 | 604 | 2 |
| | | 6 | 620 | 4 |
| | | 6 | 636 | 3 |
| | | 6 | 652 | 7 |
| | | 6 | 668 | 8 |
| | | 6 | 684 | 10 |
| | | 6 | 716 | 10 |
| | | 7 | 29 | 30 |
| | | 7 | 35 | 10 |
| | | 7 | 359 | 7 |
| | | 7 | 482 | 4 |
| | | 8 | 44 | 6 |
| | | 8 | 95 | 8 |
| | | 8 | 161 | 6 |
| | | 8 | 274 | 2 |
| | | 8 | 298 | 2 |
| | | 8 | 322 | 2 |
| | | 8 | 346 | 2 |
| | | 8 | 370 | 5 |
| | | 8 | 391 | 2 |
| | | 8 | 415 | 4 |
| | | 8 | 439 | 3 |
| | | 8 | 463 | 7 |
| | | 8 | 487 | 8 |
| | | 8 | 511 | 10 |
| | | 8 | 535 | 3 |
| | 8 | 562 | 10 | |
| BACN10JQ34 | | 1 | 21 | 4 |
| | | 5 | 25 | 4 |
| | | 7 | 26 | 4 |
| BACN10JQ35 | | 1 | 20 | 1 |
| | | 5 | 22 | 1 |
| | | 7 | 23 | 1 |
| BACN10JQ36 | | 1 | 18 | 1 |
| | | 7 | 20 | 1 |
| BACN10KH3 | | 1 | 92 | 1 |
| | | 1 | 98 | 29 |
| | | 1 | 102 | 6 |
| | | 1 | 153H | 22 |
| | | 1 | 184 | 4 |
| | | 1 | 312 | 18 |
| | | 1 | 345H | 24 |
| | | 1 | 506 | 15 |

57-43-37

 ILLUSTRATED PARTS LIST
 01.1 Page 1020
 Jul 01/03

015T0165
 015T1507
 114T3100
 DASH NUMBERS LIMITED

 **BOEING**
 COMPONENT
 MAINTENANCE MANUAL

| PART NUMBER | AIRLINE PART NO. | FIG. | ITEM | TTL REQ |
|-------------|---------------------|------|------|------------|
| BACN10KH3 | | 1 | 545R | 31 |
| | | 1 | 716 | 20 |
| | | 2 | 80 | 12 |
| | | 2 | 160 | 14 |
| | | 2 | 275 | 20 |
| | | 2 | 360 | 8 |
| | | 2 | 420 | 18 |
| | | 2 | 465 | 7 |
| | | 2 | 505 | 5 |
| | | 2 | 545 | 6 |
| | | 2 | 585A | 6 |
| | | 2 | 625 | 4 |
| | | 2 | 660 | 7 |
| | | 2 | 700 | 6 |
| | | 2 | 740 | 7 |
| | | 2 | 780 | 6 |
| | | 2 | 812 | 6 |
| | | 2 | 836 | 6 |
| | | 2 | 862 | 6 |
| | | 2 | 886 | 8 |
| | | 5 | 187 | 1 |
| | | 5 | 200 | 28 |
| | | 5 | 210 | 6 |
| | | 5 | 420 | 18 |
| | | 5 | 540 | 15 |
| | | 5 | 624 | 20 |
| | | 6 | 80 | 12 |
| | | 6 | 160 | 14 |
| | | 6 | 275 | 20 |
| | | 6 | 360 | 18 |
| | | 6 | 465 | 5 |
| | | 6 | 505 | 6 |
| | | 6 | 545 | 6 |
| | | 6 | 585 | 4 |
| | | 6 | 608 | 7 |
| | | 6 | 624 | 6 |
| | | 6 | 640 | 7 |
| | | 6 | 656 | 6 |
| | | 6 | 672 | 6 |
| | | 6 | 688 | 6 |
| | 6 | 704 | 5 | |
| | 6 | 720 | 8 | |
| | 7 | 116 | 1 | |
| | 7 | 125 | 29 | |
| | 7 | 131 | 6 | |

57-43-37

ILLUSTRATED PARTS LIST
 01.1 Page 1021
 Jul 01/03

| PART NUMBER | AIRLINE PART NO. | FIG. | ITEM | TTL REQ |
|-------------|---------------------|------|------|------------|
| BACN10KH3 | | 7 | 254 | 18 |
| | | 7 | 362 | 15 |
| | | 7 | 488 | 20 |
| | | 8 | 47 | 12 |
| | | 8 | 98 | 14 |
| | | 8 | 167 | 20 |
| | | 8 | 217 | 8 |
| | | 8 | 253 | 18 |
| | | 8 | 280 | 7 |
| | | 8 | 304 | 5 |
| | | 8 | 328 | 6 |
| | | 8 | 352 | 6 |
| | | 8 | 376 | 4 |
| | | 8 | 397 | 7 |
| | | 8 | 421 | 6 |
| | | 8 | 445 | 7 |
| | | 8 | 469 | 6 |
| | | 8 | 493 | 6 |
| | | 8 | 517 | 6 |
| | | 8 | 544 | 6 |
| | 8 | 568 | 8 | |
| BACN10MT3 | | 1 | 202 | 4 |
| | | 1 | 286 | 4 |
| | | 1 | 404 | 2 |
| | | 1 | 484 | 2 |
| | | 1 | 594 | 2 |
| | | 1 | 688 | 2 |
| | | 2 | 35 | 4 |
| | | 2 | 125 | 4 |
| | | 2 | 205 | 6 |
| | | 2 | 320 | 4 |
| | | 5 | 355 | 4 |
| | | 5 | 518 | 2 |
| | | 5 | 596 | 2 |
| | | 6 | 35 | 4 |
| | | 6 | 125 | 4 |
| | | 6 | 205 | 6 |
| | | 6 | 320 | 4 |
| | | 7 | 215 | 4 |
| | 7 | 329 | 2 | |
| | 7 | 446 | 2 | |
| | 8 | 23 | 4 | |
| | 8 | 74 | 4 | |

57-43-37

ILLUSTRATED PARTS LIST
 01.1 Page 1022
 Jul 01/03

015T0165
 015T1507
 114T3100
 DASH NUMBERS LIMITED

 **BOEING**
 COMPONENT
 MAINTENANCE MANUAL

| PART NUMBER | AIRLINE PART NO. | FIG. | ITEM | TTL REQ |
|-------------|---------------------|------|------|------------|
| BACN10MT3 | | 8 | 125 | 6 |
| | | 8 | 194 | 4 |
| BACN10YF32 | | 6 | 699 | 4 |
| | | 7 | 29A | 30 |
| | | 7 | 35A | 10 |
| | | 7 | 359A | 7 |
| | | 7 | 482A | 4 |
| | | 8 | 44A | 6 |
| BACN10YF33 | | 8 | 95A | 8 |
| BACN10YF34 | | 7 | 26A | 4 |
| BACN10YF35 | | 7 | 23A | 1 |
| BACR15BA3AD | | 1 | 14 | 76 |
| | | 1 | 24 | 8 |
| | | 1 | 28 | 20 |
| | | 1 | 90 | 260 |
| | | 1 | 96 | 58 |
| | | 1 | 100 | 12 |
| | | 1 | 122 | 94 |
| | | 1 | 133 | 20 |
| | | 1 | 153 | 44 |
| | | 1 | 178 | 40 |
| | | 1 | 308 | 40 |
| | | 1 | 345 | 48 |
| | | 1 | 362 | 54 |
| | | 1 | 366 | 4 |
| | | 1 | 382 | 44 |
| | | 1 | 502 | 44 |
| | | 1 | 523 | 90 |
| | | 1 | 545 | 6 |
| | | 1 | 545M | 62 |
| | | 1 | 574 | 62 |
| | | 1 | 710 | 60 |
| | | 2 | 70 | 36 |
| | | 2 | 150 | 44 |
| | | 2 | 260 | 60 |
| | | 2 | 350 | 32 |
| | | 2 | 410 | 52 |
| | | 2 | 450 | 20 |
| | | 2 | 490 | 16 |
| | | 2 | 530 | 18 |
| | | 2 | 570 | 18 |
| | | 2 | 610 | 20 |
| | | 2 | 645 | 20 |
| | | 2 | 685 | 22 |
| | | 2 | 725A | 22 |

57-43-37

ILLUSTRATED PARTS LIST
 01.1 Page 1023
 Jul 01/03

| PART NUMBER | AIRLINE PART NO. | FIG. | ITEM | TTL REQ |
|-------------|---------------------|------|------|------------|
| BACR15BA3AD | | 2 | 765 | 28 |
| | | 2 | 803 | 30 |
| | | 2 | 827 | 34 |
| | | 2 | 850 | 26 |
| | | 2 | 877 | 38 |
| | | 3 | 195 | 15 |
| | | 3 | 320 | 16 |
| | | 3 | 395 | 2 |
| | | 3 | 410 | 10 |
| | | 3 | 480 | 34 |
| | | 3 | 545 | 4 |
| | | 5 | 18 | 74 |
| | | 5 | 35 | 20 |
| | | 5 | 185 | 252 |
| | | 5 | 195 | 56 |
| | | 5 | 205 | 12 |
| | | 5 | 260 | 94 |
| | | 5 | 290 | 20 |
| | | 5 | 410 | 40 |
| | | 5 | 500 | 54 |
| | | 5 | 504 | 4 |
| | | 5 | 536 | 44 |
| | | 5 | 556 | 90 |
| | | 5 | 574 | 6 |
| | | 5 | 618 | 60 |
| | | 6 | 70 | 36 |
| | | 6 | 150 | 44 |
| | | 6 | 260 | 60 |
| | | 6 | 350 | 32 |
| | | 6 | 410 | 52 |
| | | 6 | 450 | 16 |
| | | 6 | 490 | 18 |
| | | 6 | 530 | 18 |
| | | 6 | 570 | 20 |
| | | 6 | 602 | 20 |
| | | 6 | 618 | 22 |
| | | 6 | 634 | 22 |
| | | 6 | 650 | 28 |
| | | 6 | 666 | 30 |
| | | 6 | 682 | 34 |
| | | 6 | 698 | 26 |
| | 6 | 714 | 38 | |
| | 7 | 14 | 76 | |
| | 7 | 32 | 20 | |
| | 7 | 113 | 260 | |

57-43-37

ILLUSTRATED PARTS LIST
 01.1 Page 1024
 Jul 01/03

015T0165
 015T1507
 114T3100
 DASH NUMBERS LIMITED

 **BOEING**
 COMPONENT
 MAINTENANCE MANUAL

| PART NUMBER | AIRLINE PART NO. | FIG. | ITEM | TTL REQ | |
|-------------|---------------------|------|------|------------|----|
| BACR15BA3AD | | 7 | 122 | 58 | |
| | | 7 | 128 | 12 | |
| | | 7 | 158 | 94 | |
| | | 7 | 248 | 40 | |
| | | 7 | 302 | 64 | |
| | | 7 | 308 | 4 | |
| | | 7 | 356 | 44 | |
| | | 7 | 386 | 92 | |
| | | 7 | 413 | 4 | |
| | | 7 | 479 | 60 | |
| | | 8 | 41 | 36 | |
| | | 8 | 92 | 44 | |
| | | 8 | 158 | 60 | |
| | | 8 | 211 | 32 | |
| | | 8 | 247 | 52 | |
| | | 8 | 271 | 20 | |
| | | 8 | 295 | 16 | |
| | | 8 | 319 | 18 | |
| | | 8 | 343 | 18 | |
| | | 8 | 367 | 20 | |
| | | 8 | 388 | 20 | |
| | | 8 | 412 | 22 | |
| | | 8 | 436 | 22 | |
| | | 8 | 460 | 28 | |
| | | 8 | 484 | 30 | |
| | | 8 | 508 | 34 | |
| | | 8 | 532 | 26 | |
| | | 8 | 559 | 38 | |
| | BACR15BA4AD | | 3 | 30 | 14 |
| | BACR15BA5A | | 1 | 730 | 6 |
| | | | 5 | 640 | 6 |
| | | | 7 | 505 | 6 |
| | BACR15BA5AD | | 1 | 785 | 6 |
| | | 2 | 964 | 2 | |
| | | 5 | 680 | 6 | |
| | | 7 | 545 | 6 | |
| BACR15BB3AD | | 2 | 895 | 4 | |
| | | 3 | 240 | 12 | |
| | | 3 | 310 | 42 | |
| | | 3 | 430 | 38 | |
| | | 3 | 660 | 6 | |
| | | 6 | 726 | 4 | |
| | | 8 | 577 | 4 | |

57-43-37

ILLUSTRATED PARTS LIST
 01.1 Page 1025
 Jul 01/03

| PART NUMBER | AIRLINE PART NO. | FIG. | ITEM | TTL REQ |
|-------------|---------------------|------|------|------------|
| BACR15BB4AD | | 3 | 325 | 16 |
| | | 3 | 415 | 10 |
| BACR15BB4AD | | 3 | 540 | 2 |
| | | 3 | 670 | 12 |
| BACR15CE5AD | | 1 | 740 | 10 |
| | | 5 | 650 | 10 |
| | | 7 | 515 | 10 |
| BACR15CE5KE | | 1 | 39 | 1 |
| | | 1 | 40 | 65 |
| | | 1 | 210 | 6 |
| | | 1 | 602 | 14 |
| | | 1 | 610 | 12 |
| | | 1 | 725 | 112 |
| | | 2 | 55 | 22 |
| | | 2 | 140 | 18 |
| | | 2 | 220 | 18 |
| | | 2 | 335 | 20 |
| | | 2 | 395 | 32 |
| | | 5 | 55 | 1 |
| | | 5 | 60 | 62 |
| | | 5 | 635 | 112 |
| | | 6 | 55 | 22 |
| | | 6 | 140 | 18 |
| | | 6 | 220 | 18 |
| | | 6 | 335 | 20 |
| 6 | 395 | 32 | | |
| 7 | 44 | 1 | | |
| 7 | 47 | 65 | | |
| 7 | 500 | 112 | | |
| 8 | 32 | 22 | | |
| 8 | 83 | 18 | | |
| 8 | 134 | 24 | | |
| 8 | 203 | 20 | | |
| 8 | 238 | 34 | | |

57-43-37

ILLUSTRATED PARTS LIST
 01.1 Page 1026
 Jul 01/03

015T0165
 015T1507
 114T3100
 DASH NUMBERS LIMITED

 **BOEING**
 COMPONENT
 MAINTENANCE MANUAL

| PART NUMBER | AIRLINE PART NO. | FIG. | ITEM | TTL REQ | |
|---------------|---------------------|------|------|------------|---|
| BACR15CE6KE | | 1 | 208 | 22 | |
| | | 1 | 212 | 2 | |
| | | 1 | 600 | 2 | |
| | | 1 | 608 | 10 | |
| | | 1 | 612 | 12 | |
| | | 2 | 60 | 2 | |
| | | 2 | 145 | 8 | |
| | | 2 | 225 | 10 | |
| | | 2 | 340 | 4 | |
| | | 2 | 400 | 2 | |
| | | 6 | 60 | 2 | |
| | | 6 | 145 | 8 | |
| | | 6 | 225 | 10 | |
| | BACR15CE6KE | | 6 | 340 | 4 |
| | | | 6 | 400 | 2 |
| | | 8 | 35 | 2 | |
| | | 8 | 86 | 8 | |
| | | 8 | 137 | 10 | |
| | | 8 | 206 | 4 | |
| | | 8 | 241 | 2 | |
| | | 8 | 241 | 2 | |
| BACS40R09B09F | | 1 | 80 | 13 | |
| | | 5 | 165 | 12 | |
| | | 7 | 104 | 13 | |
| BACS40R09B18F | | 1 | 82 | 5 | |
| | | 1 | 88 | 2 | |
| | | 5 | 170 | 5 | |
| | | 5 | 180 | 2 | |
| | | 7 | 107 | 7 | |
| BACS40R09B20F | | 1 | 86 | 1 | |
| | | 5 | 175 | 1 | |
| | | 7 | 110 | 1 | |
| BACS40R09B36F | | 1 | 84 | 3 | |
| BACS40U3L5 | | 7 | 472 | 1 | |

57-43-37

ILLUSTRATED PARTS LIST
 01.1 Page 1027
 Jul 01/03

| PART NUMBER | AIRLINE PART NO. | FIG. | ITEM | TTL REQ |
|-------------|---------------------|------|------|------------|
| BACW10AU3 | | 1 | 200 | 4 |
| | | 1 | 284 | 4 |
| | | 1 | 402 | 2 |
| | | 1 | 482 | 2 |
| | | 1 | 592 | 2 |
| | | 1 | 686 | 2 |
| | | 2 | 30 | 4 |
| | | 2 | 120A | 4 |
| | | 2 | 200 | 6 |
| | | 2 | 315 | 4 |
| | | 5 | 350 | 4 |
| | | 5 | 516 | 2 |
| | | 5 | 594 | 2 |
| | | 6 | 30 | 4 |
| | | 6 | 120 | 4 |
| | | 6 | 200 | 6 |
| | | 6 | 315 | 4 |
| | | 7 | 212 | 4 |
| | | 7 | 326 | 2 |
| | | 7 | 443 | 2 |
| | | 8 | 20 | 4 |
| | | 8 | 71 | 4 |
| | | 8 | 122 | 6 |
| BACW10AU3 | | 8 | 191 | 4 |
| BACW10BP7CD | | 1 | 226 | 1 |
| | | 1 | 426 | 1 |
| | | 1 | 630 | 1 |
| BACW10BP7DP | | 1 | 230 | 1 |
| | | 1 | 430 | 1 |
| | | 1 | 634 | 1 |
| BACW10BP8CD | | 1 | 216 | 1 |
| | | 1 | 412 | 1 |
| | | 1 | 616 | 1 |
| | | 2 | 906 | 1 |
| | | 2 | 926 | 1 |

57-43-37

 ILLUSTRATED PARTS LIST
 01.1 Page 1028
 Jul 01/03

015T0165
 015T1507
 114T3100
 DASH NUMBERS LIMITED

 **BOEING**
 COMPONENT
 MAINTENANCE MANUAL

| PART NUMBER | AIRLINE PART NO. | FIG. | ITEM | TTL REQ |
|--------------|---------------------|------|------|------------|
| BACW10BP8DP | | 1 | 220 | 1 |
| | | 1 | 416 | 1 |
| | | 1 | 620 | 1 |
| | | 2 | 908 | 1 |
| | | 2 | 928 | 1 |
| | | 2 | 954 | 1 |
| | | 1 | 750 | 17 |
| BACW10DM5P | | 1 | 755 | 9 |
| | | 1 | 790 | 103 |
| | | 5 | 655 | 17 |
| | | 5 | 685 | 103 |
| | | 7 | 520 | 17 |
| | | 7 | 550 | 103 |
| | | 2 | 958 | 1 |
| BACW10P358CA | | 1 | 228 | 2 |
| BACW10P364LA | | 1 | 428 | 2 |
| | | 1 | 632 | 2 |
| BACW10P365LA | | 1 | 218 | 2 |
| | | 1 | 414 | 2 |
| | | 1 | 618 | 2 |
| BACW10P83L | | 3 | 20 | 6 |
| BH00302-7 | | 1 | 232 | 1 |
| | | 1 | 432 | 1 |
| | | 1 | 636 | 1 |
| BH00302-8 | | 1 | 222 | 1 |
| | | 1 | 418 | 1 |
| | | 1 | 622 | 1 |
| BH003027 | | 1 | 232 | 1 |
| | | 1 | 432 | 1 |
| | | 1 | 636 | 1 |
| BH003028 | | 1 | 222 | 1 |
| | | 1 | 418 | 1 |
| | | 1 | 622 | 1 |
| BMNN10HR7 | | 1 | 232 | 1 |
| | | 1 | 432 | 1 |
| | | 1 | 636 | 1 |
| BMNN10HR8 | | 1 | 222 | 1 |
| | | 1 | 418 | 1 |
| | | 1 | 622 | 1 |

57-43-37

ILLUSTRATED PARTS LIST
 01.1 Page 1029
 Jul 01/03

| PART NUMBER | AIRLINE PART NO. | FIG. | ITEM | TTL REQ |
|-------------|---------------------|------|------|------------|
| BMN10HR8 | | 1 | 222 | 1 |
| | | 1 | 418 | 1 |
| | | 1 | 622 | 1 |
| BRFM20A3 | | 1 | 16 | 2 |
| | | 1 | 94 | 129 |
| | | 1 | 124 | 47 |
| | | 1 | 133G | 10 |
| | | 1 | 182 | 1 |
| | | 1 | 310 | 2 |
| | | 1 | 364 | 32 |
| | | 1 | 368 | 2 |
| | | 1 | 386 | 2 |
| | | 1 | 523G | 45 |
| | | 1 | 545G | 6 |
| | | 1 | 578 | 3 |
| | | 1 | 714 | 6 |
| | | 2 | 270 | 4 |
| | | 2 | 355 | 8 |
| | | 2 | 415 | 8 |
| | | 2 | 460 | 1 |
| | | 2 | 500 | 1 |
| | | 2 | 540 | 1 |
| | | 2 | 580 | 1 |
| | 2 | 620 | 1 | |
| | 2 | 655 | 1 | |
| | 2 | 695 | 1 | |
| | 2 | 735 | 1 | |
| | 2 | 775 | 1 | |
| | 2 | 809 | 1 | |
| | 2 | 833 | 1 | |

57-43-37

ILLUSTRATED PARTS LIST
 01.1 Page 1030
 Jul 01/03

015T0165
 015T1507
 114T3100
 DASH NUMBERS LIMITED

 **BOEING**
 COMPONENT
 MAINTENANCE MANUAL

| PART NUMBER | AIRLINE PART NO. | FIG. | ITEM | TTL REQ |
|-------------|---------------------|------|------|------------|
| BRFM20A3 | | 2 | 856 | 1 |
| | | 2 | 883 | 1 |
| | | 3 | 245 | 6 |
| | | 3 | 315 | 21 |
| | | 3 | 435 | 19 |
| | | 3 | 485 | 3 |
| | | 3 | 550 | 2 |
| | | 3 | 665 | 3 |
| | | 5 | 20 | 2 |
| | | 5 | 190 | 125 |
| | | 5 | 265 | 47 |
| | | 5 | 295 | 10 |
| | | 5 | 415 | 2 |
| | | 5 | 502 | 32 |
| | | 5 | 506 | 2 |
| | | 5 | 558 | 45 |
| | | 5 | 576 | 6 |
| | | 5 | 622 | 6 |
| | | 6 | 270 | 4 |
| | | 6 | 355 | 8 |
| | | 6 | 415 | 8 |
| | | 6 | 460 | 1 |
| | | 6 | 500 | 1 |
| | | 6 | 540 | 1 |
| | | 6 | 580 | 1 |
| | | 6 | 606 | 1 |
| | | 6 | 622 | 1 |
| | | 6 | 638 | 1 |
| | | 6 | 654 | 1 |
| | | 6 | 670 | 1 |
| | | 6 | 686 | 1 |
| | | 6 | 700 | 1 |
| | | 6 | 718 | 1 |
| | | 7 | 17 | 2 |
| | | 7 | 119 | 129 |
| | | 7 | 161 | 47 |
| | | 7 | 251 | 2 |
| | | 7 | 305 | 32 |
| | | 7 | 311 | 2 |
| | | 7 | 389 | 46 |
| | | 7 | 416 | 2 |
| | 7 | 485 | 6 | |
| | 8 | 164 | 4 | |
| | 8 | 214 | 8 | |
| | 8 | 250 | 8 | |

57-43-37

ILLUSTRATED PARTS LIST
 01.1 Page 1031
 Jul 01/03

| PART NUMBER | AIRLINE PART NO. | FIG. | ITEM | TTL REQ |
|-------------|---------------------|------|------|------------|
| BRFM20A3 | | 8 | 277 | 1 |
| | | 8 | 301 | 1 |
| | | 8 | 325 | 1 |
| | | 8 | 349 | 1 |
| | | 8 | 373 | 1 |
| | | 8 | 394 | 1 |
| | | 8 | 418 | 1 |
| | | 8 | 442 | 1 |
| | | 8 | 466 | 1 |
| | | 8 | 490 | 1 |
| | | 8 | 514 | 1 |
| | | 8 | 538 | 1 |
| | | 8 | 565 | 1 |
| BRFM22A4-3 | | 1 | 21 | 4 |
| | | 5 | 25 | 4 |
| | | 7 | 26 | 4 |
| BRFM22A5-3 | | 1 | 20 | 1 |
| | | 5 | 22 | 1 |
| | | 7 | 23 | 1 |
| B30NW5K4 | | 1 | 258 | 2 |
| | | 1 | 298 | 2 |
| | | 1 | 454 | 2 |
| | | 1 | 494 | 1 |
| | | 1 | 658 | 2 |
| | | 1 | 702 | 2 |
| | | 5 | 385 | 2 |
| | | 5 | 528 | 1 |
| | | 5 | 610 | 2 |
| | | 7 | 233 | 2 |
| | | 7 | 344 | 1 |
| B30NW5K5 | | 7 | 466 | 1 |
| | | 7 | 467 | 1 |
| | | 1 | 256 | 2 |
| | | 1 | 296 | 2 |
| | | 1 | 452 | 2 |
| | | 1 | 492 | 3 |
| | | 1 | 656 | 2 |
| | | 1 | 700 | 2 |
| | | 5 | 380 | 2 |
| | | 5 | 526 | 3 |
| | | 5 | 608 | 2 |
| | 7 | 230 | 2 | |
| | 7 | 341 | 3 | |
| | 7 | 464 | 1 | |
| | 7 | 465 | 1 | |

57-43-37

 ILLUSTRATED PARTS LIST
 01.1 Page 1032
 Jul 01/03

015T0165
 015T1507
 114T3100
 DASH NUMBERS LIMITED

 **BOEING**
 COMPONENT
 MAINTENANCE MANUAL

| PART NUMBER | AIRLINE PART NO. | FIG. | ITEM | TTL REQ |
|-------------|---------------------|------|------|------------|
| CR59067 | | 1 | 232 | 1 |
| | | 1 | 432 | 1 |
| | | 1 | 636 | 1 |
| CR59068 | | 1 | 222 | 1 |
| | | 1 | 418 | 1 |
| | | 1 | 622 | 1 |
| F29779-3 | | 1 | 153H | 22 |
| | | 1 | 345H | 24 |
| | | 1 | 545R | 31 |
| | | 2 | 585A | 6 |
| | | 5 | 187 | 1 |
| | | 5 | 200 | 28 |
| | | 5 | 210 | 6 |
| | | 5 | 420 | 18 |
| | | 5 | 540 | 15 |
| | | 5 | 624 | 20 |
| | | 6 | 80 | 12 |
| | | 6 | 160 | 14 |
| | | 6 | 275 | 20 |
| | | 6 | 360 | 18 |
| | | 6 | 465 | 5 |
| | | 6 | 505 | 6 |
| | | 6 | 545 | 6 |
| | | 6 | 585 | 4 |
| | | 6 | 608 | 7 |
| | | 6 | 624 | 6 |
| | | 6 | 640 | 7 |
| 6 | 656 | 6 | | |
| 6 | 672 | 6 | | |
| 6 | 688 | 6 | | |
| 6 | 704 | 5 | | |
| 6 | 720 | 8 | | |
| 7 | 116 | 1 | | |
| 7 | 125 | 29 | | |
| 7 | 131 | 6 | | |
| 7 | 254 | 18 | | |
| 7 | 362 | 15 | | |
| 7 | 488 | 20 | | |
| 8 | 47 | 12 | | |
| 8 | 98 | 14 | | |
| 8 | 167 | 20 | | |
| 8 | 217 | 8 | | |
| 8 | 253 | 18 | | |
| 8 | 280 | 7 | | |
| 8 | 304 | 5 | | |

57-43-37

ILLUSTRATED PARTS LIST
 01.1 Page 1033
 Jul 01/03

| PART NUMBER | AIRLINE PART NO. | FIG. | ITEM | TTL REQ | |
|-------------|---------------------|------|------|------------|---|
| F29779-3 | | 8 | 328 | 6 | |
| | | 8 | 352 | 6 | |
| | | 8 | 376 | 4 | |
| | | 8 | 397 | 7 | |
| | | 8 | 421 | 6 | |
| | | 8 | 445 | 7 | |
| | | 8 | 469 | 6 | |
| | | 8 | 493 | 6 | |
| | | 8 | 517 | 6 | |
| | | 8 | 544 | 6 | |
| | | 8 | 568 | 8 | |
| | HL11VAZ5-4 | | 1 | 258 | 2 |
| | | | 1 | 298 | 2 |
| | | 1 | 454 | 2 | |
| | | 1 | 494 | 1 | |
| | | 1 | 658 | 2 | |
| | | 1 | 702 | 2 | |
| | | 5 | 385 | 2 | |
| | | 5 | 528 | 1 | |
| | | 5 | 610 | 2 | |
| | | 7 | 233 | 2 | |
| | | 7 | 344 | 1 | |
| | | 7 | 466 | 1 | |
| | | 7 | 467 | 1 | |
| HL11VAZ5-5 | | 1 | 256 | 2 | |
| | | 1 | 296 | 2 | |
| | | 1 | 452 | 2 | |
| | | 1 | 492 | 3 | |
| | | 1 | 656 | 2 | |
| | | 1 | 700 | 2 | |
| | | 5 | 380 | 2 | |
| | | 5 | 526 | 3 | |
| | | 5 | 608 | 2 | |
| | | 7 | 230 | 2 | |
| | | 7 | 341 | 3 | |
| | | 7 | 464 | 1 | |
| | | 7 | 465 | 1 | |

57-43-37

 ILLUSTRATED PARTS LIST
 01.1 Page 1034
 Jul 01/03

| PART NUMBER | AIRLINE PART NO. | FIG. | ITEM | TTL REQ | | |
|-------------|---------------------|-------------|------|------------|-----|-----|
| HL445PB6-3X | | 1 | 487D | 6 | | |
| | | 1 | 691D | 8 | | |
| | | HL445PB6-4X | 1 | 487H | 6 | |
| | | | 1 | 691H | 10 | |
| | | HL445PB6-5X | 1 | 487 | 8 | |
| | | | 1 | 691 | 20 | |
| | | HL445PB6-6X | 1 | 487M | 8 | |
| | | | 1 | 691M | 4 | |
| | | HL445PB6-7X | 1 | 487R | 6 | |
| | | HL445PB6-8X | 1 | 487V | 2 | |
| | | HL70-5 | | 1 | 44 | 65 |
| | | | | 1 | 606 | 10 |
| | | | | 1 | 760 | 90 |
| | | | | 1 | 765 | 10 |
| | | | | 1 | 795 | 124 |
| 5 | 70 | | | 62 | | |
| 5 | 660 | | | 90 | | |
| 5 | 690 | | | 124 | | |
| 7 | 53 | | | 65 | | |
| 7 | 525 | | | 90 | | |
| 7 | 555 | | | 124 | | |
| HL79-5 | | | | 1 | 44 | 65 |
| | | | | 1 | 606 | 10 |
| | | | | 1 | 760 | 90 |
| | | | | 1 | 765 | 10 |
| | | 1 | 795 | 124 | | |
| | | 5 | 70 | 62 | | |
| | | 5 | 660 | 90 | | |
| | | 5 | 690 | 124 | | |
| | | 7 | 53 | 65 | | |
| | | 7 | 525 | 90 | | |
| | | 7 | 555 | 124 | | |

57-43-37

| PART NUMBER | AIRLINE PART NO. | FIG. | ITEM | TTL REQ |
|-------------|---------------------|------|------|------------|
| HL79-6 | | 1 | 48 | 99 |
| | | 1 | 74 | 6 |
| | | 1 | 172 | 10 |
| | | 1 | 176 | 10 |
| | | 1 | 206 | 22 |
| | | 1 | 376 | 8 |
| | | 1 | 380 | 16 |
| | | 1 | 489 | 36 |
| | | 1 | 568 | 14 |
| | | 1 | 572 | 18 |
| | | 1 | 598 | 2 |
| | | 1 | 693 | 42 |
| | | 5 | 80 | 96 |
| | | 5 | 150 | 6 |
| | | 7 | 59 | 99 |
| | | 7 | 95 | 6 |
| | HL82-5APBW | | 1 | 294 |
| | | 1 | 696 | 14 |
| | | 5 | 375 | 6 |
| | | 5 | 604 | 14 |
| | | 7 | 227 | 6 |
| | | 7 | 458 | 14 |
| HL82-6APBW | | 1 | 50 | 28 |
| | | 1 | 174 | 10 |
| | | 1 | 198 | 4 |
| | | 1 | 209G | 2 |
| | | 1 | 282 | 4 |
| | | 1 | 290 | 22 |
| | | 1 | 378 | 8 |
| | | 1 | 400 | 2 |
| | | 1 | 408A | 34 |
| | | 1 | 480 | 2 |
| | | 1 | 488 | 34 |
| | | 1 | 570 | 14 |
| | | 1 | 590 | 2 |
| | | 1 | 684 | 2 |
| | 1 | 692 | 24 | |
| | 2 | 25 | 4 | |
| | 2 | 50 | 2 | |

57-43-37

 ILLUSTRATED PARTS LIST
 01.1 Page 1036
 Jul 01/03

015T0165
 015T1507
 114T3100
 DASH NUMBERS LIMITED

 **BOEING**
 COMPONENT
 MAINTENANCE MANUAL

| PART NUMBER | AIRLINE PART NO. | FIG. | ITEM | TTL REQ |
|-------------|---------------------|------|------|------------|
| HL82-6APBW | | 2 | 115 | 4 |
| | | 2 | 135 | 2 |
| | | 2 | 195 | 6 |
| | | 2 | 215 | 2 |
| | | 2 | 310 | 4 |
| | | 2 | 330 | 2 |
| | | 2 | 390 | 2 |
| | | 5 | 85 | 27 |
| | | 5 | 345 | 4 |
| | | 5 | 365 | 22 |
| | | 5 | 514 | 2 |
| | | 5 | 522 | 34 |
| | | 5 | 592 | 2 |
| | | 5 | 600 | 24 |
| | | 6 | 25 | 4 |
| | | 6 | 50 | 2 |
| | | 6 | 115 | 4 |
| | | 6 | 135 | 2 |
| | | 6 | 195 | 6 |
| | | 6 | 215 | 2 |
| | | 6 | 310 | 4 |
| | | 6 | 330 | 2 |
| | | 6 | 390 | 2 |
| | | 7 | 62 | 28 |
| | | 7 | 209 | 4 |
| | | 7 | 221 | 22 |
| | | 7 | 323 | 2 |
| | | 7 | 335 | 34 |
| | | 7 | 440 | 2 |
| | | 7 | 452 | 24 |
| | | 8 | 17 | 4 |
| | | 8 | 29 | 2 |
| | | 8 | 68 | 4 |
| | | 8 | 80 | 2 |
| | | 8 | 119 | 6 |
| | | 8 | 131 | 2 |
| | | 8 | 188 | 4 |
| | | 8 | 200 | 2 |
| | | 8 | 235 | 2 |
| | HTFB07V | | 2 | 345 |
| | | 2 | 405 | 1 |
| | | 6 | 345 | 1 |
| | | 6 | 405 | 1 |
| | | 8 | 209 | 1 |
| | | 8 | 244 | 1 |

57-43-37

ILLUSTRATED PARTS LIST
 01.1 Page 1037
 Jul 01/03

| PART NUMBER | AIRLINE PART NO. | FIG. | ITEM | TTL REQ | |
|-------------|---------------------|------|------|------------|---|
| HTFB08GC | | 2 | 65 | 1 | |
| | | 2 | 147 | 1 | |
| | | 6 | 65 | 1 | |
| | | 6 | 147 | 1 | |
| | | 8 | 38 | 1 | |
| | | 8 | 89 | 1 | |
| | H19700P3 | | 1 | 202 | 4 |
| | | | 1 | 286 | 4 |
| | | 1 | 404 | 2 | |
| | | 1 | 484 | 2 | |
| | | 1 | 594 | 2 | |
| | | 1 | 688 | 2 | |
| | | 2 | 35 | 4 | |
| | | 2 | 125 | 4 | |
| | | 2 | 205 | 6 | |
| | | 2 | 320 | 4 | |
| | | 2 | 320 | 4 | |
| H19700P3 | | 5 | 355 | 4 | |
| | | 5 | 518 | 2 | |
| | | 5 | 596 | 2 | |
| | | 6 | 35 | 4 | |
| | | 6 | 125 | 4 | |
| | | 6 | 205 | 6 | |
| | | 6 | 320 | 4 | |
| | | 7 | 215 | 4 | |
| | | 7 | 329 | 2 | |
| | | 7 | 446 | 2 | |
| | | 8 | 23 | 4 | |
| | | 8 | 74 | 4 | |
| | | 8 | 125 | 6 | |
| | | 8 | 194 | 4 | |
| H96-7 | | 1 | 232 | 1 | |
| | | 1 | 432 | 1 | |
| H96-8 | | 1 | 636 | 1 | |
| | | 1 | 222 | 1 | |
| | | 1 | 418 | 1 | |
| | | 1 | 622 | 1 | |

57-43-37

ILLUSTRATED PARTS LIST
 01.1 Page 1038
 Jul 01/03

015T0165
 015T1507
 114T3100
 DASH NUMBERS LIMITED

 **BOEING**
 COMPONENT
 MAINTENANCE MANUAL

| PART NUMBER | AIRLINE PART NO. | FIG. | ITEM | TTL REQ |
|-----------------|---------------------|------|------|------------|
| H967 | | 1 | 232 | 1 |
| | | 1 | 432 | 1 |
| | | 1 | 636 | 1 |
| H968 | | 1 | 222 | 1 |
| | | 1 | 418 | 1 |
| | | 1 | 622 | 1 |
| KNDB07-62 | | 2 | 345 | 1 |
| | | 2 | 405 | 1 |
| | | 6 | 345 | 1 |
| | | 6 | 405 | 1 |
| | | 8 | 209 | 1 |
| | | 8 | 244 | 1 |
| KNDB08-70 | | 2 | 65 | 1 |
| | | 2 | 147 | 1 |
| | | 6 | 65 | 1 |
| | | 6 | 147 | 1 |
| | | 8 | 38 | 1 |
| | | 8 | 89 | 1 |
| KSC145700BZ07GC | | 2 | 345 | 1 |
| | | 2 | 405 | 1 |
| | | 6 | 345 | 1 |
| | | 6 | 405 | 1 |
| | | 8 | 209 | 1 |
| | | 8 | 244 | 1 |
| KSC145700BZ08GC | | 2 | 65 | 1 |
| KSC145700BZ08GC | | 2 | 147 | 1 |
| | | 6 | 65 | 1 |
| | | 6 | 147 | 1 |
| | | 8 | 38 | 1 |
| | | 8 | 89 | 1 |
| | | 8 | 89 | 1 |

57-43-37

ILLUSTRATED PARTS LIST
 01.1 Page 1039
 Jul 01/03

| PART NUMBER | AIRLINE PART NO. | FIG. | ITEM | TTL REQ | |
|-------------|---------------------|------|------|------------|---|
| K19701P3 | | 1 | 200 | 4 | |
| | | 1 | 284 | 4 | |
| | | 1 | 402 | 2 | |
| | | 1 | 482 | 2 | |
| | | 1 | 592 | 2 | |
| | | 1 | 686 | 2 | |
| | | 2 | 30 | 4 | |
| | | 2 | 120A | 4 | |
| | | 2 | 200 | 6 | |
| | | 2 | 315 | 4 | |
| | | 5 | 350 | 4 | |
| | | 5 | 516 | 2 | |
| | | 5 | 594 | 2 | |
| | | 6 | 30 | 4 | |
| | | 6 | 120 | 4 | |
| | | 6 | 200 | 6 | |
| | | 6 | 315 | 4 | |
| | | 7 | 212 | 4 | |
| | | 7 | 326 | 2 | |
| | | 7 | 443 | 2 | |
| | | 8 | 20 | 4 | |
| | | 8 | 71 | 4 | |
| | | 8 | 122 | 6 | |
| | | 8 | 191 | 4 | |
| | L803-5K4 | | 1 | 258 | 2 |
| | | | 1 | 298 | 2 |
| | | | 1 | 454 | 2 |
| | | | 1 | 494 | 1 |
| | | 1 | 658 | 2 | |
| | | 1 | 702 | 2 | |
| | | 5 | 385 | 2 | |
| | | 5 | 528 | 1 | |
| | | 5 | 610 | 2 | |
| | | 7 | 233 | 2 | |
| | 7 | 344 | 1 | | |
| | 7 | 466 | 1 | | |

57-43-37

ILLUSTRATED PARTS LIST
 01.1 Page 1040
 Jul 01/03

015T0165
 015T1507
 114T3100
 DASH NUMBERS LIMITED

 **BOEING**
 COMPONENT
 MAINTENANCE MANUAL

| PART NUMBER | AIRLINE PART NO. | FIG. | ITEM | TTL REQ |
|-------------|---------------------|------|------|------------|
| L803-5K4 | | 7 | 467 | 1 |
| L803-5K5 | | 1 | 256 | 2 |
| | | 1 | 296 | 2 |
| | | 1 | 452 | 2 |
| | | 1 | 492 | 3 |
| | | 1 | 656 | 2 |
| | | 1 | 700 | 2 |
| | | 5 | 380 | 2 |
| | | 5 | 526 | 3 |
| | | 5 | 608 | 2 |
| | | 7 | 230 | 2 |
| | | 7 | 341 | 3 |
| | | 7 | 464 | 1 |
| | | 7 | 465 | 1 |

57-43-37

ILLUSTRATED PARTS LIST
 01.1 Page 1041
 Jul 01/03

| PART NUMBER | AIRLINE PART NO. | FIG. | ITEM | TTL REQ |
|-------------|---------------------|------|------|------------|
| MF1000-3BAC | | 1 | 16 | 2 |
| | | 1 | 94 | 129 |
| | | 1 | 124 | 47 |
| | | 1 | 133G | 10 |
| | | 1 | 182 | 1 |
| | | 1 | 310 | 2 |
| | | 1 | 364 | 32 |
| | | 1 | 368 | 2 |
| | | 1 | 386 | 2 |
| | | 1 | 523G | 45 |
| | | 1 | 545G | 6 |
| | | 1 | 578 | 3 |
| | | 1 | 714 | 6 |
| | | 2 | 270 | 4 |
| | | 2 | 355 | 8 |
| | | 2 | 415 | 8 |
| | | 2 | 460 | 1 |
| | | 2 | 500 | 1 |
| | | 2 | 540 | 1 |
| | | 2 | 580 | 1 |
| | | 2 | 620 | 1 |
| | | 2 | 655 | 1 |
| | | 2 | 695 | 1 |
| | | 2 | 735 | 1 |
| | | 2 | 775 | 1 |
| | | 2 | 809 | 1 |
| | | 2 | 833 | 1 |
| | | 2 | 856 | 1 |
| | | 2 | 883 | 1 |
| | | 3 | 245 | 6 |
| | | 3 | 315 | 21 |
| | | 3 | 435 | 19 |
| | | 3 | 485 | 3 |
| | 3 | 550 | 2 | |
| | 3 | 665 | 3 | |
| | 5 | 20 | 2 | |
| | 5 | 190 | 125 | |
| | 5 | 265 | 47 | |

57-43-37

ILLUSTRATED PARTS LIST
 01.1 Page 1042
 Jul 01/03

015T0165
 015T1507
 114T3100
 DASH NUMBERS LIMITED

 **BOEING**
 COMPONENT
 MAINTENANCE MANUAL

| PART NUMBER | AIRLINE PART NO. | FIG. | ITEM | TTL REQ |
|-------------|---------------------|------|------|------------|
| MF1000-3BAC | | 5 | 295 | 10 |
| | | 5 | 415 | 2 |
| | | 5 | 502 | 32 |
| | | 5 | 506 | 2 |
| | | 5 | 558 | 45 |
| | | 5 | 576 | 6 |
| | | 5 | 622 | 6 |
| | | 6 | 270 | 4 |
| | | 6 | 355 | 8 |
| | | 6 | 415 | 8 |
| | | 6 | 460 | 1 |
| | | 6 | 500 | 1 |
| | | 6 | 540 | 1 |
| | | 6 | 580 | 1 |
| | | 6 | 606 | 1 |
| | | 6 | 622 | 1 |
| | | 6 | 638 | 1 |
| | | 6 | 654 | 1 |
| | | 6 | 670 | 1 |
| | | 6 | 686 | 1 |
| | | 6 | 700 | 1 |
| | | 6 | 718 | 1 |
| | | 7 | 17 | 2 |
| | | 7 | 119 | 129 |
| | | 7 | 161 | 47 |
| | | 7 | 251 | 2 |
| | | 7 | 305 | 32 |
| | | 7 | 311 | 2 |
| | | 7 | 389 | 46 |
| | | 7 | 416 | 2 |
| | | 7 | 485 | 6 |
| | | 8 | 164 | 4 |
| | | 8 | 214 | 8 |
| | | 8 | 250 | 8 |
| | | 8 | 277 | 1 |
| | | 8 | 301 | 1 |
| | | 8 | 325 | 1 |
| | | 8 | 349 | 1 |
| | | 8 | 373 | 1 |
| | | 8 | 394 | 1 |
| | 8 | 418 | 1 | |
| | 8 | 442 | 1 | |
| | 8 | 466 | 1 | |
| | 8 | 490 | 1 | |
| | 8 | 514 | 1 | |

57-43-37

ILLUSTRATED PARTS LIST
 01.1 Page 1043
 Jul 01/03

| PART NUMBER | AIRLINE PART NO. | FIG. | ITEM | TTL REQ |
|----------------|---------------------|------|------|------------|
| MF1000-3BAC | | 8 | 538 | 1 |
| | | 8 | 565 | 1 |
| MF1000-4BAC | | 2 | 859 | 3 |
| | | 6 | 702 | 3 |
| | | 8 | 541 | 3 |
| MF19058-3-2BAC | | 6 | 699 | 4 |
| | | 7 | 29A | 30 |
| | | 7 | 35A | 10 |
| | | 7 | 359A | 7 |
| | | 7 | 482A | 4 |
| | | 8 | 44A | 6 |
| | | 8 | 95A | 8 |
| MF19058-3-3BAC | | 8 | 95A | 8 |
| MF19058-3-4BAC | | 1 | 21 | 4 |
| | | 5 | 25 | 4 |
| | | 7 | 26 | 4 |
| MF19058-3-5BAC | | 1 | 20 | 1 |
| | | 5 | 22 | 1 |
| | | 7 | 23 | 1 |
| | | 1 | 16 | 2 |
| | | 1 | 94 | 129 |
| MF53049-3 | | 1 | 124 | 47 |
| | | 1 | 133G | 10 |
| | | 1 | 182 | 1 |
| | | 1 | 310 | 2 |
| | | 1 | 364 | 32 |
| | | 1 | 368 | 2 |
| | | 1 | 386 | 2 |
| | | 1 | 523G | 45 |
| | | 1 | 545G | 6 |
| | | 1 | 578 | 3 |
| | | 1 | 714 | 6 |
| | | 2 | 270 | 4 |
| | | 2 | 355 | 8 |
| | | 2 | 415 | 8 |
| | | 2 | 460 | 1 |
| | | 2 | 500 | 1 |
| | | 2 | 540 | 1 |
| 2 | 580 | 1 | | |
| 2 | 620 | 1 | | |
| 2 | 655 | 1 | | |
| 2 | 695 | 1 | | |

57-43-37

ILLUSTRATED PARTS LIST
 01.1 Page 1044
 Jul 01/03

015T0165
 015T1507
 114T3100
 DASH NUMBERS LIMITED

 **BOEING**
 COMPONENT
 MAINTENANCE MANUAL

| PART NUMBER | AIRLINE PART NO. | FIG. | ITEM | TTL REQ |
|-------------|---------------------|------|------|------------|
| MF53049-3 | | 2 | 735 | 1 |
| | | 2 | 775 | 1 |
| | | 2 | 809 | 1 |
| | | 2 | 833 | 1 |
| | | 2 | 856 | 1 |
| | | 2 | 883 | 1 |
| | | 3 | 245 | 6 |
| | | 3 | 315 | 21 |
| | | 3 | 435 | 19 |
| | | 3 | 485 | 3 |
| | | 3 | 550 | 2 |
| | | 3 | 665 | 3 |
| | | 5 | 20 | 2 |
| | | 5 | 190 | 125 |
| | | 5 | 265 | 47 |
| | | 5 | 295 | 10 |
| | | 5 | 415 | 2 |
| | | 5 | 502 | 32 |
| | | 5 | 506 | 2 |
| | | 5 | 558 | 45 |
| | | 5 | 576 | 6 |
| | | 5 | 622 | 6 |
| | | 6 | 270 | 4 |
| | | 6 | 355 | 8 |
| | | 6 | 415 | 8 |
| | | 6 | 460 | 1 |
| | | 6 | 500 | 1 |
| | | 6 | 540 | 1 |
| | | 6 | 580 | 1 |
| | | 6 | 606 | 1 |
| | | 6 | 622 | 1 |
| | | 6 | 638 | 1 |
| | | 6 | 654 | 1 |
| | | 6 | 670 | 1 |
| | | 6 | 686 | 1 |
| | | 6 | 700 | 1 |
| | | 6 | 718 | 1 |
| | | 7 | 17 | 2 |
| | | 7 | 119 | 129 |
| | | 7 | 161 | 47 |
| | | 7 | 251 | 2 |
| | 7 | 305 | 32 | |
| | 7 | 311 | 2 | |
| | 7 | 389 | 46 | |
| | 7 | 416 | 2 | |

57-43-37

ILLUSTRATED PARTS LIST
 01.1 Page 1045
 Jul 01/03

| PART NUMBER | AIRLINE PART NO. | FIG. | ITEM | TTL REQ |
|---------------|---------------------|------|------|------------|
| MF53049-3 | | 7 | 485 | 6 |
| | | 8 | 164 | 4 |
| | | 8 | 214 | 8 |
| | | 8 | 250 | 8 |
| | | 8 | 277 | 1 |
| | | 8 | 301 | 1 |
| | | 8 | 325 | 1 |
| | | 8 | 349 | 1 |
| | | 8 | 373 | 1 |
| | | 8 | 394 | 1 |
| | | 8 | 418 | 1 |
| | | 8 | 442 | 1 |
| | | 8 | 466 | 1 |
| | | 8 | 490 | 1 |
| | | 8 | 514 | 1 |
| | | 8 | 538 | 1 |
| | 8 | 565 | 1 | |
| MS15001-1 | | 2 | 950 | 1 |
| MS24665-287 | | 2 | 902 | 1 |
| | | 2 | 922 | 1 |
| | | 2 | 946 | 1 |
| | | 2 | 898 | 1 |
| MS27253-1 | | 6 | 728 | 1 |
| | | 8 | 580 | 1 |
| NAS1149DN816J | | 7 | 347A | 4 |
| | | 7 | 470A | 2 |
| | | 7 | 471A | 2 |
| NAS1149D0316J | | 3 | 75A | 54 |
| | | 3 | 77A | 53 |
| | | 3 | 190A | 36 |
| | | 3 | 192A | 34 |
| | | 7 | 137A | 147 |
| | | 7 | 266A | 62 |
| | | 7 | 377A | 120 |
| NAS1195DD3KH | | 7 | 404A | 3 |
| | | 1 | 104 | 6 |
| | | 1 | 508 | 7 |
| | | 1 | 718 | 9 |
| | | 2 | 470 | 1 |
| | | 2 | 510 | 1 |
| | | 2 | 550 | 1 |
| | | 2 | 590 | 1 |
| | | 2 | 665 | 1 |
| | | 2 | 705 | 1 |
| | 2 | 745 | 1 | |

57-43-37

ILLUSTRATED PARTS LIST
 01.1 Page 1046
 Jul 01/03

| PART NUMBER | AIRLINE PART NO. | FIG. | ITEM | TTL REQ |
|--------------|---------------------|------|------|------------|
| NAS1195DD3KH | | 2 | 785 | 1 |
| | | 2 | 815 | 1 |
| | | 2 | 839 | 1 |
| | | 2 | 865 | 2 |
| | | 2 | 889 | 1 |
| | | 5 | 215 | 6 |
| | | 5 | 542 | 7 |
| | | 5 | 626 | 9 |
| | | 6 | 470 | 1 |
| | | 6 | 510 | 1 |
| | | 6 | 550 | 1 |
| | | 6 | 610 | 1 |
| | | 6 | 626 | 1 |
| | | 6 | 642 | 1 |
| | | 6 | 658 | 1 |
| | | 6 | 674 | 1 |
| | | 6 | 690 | 1 |
| | | 6 | 706 | 1 |
| | | 6 | 722 | 1 |
| | | 7 | 365 | 7 |
| | | 7 | 491 | 9 |
| | | 8 | 283 | 1 |
| | | 8 | 307 | 1 |
| | | 8 | 331 | 1 |
| | | 8 | 355 | 1 |
| | | 8 | 400 | 1 |
| | | 8 | 424 | 1 |
| | | 8 | 448 | 1 |
| | | 8 | 472 | 1 |
| | | 8 | 496 | 1 |
| | | 8 | 520 | 1 |
| | | 8 | 547 | 2 |
| | | 8 | 571 | 1 |
| NAS1195DD3KM | | 1 | 186 | 4 |
| | | 2 | 85 | 11 |
| | | 2 | 165 | 6 |
| | | 2 | 280 | 6 |
| | | 2 | 425 | 2 |
| | | 2 | 475 | 5 |
| | | 2 | 515 | 3 |
| | | 2 | 555 | 4 |
| | | 2 | 595 | 4 |
| | | 2 | 630A | 3 |
| | 2 | 670 | 6 | |
| | 2 | 710 | 5 | |

57-43-37

| PART NUMBER | AIRLINE PART NO. | FIG. | ITEM | TTL REQ |
|--------------|---------------------|------|------|------------|
| NAS1195DD3KM | | 2 | 750 | 6 |
| | | 2 | 790 | 4 |
| | | 2 | 818 | 4 |
| | | 2 | 842 | 4 |
| | | 2 | 868 | 3 |
| | | 2 | 892 | 6 |
| | | 6 | 85 | 11 |
| | | 6 | 165 | 6 |
| | | 6 | 280 | 6 |
| | | 6 | 425 | 2 |
| | | 6 | 475 | 3 |
| | | 6 | 515 | 4 |
| | | 6 | 555 | 4 |
| | | 6 | 590 | 3 |
| | | 6 | 612 | 6 |
| | | 6 | 628 | 5 |
| | | 6 | 644 | 6 |
| | | 6 | 660 | 4 |
| | | 6 | 676 | 4 |
| | | 6 | 692 | 4 |
| | | 6 | 708 | 4 |
| | | 6 | 724 | 6 |
| | | 8 | 50 | 11 |
| | | 8 | 101 | 6 |
| | | 8 | 170 | 6 |
| | | 8 | 256 | 2 |
| | | 8 | 286 | 5 |
| | | 8 | 310 | 3 |
| | | 8 | 334 | 4 |
| | | 8 | 358 | 4 |
| | | 8 | 379 | 3 |
| | | 8 | 403 | 6 |
| | | 8 | 427 | 5 |
| | | 8 | 451 | 6 |
| | | 8 | 475 | 4 |
| | | 8 | 499 | 4 |
| | | 8 | 523 | 4 |
| | | 8 | 550 | 3 |
| | | 8 | 574 | 6 |
| | NAS6708D20 | | 2 | 904 |
| NAS6708D23 | | 2 | 924 | 1 |
| NES07FBG | | 2 | 345 | 1 |
| | | 2 | 405 | 1 |
| | | 6 | 345 | 1 |
| | | 6 | 405 | 1 |

57-43-37

ILLUSTRATED PARTS LIST
 01.1 Page 1048
 Jul 01/03

015T0165
 015T1507
 114T3100
 DASH NUMBERS LIMITED

 **BOEING**
 COMPONENT
 MAINTENANCE MANUAL

| PART NUMBER | AIRLINE PART NO. | FIG. | ITEM | TTL REQ |
|-------------|---------------------|------|------|------------|
| NES07FBG | | 8 | 209 | 1 |
| | | 8 | 244 | 1 |
| NES08FBGC | | 2 | 65 | 1 |
| | | 2 | 147 | 1 |
| | | 6 | 65 | 1 |
| | | 6 | 147 | 1 |
| | | 8 | 38 | 1 |
| | | 8 | 89 | 1 |
| | | 1 | 16 | 2 |
| | | 1 | 94 | 129 |
| NS103218-02 | | 1 | 124 | 47 |
| | | 1 | 133G | 10 |
| | | 1 | 182 | 1 |
| | | 1 | 310 | 2 |
| | | 1 | 364 | 32 |
| | | 1 | 368 | 2 |
| | | 1 | 386 | 2 |
| | | 1 | 523G | 45 |
| | | 1 | 545G | 6 |
| | | 1 | 578 | 3 |
| | | 1 | 714 | 6 |
| | | 2 | 270 | 4 |
| | | 2 | 355 | 8 |
| | | 2 | 415 | 8 |
| | | 2 | 460 | 1 |
| | | 2 | 500 | 1 |
| | | 2 | 540 | 1 |
| | | 2 | 580 | 1 |
| | | 2 | 620 | 1 |
| | | 2 | 655 | 1 |
| | | 2 | 695 | 1 |
| | | 2 | 735 | 1 |
| | | 2 | 775 | 1 |
| | | 2 | 809 | 1 |
| | | 2 | 833 | 1 |
| | | 2 | 856 | 1 |
| | | 2 | 883 | 1 |
| | | 3 | 245 | 6 |
| | | 3 | 315 | 21 |
| | | 3 | 435 | 19 |
| | | 3 | 485 | 3 |
| | | 3 | 550 | 2 |
| 3 | 665 | 3 | | |
| 5 | 20 | 2 | | |
| 5 | 190 | 125 | | |

57-43-37

ILLUSTRATED PARTS LIST
 01.1 Page 1049
 Jul 01/03

| PART NUMBER | AIRLINE PART NO. | FIG. | ITEM | TTL REQ |
|-------------|---------------------|------|------|------------|
| NS103218-02 | | 5 | 265 | 47 |
| | | 5 | 295 | 10 |
| | | 5 | 415 | 2 |
| | | 5 | 502 | 32 |
| | | 5 | 506 | 2 |
| | | 5 | 558 | 45 |
| | | 5 | 576 | 6 |
| | | 5 | 622 | 6 |
| | | 6 | 270 | 4 |
| | | 6 | 355 | 8 |
| | | 6 | 415 | 8 |
| | | 6 | 460 | 1 |
| | | 6 | 500 | 1 |
| | | 6 | 540 | 1 |
| | | 6 | 580 | 1 |
| | | 6 | 606 | 1 |
| | | 6 | 622 | 1 |
| | | 6 | 638 | 1 |
| | | 6 | 654 | 1 |
| | | 6 | 670 | 1 |
| | | 6 | 686 | 1 |
| | | 6 | 700 | 1 |
| | | 6 | 718 | 1 |
| | | 7 | 17 | 2 |
| | | 7 | 119 | 129 |
| | | 7 | 161 | 47 |
| | | 7 | 251 | 2 |
| | | 7 | 305 | 32 |
| | | 7 | 311 | 2 |
| | | 7 | 389 | 46 |
| | | 7 | 416 | 2 |
| | | 7 | 485 | 6 |
| | | 8 | 164 | 4 |
| | | 8 | 214 | 8 |
| | | 8 | 250 | 8 |
| | | 8 | 277 | 1 |
| | | 8 | 301 | 1 |
| | | 8 | 325 | 1 |
| | | 8 | 349 | 1 |
| | | 8 | 373 | 1 |
| | 8 | 394 | 1 | |
| | 8 | 418 | 1 | |
| | 8 | 442 | 1 | |
| | 8 | 466 | 1 | |
| | 8 | 490 | 1 | |

57-43-37

ILLUSTRATED PARTS LIST
 01.1 Page 1050
 Jul 01/03

015T0165
 015T1507
 114T3100
 DASH NUMBERS LIMITED

 **BOEING**
 COMPONENT
 MAINTENANCE MANUAL

| PART NUMBER | AIRLINE PART NO. | FIG. | ITEM | TTL REQ |
|--------------|---------------------|------|------|------------|
| NS103218-02 | | 8 | 514 | 1 |
| | | 8 | 538 | 1 |
| | | 8 | 565 | 1 |
| NS103218-048 | | 2 | 859 | 3 |
| | | 6 | 702 | 3 |
| | | 8 | 541 | 3 |
| | | 1 | 92 | 1 |
| NS103225-02 | | 1 | 98 | 29 |
| | | 1 | 102 | 6 |
| | | 1 | 153H | 22 |
| | | 1 | 184 | 4 |
| | | 1 | 312 | 18 |
| | | 1 | 345H | 24 |
| | | 1 | 506 | 15 |
| | | 1 | 545R | 31 |
| | | 1 | 716 | 20 |
| | | 2 | 80 | 12 |
| | | 2 | 160 | 14 |
| | | 2 | 275 | 20 |
| | | 2 | 360 | 8 |
| | | 2 | 420 | 18 |
| | | 2 | 465 | 7 |
| | | 2 | 505 | 5 |
| | | 2 | 545 | 6 |
| | | 2 | 585A | 6 |
| | | 2 | 625 | 4 |
| | | 2 | 660 | 7 |
| | | 2 | 700 | 6 |
| | | 2 | 740 | 7 |
| | | 2 | 780 | 6 |
| | | 2 | 812 | 6 |
| | | 2 | 836 | 6 |
| | | 2 | 862 | 6 |
| | | 2 | 886 | 8 |
| | | 5 | 187 | 1 |
| | | 5 | 200 | 28 |
| | | 5 | 210 | 6 |
| | | 5 | 420 | 18 |
| | | 5 | 540 | 15 |
| | | 5 | 624 | 20 |
| 6 | 80 | 12 | | |
| 6 | 160 | 14 | | |
| 6 | 275 | 20 | | |
| 6 | 360 | 18 | | |
| 6 | 465 | 5 | | |

57-43-37

ILLUSTRATED PARTS LIST
 01.1 Page 1051
 Jul 01/03

| PART NUMBER | AIRLINE PART NO. | FIG. | ITEM | TTL REQ |
|-------------|---------------------|------|------|------------|
| NS103225-02 | | 6 | 505 | 6 |
| | | 6 | 545 | 6 |
| | | 6 | 585 | 4 |
| | | 6 | 608 | 7 |
| | | 6 | 624 | 6 |
| | | 6 | 640 | 7 |
| | | 6 | 656 | 6 |
| | | 6 | 672 | 6 |
| | | 6 | 688 | 6 |
| | | 6 | 704 | 5 |
| | | 6 | 720 | 8 |
| | | 7 | 116 | 1 |
| | | 7 | 125 | 29 |
| | | 7 | 131 | 6 |
| | | 7 | 254 | 18 |
| | | 7 | 362 | 15 |
| | | 7 | 488 | 20 |
| | | 8 | 47 | 12 |
| | | 8 | 98 | 14 |
| | | 8 | 167 | 20 |
| | | 8 | 217 | 8 |
| | | 8 | 253 | 18 |
| | | 8 | 280 | 7 |
| | | 8 | 304 | 5 |
| | | 8 | 328 | 6 |
| | | 8 | 352 | 6 |
| | | 8 | 376 | 4 |
| | | 8 | 397 | 7 |
| | | 8 | 421 | 6 |
| | | 8 | 445 | 7 |
| | | 8 | 469 | 6 |
| | | 8 | 493 | 6 |
| | | 8 | 517 | 6 |
| | 8 | 544 | 6 | |
| | 8 | 568 | 8 | |
| RMF9201M3 | | 1 | 16 | 2 |
| | | 1 | 94 | 129 |
| | | 1 | 124 | 47 |
| | | 1 | 133G | 10 |
| | | 1 | 182 | 1 |
| | | 1 | 310 | 2 |
| | | 1 | 364 | 32 |
| | | 1 | 368 | 2 |
| | 1 | 386 | 2 | |
| | 1 | 523G | 45 | |

57-43-37

 ILLUSTRATED PARTS LIST
 01.1 Page 1052
 Jul 01/03

015T0165
 015T1507
 114T3100
 DASH NUMBERS LIMITED

 **BOEING**
 COMPONENT
 MAINTENANCE MANUAL

| PART NUMBER | AIRLINE PART NO. | FIG. | ITEM | TTL REQ |
|-------------|---------------------|------|------|------------|
| RMF9201M3 | | 1 | 545G | 6 |
| | | 1 | 578 | 3 |
| | | 1 | 714 | 6 |
| | | 2 | 270 | 4 |
| | | 2 | 355 | 8 |
| | | 2 | 415 | 8 |
| | | 2 | 460 | 1 |
| | | 2 | 500 | 1 |
| | | 2 | 540 | 1 |
| | | 2 | 580 | 1 |
| | | 2 | 620 | 1 |
| | | 2 | 655 | 1 |
| | | 2 | 695 | 1 |
| | | 2 | 735 | 1 |
| | | 2 | 775 | 1 |
| | | 2 | 809 | 1 |
| | | 2 | 833 | 1 |
| | | 2 | 856 | 1 |
| | | 2 | 883 | 1 |
| | | 3 | 245 | 6 |
| | | 3 | 315 | 21 |
| | | 3 | 435 | 19 |
| | | 3 | 485 | 3 |
| | | 3 | 550 | 2 |
| | | 3 | 665 | 3 |
| | | 5 | 20 | 2 |
| | | 5 | 190 | 125 |
| | | 5 | 265 | 47 |
| | | 5 | 295 | 10 |
| | | 5 | 415 | 2 |
| | | 5 | 502 | 32 |
| | | 5 | 506 | 2 |
| | | 5 | 558 | 45 |
| | | 5 | 576 | 6 |
| | | 5 | 622 | 6 |
| | | 6 | 270 | 4 |
| | | 6 | 355 | 8 |
| | | 6 | 415 | 8 |
| | | 6 | 460 | 1 |
| | | 6 | 500 | 1 |
| | 6 | 540 | 1 | |
| | 6 | 580 | 1 | |
| | 6 | 606 | 1 | |
| | 6 | 622 | 1 | |
| | 6 | 638 | 1 | |

57-43-37

ILLUSTRATED PARTS LIST
 01.1 Page 1053
 Jul 01/03

| PART NUMBER | AIRLINE PART NO. | FIG. | ITEM | TTL REQ |
|-------------|---------------------|------|------|------------|
| RMF9201M3 | | 6 | 654 | 1 |
| | | 6 | 670 | 1 |
| | | 6 | 686 | 1 |
| | | 6 | 700 | 1 |
| | | 6 | 718 | 1 |
| | | 7 | 17 | 2 |
| | | 7 | 119 | 129 |
| | | 7 | 161 | 47 |
| | | 7 | 251 | 2 |
| | | 7 | 305 | 32 |
| | | 7 | 311 | 2 |
| | | 7 | 389 | 46 |
| | | 7 | 416 | 2 |
| | | 7 | 485 | 6 |
| | | 8 | 164 | 4 |
| | | 8 | 214 | 8 |
| | | 8 | 250 | 8 |
| | | 8 | 277 | 1 |
| | | 8 | 301 | 1 |
| | | 8 | 325 | 1 |
| | | 8 | 349 | 1 |
| | | 8 | 373 | 1 |
| | | 8 | 394 | 1 |
| | | 8 | 418 | 1 |
| | | 8 | 442 | 1 |
| | | 8 | 466 | 1 |
| | | 8 | 490 | 1 |
| | | 8 | 514 | 1 |
| | | 8 | 538 | 1 |
| | | 8 | 565 | 1 |
| RMF9201M4 | | 2 | 859 | 3 |
| | | 6 | 702 | 3 |
| RMF9209M3 | | 8 | 541 | 3 |
| | | 1 | 92 | 1 |
| | | 1 | 98 | 29 |
| | | 1 | 102 | 6 |
| | | 1 | 153H | 22 |
| | | 1 | 184 | 4 |
| | | 1 | 312 | 18 |
| | 1 | 345H | 24 | |

57-43-37

 ILLUSTRATED PARTS LIST
 01.1 Page 1054
 Jul 01/03

015T0165
 015T1507
 114T3100
 DASH NUMBERS LIMITED

 **BOEING**
 COMPONENT
 MAINTENANCE MANUAL

| PART NUMBER | AIRLINE PART NO. | FIG. | ITEM | TTL REQ |
|-------------|---------------------|------|------|------------|
| RMF9209M3 | | 1 | 506 | 15 |
| | | 1 | 545R | 31 |
| | | 1 | 716 | 20 |
| | | 2 | 80 | 12 |
| | | 2 | 160 | 14 |
| | | 2 | 275 | 20 |
| | | 2 | 360 | 8 |
| | | 2 | 420 | 18 |
| | | 2 | 465 | 7 |
| | | 2 | 505 | 5 |
| | | 2 | 545 | 6 |
| | | 2 | 585A | 6 |
| | | 2 | 625 | 4 |
| | | 2 | 660 | 7 |
| | | 2 | 700 | 6 |
| | | 2 | 740 | 7 |
| | | 2 | 780 | 6 |
| | | 2 | 812 | 6 |
| | | 2 | 836 | 6 |
| | | 2 | 862 | 6 |
| | 2 | 886 | 8 | |
| | 5 | 187 | 1 | |
| | 5 | 200 | 28 | |
| | 5 | 210 | 6 | |
| | 5 | 420 | 18 | |
| | 5 | 540 | 15 | |

57-43-37

ILLUSTRATED PARTS LIST
 01.1 Page 1055
 Jul 01/03

| PART NUMBER | AIRLINE PART NO. | FIG. | ITEM | TTL REQ |
|-------------|---------------------|------|------|------------|
| RMF9209M3 | | 5 | 624 | 20 |
| | | 6 | 80 | 12 |
| | | 6 | 160 | 14 |
| | | 6 | 275 | 20 |
| | | 6 | 360 | 18 |
| | | 6 | 465 | 5 |
| | | 6 | 505 | 6 |
| | | 6 | 545 | 6 |
| | | 6 | 585 | 4 |
| | | 6 | 608 | 7 |
| | | 6 | 624 | 6 |
| | | 6 | 640 | 7 |
| | | 6 | 656 | 6 |
| | | 6 | 672 | 6 |
| | | 6 | 688 | 6 |
| | | 6 | 704 | 5 |
| | | 6 | 720 | 8 |
| | | 7 | 116 | 1 |
| | | 7 | 125 | 29 |
| | | 7 | 131 | 6 |
| | | 7 | 254 | 18 |
| | | 7 | 362 | 15 |
| | | 7 | 488 | 20 |
| | | 8 | 47 | 12 |
| | | 8 | 98 | 14 |
| | | 8 | 167 | 20 |
| | | 8 | 217 | 8 |
| | | 8 | 253 | 18 |
| | | 8 | 280 | 7 |
| | | 8 | 304 | 5 |
| | | 8 | 328 | 6 |
| | | 8 | 352 | 6 |
| | | 8 | 376 | 4 |
| | | 8 | 397 | 7 |
| | | 8 | 421 | 6 |
| | | 8 | 445 | 7 |
| | | 8 | 469 | 6 |
| | 8 | 493 | 6 | |
| | 8 | 517 | 6 | |
| | 8 | 544 | 6 | |
| | 8 | 568 | 8 | |
| RMLH22-7 | | 1 | 232 | 1 |
| | | 1 | 432 | 1 |
| | | 1 | 636 | 1 |
| RMLH22-8 | | 1 | 222 | 1 |
| | | 1 | 418 | 1 |
| | | 1 | 622 | 1 |

57-43-37

ILLUSTRATED PARTS LIST
 01.1 Page 1056
 Jul 01/03

015T0165
 015T1507
 114T3100
 DASH NUMBERS LIMITED

 **BOEING**
 COMPONENT
 MAINTENANCE MANUAL

| PART NUMBER | AIRLINE PART NO. | FIG. | ITEM | TTL REQ |
|-----------------------------|---------------------|------|------|------------|
| RMLH227 | | 1 | 232 | 1 |
| | | 1 | 432 | 1 |
| | | 1 | 636 | 1 |
| RMLH228 | | 1 | 222 | 1 |
| | | 1 | 418 | 1 |
| | | 1 | 622 | 1 |
| | | 8 | 89A | 1 |
| | | 1 | 202 | 4 |
| SWKRS07-350SC TLN1020-3N | | 1 | 286 | 4 |
| | | 1 | 404 | 2 |
| | | 1 | 484 | 2 |
| | | 1 | 594 | 2 |
| | | 1 | 688 | 2 |
| | | 2 | 35 | 4 |
| | | 2 | 125 | 4 |
| | | 2 | 205 | 6 |
| | | 2 | 320 | 4 |
| | | 5 | 355 | 4 |
| | | 5 | 518 | 2 |
| | | 5 | 596 | 2 |
| | | 6 | 35 | 4 |
| | | 6 | 125 | 4 |
| | | 6 | 205 | 6 |
| | | 6 | 320 | 4 |
| | | 7 | 215 | 4 |
| | | 7 | 329 | 2 |
| | | 7 | 446 | 2 |
| | | 8 | 23 | 4 |
| 8 | 74 | 4 | | |
| 8 | 125 | 6 | | |
| 8 | 194 | 4 | | |

57-43-37

ILLUSTRATED PARTS LIST
 01.1 Page 1057
 Jul 01/03

| PART NUMBER | AIRLINE PART NO. | FIG. | ITEM | TTL REQ | |
|-------------|---------------------|------|------|------------|---|
| TLN1020L3W | | 1 | 200 | 4 | |
| | | 1 | 284 | 4 | |
| | | 1 | 402 | 2 | |
| | | 1 | 482 | 2 | |
| | | 1 | 592 | 2 | |
| | | 1 | 686 | 2 | |
| | | 2 | 30 | 4 | |
| | | 2 | 120A | 4 | |
| | | 2 | 200 | 6 | |
| | | 2 | 315 | 4 | |
| | | 5 | 350 | 4 | |
| | | 5 | 516 | 2 | |
| | | 5 | 594 | 2 | |
| | | 6 | 30 | 4 | |
| | | 6 | 120 | 4 | |
| | | 6 | 200 | 6 | |
| | | 6 | 315 | 4 | |
| | | 7 | 212 | 4 | |
| | | 7 | 326 | 2 | |
| | | 7 | 443 | 2 | |
| | | 8 | 20 | 4 | |
| | | 8 | 71 | 4 | |
| | | 8 | 122 | 6 | |
| | | 8 | 191 | 4 | |
| | T8124S4S | | 2 | 859 | 3 |
| | | | 6 | 702 | 3 |
| | | | 8 | 541 | 3 |
| VAL280097 | | 1 | 232 | 1 | |
| | | 1 | 432 | 1 | |
| VAL280098 | | 1 | 636 | 1 | |
| | | 1 | 222 | 1 | |
| | | 1 | 418 | 1 | |
| VN252A02 | | 1 | 622 | 1 | |
| | | 1 | 16 | 2 | |
| | | 1 | 94 | 129 | |
| | | 1 | 124 | 47 | |
| | | 1 | 133G | 10 | |
| | | 1 | 182 | 1 | |
| | | 1 | 310 | 2 | |
| | | 1 | 364 | 32 | |
| | | 1 | 368 | 2 | |
| | | 1 | 386 | 2 | |
| | | 1 | 523G | 45 | |
| | | 1 | 545G | 6 | |
| | | 1 | 578 | 3 | |
| | 1 | 714 | 6 | | |
| | 2 | 270 | 4 | | |

57-43-37

ILLUSTRATED PARTS LIST
 01.1 Page 1058
 Jul 01/03

015T0165
 015T1507
 114T3100
 DASH NUMBERS LIMITED

 **BOEING**
 COMPONENT
 MAINTENANCE MANUAL

| PART NUMBER | AIRLINE PART NO. | FIG. | ITEM | TTL REQ |
|-------------|---------------------|------|------|------------|
| VN252A02 | | 2 | 355 | 8 |
| | | 2 | 415 | 8 |
| | | 2 | 460 | 1 |
| | | 2 | 500 | 1 |
| | | 2 | 540 | 1 |
| | | 2 | 580 | 1 |
| | | 2 | 620 | 1 |
| | | 2 | 655 | 1 |
| | | 2 | 695 | 1 |
| | | 2 | 735 | 1 |
| | | 2 | 775 | 1 |
| | | 2 | 809 | 1 |
| | | 2 | 833 | 1 |
| | | 2 | 856 | 1 |
| | | 2 | 883 | 1 |
| | | 3 | 245 | 6 |
| | | 3 | 315 | 21 |
| | | 3 | 435 | 19 |
| | | 3 | 485 | 3 |
| | | 3 | 550 | 2 |
| | | 3 | 665 | 3 |
| | | 5 | 20 | 2 |
| | | 5 | 190 | 125 |
| | | 5 | 265 | 47 |
| | | 5 | 295 | 10 |
| | | 5 | 415 | 2 |
| | | 5 | 502 | 32 |
| | | 5 | 506 | 2 |
| | | 5 | 558 | 45 |
| | | 5 | 576 | 6 |
| | | 5 | 622 | 6 |
| | | 6 | 270 | 4 |
| | | 6 | 355 | 8 |
| | | 6 | 415 | 8 |
| | | 6 | 460 | 1 |
| | | 6 | 500 | 1 |
| | | 6 | 540 | 1 |
| | | 6 | 580 | 1 |
| | | 6 | 606 | 1 |
| | | 6 | 622 | 1 |
| | 6 | 638 | 1 | |
| | 6 | 654 | 1 | |
| | 6 | 670 | 1 | |
| | 6 | 686 | 1 | |
| | 6 | 700 | 1 | |

57-43-37

ILLUSTRATED PARTS LIST
 01.1 Page 1059
 Jul 01/03

| PART NUMBER | AIRLINE PART NO. | FIG. | ITEM | TTL REQ |
|-------------|---------------------|------|------|------------|
| VN252A02 | | 6 | 718 | 1 |
| | | 7 | 17 | 2 |
| | | 7 | 119 | 129 |
| | | 7 | 161 | 47 |
| | | 7 | 251 | 2 |
| | | 7 | 305 | 32 |
| | | 7 | 311 | 2 |
| | | 7 | 389 | 46 |
| | | 7 | 416 | 2 |
| | | 7 | 485 | 6 |
| | | 8 | 164 | 4 |
| | | 8 | 214 | 8 |
| | | 8 | 250 | 8 |
| | | 8 | 277 | 1 |
| | | 8 | 301 | 1 |
| | | 8 | 325 | 1 |
| | | 8 | 349 | 1 |
| | | 8 | 373 | 1 |
| | | 8 | 394 | 1 |
| | | 8 | 418 | 1 |
| | 8 | 442 | 1 | |
| | 8 | 466 | 1 | |
| | 8 | 490 | 1 | |
| | 8 | 514 | 1 | |
| | 8 | 538 | 1 | |
| | 8 | 565 | 1 | |
| VN252A048 | | 2 | 859 | 3 |
| | | 6 | 702 | 3 |
| | | 8 | 541 | 3 |
| WC331K5-4 | | 7 | 467A | 1 |
| WC331K5-6 | | 7 | 341A | 3 |
| | | 7 | 344A | 1 |
| | | 7 | 464A | 1 |
| | | 7 | 465A | 1 |
| | | 7 | 466A | 1 |
| WC331K5-7 | | 7 | 465B | 1 |
| | | 7 | 467B | 1 |
| WES07FAGC | | 8 | 89A | 1 |
| 015T0165-10 | | 1 | 5N | RF |
| | | 2 | 5G | RF |
| 015T0165-11 | | 1 | 6H | RF |
| 015T0165-11 | | 2 | 2J | RF |
| 015T0165-12 | | 1 | 6L | RF |
| | | 2 | 4J | RF |
| 015T0165-9 | | 1 | 1N | RF |
| | | 2 | 1G | RF |

57-43-37

 ILLUSTRATED PARTS LIST
 01.1 Page 1060
 Jul 01/03

015T0165
 015T1507
 114T3100
 DASH NUMBERS LIMITED

 **BOEING**
 COMPONENT
 MAINTENANCE MANUAL

| PART NUMBER | AIRLINE PART NO. | FIG. | ITEM | TTL REQ |
|--------------|---------------------|------|------|------------|
| 015T1507-601 | | 1 | 1V | RF |
| | | 2 | 1H | RF |
| 015T1507-602 | | 1 | 5V | RF |
| | | 2 | 5H | RF |
| 015T1507-603 | | 1 | 1W | RF |
| | | 2 | 1J | RF |
| 015T1507-604 | | 1 | 5W | RF |
| | | 2 | 5J | RF |
| 015T1507-605 | | 1 | 1X | RF |
| | | 2 | 1K | RF |
| 015T1507-606 | | 1 | 5X | RF |
| | | 2 | 5K | RF |
| 015T1507-607 | | 1 | 2A | RF |
| | | 2 | 1P | RF |
| 015T1507-608 | | 1 | 4A | RF |
| | | 2 | 5P | RF |
| 015T1507-609 | | 1 | 2C | RF |
| | | 2 | 1R | RF |
| 015T1507-610 | | 1 | 4C | RF |
| | | 2 | 5R | RF |
| 015T1507-611 | | 1 | 2E | RF |
| | | 2 | 1T | RF |
| 015T1507-612 | | 1 | 4E | RF |
| | | 2 | 5T | RF |
| 015T1507-613 | | 1 | 2G | RF |
| | | 2 | 1V | RF |
| 015T1507-614 | | 1 | 4G | RF |
| | | 2 | 5V | RF |
| 015T1507-615 | | 1 | 2W | RF |
| | | 5 | 1G | RF |
| | | 6 | 1J | RF |
| 015T1507-616 | | 1 | 4W | RF |
| | | 5 | 5G | RF |
| | | 6 | 5J | RF |
| 015T1507-617 | | 1 | 2J | RF |
| | | 2 | 1X | RF |
| 015T1507-618 | | 1 | 4J | RF |
| | | 2 | 5X | RF |
| 015T1507-619 | | 1 | 2K | RF |
| | | 2 | 1Y | RF |
| 015T1507-620 | | 1 | 4K | RF |
| | | 2 | 5Y | RF |

57-43-37

ILLUSTRATED PARTS LIST
 01.1 Page 1060A
 Jul 01/03

| PART NUMBER | AIRLINE PART NO. | FIG. | ITEM | TTL REQ |
|--------------|---------------------|------|------|------------|
| 015T1507-621 | | 1 | 2L | RF |
| | | 2 | 1Z | RF |
| 015T1507-622 | | 1 | 4L | RF |
| | | 2 | 5Z | RF |
| 015T1507-623 | | 1 | 2Y | RF |
| | | 5 | 1J | RF |
| | | 6 | 1L | RF |
| 015T1507-624 | | 1 | 4Y | RF |
| | | 5 | 5J | RF |
| | | 6 | 5L | RF |
| 015T1507-625 | | 1 | 2Q | RF |
| | | 2 | 2C | RF |
| 015T1507-626 | | 1 | 4Q | RF |
| | | 2 | 4C | RF |
| 015T1507-627 | | 1 | 3D | RF |
| | | 7 | 1E | RF |
| | | 8 | 1E | RF |
| 015T1507-628 | | 1 | 3Q | RF |
| | | 7 | 5E | RF |
| | | 8 | 5E | RF |
| 015T1507-629 | | 1 | 3 | RF |
| | | 5 | 1L | RF |
| | | 6 | 1N | RF |
| 015T1507-630 | | 1 | 3W | RF |
| | | 5 | 5L | RF |
| | | 6 | 5N | RF |
| 015T1507-631 | | 1 | 2S | RF |
| | | 2 | 2E | RF |
| 015T1507-632 | | 1 | 4S | RF |
| | | 2 | 4E | RF |
| 015T1507-633 | | 1 | 3F | RF |
| | | 7 | 1G | RF |
| | | 8 | 1G | RF |

57-43-37

ILLUSTRATED PARTS LIST
 01.1 Page 1060B
 Jul 01/03

015T0165
 015T1507
 114T3100
 DASH NUMBERS LIMITED

 **BOEING**
 COMPONENT
 MAINTENANCE MANUAL

| PART NUMBER | AIRLINE PART NO. | FIG. | ITEM | TTL REQ |
|--------------|---------------------|------|------|------------|
| 015T1507-634 | | 1 | 3S | RF |
| | | 7 | 5G | RF |
| | | 8 | 5G | RF |
| 015T1507-635 | | 1 | 3H | RF |
| | | 7 | 1J | RF |
| | | 8 | 1J | RF |
| 015T1507-636 | | 1 | 3U | RF |
| | | 7 | 5J | RF |
| | | 8 | 5K | RF |
| 015T1507-637 | | 1 | 3B | RF |
| | | 5 | 1N | RF |
| 015T1507-637 | | 6 | 1Q | RF |
| 015T1507-638 | | 1 | 3Y | RF |
| | | 5 | 5N | RF |
| 015T1507-641 | | 6 | 5Q | RF |
| | | 1 | 1Y | RF |
| 015T1507-642 | | 2 | 1L | RF |
| | | 1 | 5Y | RF |
| 015T1507-643 | | 2 | 5L | RF |
| | | 1 | 1Z | RF |
| 015T1507-644 | | 2 | 1M | RF |
| | | 1 | 5Z | RF |
| 015T1507-645 | | 2 | 5M | RF |
| | | 1 | 2 | RF |
| 015T1507-646 | | 2 | 1N | RF |
| | | 1 | 4 | RF |
| 015T1507-647 | | 2 | 5N | RF |
| | | 1 | 2B | RF |
| 015T1507-648 | | 2 | 1Q | RF |
| | | 1 | 4B | RF |
| 015T1507-649 | | 2 | 5Q | RF |
| | | 1 | 2D | RF |
| 015T1507-650 | | 2 | 1S | RF |
| | | 1 | 4D | RF |
| | | 2 | 5S | RF |

57-43-37

ILLUSTRATED PARTS LIST
 01.1 Page 1060C
 Jul 01/03

| PART NUMBER | AIRLINE PART NO. | FIG. | ITEM | TTL REQ |
|--------------|---------------------|------|------|------------|
| 015T1507-651 | | 1 | 2F | RF |
| | | 2 | 1U | RF |
| 015T1507-652 | | 1 | 4F | RF |
| | | 2 | 5U | RF |
| 015T1507-653 | | 1 | 2H | RF |
| | | 2 | 1W | RF |
| 015T1507-654 | | 1 | 4H | RF |
| | | 2 | 5W | RF |
| 015T1507-655 | | 1 | 2X | RF |
| | | 5 | 1H | RF |
| | | 6 | 1K | RF |
| 015T1507-656 | | 1 | 4X | RF |
| | | 5 | 5H | RF |
| | | 6 | 5K | RF |
| 015T1507-657 | | 1 | 2M | RF |
| | | 2 | 2 | RF |
| 015T1507-658 | | 1 | 4M | RF |
| | | 2 | 4 | RF |
| 015T1507-659 | | 1 | 2N | RF |
| | | 2 | 2A | RF |
| 015T1507-660 | | 1 | 4N | RF |
| | | 2 | 4A | RF |
| 015T1507-661 | | 1 | 2P | RF |
| | | 2 | 2B | RF |
| 015T1507-662 | | 1 | 4P | RF |
| | | 2 | 4B | RF |
| 015T1507-663 | | 1 | 2Z | RF |
| | | 5 | 1K | RF |
| | | 6 | 1M | RF |
| 015T1507-664 | | 1 | 4Z | RF |
| | | 5 | 5K | RF |
| | | 6 | 5M | RF |
| 015T1507-665 | | 1 | 2R | RF |
| | | 2 | 2D | RF |
| 015T1507-666 | | 1 | 4R | RF |
| | | 2 | 4D | RF |
| 015T1507-667 | | 1 | 3E | RF |
| | | 7 | 1F | RF |
| | | 8 | 1F | RF |

57-43-37

 ILLUSTRATED PARTS LIST
 01.1 Page 1060D
 Jul 01/03

015T0165
 015T1507
 114T3100
 DASH NUMBERS LIMITED

 **BOEING**
 COMPONENT
 MAINTENANCE MANUAL

| PART NUMBER | AIRLINE PART NO. | FIG. | ITEM | TTL REQ |
|--------------|---------------------|------|------|------------|
| 015T1507-668 | | 1 | 3R | RF |
| | | 7 | 5F | RF |
| | | 8 | 5F | RF |
| 015T1507-669 | | 1 | 3A | RF |
| | | 5 | 1M | RF |
| | | 6 | 1P | RF |
| 015T1507-670 | | 1 | 3X | RF |
| | | 5 | 5M | RF |
| | | 6 | 5P | RF |
| 015T1507-671 | | 1 | 2T | RF |
| | | 2 | 2F | RF |
| 015T1507-672 | | 1 | 4T | RF |
| | | 2 | 4F | RF |
| 015T1507-673 | | 1 | 3G | RF |
| | | 7 | 1H | RF |
| | | 8 | 1H | RF |
| 015T1507-674 | | 1 | 3T | RF |
| | | 7 | 5H | RF |
| | | 8 | 5H | RF |
| 015T1507-675 | | 1 | 3J | RF |
| | | 7 | 1K | RF |
| | | 8 | 1K | RF |
| 015T1507-676 | | 1 | 3V | RF |
| | | 7 | 5K | RF |
| | | 8 | 5L | RF |
| 015T1507-677 | | 1 | 3C | RF |
| 015T1507-677 | | 5 | 1P | RF |
| 015T1507-678 | | 6 | 1R | RF |
| | | 1 | 3Z | RF |
| | | 5 | 5P | RF |
| 015T1507-681 | | 6 | 5R | RF |
| | | 1 | 2U | RF |
| | | 2 | 2G | RF |
| 015T1507-682 | | 1 | 4U | RF |
| | | 2 | 4G | RF |
| 015T1507-683 | | 1 | 6J | RF |
| | | 2 | 2K | RF |
| 015T1507-684 | | 1 | 6M | RF |
| | | 2 | 4K | RF |
| 015T1507-685 | | 1 | 2V | RF |
| | | 2 | 2H | RF |
| 015T1507-686 | | 1 | 4V | RF |
| | | 2 | 4H | RF |
| 015T1507-687 | | 1 | 6K | RF |
| | | 2 | 2L | RF |

57-43-37

ILLUSTRATED PARTS LIST
 01.1 Page 1060E
 Jul 01/03

| PART NUMBER | AIRLINE PART NO. | FIG. | ITEM | TTL REQ |
|--------------|---------------------|------|------|------------|
| 015T1507-688 | | 1 | 6N | RF |
| | | 2 | 4L | RF |
| 114T3006-41 | | 7 | 474 | 1 |
| 114T3008-1 | | 1 | 264 | 2 |
| | | 1 | 460 | 2 |
| | | 1 | 664 | 2 |
| 114T3008-2 | | 1 | 304A | 1 |
| | | 1 | 500A | 2 |
| | | 1 | 708A | 2 |
| | | 5 | 400 | 1 |
| | | 5 | 534 | 2 |
| | | 5 | 616 | 2 |
| | | 7 | 242 | 1 |
| | | 7 | 353 | 2 |
| | | 7 | 476 | 2 |
| 114T3051-1 | | 2 | 948 | 1 |
| 114T3051-2 | | 2 | 952 | 1 |
| 114T3052-1 | | 2 | 960 | 1 |
| 114T3052-2 | | 2 | 966 | 1 |
| 114T3052-3 | | 2 | 962 | 1 |
| 114T3100-1A | | 1 | 7F | RF |
| | | 2 | 2M | RF |
| 114T3100-1B | | 1 | 7G | RF |
| | | 2 | 2N | RF |
| 114T3100-1C | | 1 | 7H | RF |
| 114T3100-1C | | 2 | 2P | RF |
| 114T3100-11 | | 1 | 1A | RF |
| | | 2 | 1A | RF |
| 114T3100-12 | | 1 | 5A | RF |
| | | 2 | 5A | RF |
| 114T3100-13A | | 1 | 7J | RF |
| | | 2 | 2Q | RF |
| 114T3100-13C | | 1 | 7K | RF |
| | | 2 | 2R | RF |
| 114T3100-14A | | 1 | 7X | RF |
| | | 2 | 6G | RF |

57-43-37

 ILLUSTRATED PARTS LIST
 01.1 Page 1060F
 Jul 01/03

015T0165
 015T1507
 114T3100
 DASH NUMBERS LIMITED

 **BOEING**
 COMPONENT
 MAINTENANCE MANUAL

| PART NUMBER | AIRLINE PART NO. | FIG. | ITEM | TTL REQ |
|--------------|---------------------|------|------|------------|
| 114T3100-14C | | 1 | 7Y | RF |
| | | 2 | 6H | RF |
| 114T3100-15 | | 1 | 1C | RF |
| | | 2 | 1C | RF |
| 114T3100-16 | | 1 | 5C | RF |
| | | 2 | 5C | RF |
| 114T3100-17 | | 1 | 1D | RF |
| | | 5 | 1 | RF |
| | | 6 | 1B | RF |
| 114T3100-18 | | 1 | 5D | RF |
| | | 5 | 5 | RF |
| | | 6 | 5B | RF |
| 114T3100-2A | | 1 | 7U | RF |
| | | 2 | 6D | RF |
| 114T3100-2B | | 1 | 7V | RF |
| | | 2 | 6E | RF |
| 114T3100-2C | | 1 | 7W | RF |
| | | 2 | 6F | RF |
| 114T3100-21A | | 1 | 7L | RF |
| | | 2 | 2S | RF |
| 114T3100-21B | | 1 | 7M | RF |
| | | 2 | 2T | RF |
| 114T3100-21C | | 1 | 7N | RF |
| | | 2 | 2U | RF |
| 114T3100-22A | | 1 | 7Z | RF |
| | | 2 | 6J | RF |
| 114T3100-22B | | 1 | 8D | RF |
| | | 2 | 6K | RF |
| 114T3100-22C | | 1 | 8E | RF |
| | | 2 | 6L | RF |
| 114T3100-23 | | 1 | 1F | RF |
| | | 5 | 1A | RF |
| | | 6 | 1C | RF |
| 114T3100-24 | | 1 | 5F | RF |
| 114T3100-24 | | 5 | 5A | RF |
| | | 6 | 5C | RF |

57-43-37

ILLUSTRATED PARTS LIST
 01.1 Page 1060G
 Jul 01/03

| PART NUMBER | AIRLINE PART NO. | FIG. | ITEM | TTL REQ |
|-------------|---------------------|------|------|------------|
| 114T3100-25 | | 1 | 1G | RF |
| | | 2 | 1E | RF |
| 114T3100-26 | | 1 | 5G | RF |
| | | 2 | 5E | RF |
| 114T3100-27 | | 1 | 1H | RF |
| | | 7 | 1 | RF |
| | | 8 | 1 | RF |
| 114T3100-28 | | 1 | 5H | RF |
| | | 7 | 5 | RF |
| | | 8 | 5 | RF |
| 114T3100-31 | | 1 | 1K | RF |
| | | 5 | 1B | RF |
| | | 6 | 1D | RF |
| 114T3100-32 | | 1 | 5K | RF |
| | | 5 | 5B | RF |
| | | 6 | 5D | RF |
| 114T3100-33 | | 1 | 1L | RF |
| | | 2 | 1F | RF |
| 114T3100-34 | | 1 | 5L | RF |
| | | 2 | 5F | RF |
| 114T3100-35 | | 1 | 1M | RF |
| | | 7 | 1B | RF |
| | | 8 | 1B | RF |
| 114T3100-36 | | 1 | 5M | RF |
| | | 7 | 5B | RF |
| | | 8 | 5B | RF |
| 114T3100-37 | | 1 | 1P | RF |
| | | 7 | 1C | RF |
| | | 8 | 1C | RF |
| 114T3100-38 | | 1 | 5P | RF |
| | | 7 | 5C | RF |
| | | 8 | 5C | RF |
| 114T3100-39 | | 1 | 1Q | RF |
| | | 5 | 1C | RF |
| | | 6 | 1E | RF |

57-43-37

 ILLUSTRATED PARTS LIST
 01.1 Page 1060H
 Jul 01/03

| PART NUMBER | AIRLINE PART NO. | FIG. | ITEM | TTL REQ |
|---------------|---------------------|------|------|------------|
| 114T3100-40 | | 1 | 5Q | RF |
| | | 5 | 5C | RF |
| | | 6 | 5E | RF |
| 114T3100-401G | | 1 | 7T | RF |
| | | 7 | 2 | RF |
| | | 8 | 2 | RF |
| 114T3100-402G | | 1 | 8K | RF |
| | | 7 | 6 | RF |
| 114T3100-402G | | 8 | 6A | RF |
| | | 1 | 8L | RF |
| 114T3100-403G | | 7 | 2A | RF |
| | | 8 | 2A | RF |
| 114T3100-404G | | 1 | 8M | RF |
| | | 7 | 6A | RF |
| 114T3100-405G | | 8 | 6B | RF |
| | | 1 | 6R | RF |
| 114T3100-406G | | 7 | 1S | RF |
| | | 8 | 1S | RF |
| 114T3100-407G | | 1 | 6T | RF |
| | | 7 | 5S | RF |
| 114T3100-408G | | 8 | 5T | RF |
| | | 1 | 6U | RF |
| 114T3100-409G | | 7 | 1T | RF |
| | | 8 | 1T | RF |
| 114T3100-41 | | 1 | 6V | RF |
| | | 1 | 8R | RF |
| 114T3100-410G | | 7 | 5T | RF |
| | | 8 | 5U | RF |
| 114T3100-411G | | 1 | 7B | RF |
| | | 7 | 1U | RF |
| 114T3100-412G | | 8 | 1U | RF |
| | | 1 | 1R | RF |
| 114T3100-410G | | 5 | 1D | RF |
| | | 6 | 1F | RF |
| 114T3100-410G | | 1 | 7C | RF |
| | | 7 | 5U | RF |
| 114T3100-411G | | 8 | 5V | RF |
| | | 1 | 7D | RF |
| 114T3100-412G | | 7 | 1V | RF |
| | | 8 | 1V | RF |
| 114T3100-412G | | 1 | 7E | RF |
| | | 7 | 5V | RF |
| | | 8 | 5W | RF |

57-43-37

| PART NUMBER | AIRLINE PART NO. | FIG. | ITEM | TTL REQ |
|---------------|---------------------|------|------|------------|
| 114T3100-413G | | 1 | 8N | RF |
| | | 7 | 2B | RF |
| | | 8 | 2B | RF |
| 114T3100-414G | | 1 | 8P | RF |
| | | 7 | 6B | RF |
| | | 8 | 6C | RF |
| 114T3100-415G | | 1 | 8Q | RF |
| | | 7 | 2C | RF |
| | | 8 | 2C | RF |
| 114T3100-416G | | 7 | 6C | RF |
| | | 8 | 6D | RF |
| | | 1 | 8S | RF |
| 114T3100-417G | | 7 | 2D | RF |
| | | 8 | 2D | RF |
| | | 1 | 8T | RF |
| 114T3100-418G | | 7 | 6D | RF |
| | | 8 | 6E | RF |
| | | 1 | 5R | RF |
| 114T3100-42 | | 5 | 5D | RF |
| | | 6 | 5F | RF |
| | | 1 | 7P | RF |
| 114T3100-49G | | 7 | 1W | RF |
| | | 8 | 1W | RF |
| | | 1 | 8F | RF |
| 114T3100-50G | | 7 | 5W | RF |
| | | 8 | 5X | RF |
| | | 1 | 9B | 1 |
| 114T3100-5001 | | 2 | 7B | 1 |
| | | 1 | 9H | 1 |
| 114T3100-5002 | | 2 | 8 | 1 |
| | | 1 | 9C | 1 |
| 114T3100-5003 | | 2 | 7C | 1 |
| | | 1 | 9J | 1 |
| 114T3100-5004 | | 2 | 8A | 1 |
| | | 1 | 9D | 1 |
| 114T3100-5005 | | 2 | 7D | 1 |
| | | 1 | 9K | 1 |
| 114T3100-5006 | | 2 | 8B | 1 |
| | | 1 | 9E | 1 |
| 114T3100-5007 | | 2 | 7E | 1 |
| | | 1 | 9L | 1 |
| 114T3100-5008 | | 2 | 8C | 1 |
| | | 1 | 9F | 1 |
| 114T3100-5009 | | 2 | 7 | 1 |
| | | 1 | 9 | 1 |
| 114T3100-5010 | | 2 | 9 | 1 |

57-43-37

 ILLUSTRATED PARTS LIST
 01.1 Page 1060J
 Jul 01/03

015T0165
 015T1507
 114T3100
 DASH NUMBERS LIMITED

 **BOEING**
 COMPONENT
 MAINTENANCE MANUAL

| PART NUMBER | AIRLINE PART NO. | FIG. | ITEM | TTL REQ |
|---------------|---------------------|------|------|------------|
| 114T3100-5011 | | 1 | 9G | 1 |
| | | 2 | 7A | 1 |
| 114T3100-5012 | | 1 | 9A | 1 |
| | | 2 | 9A | 1 |
| 114T3100-51G | | 1 | 7Q | RF |
| | | 7 | 1X | RF |
| | | 8 | 1X | RF |
| 114T3100-52G | | 1 | 8G | RF |
| | | 7 | 5X | RF |
| 114T3100-52G | | 8 | 5Y | RF |
| 114T3100-53G | | 1 | 7R | RF |
| | | 7 | 1Y | RF |
| | | 8 | 1Y | RF |
| 114T3100-54G | | 1 | 8H | RF |
| | | 7 | 5Y | RF |
| | | 8 | 5Z | RF |
| 114T3100-55G | | 1 | 7S | RF |
| | | 7 | 1Z | RF |
| | | 8 | 1Z | RF |

57-43-37

ILLUSTRATED PARTS LIST
 01.1 Page 1060K
 Jul 01/03

| PART NUMBER | AIRLINE PART NO. | FIG. | ITEM | TTL REQ |
|--------------|---------------------|------|------|------------|
| 114T3100-56G | | 1 | 8J | RF |
| | | 7 | 5Z | RF |
| | | 8 | 6 | RF |
| 114T3101-1 | | 1 | 62 | 22 |
| | | 1 | 70 | 6 |
| | | 1 | 112 | 11 |
| | | 1 | 132 | 2 |
| | | 1 | 140 | 1 |
| | | 1 | 150 | 8 |
| | | 1 | 324 | 9 |
| | | 1 | 338 | 2 |
| | | 1 | 520 | 5 |
| | | 1 | 530 | 2 |
| | | 1 | 534 | 7 |
| | | 3 | 295 | 1 |
| | | 3 | 380 | 1 |
| | | 5 | 115 | 23 |
| | | 5 | 140 | 6 |
| | | 5 | 235 | 9 |
| | | 5 | 285 | 2 |
| | | 5 | 310 | 8 |
| | | 5 | 445 | 9 |
| | | 5 | 460 | 2 |
| | | 5 | 554 | 5 |
| | | 5 | 562 | 7 |
| | | 7 | 74 | 22 |
| | | 7 | 89 | 6 |
| | | 7 | 143 | 12 |
| | | 7 | 188 | 8 |
| | | 7 | 272 | 9 |
| | 7 | 278 | 2 | |
| | 7 | 383 | 5 | |

57-43-37

ILLUSTRATED PARTS LIST
 01.1 Page 1060L
 Jul 01/03

015T0165
 015T1507
 114T3100
 DASH NUMBERS LIMITED

 **BOEING**
 COMPONENT
 MAINTENANCE MANUAL

| PART NUMBER | AIRLINE PART NO. | FIG. | ITEM | TTL REQ |
|--------------|---------------------|------|------|------------|
| 114T3101-1 | | 7 | 395 | 7 |
| 114T3101-2 | | 1 | 63 | 1 |
| | | 1 | 78 | 6 |
| | | 1 | 152 | 10 |
| | | 1 | 340 | 11 |
| | | 1 | 536 | 12 |
| | | 3 | 60 | 2 |
| | | 3 | 62 | 1 |
| | | 3 | 615 | 4 |
| | | 5 | 120 | 1 |
| | | 5 | 160 | 6 |
| | | 5 | 315 | 10 |
| | | 5 | 465 | 11 |
| | | 5 | 564 | 12 |
| | | 7 | 77 | 1 |
| | | 7 | 101 | 6 |
| | | 7 | 191 | 10 |
| | | 7 | 281 | 11 |
| | | 7 | 398 | 13 |
| 114T3110-1 | | 1 | 32 | 1 |
| 114T3110-10 | | 1 | 38 | 1 |
| 114T3110-11 | | 1 | 34F | 1 |
| 114T3110-12 | | 1 | 38F | 1 |
| 114T3110-13 | | 5 | 45 | 1 |
| 114T3110-14 | | 5 | 50 | 1 |
| 114T3110-19 | | 7 | 38 | 1 |
| 114T3110-2 | | 1 | 36 | 1 |
| 114T3110-20 | | 7 | 41 | 1 |
| 114T3110-21 | | 5 | 45A | 1 |
| 114T3110-22 | | 5 | 50A | 1 |
| 114T3110-31 | | 1 | 32A | 1 |
| | | 7 | 38A | 1 |
| 114T3110-32 | | 1 | 36A | 1 |
| | | 7 | 41A | 1 |
| 114T3110-33 | | 5 | 45B | 1 |
| 114T3110-34 | | 5 | 50B | 1 |
| 114T3110-35 | | 1 | 34G | 1 |
| | | 7 | 38B | 1 |
| 114T3110-36 | | 1 | 38G | 1 |
| | | 7 | 41B | 1 |
| 114T3110-37 | | 5 | 45C | 1 |
| 114T3110-38 | | 5 | 50C | 1 |
| 114T3110-401 | | 7 | 38E | 1 |
| 114T3110-402 | | 7 | 41E | 1 |
| 114T3110-405 | | 7 | 38F | 1 |

57-43-37

ILLUSTRATED PARTS LIST
 01.1 Page 1060M
 Jul 01/03

| PART NUMBER | AIRLINE PART NO. | FIG. | ITEM | TTL REQ |
|--------------|---------------------|------|------|------------|
| 114T3110-406 | | 7 | 41F | 1 |
| 114T3110-53 | | 7 | 38C | 1 |
| 114T3110-54 | | 7 | 41C | 1 |
| 114T3110-55 | | 7 | 38D | 1 |
| 114T3110-56 | | 7 | 41D | 1 |
| 114T3110-9 | | 1 | 34 | 1 |
| 114T3130-1 | | 2 | 871 | 1 |
| | | 6 | 710 | 1 |
| | | 8 | 553 | 1 |
| 114T3130-2 | | 2 | 874 | 1 |
| | | 6 | 712 | 1 |
| | | 8 | 556 | 1 |
| 114T3131-1 | | 2 | 821 | 1 |
| | | 6 | 678 | 1 |
| | | 8 | 502 | 1 |
| 114T3131-2 | | 2 | 824 | 1 |
| | | 6 | 680 | 1 |
| | | 8 | 505 | 1 |
| 114T3132-1 | | 2 | 795 | 1 |
| | | 6 | 662 | 1 |
| | | 8 | 478 | 1 |
| 114T3132-2 | | 2 | 800 | 1 |
| | | 6 | 664 | 1 |
| | | 8 | 481 | 1 |
| 114T3133-1 | | 2 | 755 | 1 |
| | | 6 | 646 | 1 |
| | | 8 | 454 | 1 |
| 114T3133-2 | | 2 | 760 | 1 |
| | | 6 | 648 | 1 |
| | | 8 | 457 | 1 |
| 114T3134-1 | | 2 | 180 | 1 |
| | | 6 | 180 | 1 |
| | | 8 | 110 | 1 |
| 114T3134-2 | | 2 | 185 | 1 |
| | | 6 | 185 | 1 |
| | | 8 | 113 | 1 |

57-43-37

 ILLUSTRATED PARTS LIST
 01.1 Page 1060N
 Jul 01/03

015T0165
 015T1507
 114T3100
 DASH NUMBERS LIMITED

 **BOEING**
 COMPONENT
 MAINTENANCE MANUAL

| PART NUMBER | AIRLINE PART NO. | FIG. | ITEM | TTL REQ |
|-------------|---------------------|------|------|------------|
| 114T3134-3 | | 2 | 285 | 1 |
| | | 6 | 285 | 1 |
| | | 8 | 173 | 1 |
| 114T3134-4 | | 2 | 290 | 1 |
| | | 6 | 290 | 1 |
| | | 8 | 176 | 1 |
| 114T3135-1 | | 1 | 638 | 1 |
| 114T3135-2 | | 1 | 640 | 1 |
| 114T3135-3 | | 1 | 644A | 1 |
| 114T3135-4 | | 1 | 646A | 1 |
| 114T3136-1 | | 2 | 375 | 1 |
| | | 6 | 375 | 1 |
| | | 8 | 226 | 1 |
| 114T3136-2 | | 2 | 380 | 1 |
| | | 6 | 380 | 1 |
| | | 8 | 229 | 1 |
| 114T3136-3 | | 2 | 430 | 1 |
| | | 6 | 430 | 1 |
| | | 8 | 259 | 1 |
| 114T3136-4 | | 2 | 435 | 1 |
| | | 6 | 435 | 1 |
| | | 8 | 262 | 1 |
| 114T3137-1 | | 2 | 715 | 1 |
| | | 6 | 630 | 1 |
| | | 8 | 430 | 1 |
| 114T3137-2 | | 2 | 720 | 1 |
| | | 6 | 632 | 1 |
| | | 8 | 433 | 1 |
| 114T3138-1 | | 2 | 675 | 1 |
| | | 6 | 614 | 1 |
| | | 8 | 406 | 1 |

57-43-37

ILLUSTRATED PARTS LIST
 01.1 Page 10600
 Jul 01/03

| PART NUMBER | AIRLINE PART NO. | FIG. | ITEM | TTL REQ |
|--------------|---------------------|------|------|------------|
| 114T3138-2 | | 2 | 680 | 1 |
| | | 6 | 616 | 1 |
| | | 8 | 409 | 1 |
| 114T3139-1 | | 2 | 635 | 1 |
| | | 6 | 595 | 1 |
| | | 8 | 382 | 1 |
| 114T3139-2 | | 2 | 640 | 1 |
| | | 6 | 600 | 1 |
| | | 8 | 385 | 1 |
| 114T3140-1 | | 2 | 600 | 1 |
| | | 6 | 560 | 1 |
| | | 8 | 361 | 1 |
| 114T3140-2 | | 2 | 605 | 1 |
| | | 6 | 565 | 1 |
| | | 8 | 364 | 1 |
| 114T3141-1 | | 2 | 100 | 1 |
| | | 6 | 100 | 1 |
| | | 8 | 59 | 1 |
| 114T3141-2 | | 2 | 105 | 1 |
| | | 6 | 105 | 1 |
| | | 8 | 62 | 1 |
| 114T3141-2 | | 2 | 170 | 1 |
| | | 6 | 170 | 1 |
| | | 8 | 104 | 1 |
| 114T3141-3 | | 2 | 175 | 1 |
| | | 6 | 175 | 1 |
| | | 8 | 107 | 1 |
| 114T3141-4 | | 2 | 175 | 1 |
| | | 6 | 175 | 1 |
| | | 8 | 107 | 1 |
| 114T3141-401 | | 8 | 59A | 1 |
| 114T3141-402 | | 8 | 62A | 1 |
| 114T3141-403 | | 8 | 104A | 1 |
| 114T3141-404 | | 8 | 107A | 1 |
| 114T3142-1 | | 1 | 434 | 1 |
| 114T3142-2 | | 1 | 436 | 1 |
| 114T3142-3 | | 1 | 440 | 1 |

57-43-37

015T0165
 015T1507
 114T3100
 DASH NUMBERS LIMITED

 **BOEING**
 COMPONENT
 MAINTENANCE MANUAL

| PART NUMBER | AIRLINE PART NO. | FIG. | ITEM | TTL REQ |
|-------------|---------------------|------|------|------------|
| 114T3142-4 | | 1 | 442 | 1 |
| 114T3143-1 | | 2 | 560 | 1 |
| | | 6 | 520 | 1 |
| | | 8 | 337 | 1 |
| 114T3143-2 | | 2 | 565 | 1 |
| | | 6 | 525 | 1 |
| | | 8 | 340 | 1 |
| 114T3144-1 | | 2 | 520 | 1 |
| | | 6 | 480 | 1 |
| | | 8 | 313 | 1 |
| 114T3144-2 | | 2 | 525 | 1 |
| | | 6 | 485 | 1 |
| | | 8 | 316 | 1 |
| 114T3145-1 | | 2 | 480 | 1 |
| | | 6 | 440 | 1 |
| | | 8 | 289 | 1 |
| 114T3145-2 | | 2 | 485 | 1 |
| | | 6 | 445 | 1 |
| | | 8 | 292 | 1 |
| 114T3146-1 | | 2 | 295 | 1 |
| | | 6 | 295 | 1 |
| | | 8 | 179 | 1 |
| 114T3146-2 | | 2 | 300 | 1 |
| | | 6 | 300 | 1 |
| | | 8 | 182 | 1 |
| 114T3146-3 | | 2 | 365 | 1 |
| | | 6 | 365 | 1 |
| | | 8 | 220 | 1 |
| 114T3146-4 | | 2 | 370 | 1 |
| | | 6 | 370 | 1 |
| | | 8 | 223 | 1 |
| 114T3147-1 | | 1 | 238 | 1 |
| 114T3147-2 | | 1 | 240 | 1 |
| 114T3147-3 | | 1 | 244 | 1 |
| 114T3147-4 | | 1 | 246 | 1 |
| 114T3148-1 | | 2 | 10 | 1 |
| | | 6 | 10 | 1 |
| | | 8 | 8 | 1 |
| 114T3148-2 | | 2 | 15 | 1 |
| | | 6 | 15 | 1 |
| | | 8 | 11 | 1 |
| 114T3148-3 | | 2 | 90 | 1 |
| | | 6 | 90 | 1 |
| | | 8 | 53 | 1 |

57-43-37

ILLUSTRATED PARTS LIST
 01.1 Page 1060Q
 Jul 01/03

| PART NUMBER | AIRLINE PART NO. | FIG. | ITEM | TTL REQ |
|-------------|---------------------|------|------|------------|
| 114T3148-4 | | 2 | 95 | 1 |
| | | 6 | 95 | 1 |
| | | 8 | 56 | 1 |
| 114T3149-1 | | 2 | 440 | 1 |
| | | 8 | 265 | 1 |
| 114T3149-2 | | 2 | 445 | 1 |
| | | 8 | 268 | 1 |
| 114T3150-1 | | 2 | 845 | 1 |
| | | 8 | 526 | 1 |
| 114T3150-2 | | 2 | 847 | 1 |
| | | 8 | 529 | 1 |
| 114T3151-1 | | 2 | 255 | 1 |
| | | 6 | 255 | 1 |
| | | 8 | 155 | 1 |
| 114T3152-1 | | 2 | 230 | 1 |
| | | 6 | 230 | 1 |
| | | 8 | 140 | 1 |
| 114T3153-1 | | 2 | 245 | 1 |
| | | 6 | 245 | 1 |
| | | 8 | 149 | 1 |
| 114T3154-1 | | 2 | 235 | 1 |
| | | 6 | 235 | 1 |
| | | 8 | 143 | 1 |
| 114T3155-1 | | 2 | 240 | 1 |
| | | 6 | 240 | 1 |
| | | 8 | 146 | 1 |
| 114T3157-13 | | 1 | 584 | 1 |
| 114T3157-14 | | 1 | 586 | 1 |
| 114T3157-15 | | 1 | 392 | 1 |
| 114T3157-16 | | 1 | 394 | 1 |
| 114T3157-17 | | 1 | 192 | 1 |
| 114T3157-18 | | 1 | 194 | 1 |
| 114T3157-19 | | 1 | 584F | 1 |

57-43-37

ILLUSTRATED PARTS LIST
 01.1 Page 1060R
 Jul 01/03

| PART NUMBER | AIRLINE PART NO. | FIG. | ITEM | TTL REQ |
|-------------|---------------------|------|------|------------|
| 114T3157-20 | | 1 | 586F | 1 |
| 114T3157-21 | | 1 | 392F | 1 |
| 114T3157-22 | | 1 | 394F | 1 |
| 114T3157-23 | | 1 | 192F | 1 |
| 114T3157-24 | | 1 | 194F | 1 |
| 114T3161-1 | | 1 | 118 | 1 |
| | | 5 | 250 | 1 |
| | | 7 | 152 | 1 |
| 114T3161-10 | | 1 | 350 | 1 |
| 114T3161-11 | | 1 | 114 | 1 |
| | | 5 | 240A | 1 |
| | | 7 | 146 | 1 |
| 114T3161-12 | | 1 | 116 | 1 |
| | | 5 | 245A | 1 |
| | | 7 | 149 | 1 |
| 114T3161-13 | | 1 | 580 | 1 |
| 114T3161-14 | | 1 | 582 | 1 |
| 114T3161-15 | | 1 | 388 | 1 |
| 114T3161-16 | | 1 | 390 | 1 |
| 114T3161-17 | | 1 | 188 | 1 |
| 114T3161-18 | | 1 | 190 | 1 |
| 114T3161-19 | | 1 | 562 | 1 |
| 114T3161-2 | | 1 | 120 | 1 |
| | | 5 | 255 | 1 |
| | | 7 | 155 | 1 |
| 114T3161-20 | | 1 | 564 | 1 |
| 114T3161-21 | | 1 | 370 | 1 |
| 114T3161-22 | | 1 | 372 | 1 |
| 114T3161-23 | | 1 | 166 | 1 |
| 114T3161-24 | | 1 | 168 | 1 |
| 114T3161-25 | | 1 | 154 | 1 |
| 114T3161-26 | | 1 | 160 | 1 |

57-43-37

ILLUSTRATED PARTS LIST
 01.1 Page 1060S
 Jul 01/03

| PART NUMBER | AIRLINE PART NO. | FIG. | ITEM | TTL REQ |
|--------------|---------------------|------|------|------------|
| 114T3161-27 | | 1 | 156 | 1 |
| 114T3161-28 | | 1 | 162 | 1 |
| 114T3161-29 | | 1 | 556 | 1 |
| | | 5 | 582 | 1 |
| | | 7 | 425 | 1 |
| 114T3161-3 | | 1 | 554 | 1 |
| 114T3161-30 | | 1 | 560 | 1 |
| | | 5 | 584 | 1 |
| | | 7 | 428 | 1 |
| 114T3161-31 | | 1 | 548 | 1 |
| | | 5 | 578 | 1 |
| | | 7 | 419 | 1 |
| 114T3161-32 | | 1 | 552 | 1 |
| | | 5 | 580 | 1 |
| | | 7 | 422 | 1 |
| 114T3161-33 | | 1 | 356 | 1 |
| | | 5 | 490 | 1 |
| | | 7 | 296 | 1 |
| 114T3161-34 | | 1 | 360 | 1 |
| | | 5 | 495 | 1 |
| | | 7 | 299 | 1 |
| 114T3161-35 | | 1 | 348 | 1 |
| | | 5 | 480 | 1 |
| | | 7 | 290 | 1 |
| 114T3161-36 | | 1 | 352 | 1 |
| | | 5 | 485 | 1 |
| | | 7 | 293 | 1 |
| 114T3161-37 | | 1 | 158 | 1 |
| | | 5 | 320 | 1 |
| | | 7 | 194 | 1 |
| 114T3161-38 | | 1 | 164 | 1 |
| | | 5 | 325 | 1 |
| | | 7 | 197 | 1 |
| 114T3161-39 | | 5 | 240 | 1 |
| | | 7 | 146A | 1 |
| 114T3161-4 | | 1 | 558 | 1 |
| 114T3161-40 | | 5 | 245 | 1 |
| | | 7 | 149A | 1 |
| 114T3161-401 | | 7 | 290A | 1 |
| 114T3161-402 | | 7 | 293A | 1 |

57-43-37

 ILLUSTRATED PARTS LIST
 01.1 Page 1060T
 Jul 01/03

| PART NUMBER | AIRLINE PART NO. | FIG. | ITEM | TTL REQ |
|--------------|---------------------|------|------|------------|
| 114T3161-5 | | 1 | 546 | 1 |
| 114T3161-6 | | 1 | 550 | 1 |
| 114T3161-7 | | 1 | 354 | 1 |
| 114T3161-8 | | 1 | 358 | 1 |
| 114T3161-9 | | 1 | 346 | 1 |
| 114T3162-10 | | 1 | 805 | 1 |
| | | 5 | 700 | 1 |
| 114T3162-10 | | 7 | 565 | 1 |
| 114T3162-11 | | 5 | 665 | 1 |
| 114T3162-12 | | 5 | 670 | 1 |
| 114T3162-13 | | 7 | 530A | 1 |
| 114T3162-14 | | 7 | 535A | 1 |
| 114T3162-401 | | 7 | 530B | 1 |
| 114T3162-402 | | 7 | 535B | 1 |
| 114T3162-403 | | 7 | 530C | 1 |
| 114T3162-404 | | 7 | 535C | 1 |
| 114T3162-405 | | 7 | 530D | 1 |
| 114T3162-406 | | 7 | 535D | 1 |
| 114T3162-407 | | 7 | 530E | 1 |
| 114T3162-408 | | 7 | 535E | 1 |
| 114T3162-409 | | 7 | 530F | 1 |
| 114T3162-410 | | 7 | 535F | 1 |
| 114T3162-411 | | 7 | 530G | 1 |
| 114T3162-412 | | 7 | 535G | 1 |
| 114T3162-5 | | 1 | 770 | 1 |
| | | 7 | 530 | 1 |
| 114T3162-6 | | 1 | 775 | 1 |
| | | 7 | 535 | 1 |
| 114T3162-7 | | 1 | 770A | 1 |
| 114T3162-8 | | 1 | 775A | 1 |
| 114T3162-9 | | 1 | 800 | 1 |
| | | 5 | 695 | 1 |
| | | 7 | 560 | 1 |
| 114T3165-1 | | 1 | 840 | 1 |
| | | 5 | 735 | 1 |
| | | 7 | 600 | 1 |
| 114T3165-10 | | 1 | 815 | 1 |
| | | 7 | 575 | 1 |
| 114T3165-11 | | 5 | 705 | 1 |
| | | 7 | 570A | 1 |
| 114T3165-12 | | 5 | 710 | 1 |
| | | 7 | 575A | 1 |
| 114T3165-13 | | 7 | 600A | 1 |

57-43-37

| PART NUMBER | AIRLINE PART NO. | FIG. | ITEM | TTL REQ |
|-------------|---------------------|------|------|------------|
| 114T3165-14 | | 7 | 605A | 1 |
| 114T3165-15 | | 7 | 590A | 1 |
| 114T3165-16 | | 7 | 595A | 1 |
| 114T3165-17 | | 7 | 580A | 1 |
| 114T3165-18 | | 7 | 585A | 1 |
| 114T3165-19 | | 7 | 570C | 1 |
| 114T3165-2 | | 1 | 845 | 1 |
| | | 5 | 740 | 1 |
| | | 7 | 605 | 1 |
| 114T3165-20 | | 7 | 575C | 1 |
| 114T3165-21 | | 7 | 570B | 1 |
| 114T3165-22 | | 7 | 575B | 1 |
| 114T3165-3 | | 1 | 830 | 1 |
| | | 5 | 725 | 1 |
| | | 7 | 590 | 1 |
| 114T3165-4 | | 1 | 835 | 1 |
| | | 5 | 730 | 1 |
| | | 7 | 595 | 1 |
| 114T3165-7 | | 1 | 820 | 1 |
| | | 5 | 715 | 1 |
| | | 7 | 580 | 1 |
| 114T3165-8 | | 1 | 825 | 1 |
| | | 5 | 720 | 1 |
| | | 7 | 585 | 1 |
| 114T3165-9 | | 1 | 810 | 1 |
| | | 7 | 570 | 1 |
| 114T3168-5 | | 1 | 344 | 6 |
| | | 1 | 544 | 5 |
| | | 5 | 475 | 6 |
| | | 5 | 572 | 5 |
| | | 7 | 287 | 6 |
| | | 7 | 410 | 5 |

57-43-37

 ILLUSTRATED PARTS LIST
 01.1 Page 1060V
 Jul 01/03

015T0165
 015T1507
 114T3100
 DASH NUMBERS LIMITED

 **BOEING**
 COMPONENT
 MAINTENANCE MANUAL

| PART NUMBER | AIRLINE PART NO. | FIG. | ITEM | TTL REQ |
|--------------|---------------------|------|------|------------|
| 114T3170-10 | | 1 | 722A | 1 |
| 114T3170-11 | | 1 | 678A | 1 |
| 114T3170-12 | | 1 | 680A | 1 |
| 114T3170-13 | | 1 | 678B | 1 |
| | | 5 | 586 | 1 |
| 114T3170-14 | | 1 | 680B | 1 |
| | | 5 | 588 | 1 |
| 114T3170-15 | | 1 | 720B | 1 |
| | | 5 | 628 | 1 |
| 114T3170-16 | | 1 | 722B | 1 |
| | | 5 | 630 | 1 |
| 114T3170-21 | | 1 | 678D | 1 |
| 114T3170-22 | | 1 | 680D | 1 |
| 114T3170-23 | | 1 | 720D | 1 |
| 114T3170-24 | | 1 | 722D | 1 |
| 114T3170-25 | | 1 | 678C | 1 |
| | | 5 | 586A | 1 |
| | | 7 | 431 | 1 |
| 114T3170-26 | | 1 | 680C | 1 |
| 114T3170-26 | | 5 | 588A | 1 |
| | | 7 | 434 | 1 |
| 114T3170-27 | | 1 | 720C | 1 |
| | | 5 | 628A | 1 |
| | | 7 | 494 | 1 |
| 114T3170-28 | | 1 | 722C | 1 |
| | | 5 | 630A | 1 |
| | | 7 | 497 | 1 |
| 114T3170-29 | | 1 | 678E | 1 |
| 114T3170-30 | | 1 | 680E | 1 |
| 114T3170-31 | | 1 | 720E | 1 |
| 114T3170-32 | | 1 | 722E | 1 |
| 114T3170-401 | | 7 | 431A | 1 |
| 114T3170-402 | | 7 | 434A | 1 |
| 114T3170-403 | | 7 | 494A | 1 |

57-43-37

ILLUSTRATED PARTS LIST
 01.1 Page 1060W
 Jul 01/03

| PART NUMBER | AIRLINE PART NO. | FIG. | ITEM | TTL REQ |
|--------------|---------------------|------|------|------------|
| 114T3170-404 | | 7 | 497A | 1 |
| 114T3170-405 | | 7 | 431B | 1 |
| 114T3170-406 | | 7 | 434B | 1 |
| 114T3170-9 | | 1 | 720A | 1 |
| 114T3171-10 | | 1 | 476A | 1 |
| 114T3171-11 | | 1 | 474B | 1 |
| | | 5 | 508 | 1 |
| 114T3171-12 | | 1 | 476B | 1 |
| | | 5 | 510 | 1 |
| 114T3171-13 | | 1 | 510A | 1 |
| | | 5 | 544 | 1 |
| 114T3171-14 | | 1 | 512A | 1 |
| | | 5 | 546 | 1 |
| 114T3171-19 | | 1 | 474D | 1 |
| 114T3171-20 | | 1 | 476D | 1 |
| 114T3171-21 | | 1 | 510C | 1 |
| 114T3171-22 | | 1 | 512C | 1 |
| 114T3171-23 | | 1 | 474C | 1 |
| | | 5 | 508A | 1 |
| | | 7 | 314 | 1 |
| 114T3171-24 | | 1 | 476C | 1 |
| | | 5 | 510A | 1 |
| | | 7 | 317 | 1 |
| 114T3171-25 | | 1 | 510B | 1 |
| | | 5 | 544A | 1 |
| | | 7 | 368 | 1 |
| 114T3171-26 | | 1 | 512B | 1 |
| 114T3171-26 | | 5 | 546A | 1 |
| | | 7 | 371 | 1 |
| 114T3171-27 | | 1 | 474E | 1 |
| 114T3171-28 | | 1 | 476E | 1 |
| 114T3171-29 | | 1 | 510D | 1 |
| 114T3171-30 | | 1 | 512D | 1 |
| 114T3171-401 | | 7 | 314A | 1 |
| 114T3171-402 | | 7 | 317A | 1 |
| 114T3171-403 | | 7 | 368A | 1 |
| 114T3171-404 | | 7 | 371A | 1 |
| 114T3171-7 | | 1 | 510 | 1 |
| 114T3171-8 | | 1 | 512 | 1 |

57-43-37

 ILLUSTRATED PARTS LIST
 01.1 Page 1060X
 Jul 01/03

015T0165
 015T1507
 114T3100
 DASH NUMBERS LIMITED

 **BOEING**
 COMPONENT
 MAINTENANCE MANUAL

| PART NUMBER | AIRLINE PART NO. | FIG. | ITEM | TTL REQ |
|-------------|---------------------|------|------|------------|
| 114T3171-9 | | 1 | 474A | 1 |
| 114T3172-10 | | 1 | 316 | 1 |
| 114T3172-11 | | 1 | 278A | 1 |
| 114T3172-12 | | 1 | 279A | 1 |
| 114T3172-13 | | 1 | 278B | 1 |
| | | 5 | 330 | 1 |
| | | 7 | 200 | 1 |
| 114T3172-14 | | 1 | 279B | 1 |
| | | 5 | 335 | 1 |
| | | 7 | 203 | 1 |
| 114T3172-15 | | 1 | 314A | 1 |
| | | 5 | 425 | 1 |
| | | 7 | 257 | 1 |
| 114T3172-16 | | 1 | 316A | 1 |
| | | 5 | 430 | 1 |
| | | 7 | 260 | 1 |
| 114T3172-21 | | 1 | 278C | 1 |
| 114T3172-22 | | 1 | 279C | 1 |
| 114T3172-23 | | 1 | 314B | 1 |
| 114T3172-24 | | 1 | 316B | 1 |
| 114T3172-9 | | 1 | 314 | 1 |
| 114T3178-1 | | 1 | 638F | 1 |
| 114T3178-2 | | 1 | 640F | 1 |
| 114T3178-3 | | 1 | 644G | 1 |
| 114T3178-4 | | 1 | 646G | 1 |
| 114T3179-1 | | 1 | 434F | 1 |
| 114T3179-2 | | 1 | 436F | 1 |
| 114T3179-3 | | 1 | 440F | 1 |
| 114T3179-4 | | 1 | 442F | 1 |
| 114T3180-1 | | 1 | 238F | 1 |
| 114T3180-2 | | 1 | 240F | 1 |
| 114T3180-3 | | 1 | 244F | 1 |
| 114T3180-4 | | 1 | 246F | 1 |
| 114T3186-1 | | 6 | 694 | 1 |
| 114T3186-2 | | 6 | 696 | 1 |
| 114T3187-1 | | 3 | 48 | 1 |
| 114T3187-2 | | 3 | 49 | 1 |
| 114T3200-1 | | 1 | 10 | 1 |
| | | 3 | 1 | RF |
| 114T3200-10 | | 3 | 5D | RF |
| | | 7 | 11A | 1 |
| 114T3200-11 | | 3 | 1E | RF |
| | | 7 | 8B | 1 |
| 114T3200-12 | | 3 | 5E | RF |
| | | 7 | 11B | 1 |

57-43-37

ILLUSTRATED PARTS LIST
 01.1 Page 1060Y
 Jul 01/03

| PART NUMBER | AIRLINE PART NO. | FIG. | ITEM | TTL REQ |
|-------------|---------------------|------|------|------------|
| 114T3200-13 | | 3 | 1F | RF |
| | | 7 | 8C | 1 |
| 114T3200-14 | | 3 | 5F | RF |
| | | 7 | 11C | 1 |
| 114T3200-15 | | 3 | 1G | RF |
| | | 7 | 8D | 1 |
| 114T3200-16 | | 3 | 5G | RF |
| | | 7 | 11D | 1 |
| 114T3200-17 | | 3 | 1H | RF |
| | | 7 | 8E | 1 |
| 114T3200-18 | | 3 | 5H | RF |
| | | 7 | 11E | 1 |
| 114T3200-2 | | 1 | 12 | 1 |
| | | 3 | 5 | RF |
| 114T3200-5 | | 1 | 10A | 1 |
| | | 3 | 1A | RF |
| | | 7 | 8 | 1 |
| 114T3200-6 | | 1 | 12A | 1 |
| | | 3 | 5A | RF |
| | | 7 | 11 | 1 |
| 114T3200-7 | | 3 | 1C | RF |
| | | 5 | 10 | 1 |
| 114T3200-8 | | 3 | 5C | RF |
| | | 5 | 15 | 1 |
| 114T3200-9 | | 3 | 1D | RF |
| | | 7 | 8A | 1 |
| 114T3201-1 | | 3 | 355 | 1 |
| 114T3201-10 | | 3 | 345 | 1 |
| 114T3201-11 | | 3 | 250 | 1 |
| 114T3201-12 | | 3 | 260 | 1 |
| 114T3201-13 | | 3 | 400 | 1 |
| 114T3201-14 | | 3 | 405 | 1 |

57-43-37

ILLUSTRATED PARTS LIST
 01.1 Page 1060Z
 Jul 01/03

| PART NUMBER | AIRLINE PART NO. | FIG. | ITEM | TTL REQ |
|-------------|---------------------|------|------|------------|
| 114T3201-15 | | 3 | 200 | 1 |
| 114T3201-16 | | 3 | 205 | 1 |
| 114T3201-17 | | 3 | 210 | 1 |
| 114T3201-18 | | 3 | 215 | 1 |
| 114T3201-19 | | 3 | 220 | 1 |
| 114T3201-2 | | 3 | 365 | 1 |
| 114T3201-20 | | 3 | 225 | 1 |
| 114T3201-21 | | 3 | 230 | 1 |
| 114T3201-22 | | 3 | 235 | 1 |
| 114T3201-23 | | 3 | 360 | 1 |
| 114T3201-24 | | 3 | 370 | 1 |
| 114T3201-25 | | 3 | 275 | 1 |
| 114T3201-26 | | 3 | 285 | 1 |
| 114T3201-27 | | 3 | 170 | 1 |
| 114T3201-28 | | 3 | 180 | 1 |
| 114T3201-29 | | 3 | 445 | 1 |
| 114T3201-3 | | 3 | 270 | 1 |
| 114T3201-30 | | 3 | 455 | 1 |
| 114T3201-31 | | 3 | 340 | 1 |
| 114T3201-32 | | 3 | 350 | 1 |
| 114T3201-33 | | 3 | 255 | 1 |
| 114T3201-34 | | 3 | 265 | 1 |
| 114T3201-35 | | 3 | 172 | 1 |
| 114T3201-36 | | 3 | 182 | 1 |
| 114T3201-37 | | 3 | 212 | 1 |
| 114T3201-38 | | 3 | 217 | 1 |
| 114T3201-39 | | 3 | 257 | 1 |
| 114T3201-4 | | 3 | 280 | 1 |
| 114T3201-40 | | 3 | 267 | 1 |
| 114T3201-41 | | 3 | 202 | 1 |
| 114T3201-42 | | 3 | 207 | 1 |
| 114T3201-43 | | 3 | 170A | 1 |
| 114T3201-44 | | 3 | 180A | 1 |
| 114T3201-5 | | 3 | 165 | 1 |
| 114T3201-6 | | 3 | 175 | 1 |

57-43-37

| PART NUMBER | AIRLINE PART NO. | FIG. | ITEM | TTL REQ |
|-------------|---------------------|------|------|------------|
| 114T3201-7 | | 3 | 440 | 1 |
| 114T3201-8 | | 3 | 450 | 1 |
| 114T3201-9 | | 3 | 335 | 1 |
| 114T3202-1 | | 3 | 155 | 1 |
| | | 3 | 157 | 1 |
| 114T3202-2 | | 3 | 160 | 1 |
| | | 3 | 162 | 1 |
| 114T3202-21 | | 3 | 156 | 1 |
| 114T3202-22 | | 3 | 161 | 1 |
| 114T3202-23 | | 3 | 141 | 1 |
| 114T3202-24 | | 3 | 146 | 1 |
| 114T3202-25 | | 3 | 151 | 1 |
| 114T3202-27 | | 3 | 143 | 1 |
| 114T3202-28 | | 3 | 148 | 1 |
| 114T3202-29 | | 3 | 158 | 1 |
| | | 3 | 163 | 1 |
| 114T3202-3 | | 3 | 140 | 1 |
| | | 3 | 141E | 1 |
| 114T3202-30 | | 3 | 141K | 1 |
| | | 3 | 146K | 1 |
| 114T3202-31 | | 3 | 153 | 1 |
| 114T3202-32 | | 3 | 144E | 1 |
| | | 3 | 149E | 1 |
| 114T3202-4 | | 3 | 145 | 1 |
| | | 3 | 146E | 1 |
| 114T3202-5 | | 3 | 150 | 1 |
| | | 3 | 152 | 1 |
| 114T3202-7 | | 3 | 142 | 1 |
| | | 3 | 144 | 1 |
| 114T3202-8 | | 3 | 147 | 1 |
| | | 3 | 149 | 1 |
| 114T3203-1 | | 3 | 135 | 1 |
| 114T3203-10 | | 3 | 90 | 1 |
| 114T3203-11 | | 3 | 85 | 1 |
| 114T3203-12 | | 3 | 80 | 1 |
| 114T3203-2 | | 3 | 130 | 1 |
| 114T3203-3 | | 3 | 125 | 1 |

57-43-37

 ILLUSTRATED PARTS LIST
 01.1 Page 1062
 Jul 01/03

| PART NUMBER | AIRLINE PART NO. | FIG. | ITEM | TTL REQ |
|-------------|---------------------|------|------|------------|
| 114T3203-4 | | 3 | 120 | 1 |
| 114T3203-5 | | 3 | 115 | 1 |
| 114T3203-6 | | 3 | 110 | 1 |
| 114T3203-7 | | 3 | 105 | 1 |
| 114T3203-8 | | 3 | 100 | 1 |
| 114T3203-9 | | 3 | 95 | 1 |
| 114T3204-1 | | 3 | 465 | 1 |
| 114T3205-1 | | 3 | 675 | 1 |
| 114T3205-2 | | 3 | 680 | 1 |
| 114T3205-3 | | 3 | 420 | 5 |
| 114T3205-4 | | 3 | 330 | 8 |
| | | 3 | 425 | 5 |
| 114T3206-1 | | 3 | 470 | 1 |
| 114T3206-17 | | 3 | 575 | 1 |
| 114T3206-18 | | 3 | 580 | 1 |
| 114T3206-19 | | 3 | 470A | 1 |
| 114T3206-2 | | 3 | 475 | 1 |
| 114T3206-20 | | 3 | 475A | 1 |
| 114T3206-21 | | 3 | 495A | 1 |
| 114T3206-22 | | 3 | 500A | 1 |
| 114T3206-3 | | 3 | 495 | 1 |
| 114T3206-4 | | 3 | 500 | 1 |
| 114T3207-13 | | 3 | 650 | 1 |
| 114T3207-14 | | 3 | 655 | 1 |
| 114T3208-1 | | 3 | 645 | 1 |
| 114T3209-1 | | 3 | 685 | 1 |
| 114T3209-2 | | 3 | 50 | 1 |
| 114T3210-1 | | 3 | 520 | 1 |
| 114T3210-10 | | 3 | 625 | 1 |
| 114T3210-11 | | 3 | 630 | 1 |
| 114T3210-2 | | 3 | 525 | 1 |
| 114T3210-3 | | 3 | 585 | 1 |
| 114T3210-4 | | 3 | 590 | 1 |
| 114T3210-5 | | 3 | 600 | 1 |
| 114T3210-6 | | 3 | 605 | 1 |
| 114T3210-7 | | 3 | 595 | 1 |
| 114T3210-9 | | 3 | 620 | 1 |
| 114T3211-1 | | 3 | 530 | 1 |
| 114T3211-2 | | 3 | 535 | 1 |
| 114T3211-3 | | 3 | 555 | 1 |
| 114T3211-4 | | 3 | 560 | 1 |
| 114T3211-5 | | 3 | 515 | 1 |
| 114T3212-1 | | 3 | 35 | 1 |
| 114T3212-2 | | 3 | 40 | 1 |
| 114T3212-3 | | 3 | 45 | 1 |

57-43-37

| PART NUMBER | AIRLINE PART NO. | FIG. | ITEM | TTL REQ |
|-------------|---------------------|------|------|------------|
| 114T3212-4 | | 3 | 46 | 2 |
| 114T3212-5 | | 3 | 46J | 1 |
| 114T3212-6 | | 3 | 46N | 1 |
| 114T3212-7 | | 3 | 15 | 3 |
| 114T3213-1 | | 3 | 47 | 1 |
| 114T3213-2 | | 3 | 47A | 1 |
| 114T3214-1 | | 3 | 25 | 3 |
| 114T3300-10 | | 2 | 972 | 1 |
| 114T3300-9 | | 2 | 970 | 1 |
| 114T3301-3 | | 2 | 934 | 1 |
| 114T3302-1 | | 2 | 914 | 1 |
| 114T3400-29 | | 1 | 648 | 1 |
| 114T3400-30 | | 1 | 650 | 1 |
| 114T3400-31 | | 1 | 652 | 1 |
| 114T3400-32 | | 1 | 654 | 1 |
| 114T3400-33 | | 1 | 444 | 1 |
| 114T3400-34 | | 1 | 446 | 1 |
| 114T3400-35 | | 1 | 448 | 1 |
| 114T3400-36 | | 1 | 450 | 1 |
| 114T3400-37 | | 1 | 248 | 1 |
| 114T3400-38 | | 1 | 250 | 1 |
| 114T3400-39 | | 1 | 252 | 1 |
| 114T3400-40 | | 1 | 254 | 1 |
| 114T3400-41 | | 1 | 670 | 1 |
| 114T3400-42 | | 1 | 672 | 1 |
| 114T3400-43 | | 1 | 674 | 1 |
| 114T3400-44 | | 1 | 676 | 1 |
| 114T3400-45 | | 1 | 466 | 1 |
| 114T3400-46 | | 1 | 468 | 1 |
| 114T3400-47 | | 1 | 470 | 1 |
| 114T3400-48 | | 1 | 472 | 1 |
| 114T3400-49 | | 1 | 270 | 1 |
| 114T3400-50 | | 1 | 272 | 1 |
| 114T3400-51 | | 1 | 274 | 1 |
| 114T3400-52 | | 1 | 276 | 1 |

57-43-37

 ILLUSTRATED PARTS LIST
 01.1 Page 1062B
 Jul 01/03

015T0165
 015T1507
 114T3100
 DASH NUMBERS LIMITED

 **BOEING**
 COMPONENT
 MAINTENANCE MANUAL

| PART NUMBER | AIRLINE PART NO. | FIG. | ITEM | TTL REQ | |
|-------------|---------------------|------|------|------------|---|
| 114T4233-32 | | 3 | 80A | 1 | |
| | | 3 | 82A | 1 | |
| | | 3 | 85A | 1 | |
| | | 3 | 90A | 1 | |
| | | 3 | 95A | 1 | |
| | | 3 | 100A | 1 | |
| | | 3 | 105A | 1 | |
| | | 3 | 110A | 1 | |
| | | 3 | 115A | 1 | |
| | | 3 | 120A | 1 | |
| | | 3 | 125A | 1 | |
| | | 3 | 130A | 1 | |
| | | 3 | 135A | 1 | |
| | 52LH6073-02 | | 1 | 202 | 4 |
| | | | 1 | 286 | 4 |
| | | 1 | 404 | 2 | |
| | | 1 | 484 | 2 | |
| | | 1 | 594 | 2 | |
| | | 1 | 688 | 2 | |
| | | 2 | 35 | 4 | |
| | | 2 | 125 | 4 | |
| | | 2 | 205 | 6 | |
| | | 2 | 320 | 4 | |
| | | 5 | 355 | 4 | |
| | | 5 | 518 | 2 | |
| | | 5 | 596 | 2 | |
| 52LH6073-02 | | | 6 | 35 | 4 |
| | | | 6 | 125 | 4 |
| | | 6 | 205 | 6 | |
| | | 6 | 320 | 4 | |
| | | 7 | 215 | 4 | |
| | | 7 | 329 | 2 | |
| | | 7 | 446 | 2 | |
| | | 8 | 23 | 4 | |
| | | 8 | 74 | 4 | |
| | | 8 | 125 | 6 | |
| | 8 | 194 | 4 | | |

57-43-37

ILLUSTRATED PARTS LIST
 01.1 Page 1062C
 Jul 01/03

| PART NUMBER | AIRLINE PART NO. | FIG. | ITEM | TTL REQ |
|-------------|---------------------|------|------|------------|
| 53488-1032 | | 1 | 202 | 4 |
| | | 1 | 286 | 4 |
| | | 1 | 404 | 2 |
| | | 1 | 484 | 2 |
| | | 1 | 594 | 2 |
| | | 1 | 688 | 2 |
| | | 2 | 35 | 4 |
| | | 2 | 125 | 4 |
| | | 2 | 205 | 6 |
| | | 2 | 320 | 4 |
| | | 5 | 355 | 4 |
| | | 5 | 518 | 2 |
| | | 5 | 596 | 2 |
| | | 6 | 35 | 4 |
| | | 6 | 125 | 4 |
| | | 6 | 205 | 6 |
| | | 6 | 320 | 4 |
| | | 7 | 215 | 4 |
| | | 7 | 329 | 2 |
| | | 7 | 446 | 2 |
| | 53488W1032 | | 8 | 23 |
| | | 8 | 74 | 4 |
| | | 8 | 125 | 6 |
| | | 8 | 194 | 4 |
| | | 1 | 200 | 4 |
| | | 1 | 284 | 4 |
| | | 1 | 402 | 2 |
| | | 1 | 482 | 2 |
| | | 1 | 592 | 2 |
| | | 1 | 686 | 2 |
| | 2 | 30 | 4 | |

57-43-37

ILLUSTRATED PARTS LIST
 01.1 Page 1062D
 Jul 01/03

015T0165
 015T1507
 114T3100
 DASH NUMBERS LIMITED

 **BOEING**
 COMPONENT
 MAINTENANCE MANUAL

| PART NUMBER | AIRLINE PART NO. | FIG. | ITEM | TTL REQ | |
|-------------|---------------------|------|------|------------|---|
| 53488W1032 | | 2 | 120A | 4 | |
| | | 2 | 200 | 6 | |
| | | 2 | 315 | 4 | |
| | | 5 | 350 | 4 | |
| | | 5 | 516 | 2 | |
| | | 5 | 594 | 2 | |
| | | 6 | 30 | 4 | |
| | | 6 | 120 | 4 | |
| | | 6 | 200 | 6 | |
| | | 6 | 315 | 4 | |
| | | 7 | 212 | 4 | |
| | | 7 | 326 | 2 | |
| | | 7 | 443 | 2 | |
| | | 8 | 20 | 4 | |
| | | 8 | 71 | 4 | |
| | | 8 | 122 | 6 | |
| | | 8 | 191 | 4 | |
| | 6073-0 | | 1 | 200 | 4 |
| | | | 1 | 284 | 4 |
| | | | 1 | 402 | 2 |
| | | 1 | 482 | 2 | |
| | | 1 | 592 | 2 | |
| | | 1 | 686 | 2 | |
| | | 2 | 30 | 4 | |
| | | 2 | 120A | 4 | |
| | | 2 | 200 | 6 | |
| | | 2 | 315 | 4 | |
| | | 5 | 350 | 4 | |
| | | 5 | 516 | 2 | |
| | | 5 | 594 | 2 | |
| | | 6 | 30 | 4 | |
| | | 6 | 120 | 4 | |
| | | 6 | 200 | 6 | |
| | | 6 | 315 | 4 | |
| | | 7 | 212 | 4 | |
| | | 7 | 326 | 2 | |
| | | 7 | 443 | 2 | |
| | 8 | 20 | 4 | | |
| | 8 | 71 | 4 | | |
| | 8 | 122 | 6 | | |
| | 8 | 191 | 4 | | |

57-43-37

ILLUSTRATED PARTS LIST
 01.1 Page 1062E
 Jul 01/03

| PART NUMBER | AIRLINE PART NO. | FIG. | ITEM | TTL REQ |
|-------------|---------------------|---------|------|------------|
| 66014-5 | | 1 | 44 | 65 |
| | | 1 | 606 | 10 |
| 66014-5 | | 1 | 760 | 90 |
| | | 1 | 765 | 10 |
| | | 1 | 795 | 124 |
| | | 5 | 70 | 62 |
| | | 5 | 660 | 90 |
| | | 5 | 690 | 124 |
| | | 7 | 53 | 65 |
| | | 7 | 525 | 90 |
| | | 7 | 555 | 124 |
| | | 66014-6 | | 1 |
| 1 | 74 | | | 6 |
| 1 | 172 | | | 10 |
| 1 | 176 | | | 10 |
| 1 | 206 | | | 22 |
| 1 | 376 | | | 8 |
| 1 | 380 | | | 16 |
| 1 | 489 | | | 36 |
| 1 | 568 | | | 14 |
| 1 | 572 | | | 18 |
| 1 | 598 | | | 2 |
| 1 | 693 | | | 42 |
| 5 | 80 | | | 96 |
| 5 | 150 | | | 6 |
| 7 | 59 | | | 99 |
| 67832-720 | | 7 | 95 | 6 |
| | | 1 | 232 | 1 |
| | | 1 | 432 | 1 |
| 67832-820 | | 1 | 636 | 1 |
| | | 1 | 222 | 1 |
| | | 1 | 418 | 1 |
| 678327 | | 1 | 622 | 1 |
| | | 1 | 232 | 1 |
| | | 1 | 432 | 1 |
| 678328 | | 1 | 636 | 1 |
| | | 1 | 222 | 1 |
| | | 1 | 418 | 1 |
| 69310-6A3X | | 1 | 622 | 1 |
| | | 1 | 487D | 6 |
| | | 1 | 691D | 8 |
| 69310-6A4X | | 1 | 487H | 6 |
| | | 1 | 691H | 10 |
| 69310-6A5X | | 1 | 487 | 8 |

57-43-37

 ILLUSTRATED PARTS LIST
 01.1 Page 1062F
 Jul 01/03

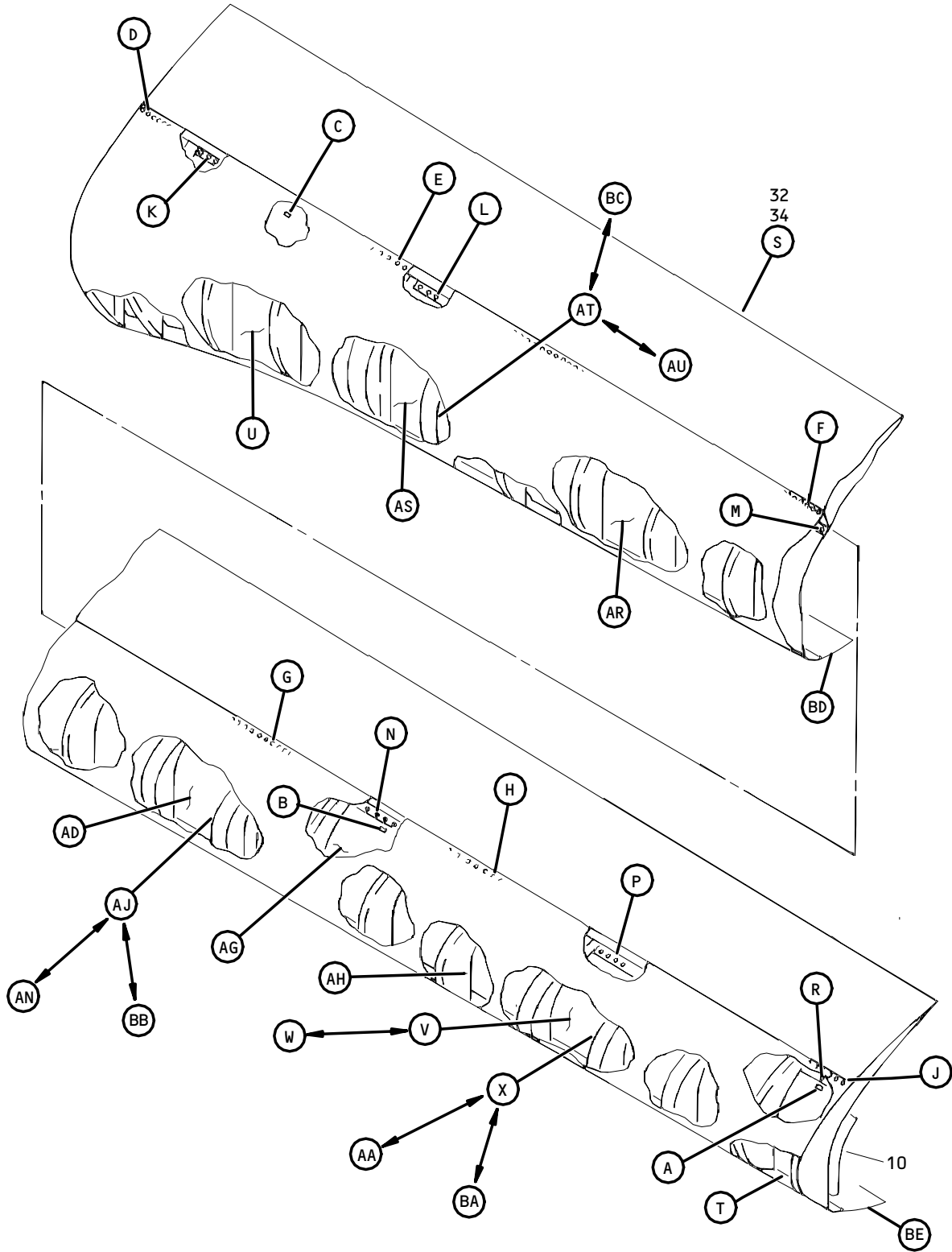
015T0165
015T1507
114T3100
DASH NUMBERS LIMITED

 **BOEING**
COMPONENT
MAINTENANCE MANUAL

| PART NUMBER | AIRLINE PART NO. | FIG. | ITEM | TTL REQ |
|-------------|---------------------|------|------|------------|
| 69310-6A5X | | 1 | 691 | 20 |
| 69310-6A6X | | 1 | 487M | 8 |
| | | 1 | 691M | 4 |
| 69310-6A7X | | 1 | 487R | 6 |
| 69310-6A8X | | 1 | 487V | 2 |

57-43-37

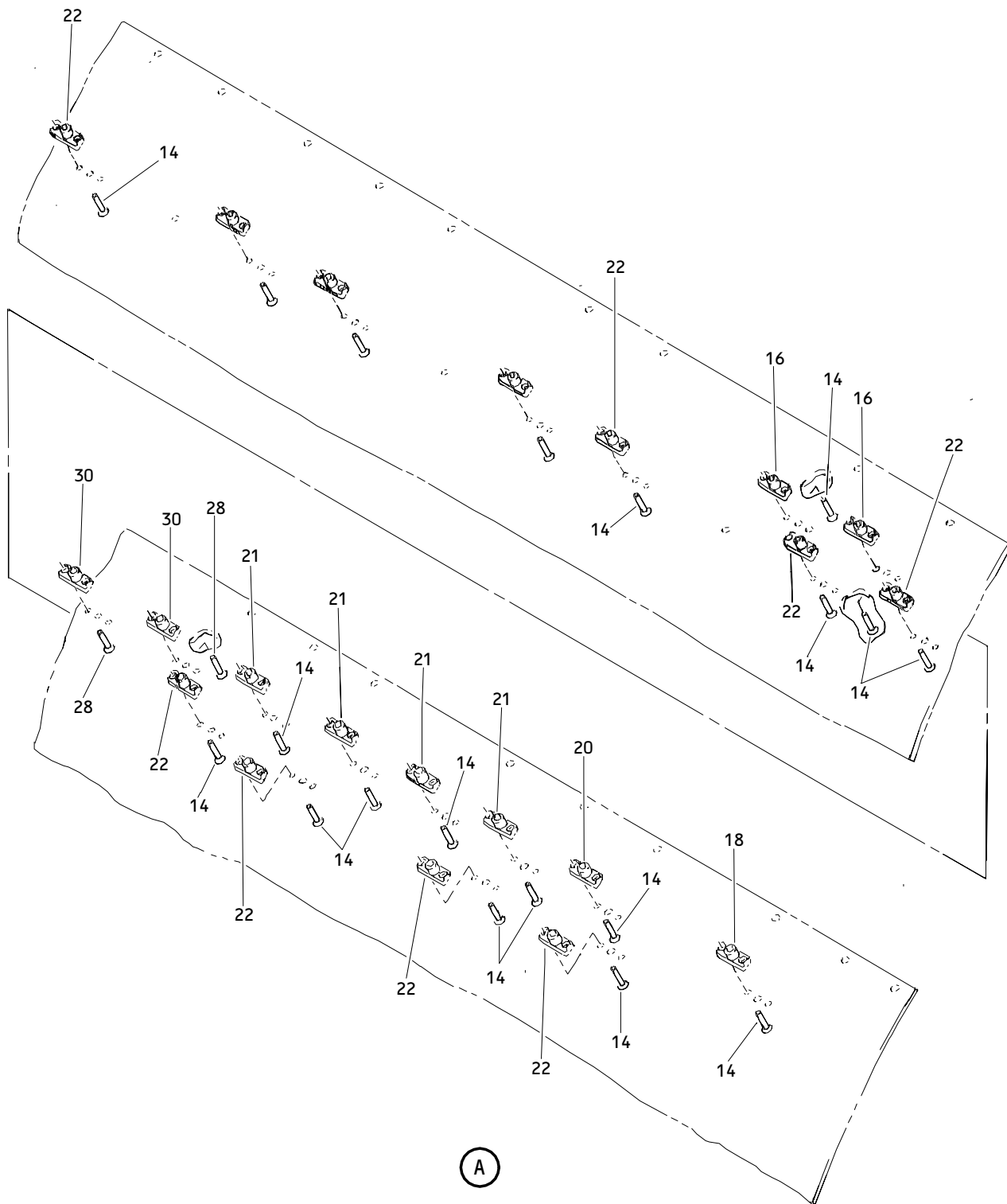
ILLUSTRATED PARTS LIST
01.1 Page 1062G
Jul 01/03



Inboard Slat No. 6 And 7 Wing Leading Edge Structure Assembly
 Figure 1 (Sheet 1)

57-43-37

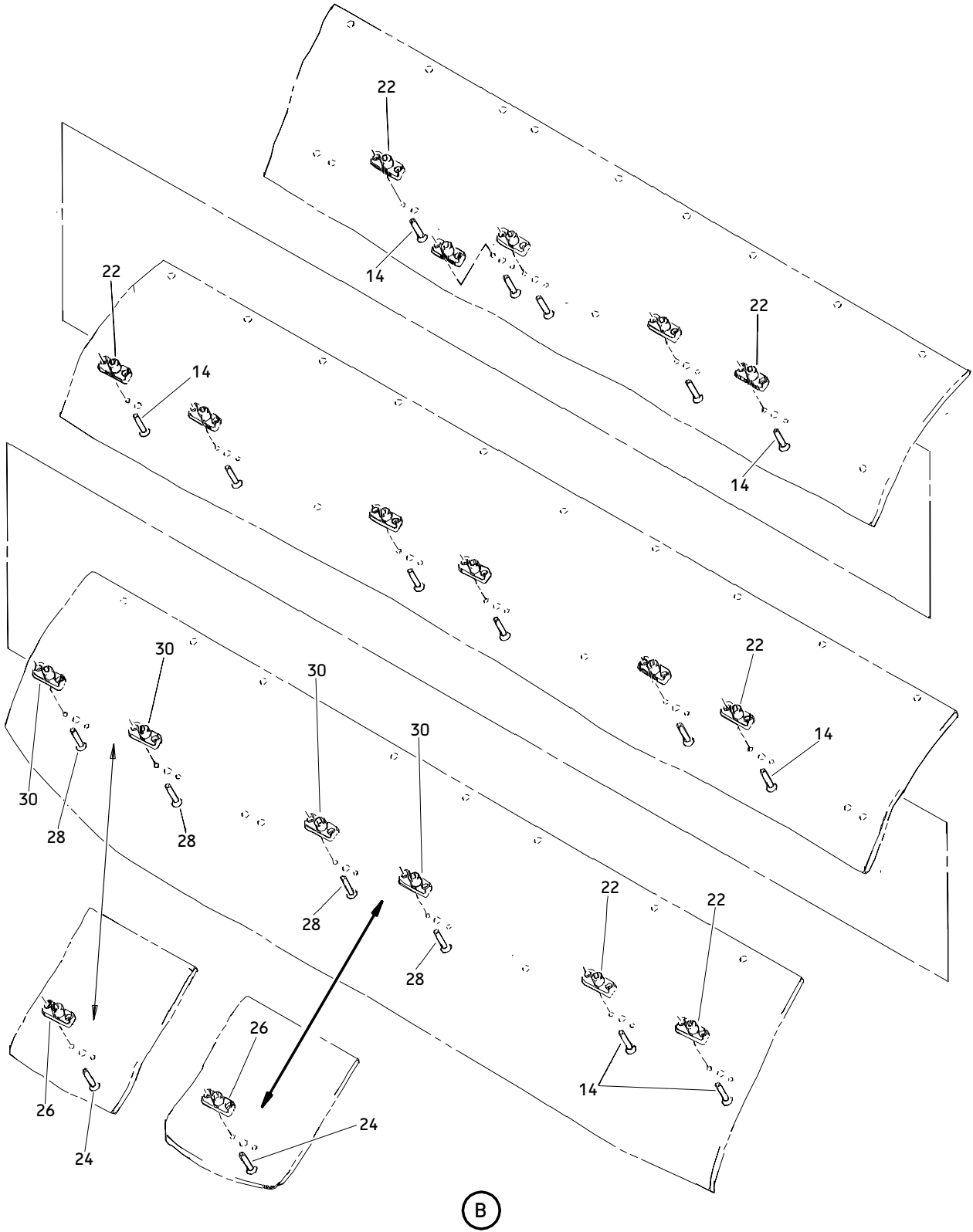
ILLUSTRATED PARTS LIST
 01.1 Page 1062I
 Jul 01/03



Inboard Slat No. 6 And 7 Wing Leading Edge Structure Assembly
Figure 1 (Sheet 2)

57-43-37

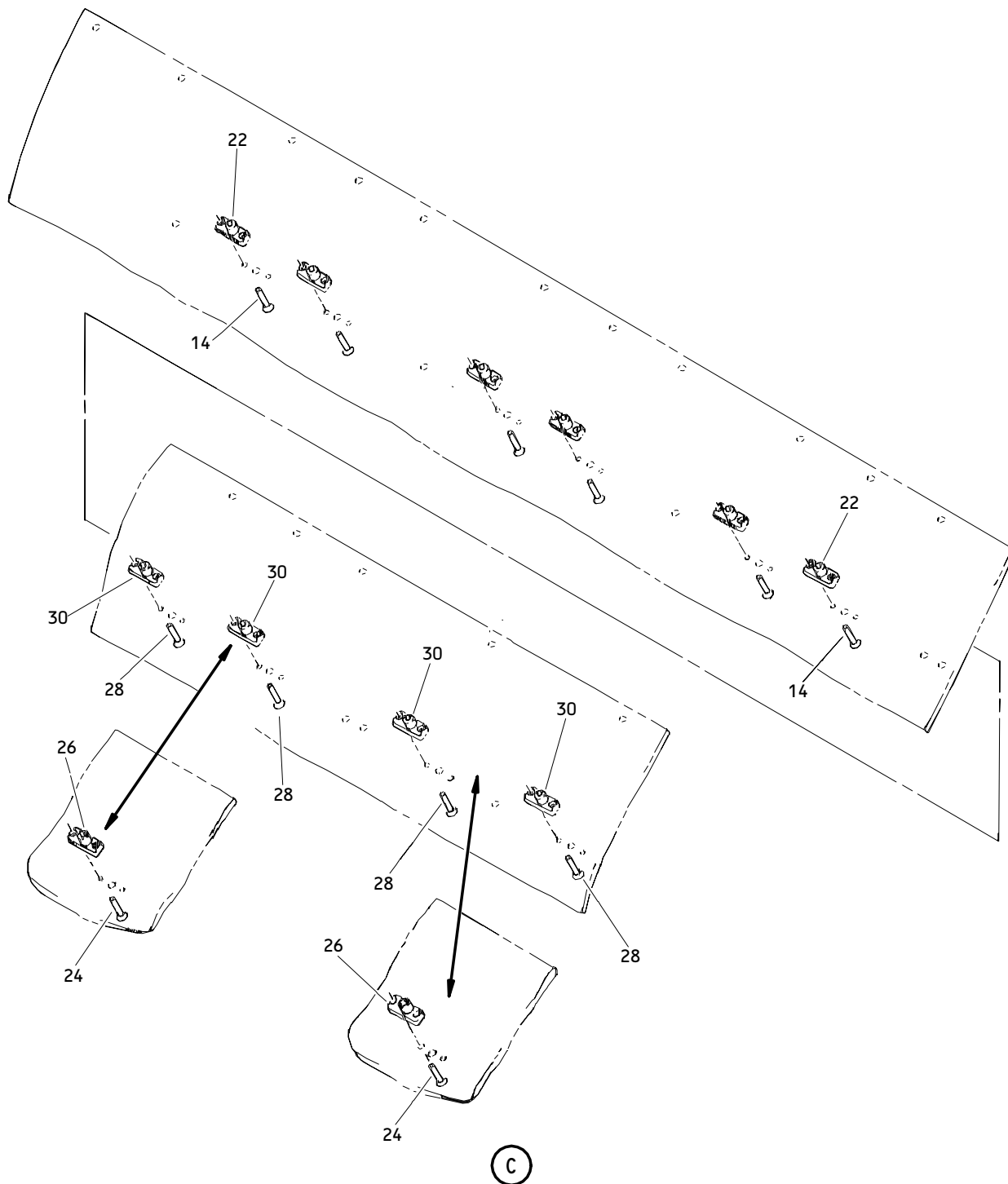
ILLUSTRATED PARTS LIST
01.1 Page 1062J
Jul 01/03



Inboard Slat No. 6 And 7 Wing Leading Edge Structure Assembly
Figure 1 (Sheet 3)

57-43-37

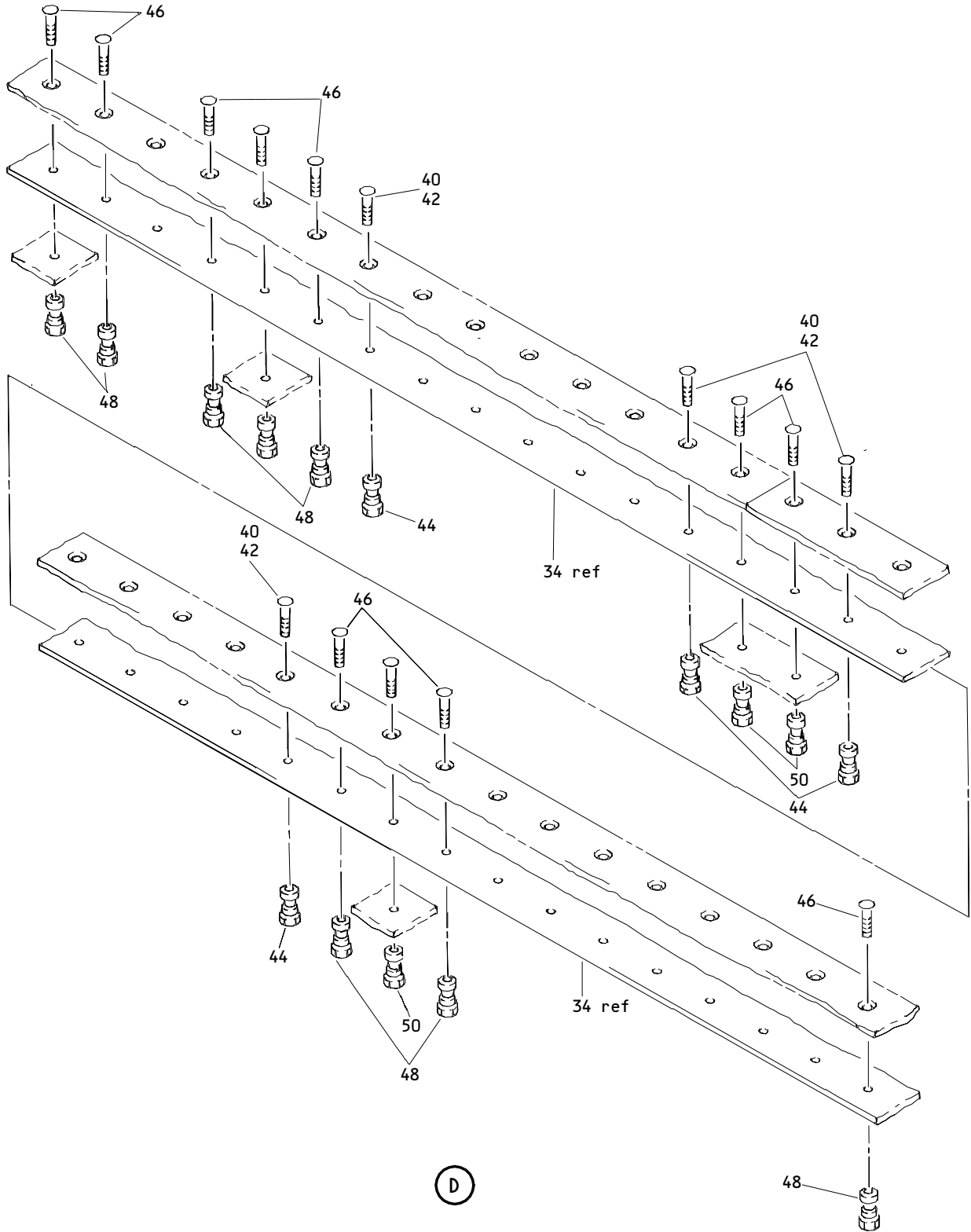
ILLUSTRATED PARTS LIST
01.1 Page 1062K
Jul 01/03



Inboard Slat No. 6 And 7 Wing Leading Edge Structure Assembly
Figure 1 (Sheet 4)

57-43-37

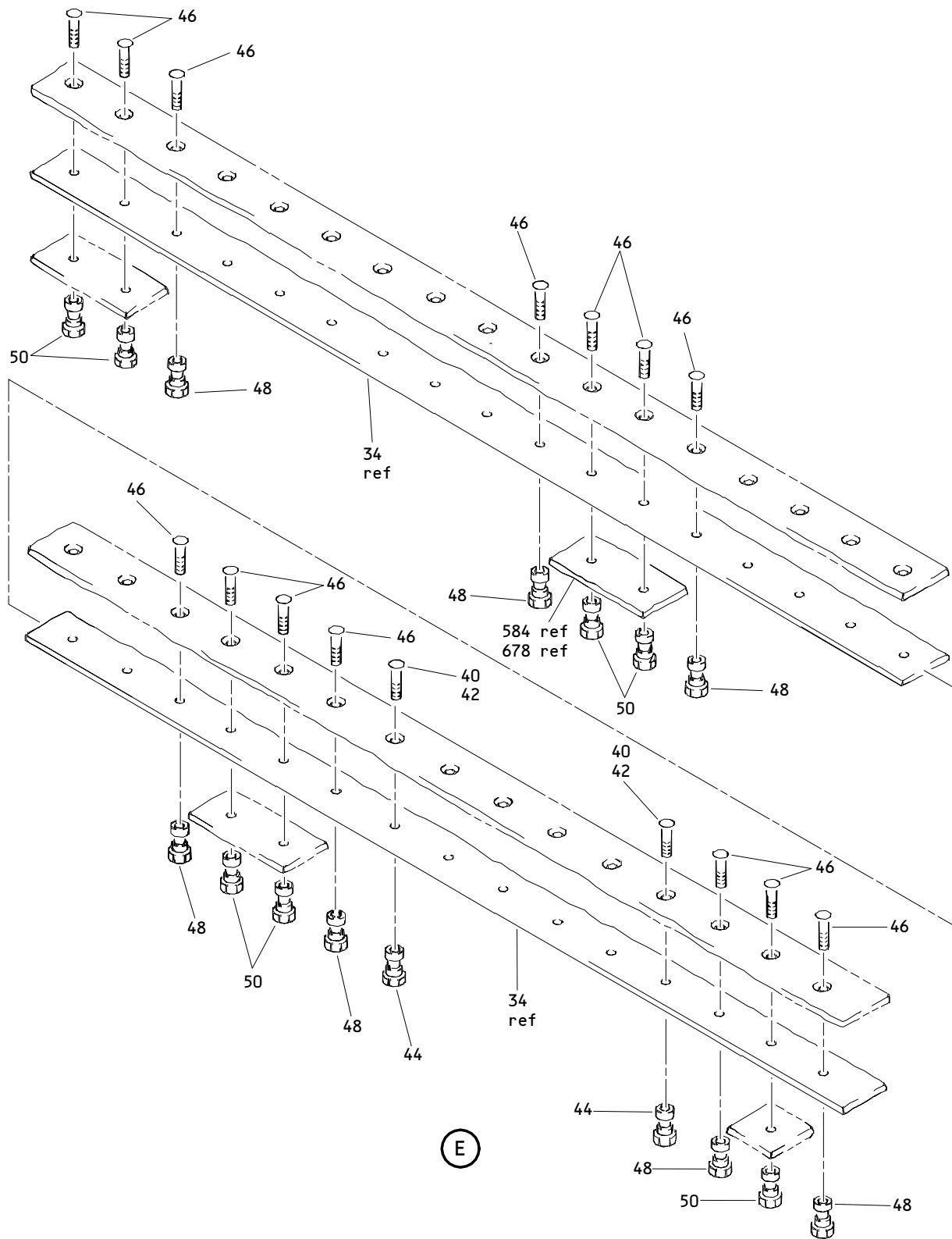
ILLUSTRATED PARTS LIST
01.1 Page 1062L
Jul 01/03



Inboard Slat No. 6 And 7 Wing Leading Edge Structure Assembly
Figure 1 (Sheet 5)

57-43-37

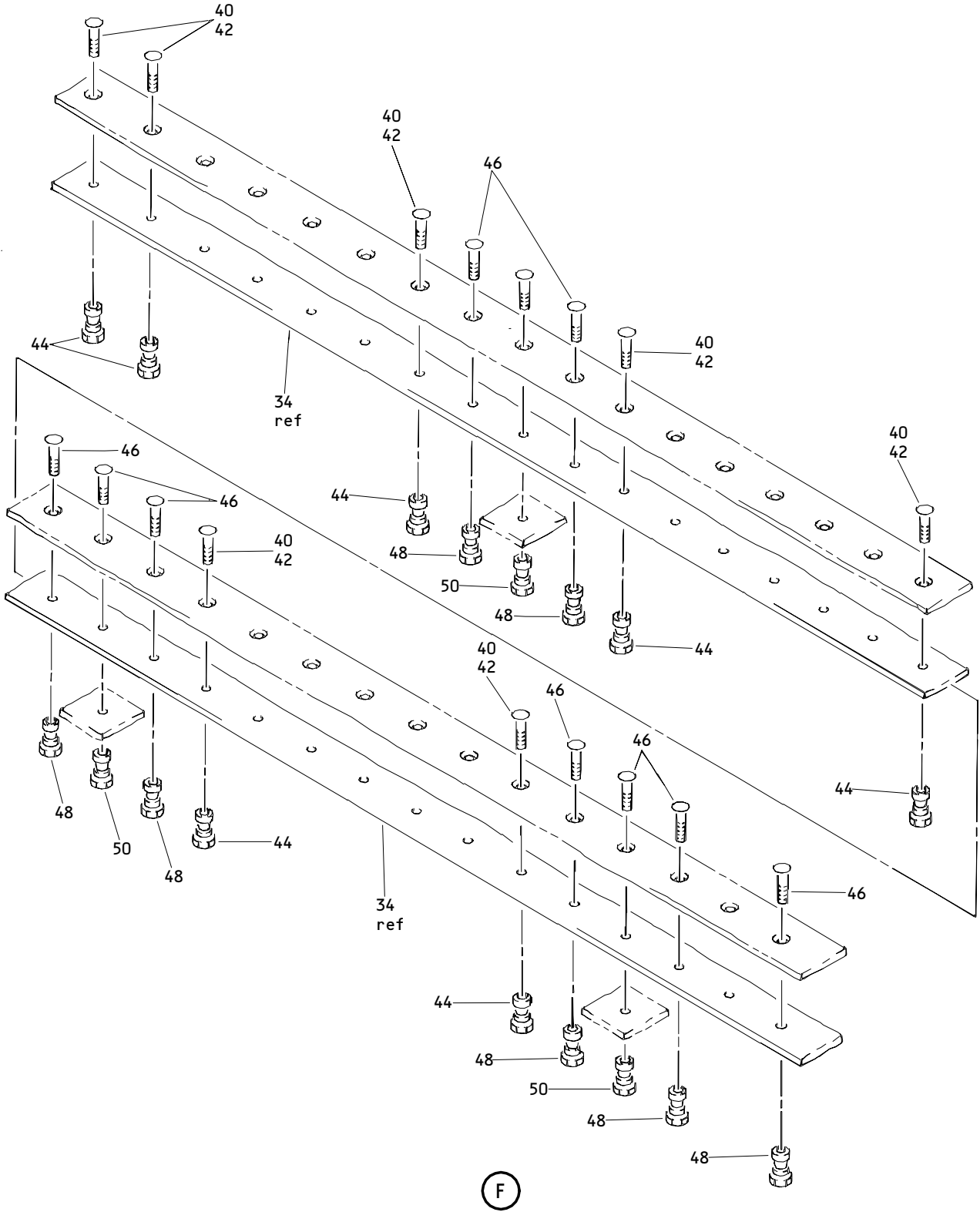
ILLUSTRATED PARTS LIST
01.1 Page 1062M
Jul 01/03



Inboard Slat No. 6 And 7 Wing Leading Edge Structure Assembly
 Figure 1 (Sheet 6)

57-43-37

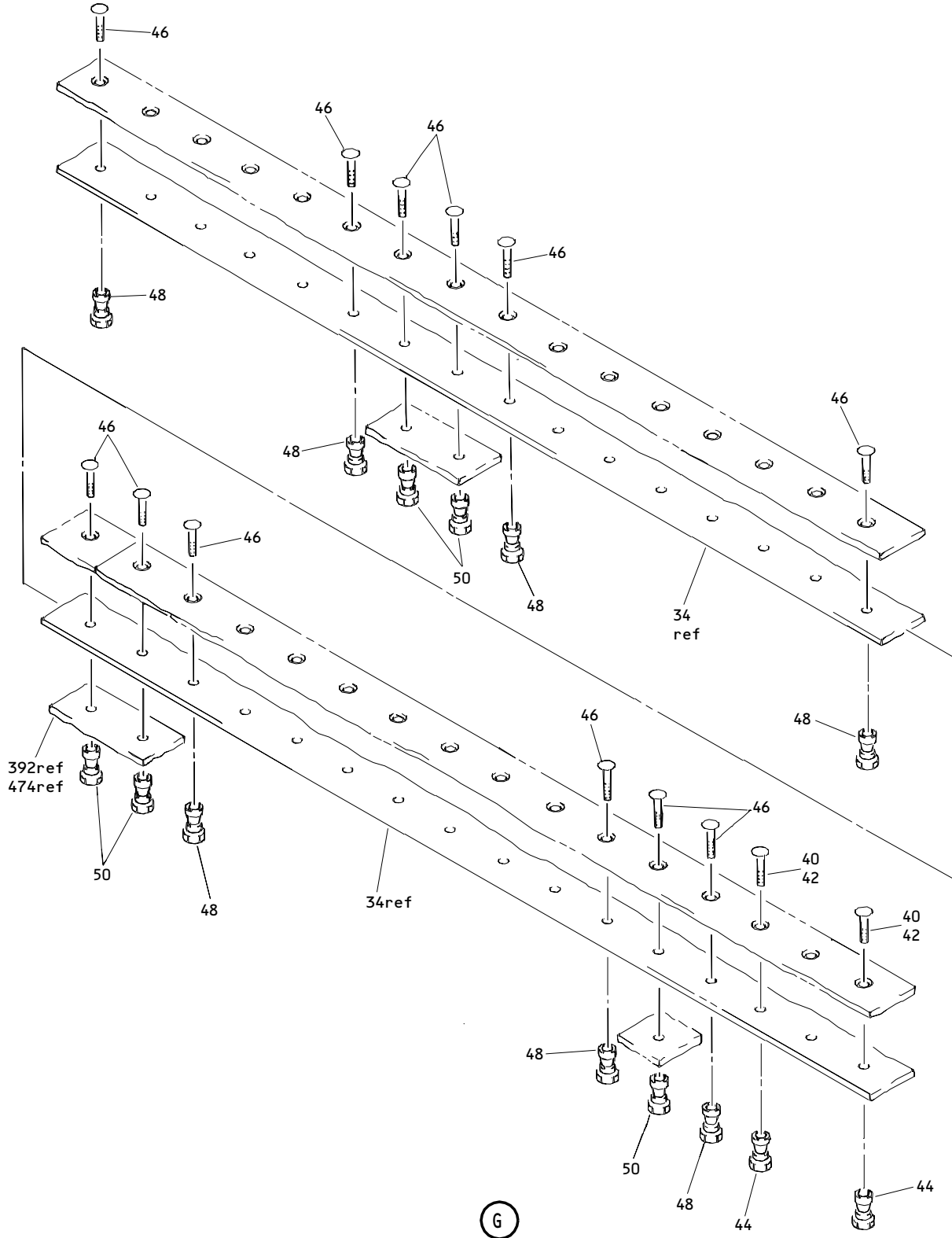
ILLUSTRATED PARTS LIST
 01.1 Page 1062N
 Jul 01/03



Inboard Slat No. 6 And 7 Wing Leading Edge Structure Assembly
Figure 1 (Sheet 7)

57-43-37

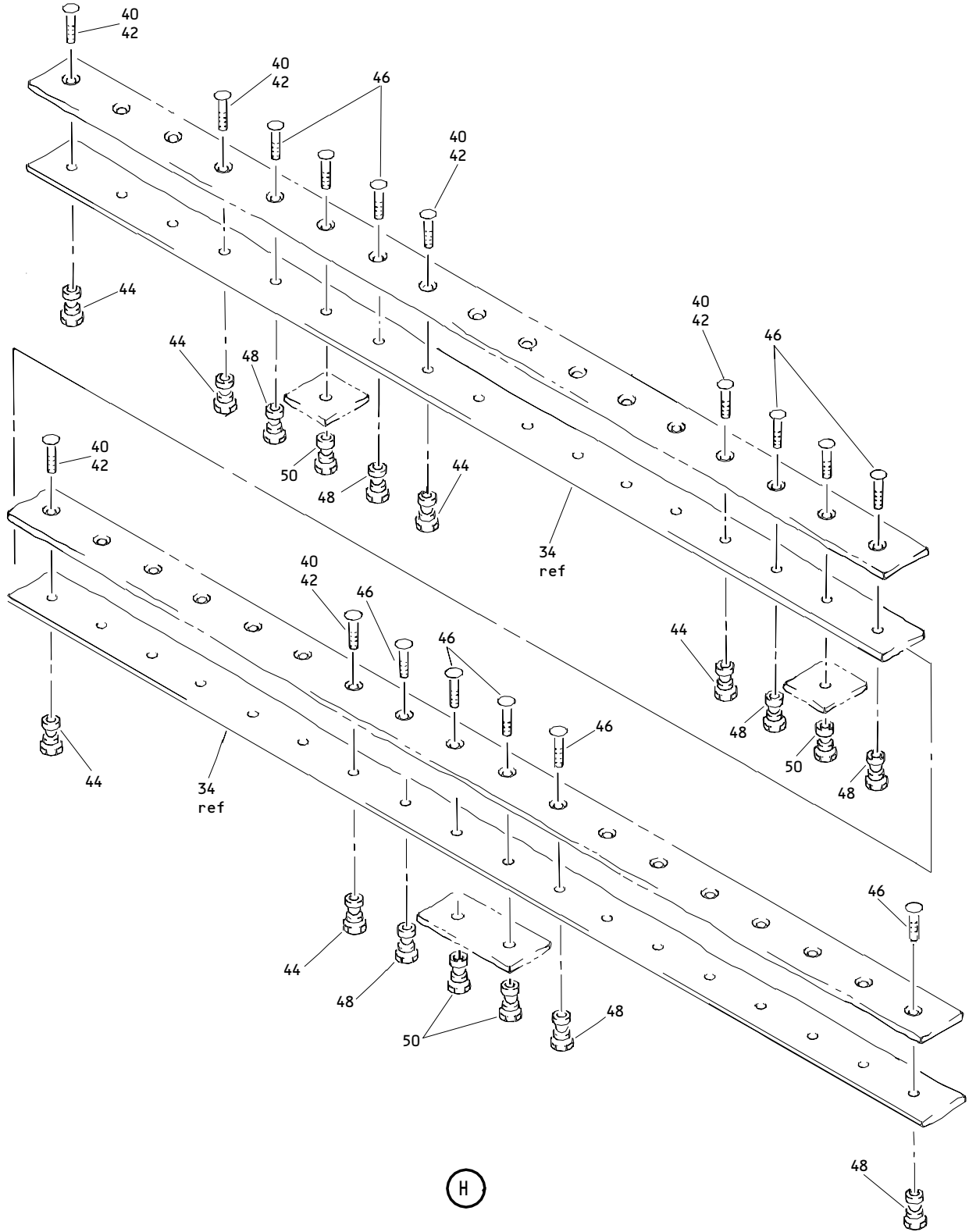
ILLUSTRATED PARTS LIST
01.1 Page 10620
Jul 01/03



Inboard Slat No. 6 And 7 Wing Leading Edge Structure Assembly
 Figure 1 (Sheet 8)

57-43-37

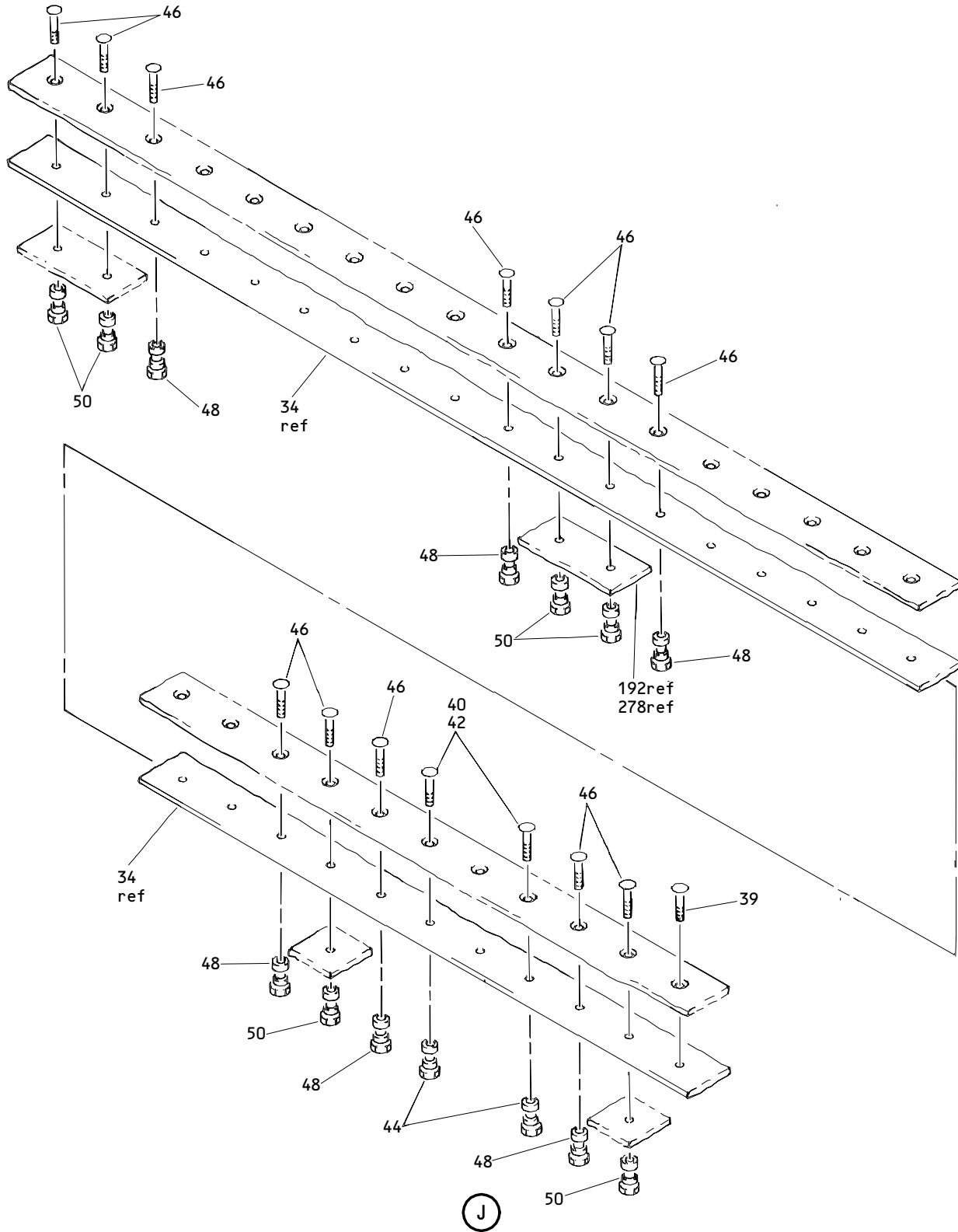
ILLUSTRATED PARTS LIST
 01.1 Page 1062P
 Jul 01/03



Inboard Slat No. 6 And 7 Wing Leading Edge Structure Assembly
 Figure 1 (Sheet 9)

57-43-37

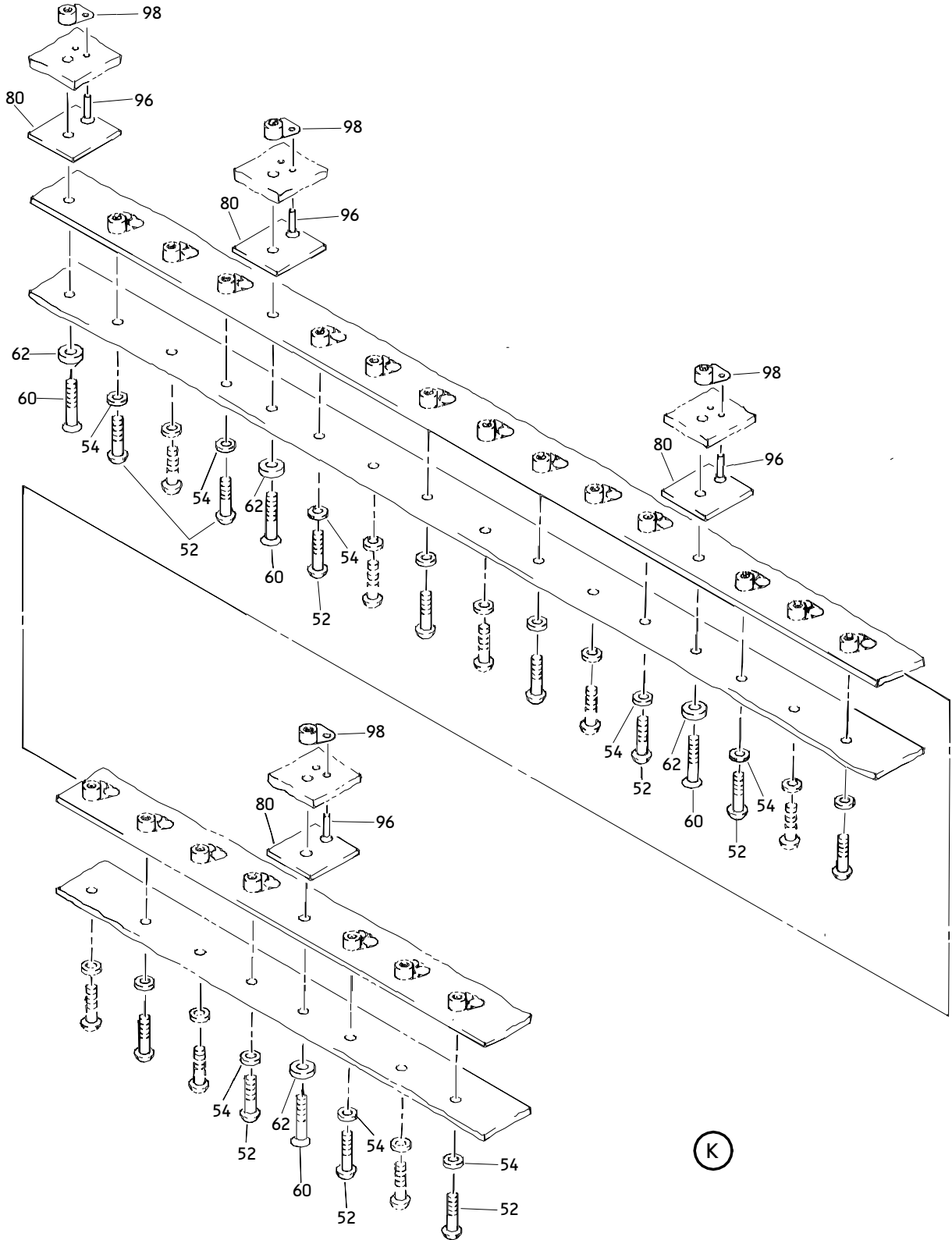
ILLUSTRATED PARTS LIST
 01.1 Page 1062Q
 Jul 01/03



Inboard Slat No. 6 And 7 Wing Leading Edge Structure Assembly
 Figure 1 (Sheet 10)

57-43-37

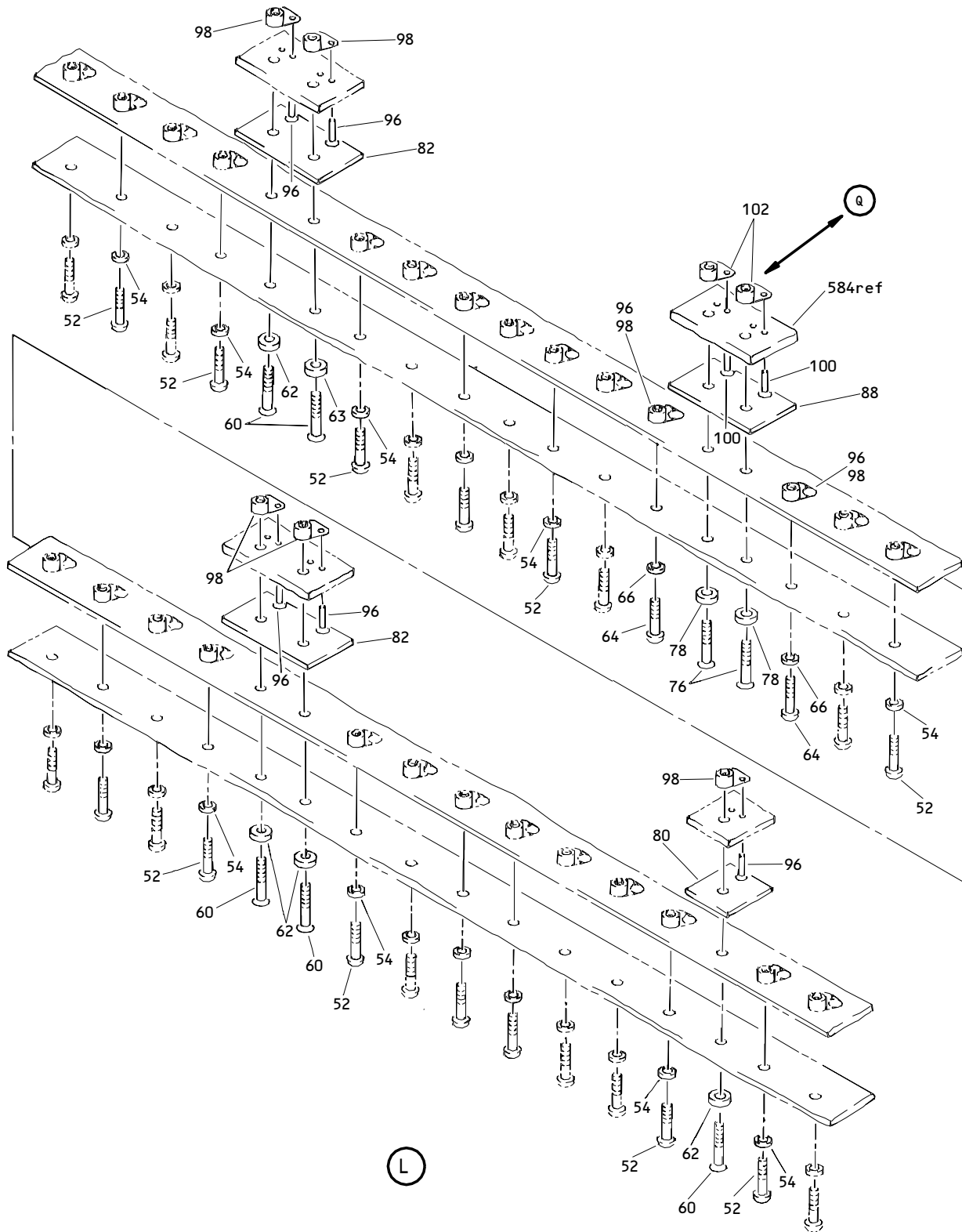
ILLUSTRATED PARTS LIST
 01.1 Page 1062R
 Jul 01/03



Inboard Slat No. 6 And 7 Wing Leading Edge Structure Assembly
Figure 1 (Sheet 11)

57-43-37

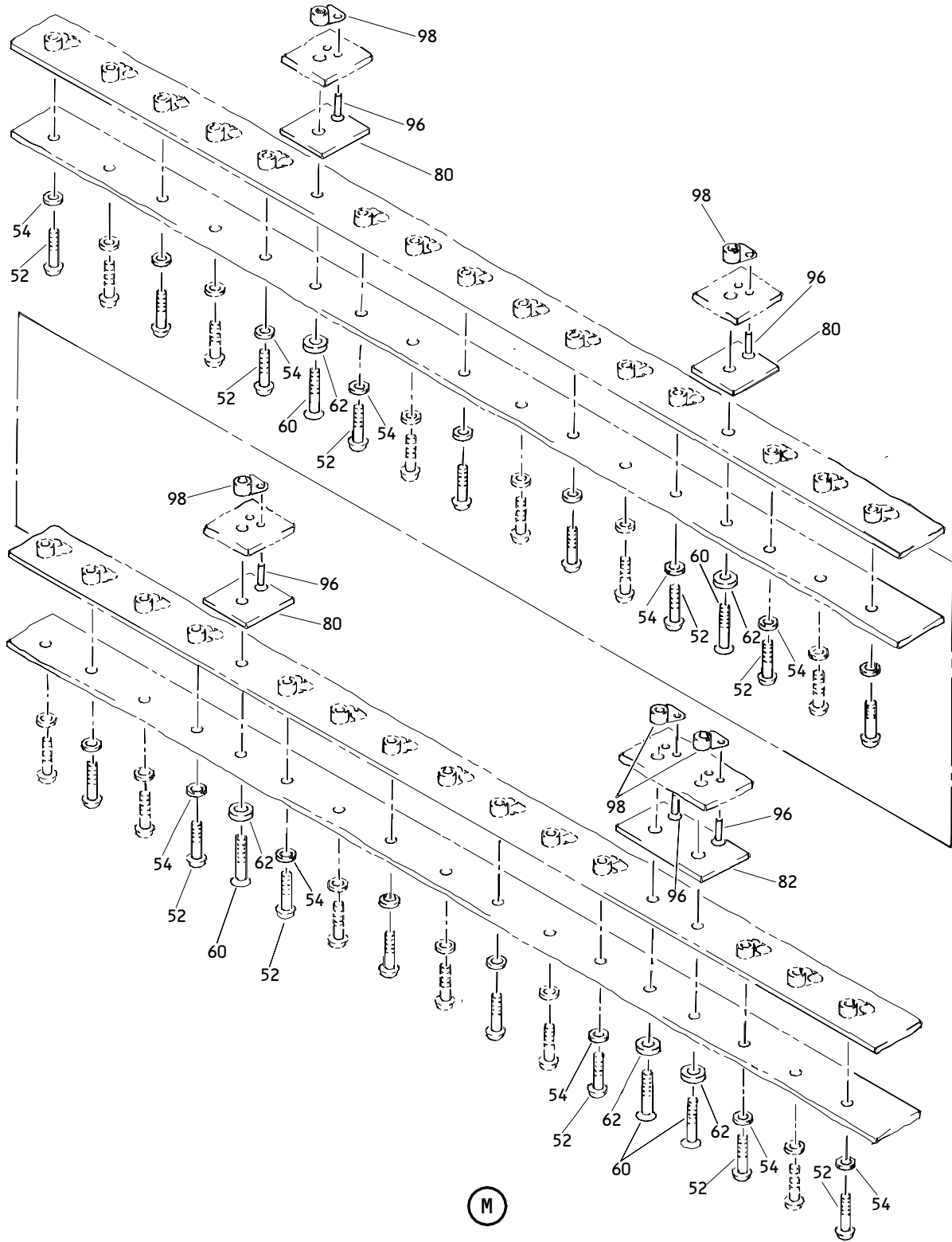
ILLUSTRATED PARTS LIST
01.1 Page 1062S
Jul 01/03



Inboard Slat No. 6 And 7 Wing Leading Edge Structure Assembly
 Figure 1 (Sheet 12)

57-43-37

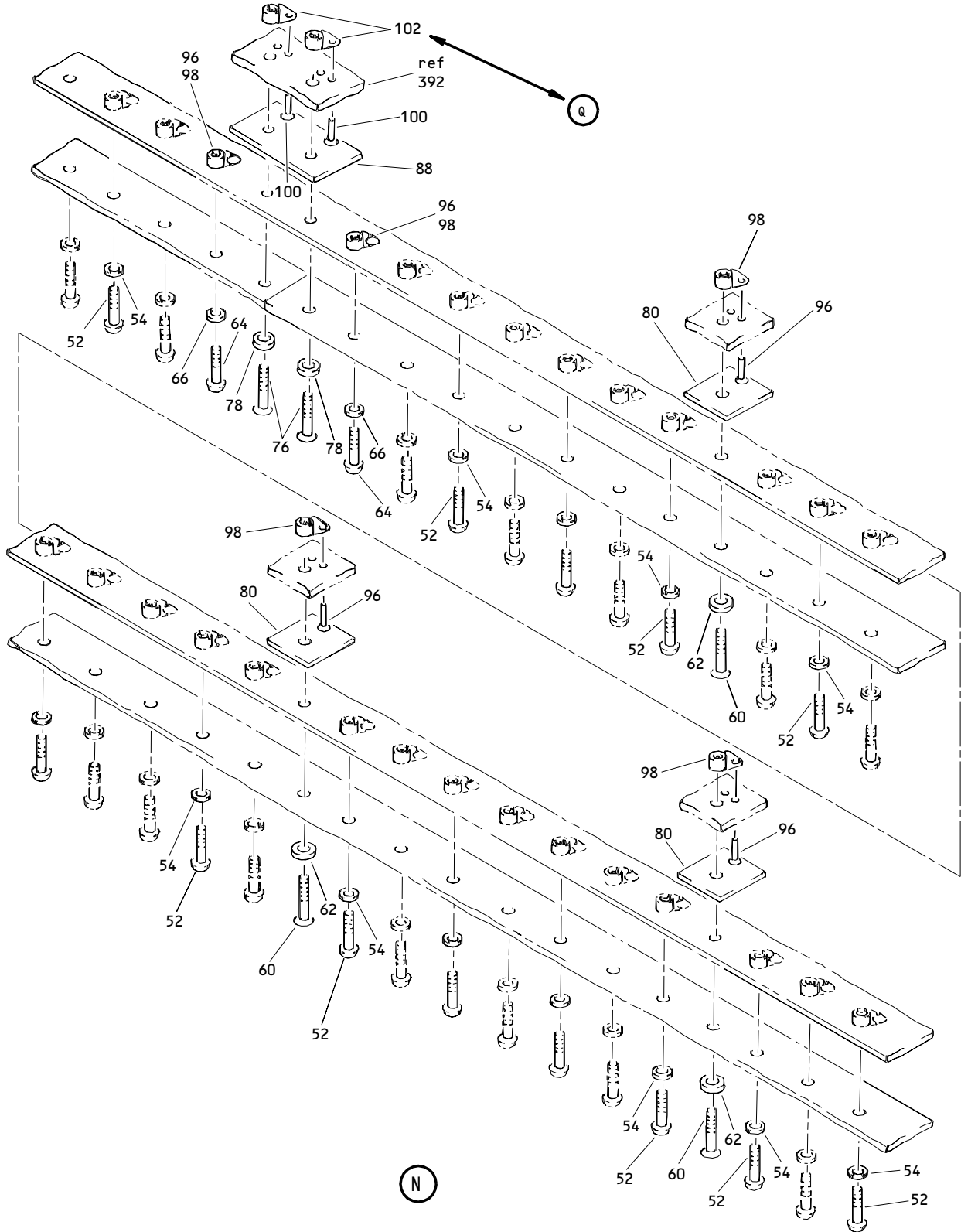
ILLUSTRATED PARTS LIST
 01.1 Page 1062T
 Jul 01/03



Inboard Slat No. 6 And 7 Wing Leading Structure Assembly
Figure 1 (Sheet 13)

57-43-37

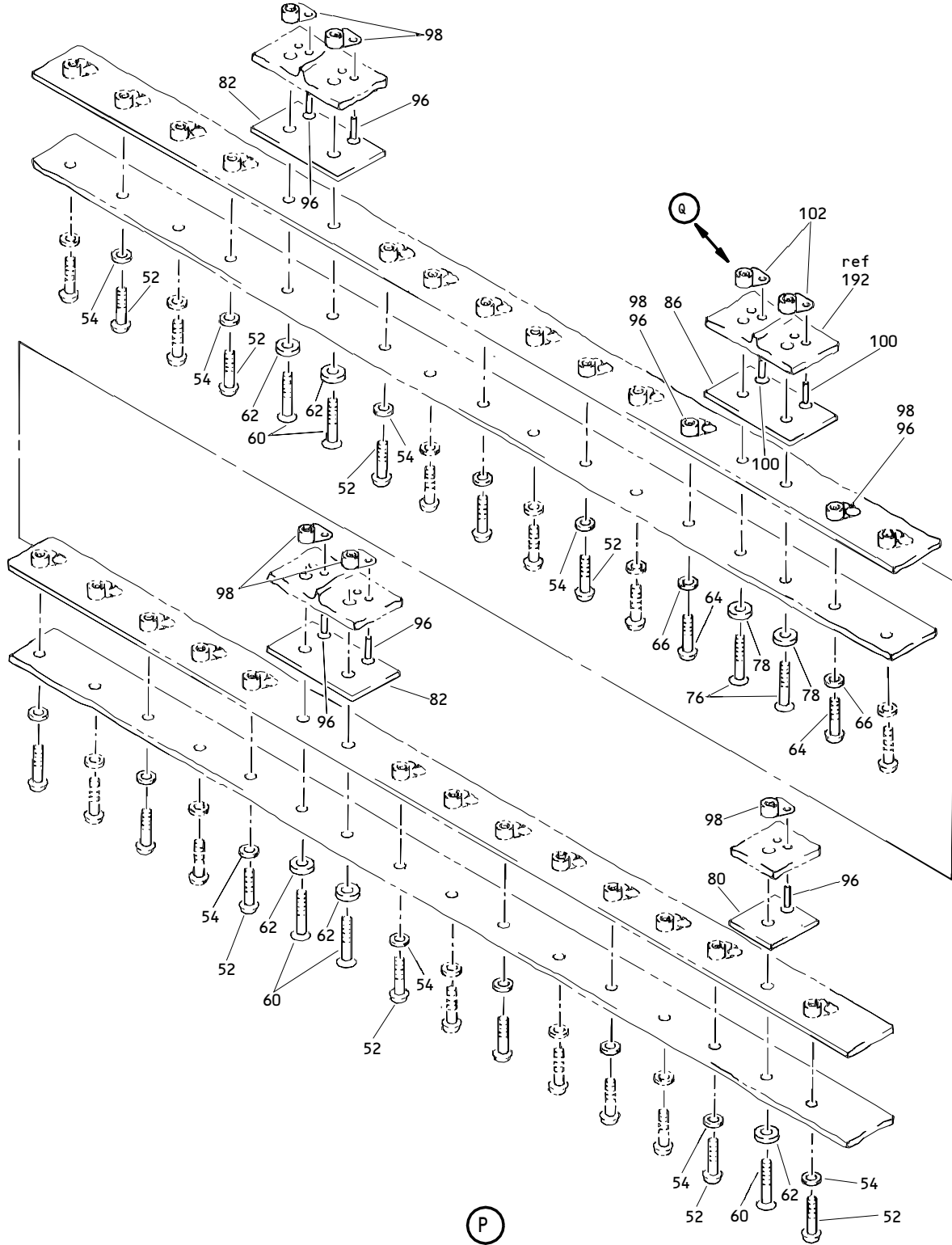
ILLUSTRATED PARTS LIST
01.1 Page 1062U
Jul 01/03



Inboard Slat No. 6 And 7 Wing Leading Structure Assembly
 Figure 1 (Sheet 14)

57-43-37

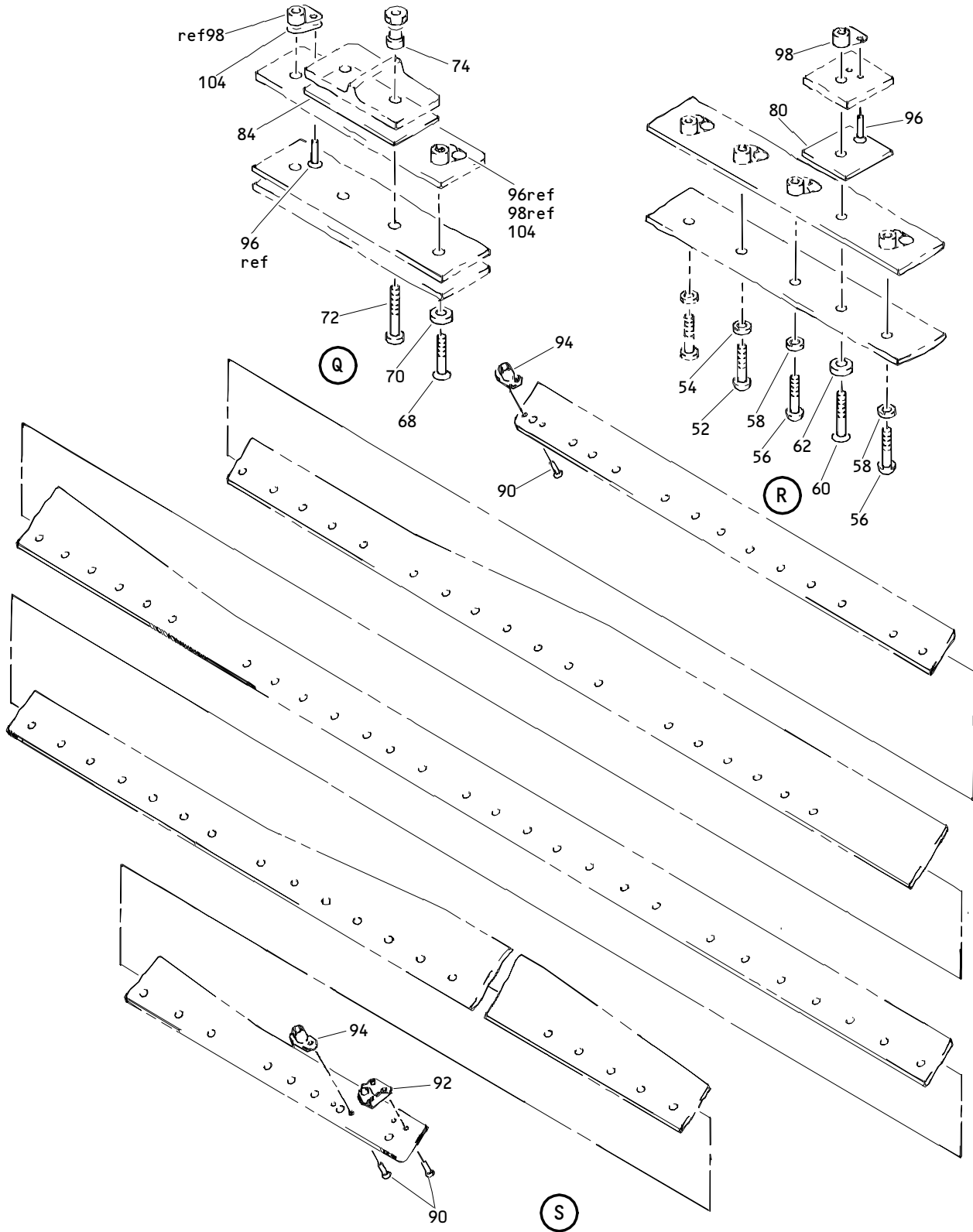
ILLUSTRATED PARTS LIST
 01.1 Page 1062V
 Jul 01/03



Inboard Slat No. 6 And 7 Wing Leading Edge Structure Assembly
Figure 1 (Sheet 15)

57-43-37

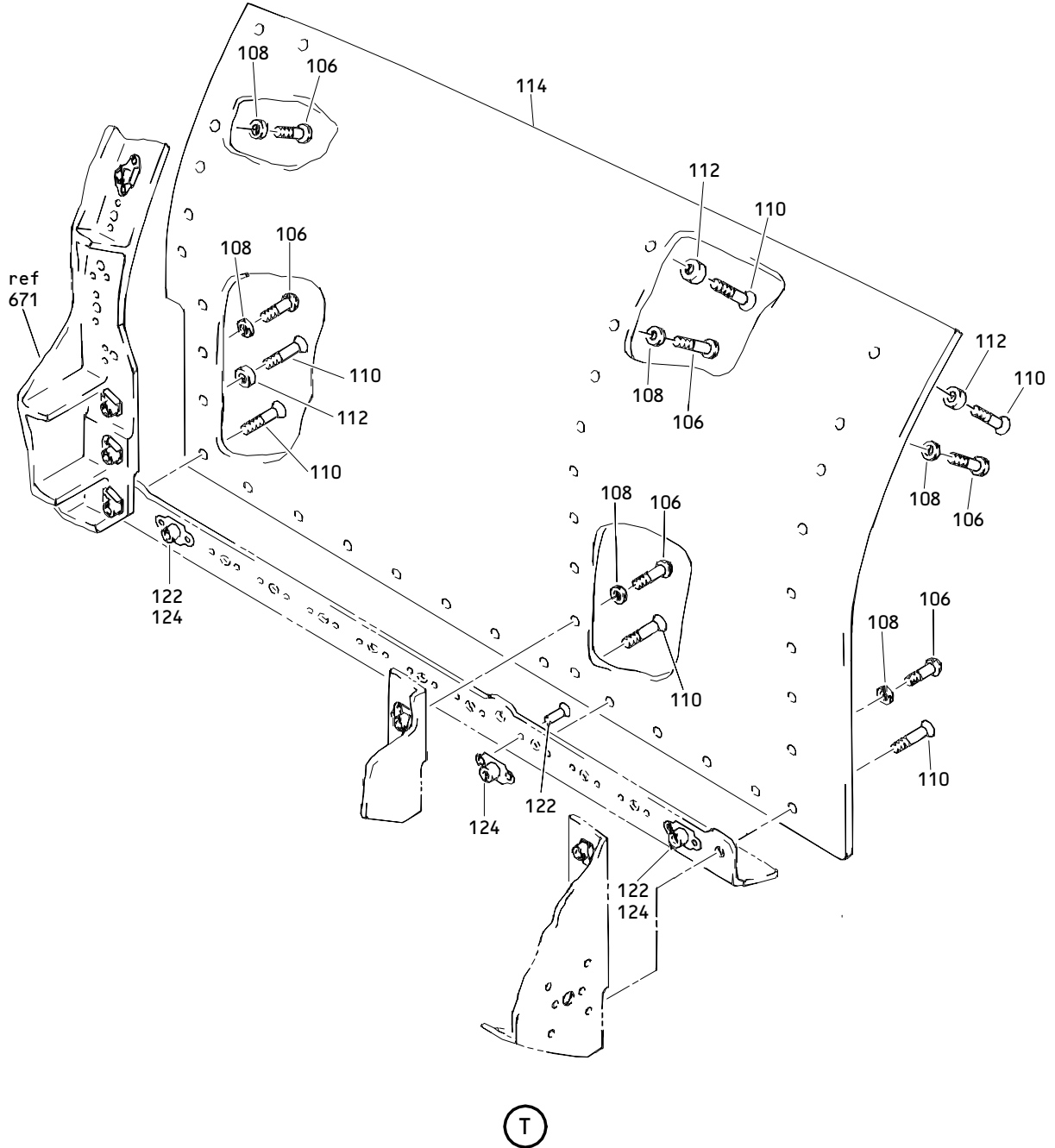
ILLUSTRATED PARTS LIST
01.1 Page 1062W
Jul 01/03



Inboard Slat No. 6 And 7 Wing Leading Edge Structure Assembly
 Figure 1 (Sheet 16)

57-43-37

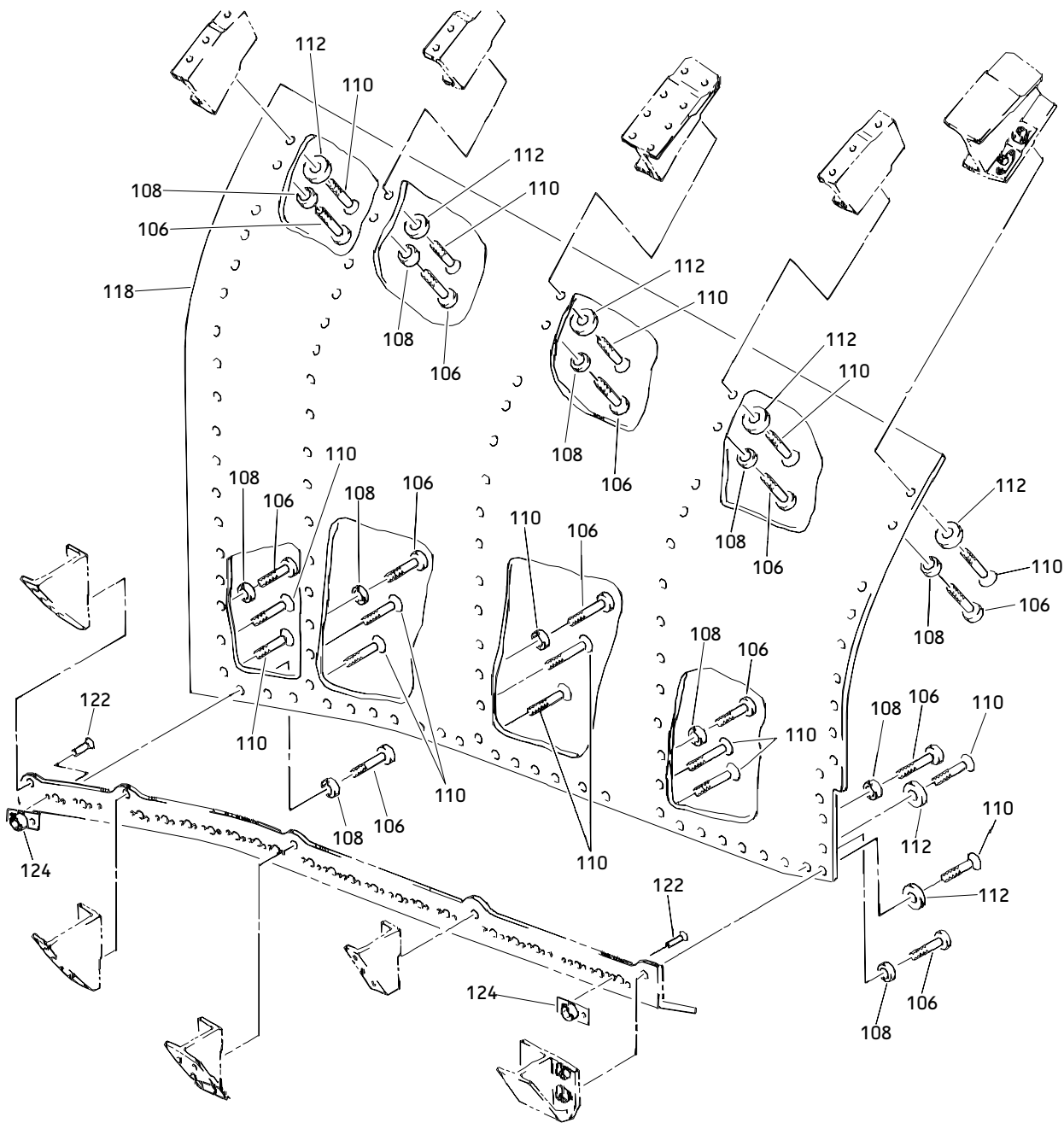
ILLUSTRATED PARTS LIST
 01.1 Page 1062X
 Jul 01/03



Inboard Slat No. 6 And 7 Wing Leading Edge Structure Assembly
Figure 1 (Sheet 17)

57-43-37

ILLUSTRATED PARTS LIST
01.1 Page 1062Y
Jul 01/03

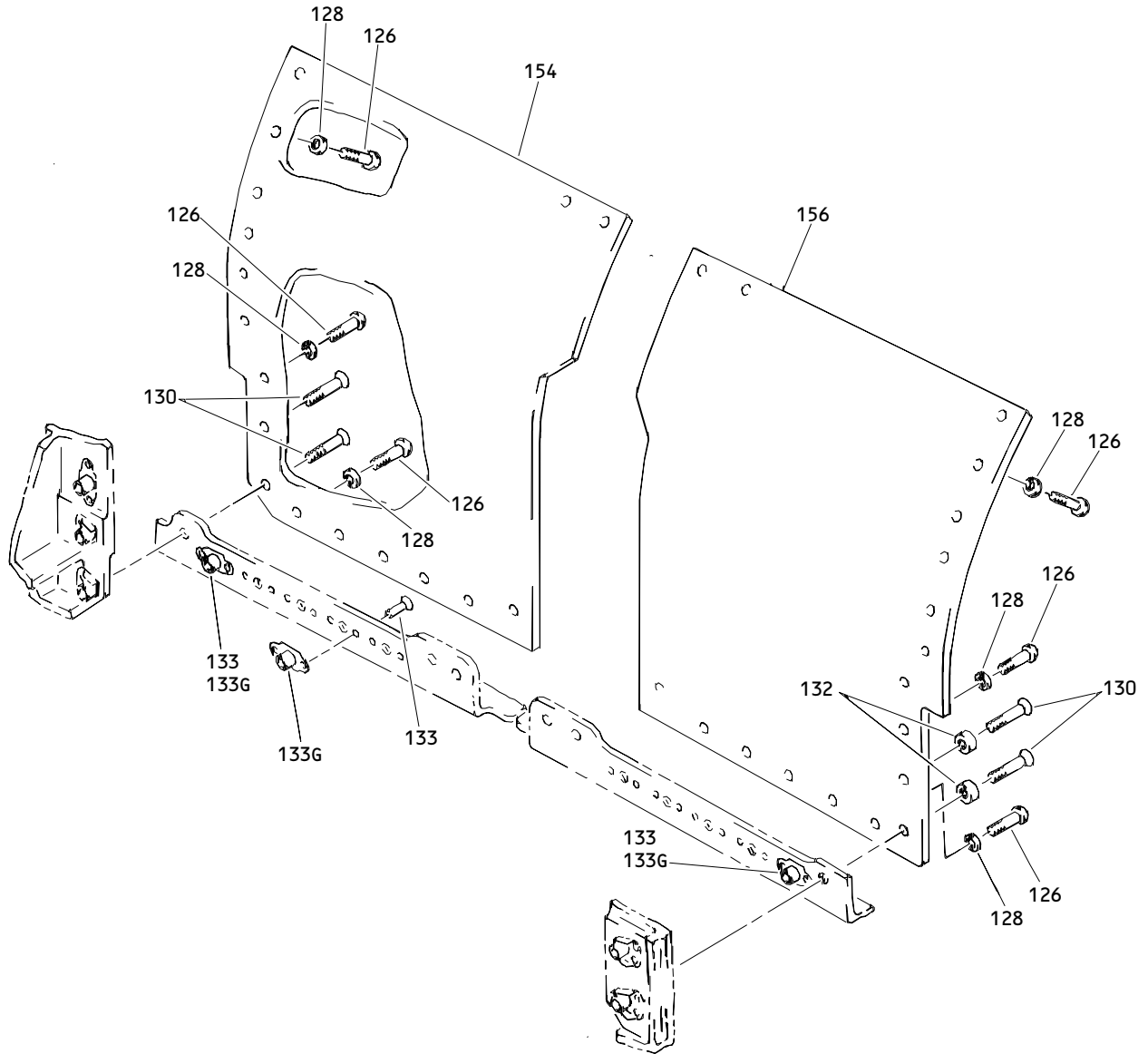


U

Inboard Slat No. 6 And 7 Wing Leading Edge Structure Assembly
Figure 1 (Sheet 18)

57-43-37

ILLUSTRATED PARTS LIST
01.1 Page 1062Z
Jul 01/03

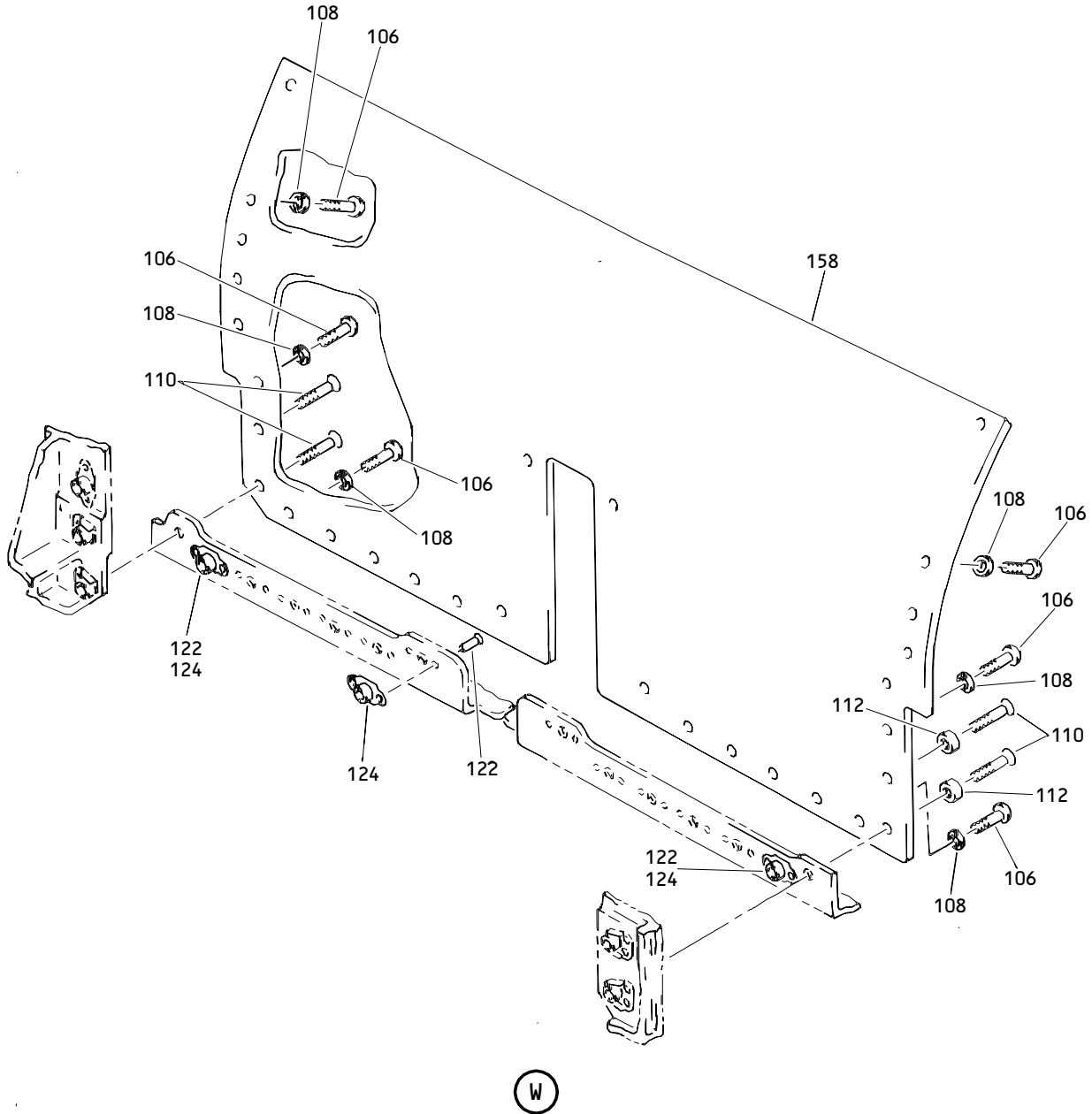


(V)

Inboard Slat No. 6 And 7 Wing Leading Edge Structure Assembly
Figure 1 (Sheet 19)

57-43-37

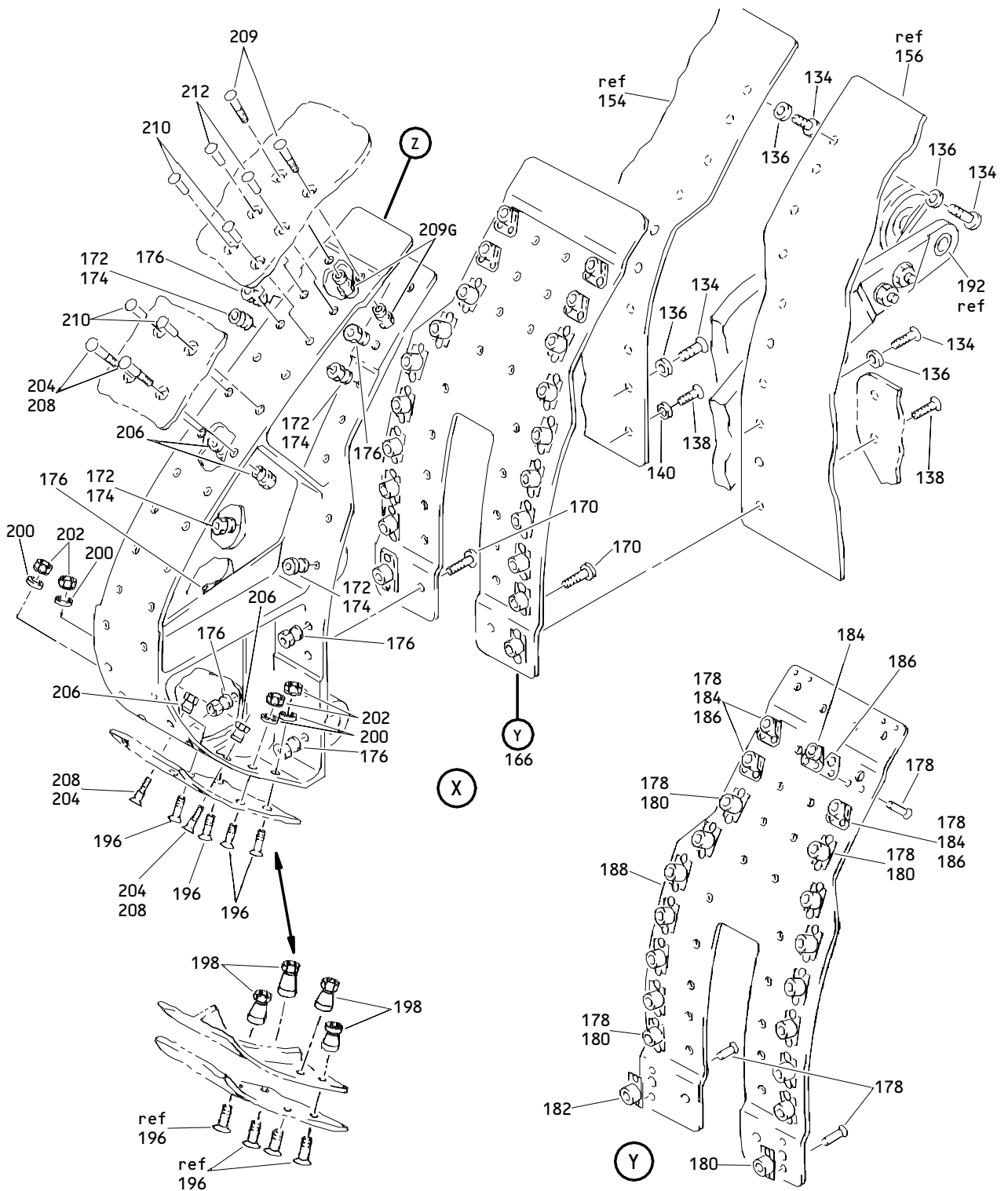
ILLUSTRATED PARTS LIST
01.1 Page 1063
Jul 01/03



Inboard Slat No. 6 And 7 Wing Leading Edge Structure Assembly
Figure 1 (Sheet 20)

57-43-37

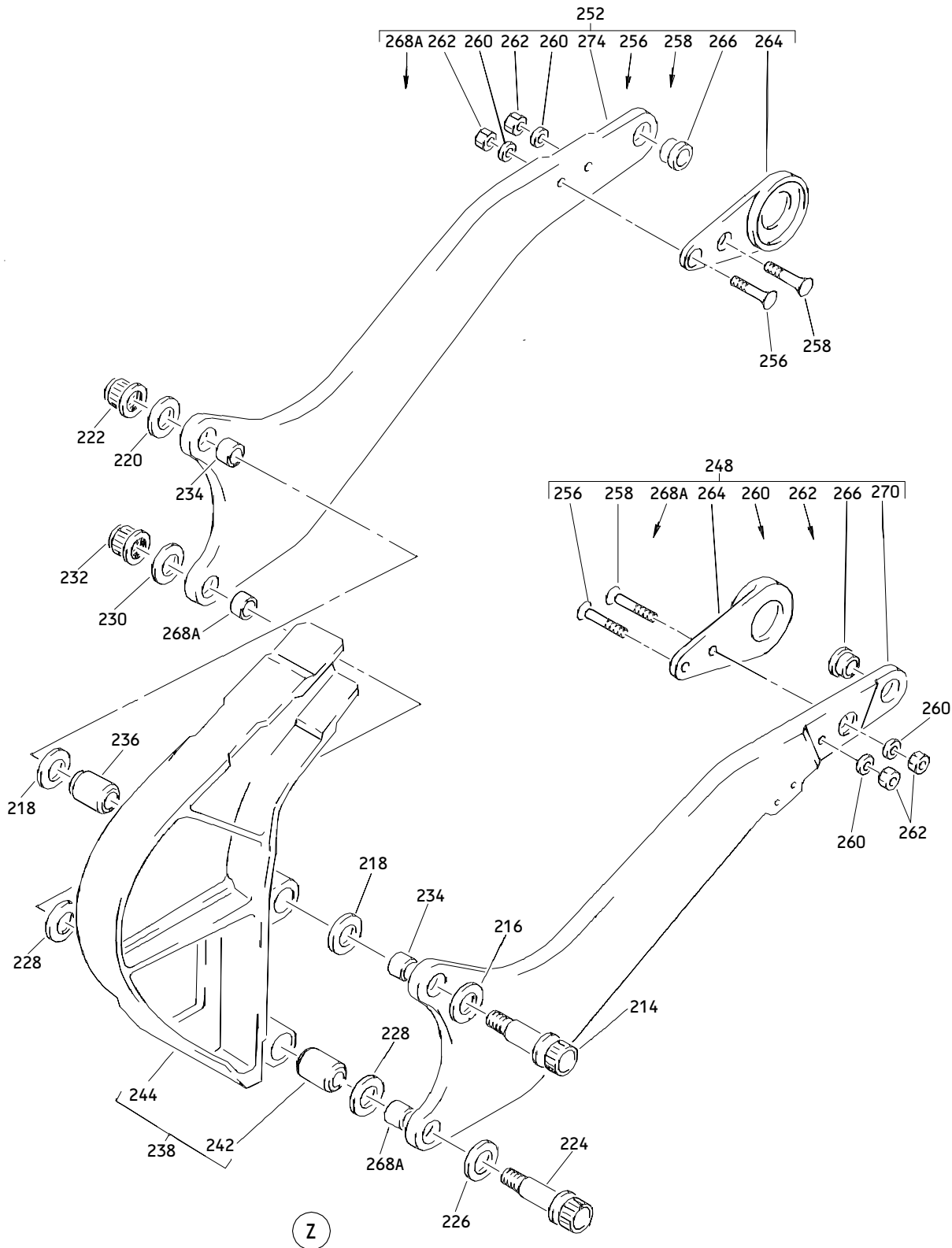
ILLUSTRATED PARTS LIST
01.1 Page 1064
Jul 01/03



Inboard Slat No. 6 And 7 Wing Leading Edge Structure Assembly
 Figure 1 (Sheet 21)

57-43-37

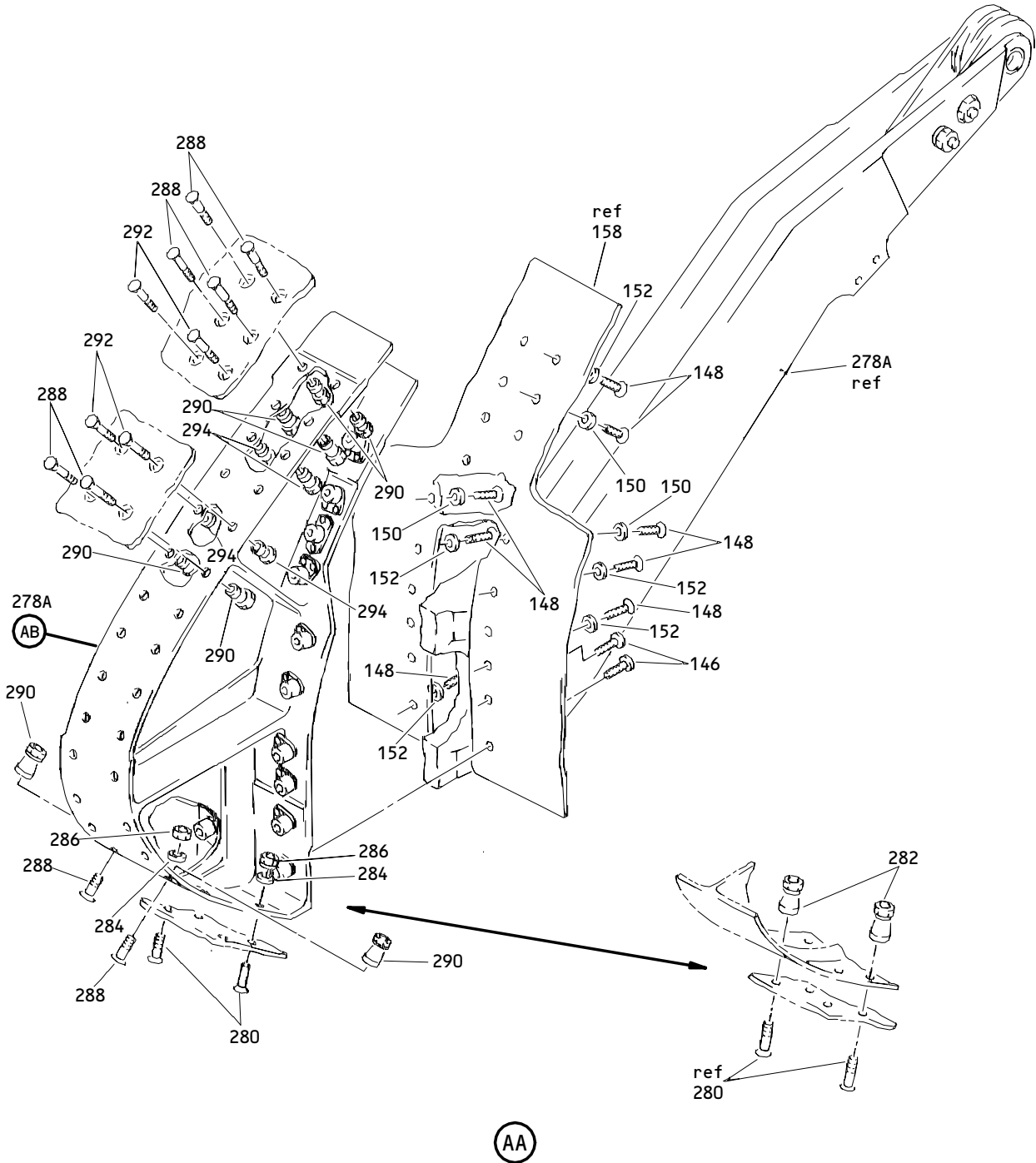
ILLUSTRATED PARTS LIST
 01.1 Page 1064A
 Jul 01/03



Inboard Slat No. 6 And No. 7 Wing Leading Edge Structure Assembly
 Figure 1 (Sheet 22)

57-43-37

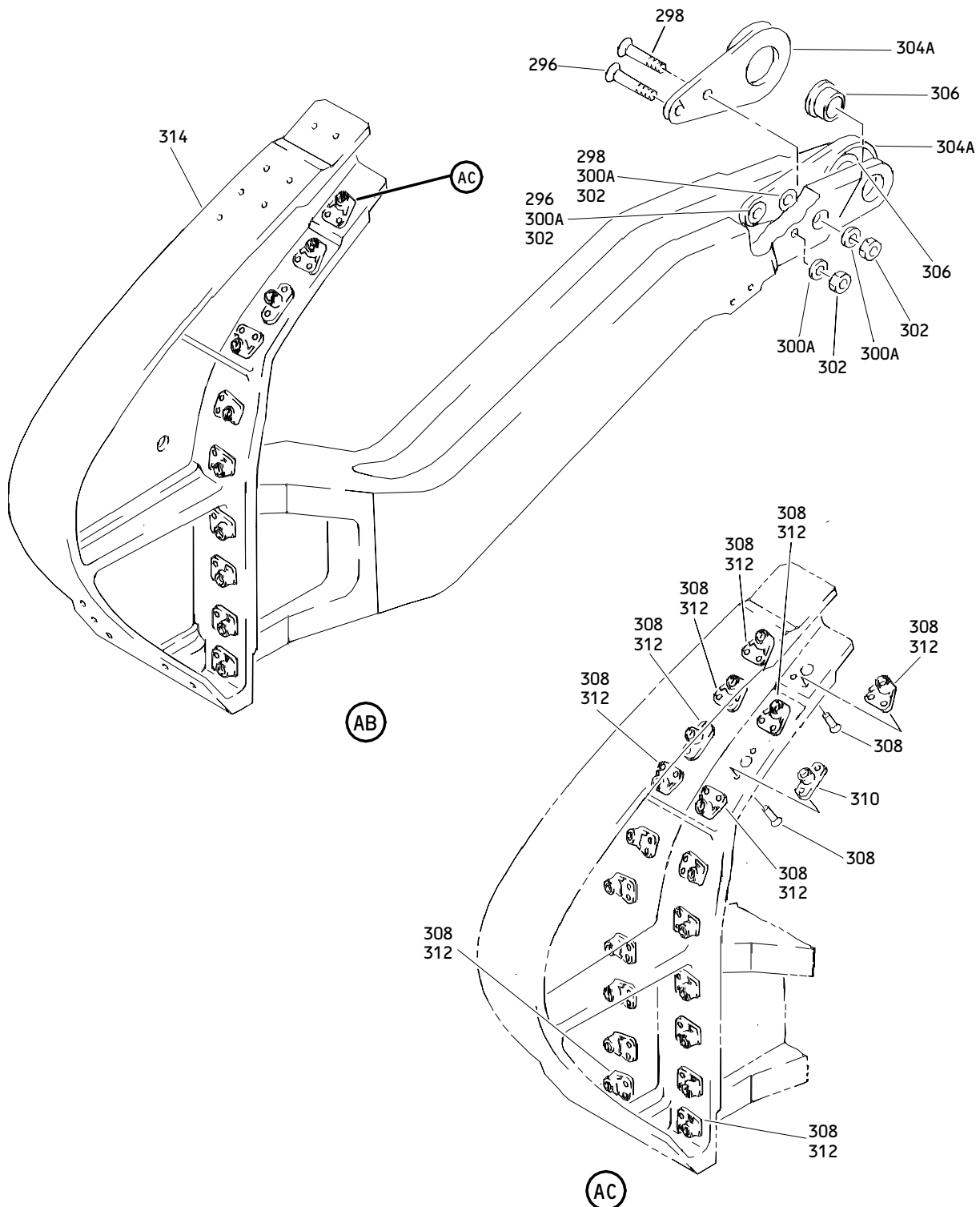
ILLUSTRATED PARTS LIST
 01.1 Page 1064B
 Jul 01/03



Inboard Slat No. 6 And 7 Wing Leading Edge Structure Assembly
Figure 1 (Sheet 23)

57-43-37

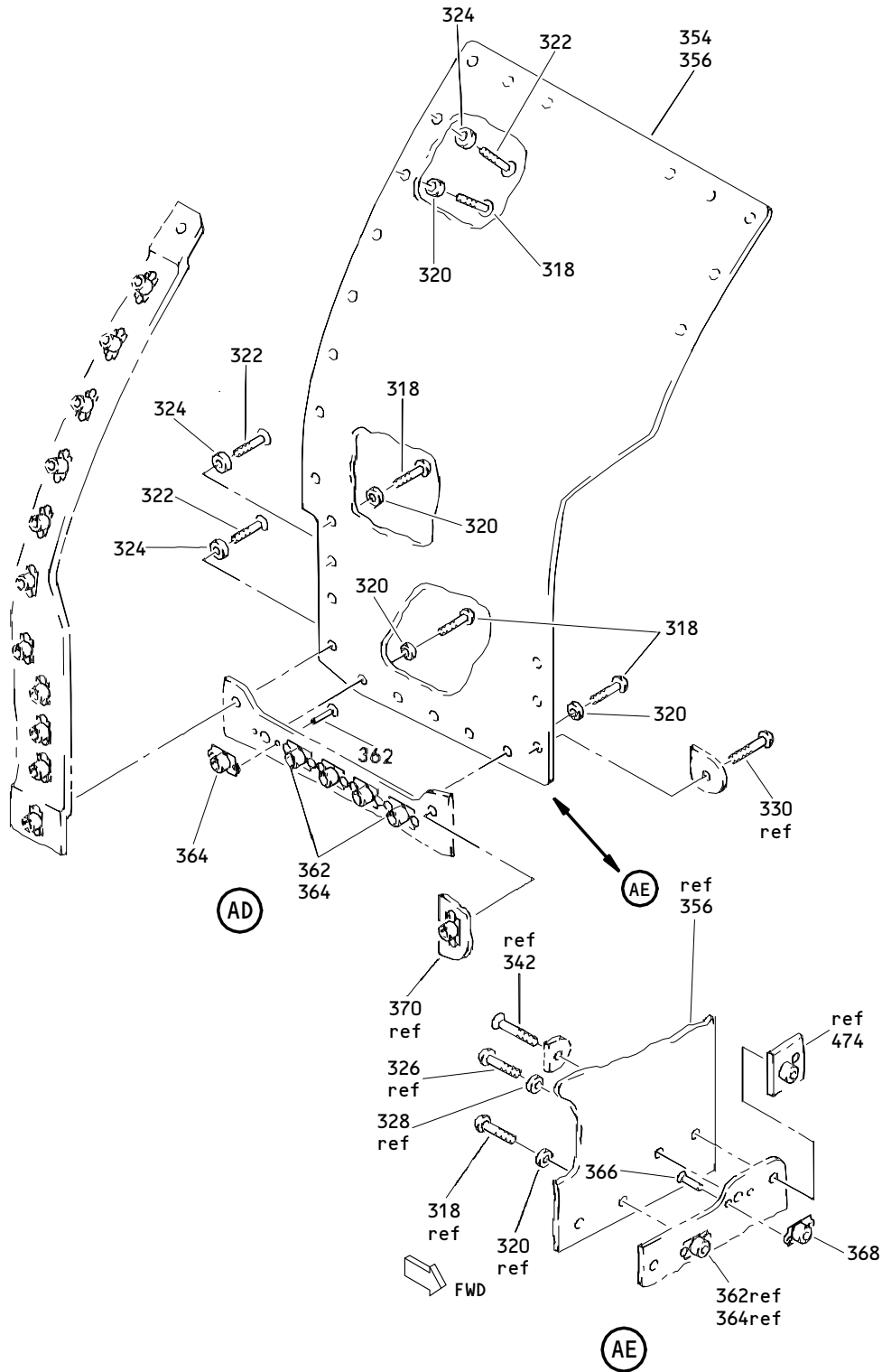
ILLUSTRATED PARTS LIST
01.1 Page 1064C
Jul 01/03



Inboard Slat No. 6 And 7 Wing Leading Edge Structure Assembly
 Figure 1 (Sheet 24)

57-43-37

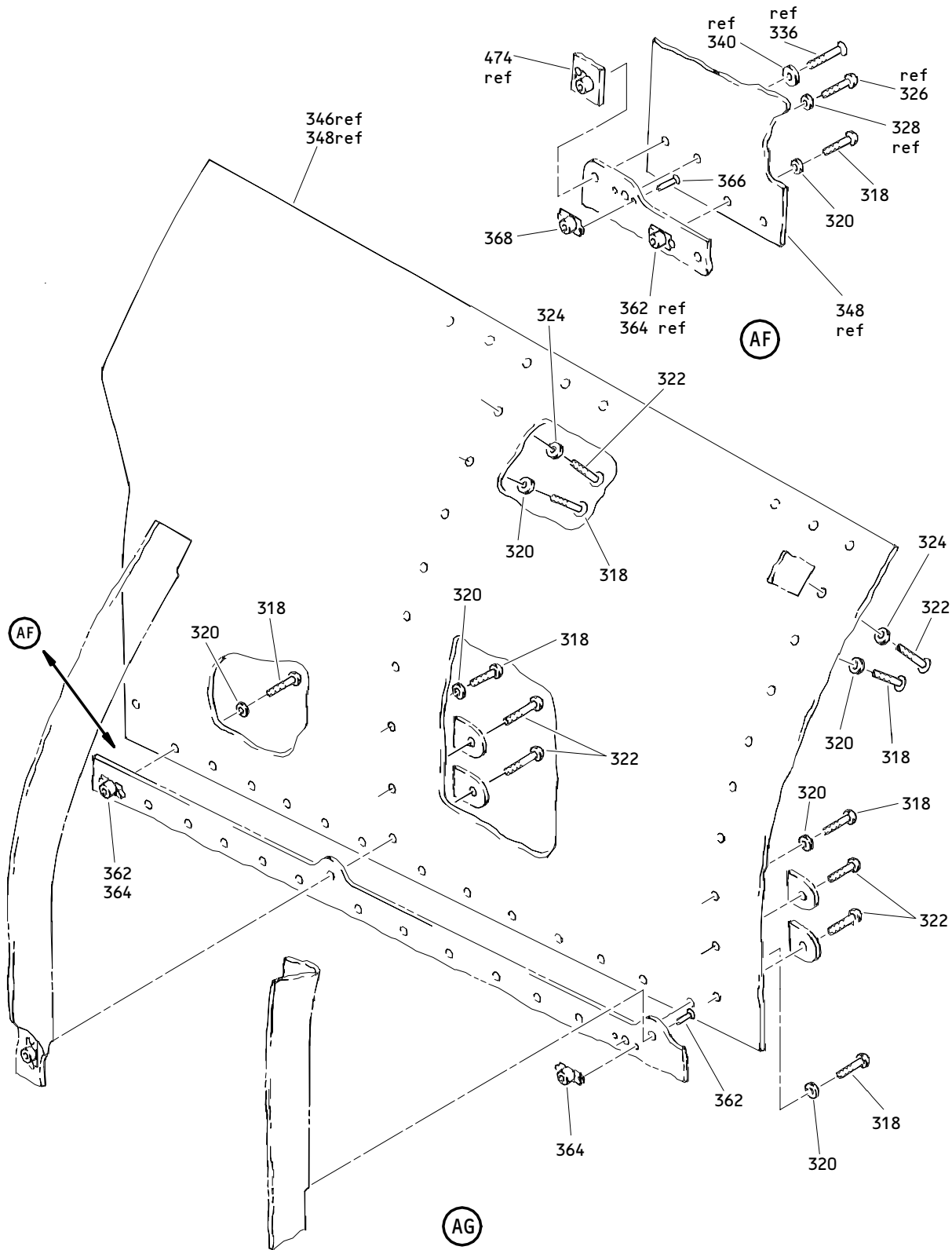
ILLUSTRATED PARTS LIST
 01.1 Page 1064D
 Jul 01/03



Inboard Slat No. 6 And 7 Wing Leading Edge Structure Assembly
 Figure 1 (Sheet 25)

57-43-37

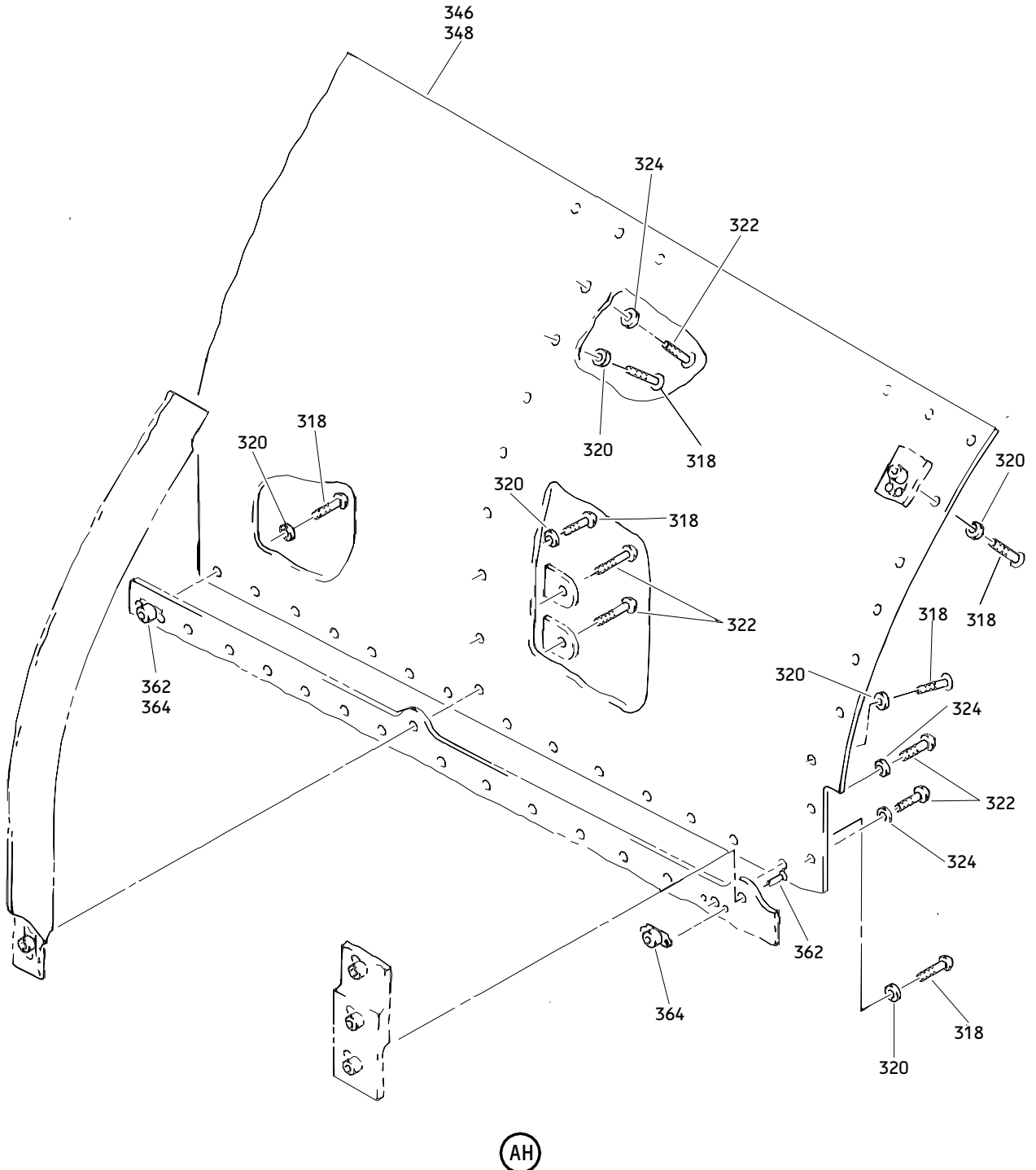
ILLUSTRATED PARTS LIST
 01.1 Page 1064E
 Jul 01/03



Inboard Slat No. 6 and 7 Wing Leading Edge Structure Assembly
 Figure 1 (Sheet 26)

57-43-37

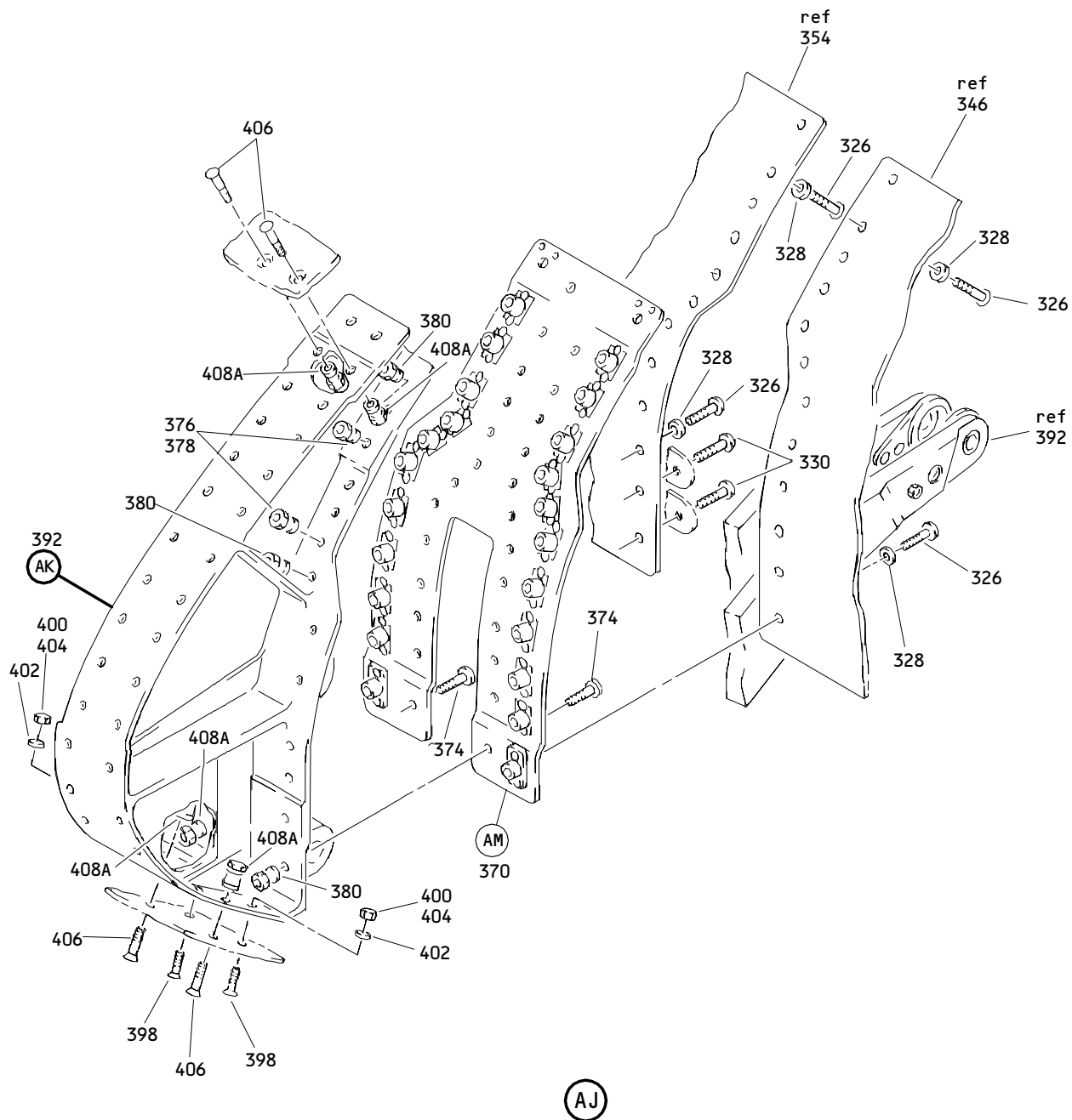
ILLUSTRATED PARTS LIST
 01.1 Page 1064F
 Jul 01/03



Inboard Slat No. 6 and 7 Wing Leading Edge Structure Assembly
Figure 1 (Sheet 27)

57-43-37

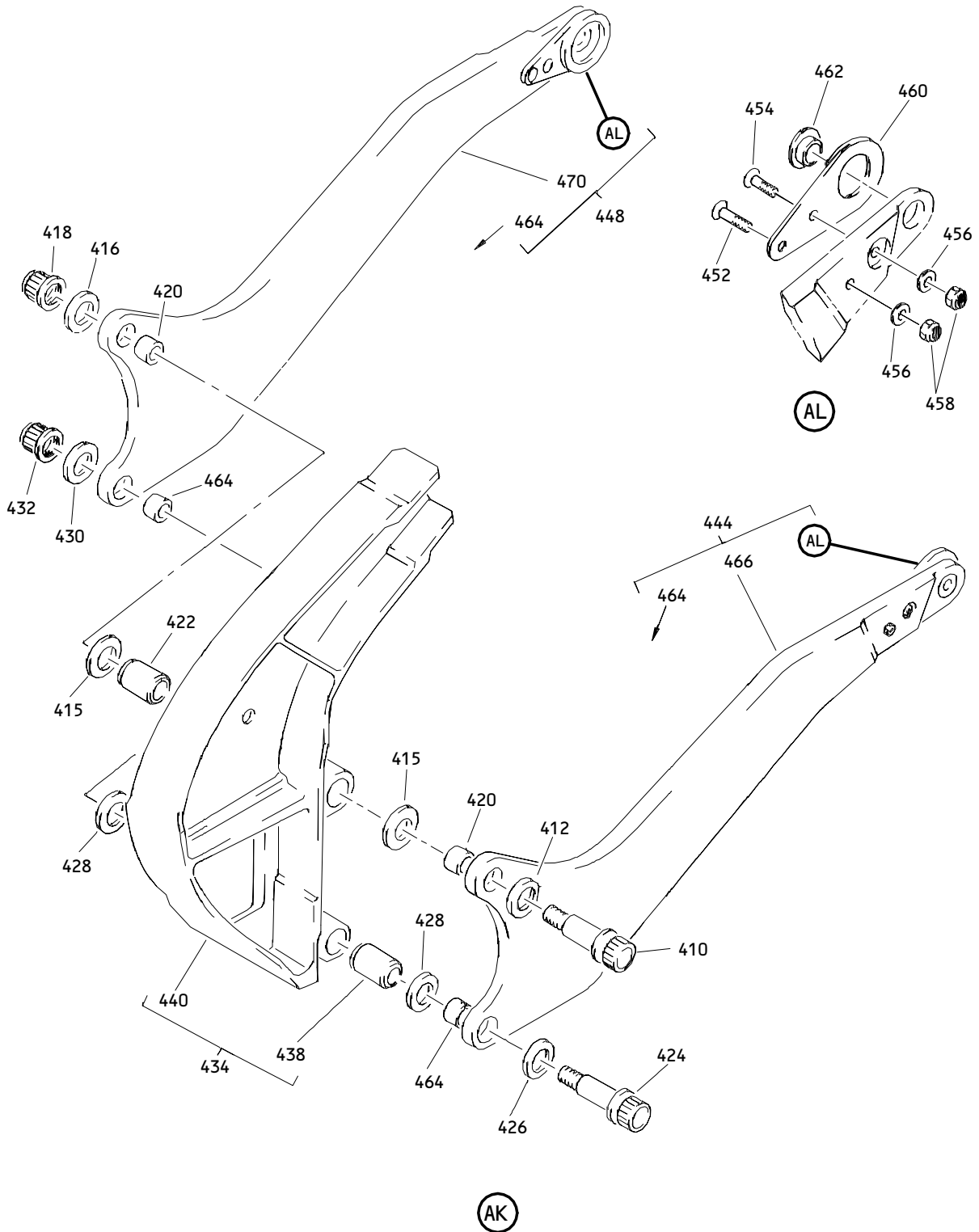
ILLUSTRATED PARTS LIST
01.1 Page 1064G
Jul 01/03



Inboard Slat No. 6 and 7 Wing Leading Edge Structure Assembly
 Figure 1 (Sheet 28)

57-43-37

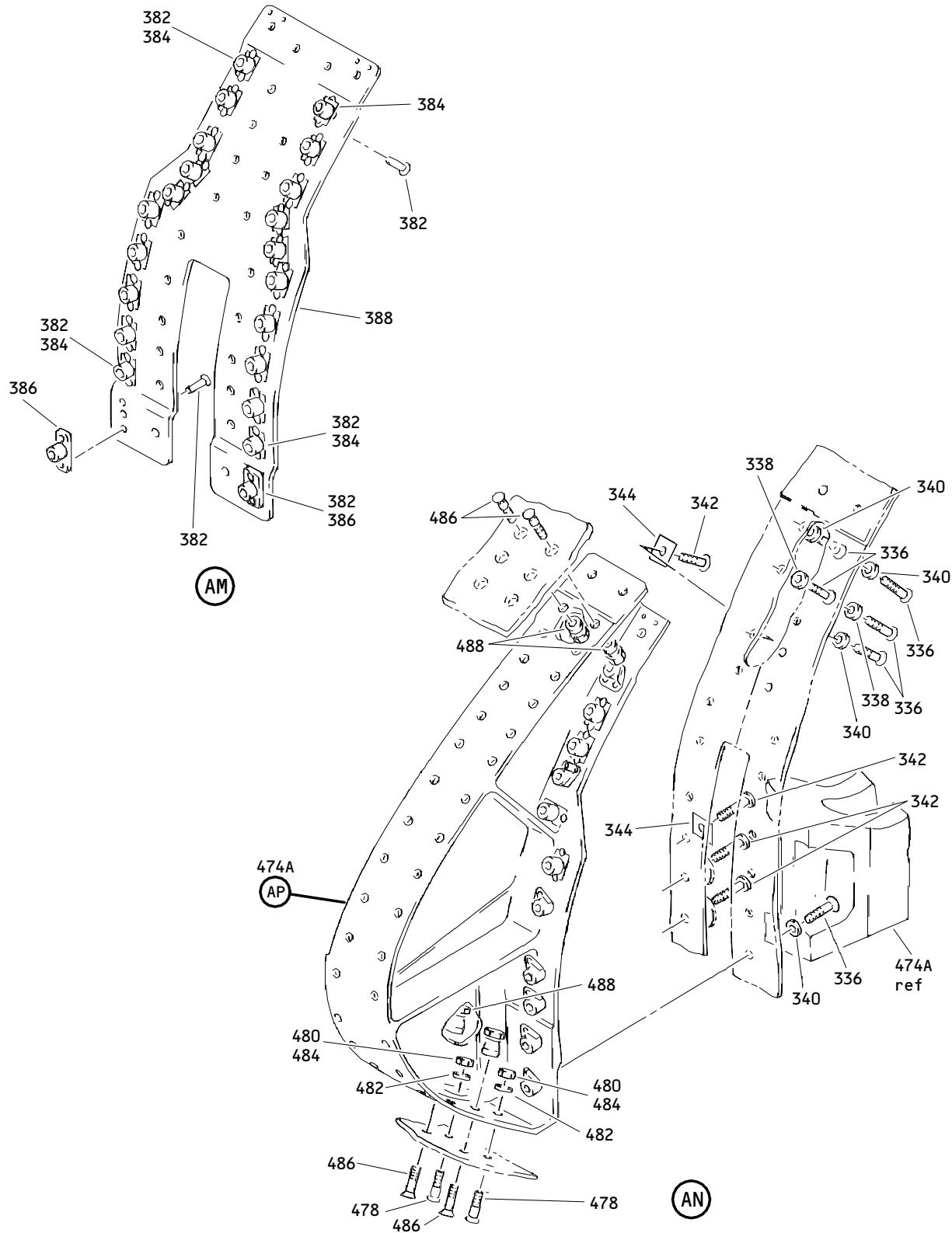
ILLUSTRATED PARTS LIST
 01.1 Page 1064H
 Jul 01/03



Inboard Slat No. 6 and 7 Wing Leading Edge Structure Assembly
Figure 1 (Sheet 29)

57-43-37

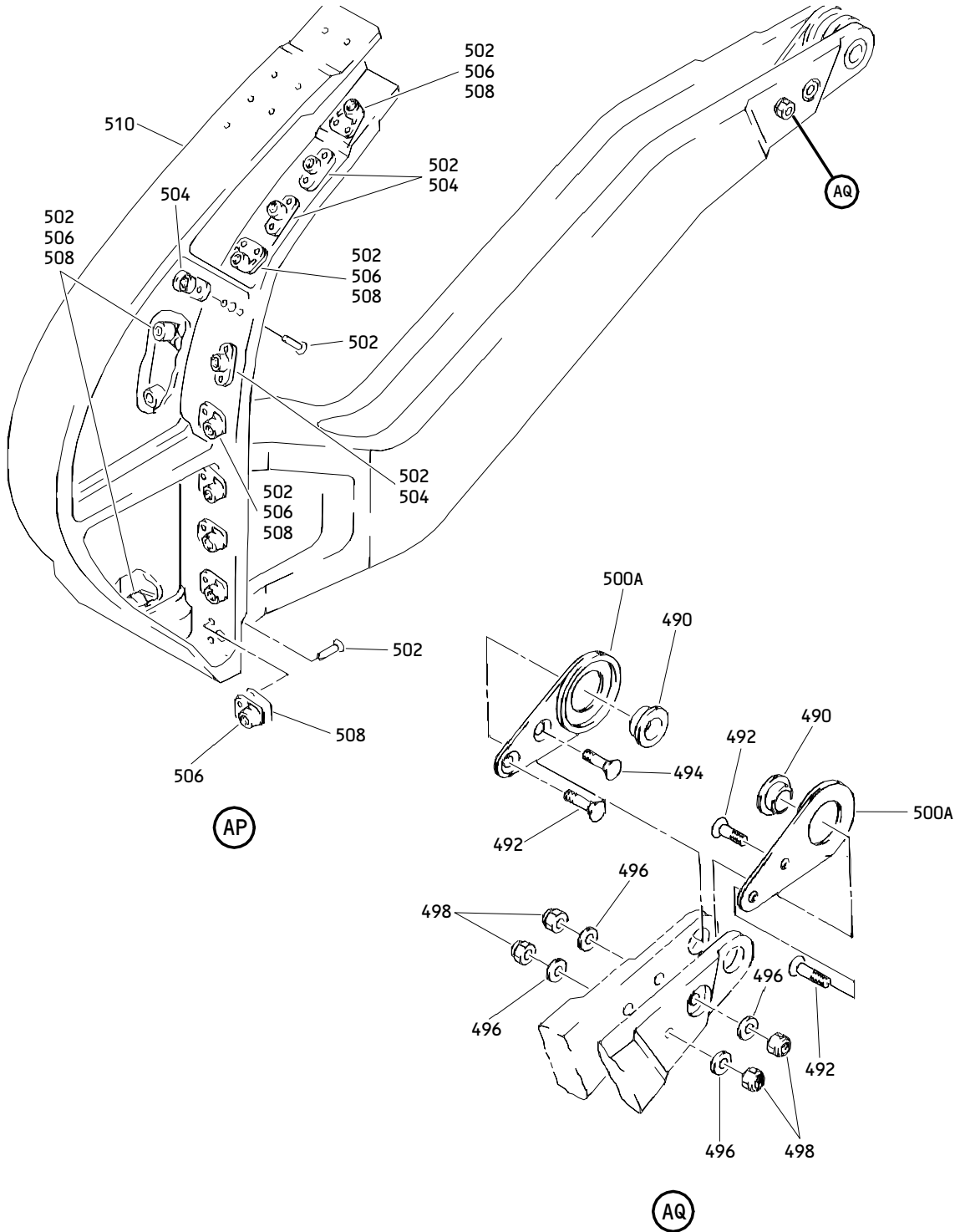
ILLUSTRATED PARTS LIST
01.1 Page 1064I
Jul 01/03



Inboard Slat No. 6 and 7 Wing Leading Edge Structure Assembly
 Figure 1 (Sheet 30)

57-43-37

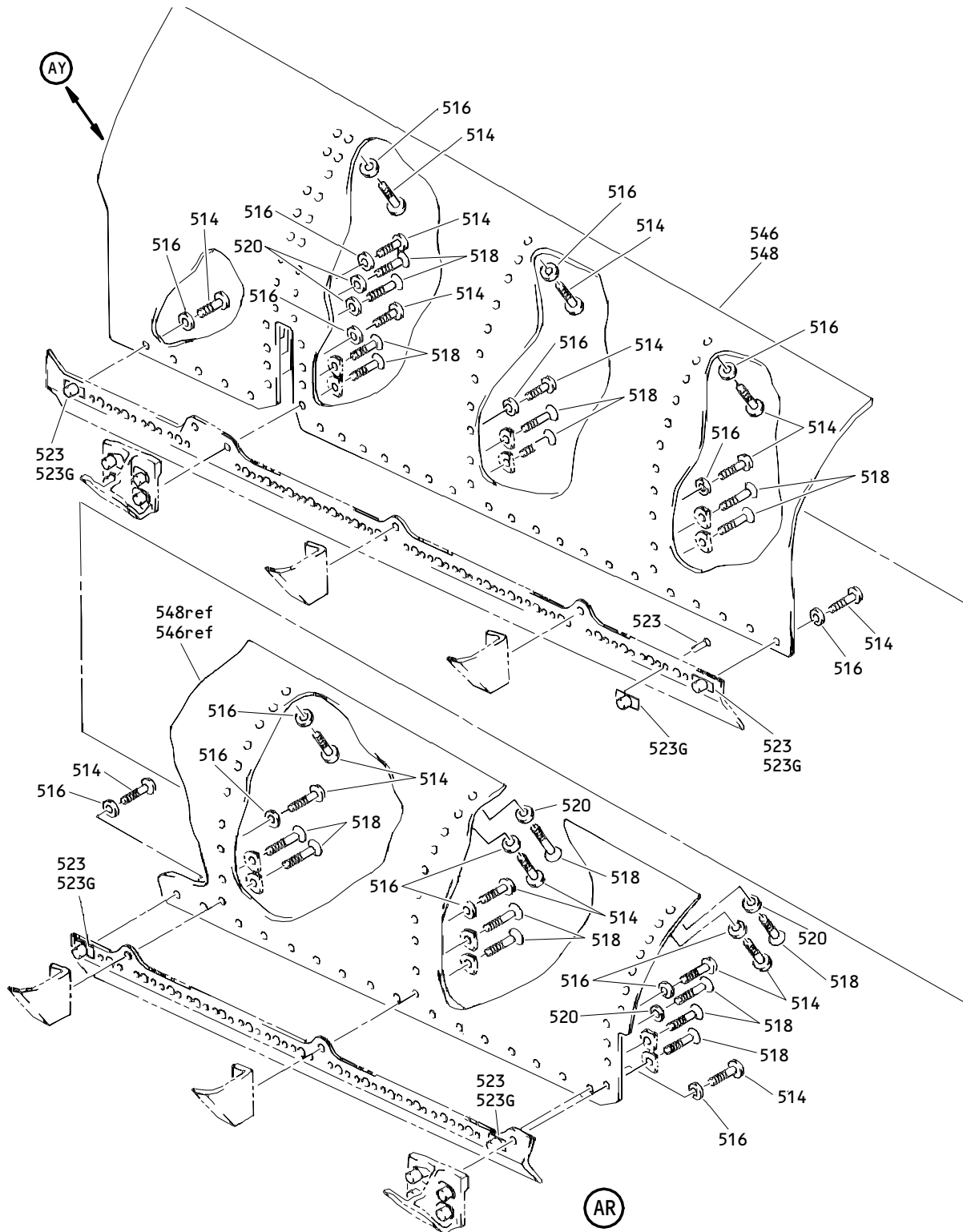
ILLUSTRATED PARTS LIST
 01.1 Page 1064J
 Jul 01/03



Inboard Slat No. 6 and 7 Wing Leading Edge Structure Assembly
Figure 1 (Sheet 31)

57-43-37

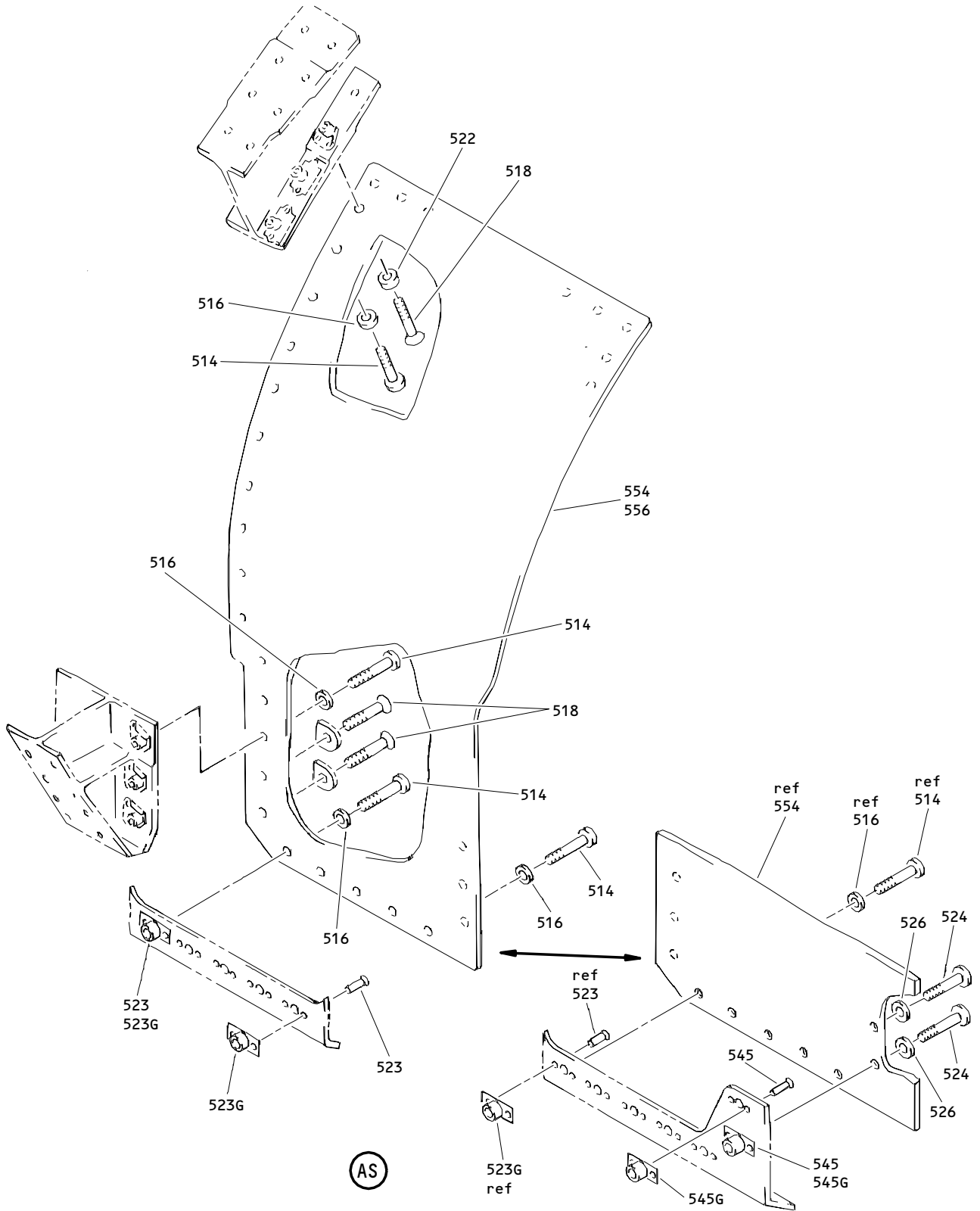
ILLUSTRATED PARTS LIST
01.1 Page 1064K
Jul 01/03



Inboard Slat No. 6 and 7 Wing Leading Edge Structure Assembly
 Figure 1 (Sheet 32)

57-43-37

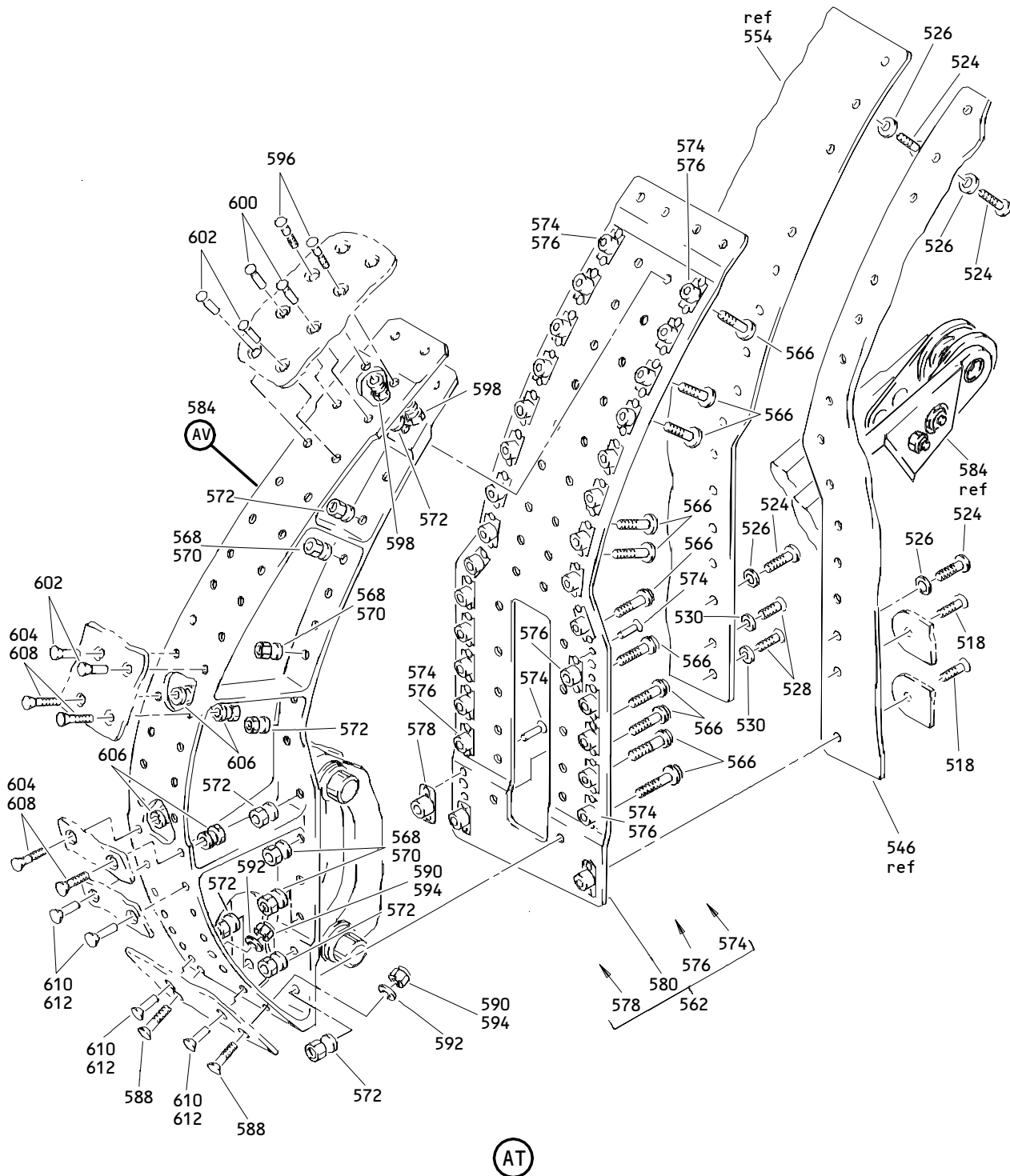
ILLUSTRATED PARTS LIST
 01.1 Page 1064L
 Jul 01/03



Inboard Slat No. 6 and 7 Wing Leading Edge Structure Assembly
Figure 1 (Sheet 33)

57-43-37

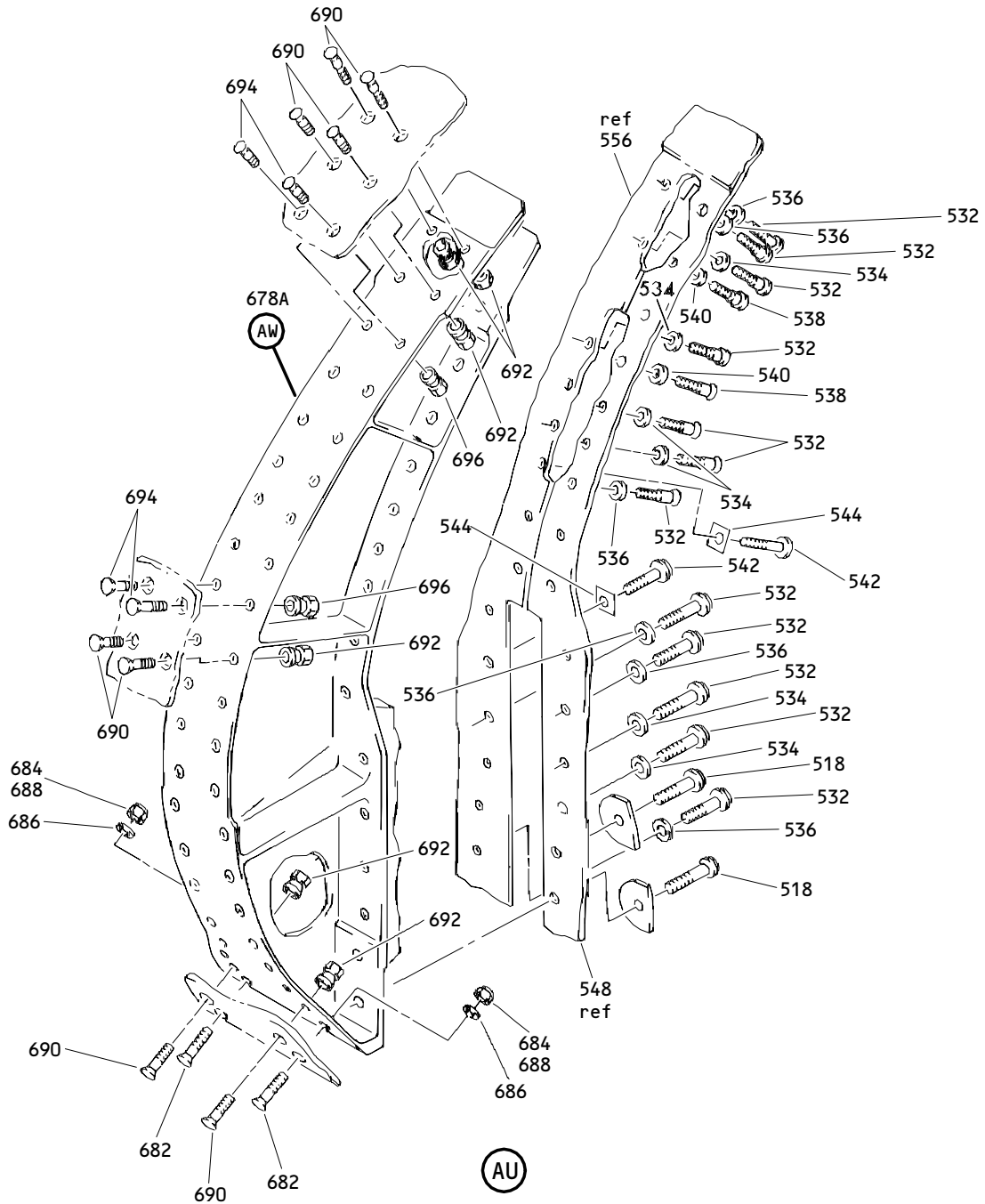
ILLUSTRATED PARTS LIST
01.1 Page 1064M
Jul 01/03



Inboard Slat No. 6 and 7 Wing Leading Edge Structure Assembly
 Figure 1 (Sheet 34)

57-43-37

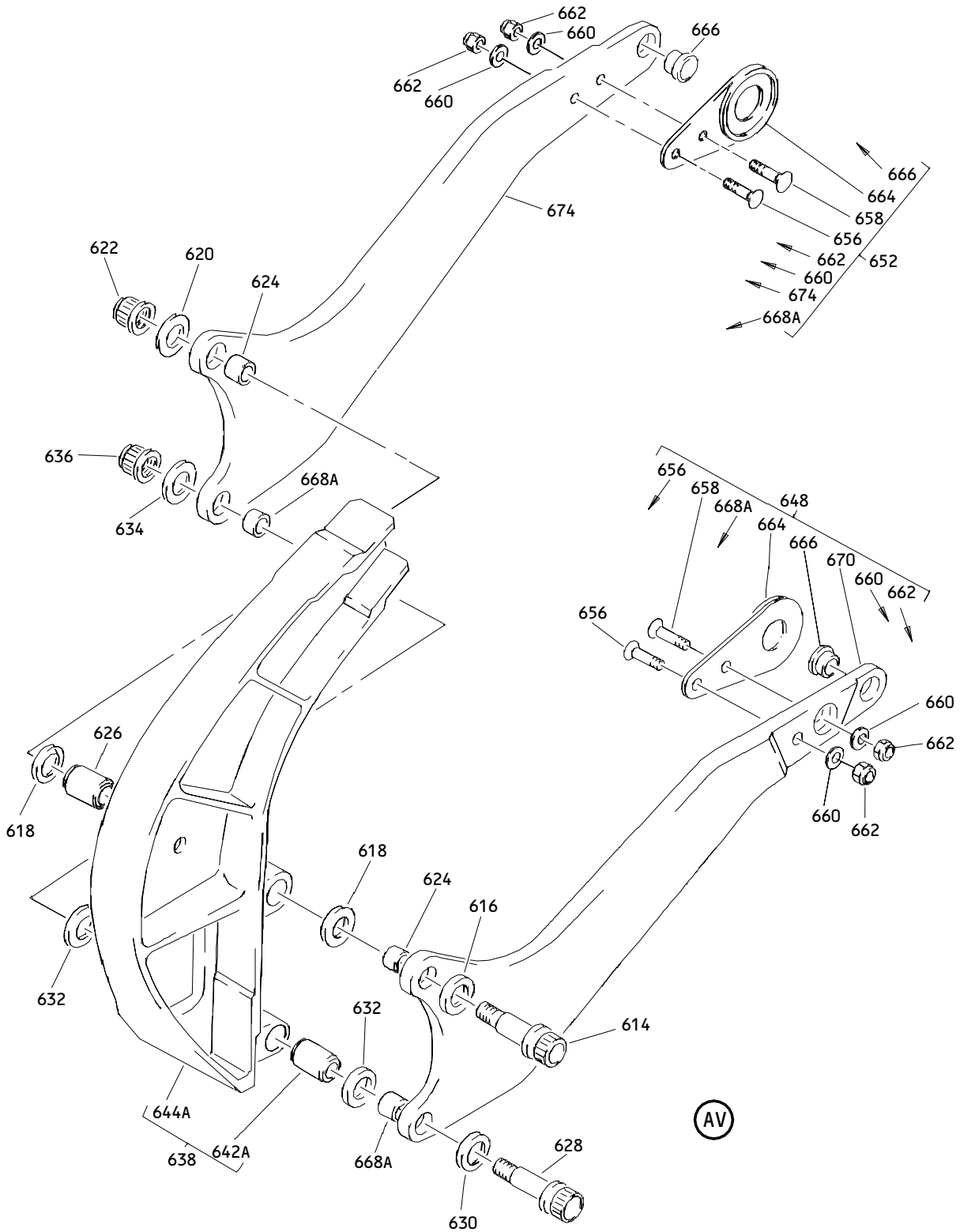
ILLUSTRATED PARTS LIST
 01.1 Page 1064N
 Jul 01/03



Inboard Slat No. 6 and 7 Wing Leading Edge Structure Assembly
Figure 1 (Sheet 35)

57-43-37

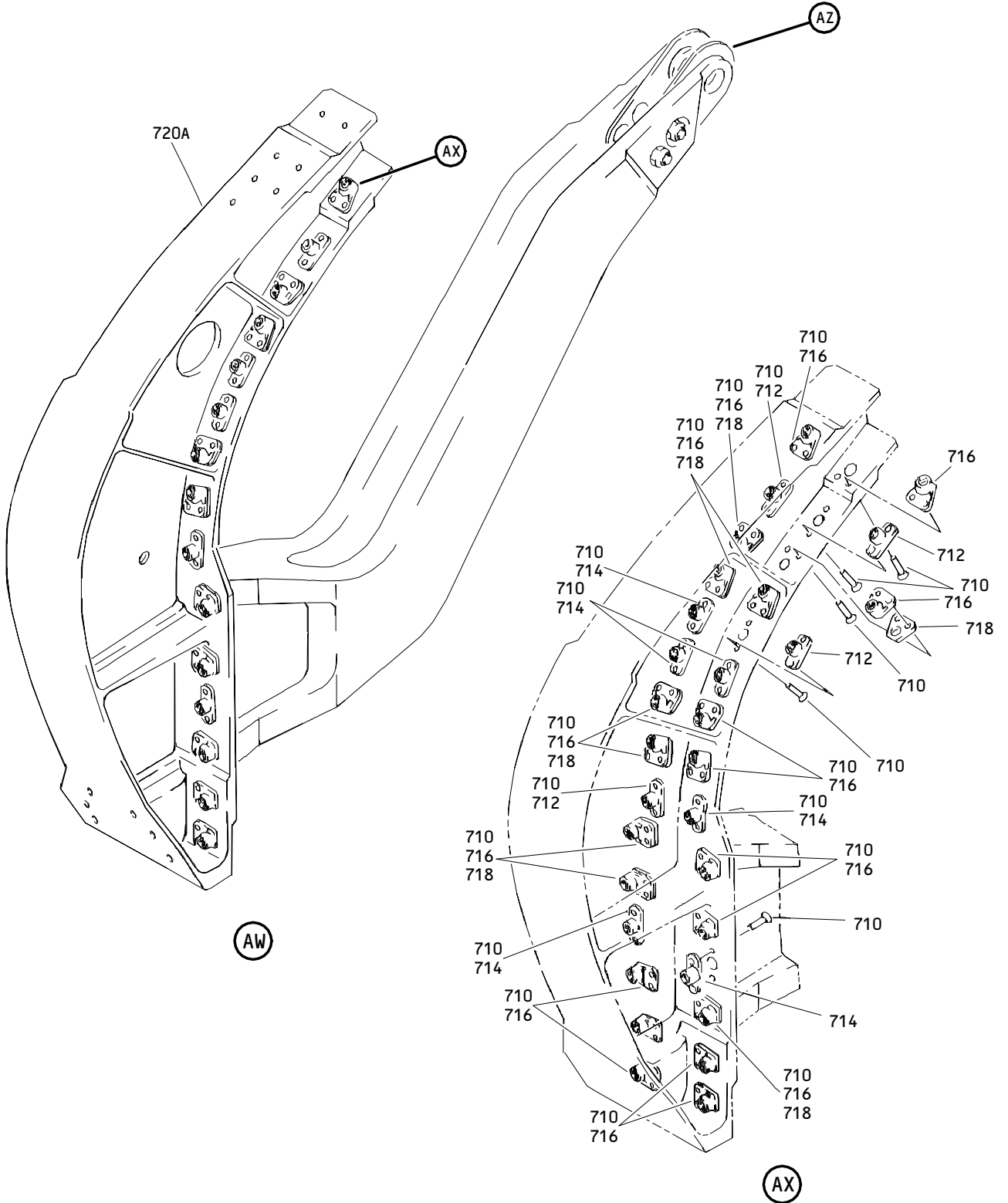
ILLUSTRATED PARTS LIST
01.1 Page 10640
Jul 01/03



Inboard Slat No. 6 and 7 Wing Leading Edge Structure Assembly
 Figure 1 (Sheet 36)

57-43-37

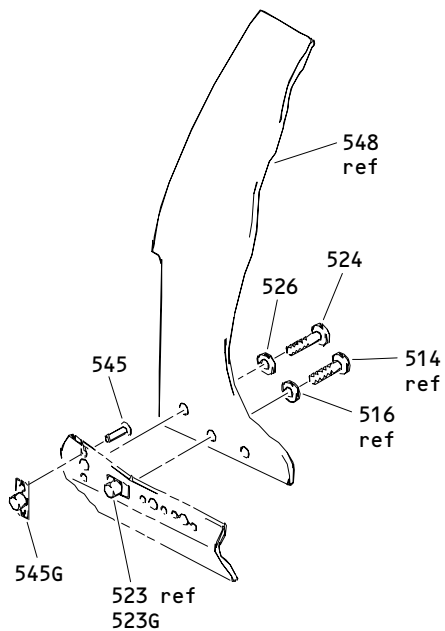
ILLUSTRATED PARTS LIST
 01.1 Page 1064P
 Jul 01/03



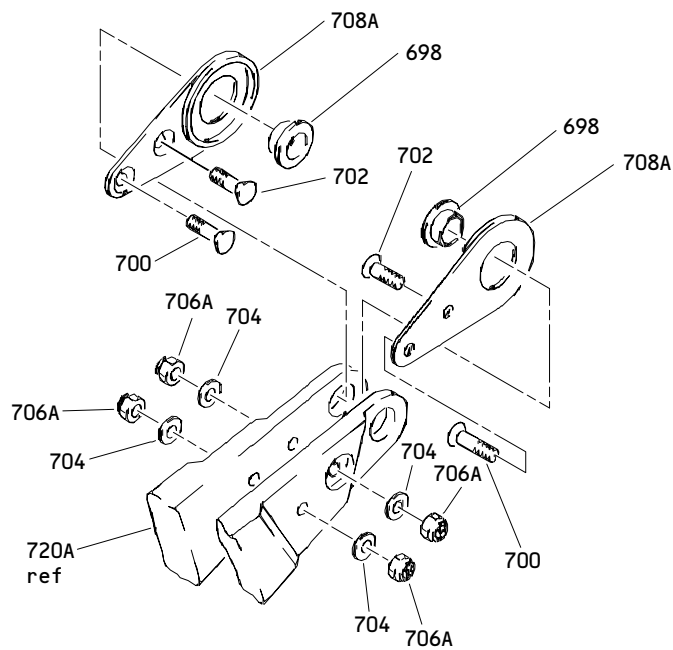
Inboard Slat No. 6 and 7 Wing Leading Edge Structure Assembly
Figure 1 (Sheet 37)

57-43-37

ILLUSTRATED PARTS LIST
01.1 Page 1064Q
Jul 01/03



(AY)

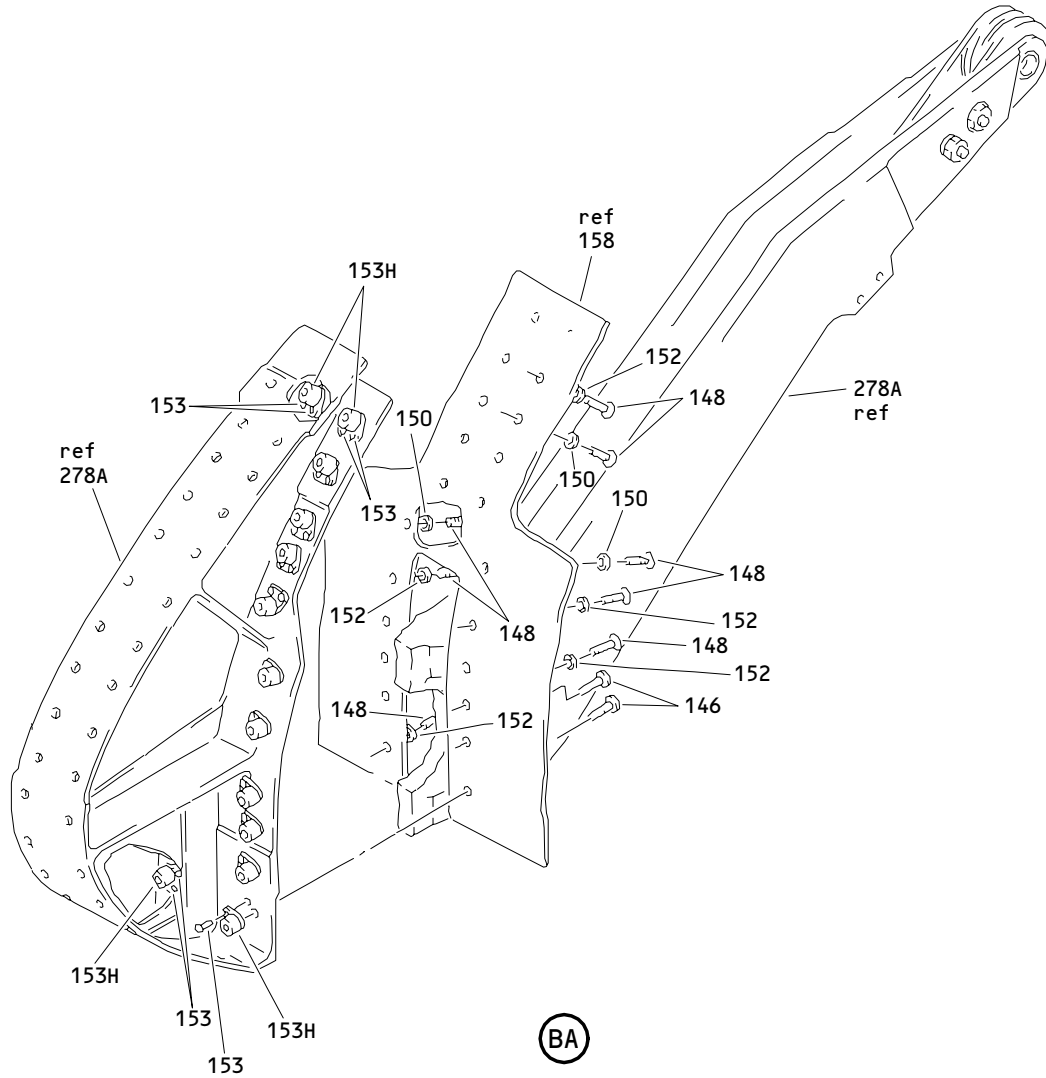


(AZ)

Inboard Slat No. 6 and 7 Wing Leading Edge Structure Assembly
 Figure 1 (Sheet 38)

57-43-37

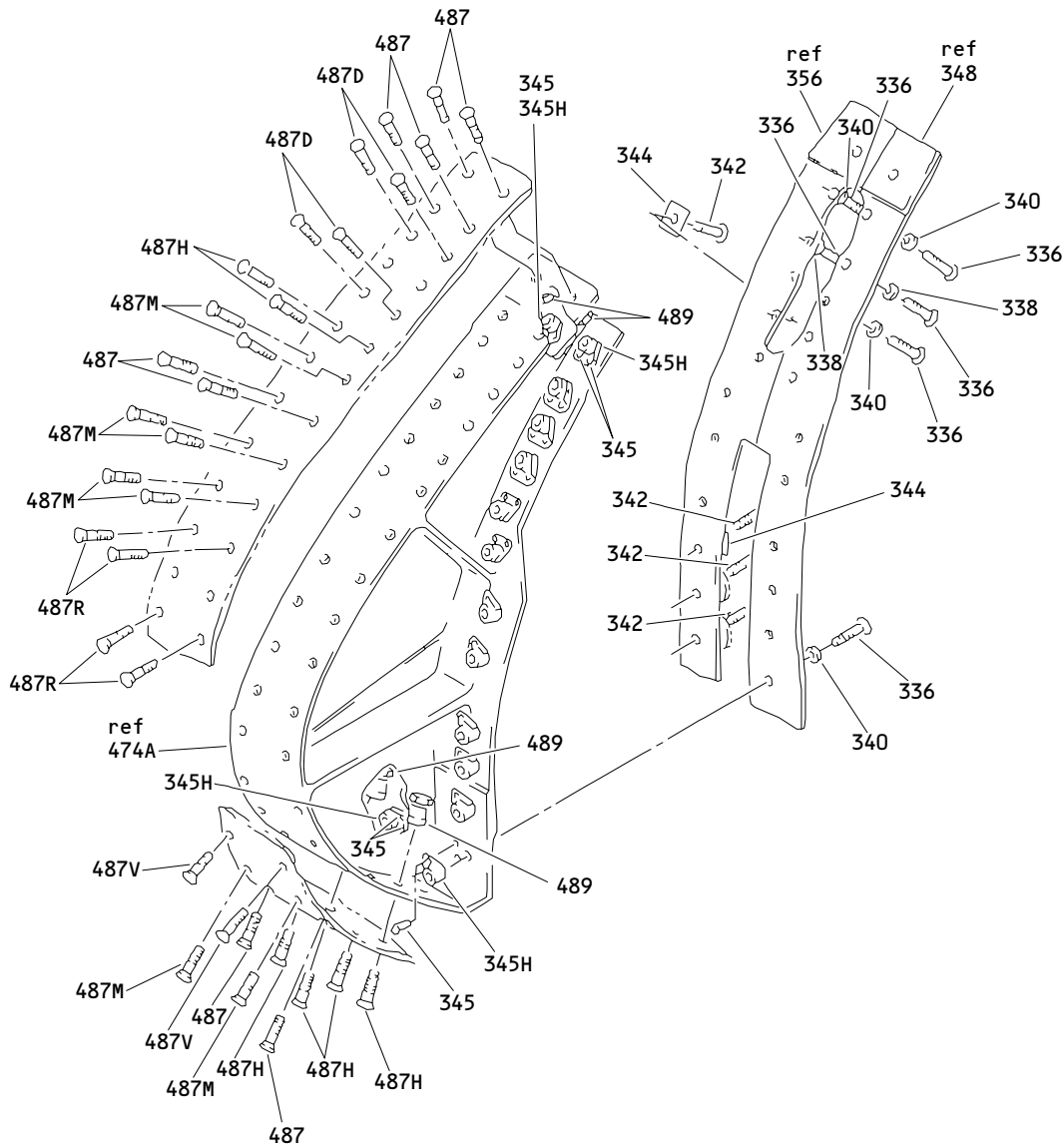
ILLUSTRATED PARTS LIST
 01.1 Page 1064R
 Jul 01/03



Inboard Slat No. 6 and 7 Wing Leading Edge Structure Assembly
Figure 1 (Sheet 39)

57-43-37

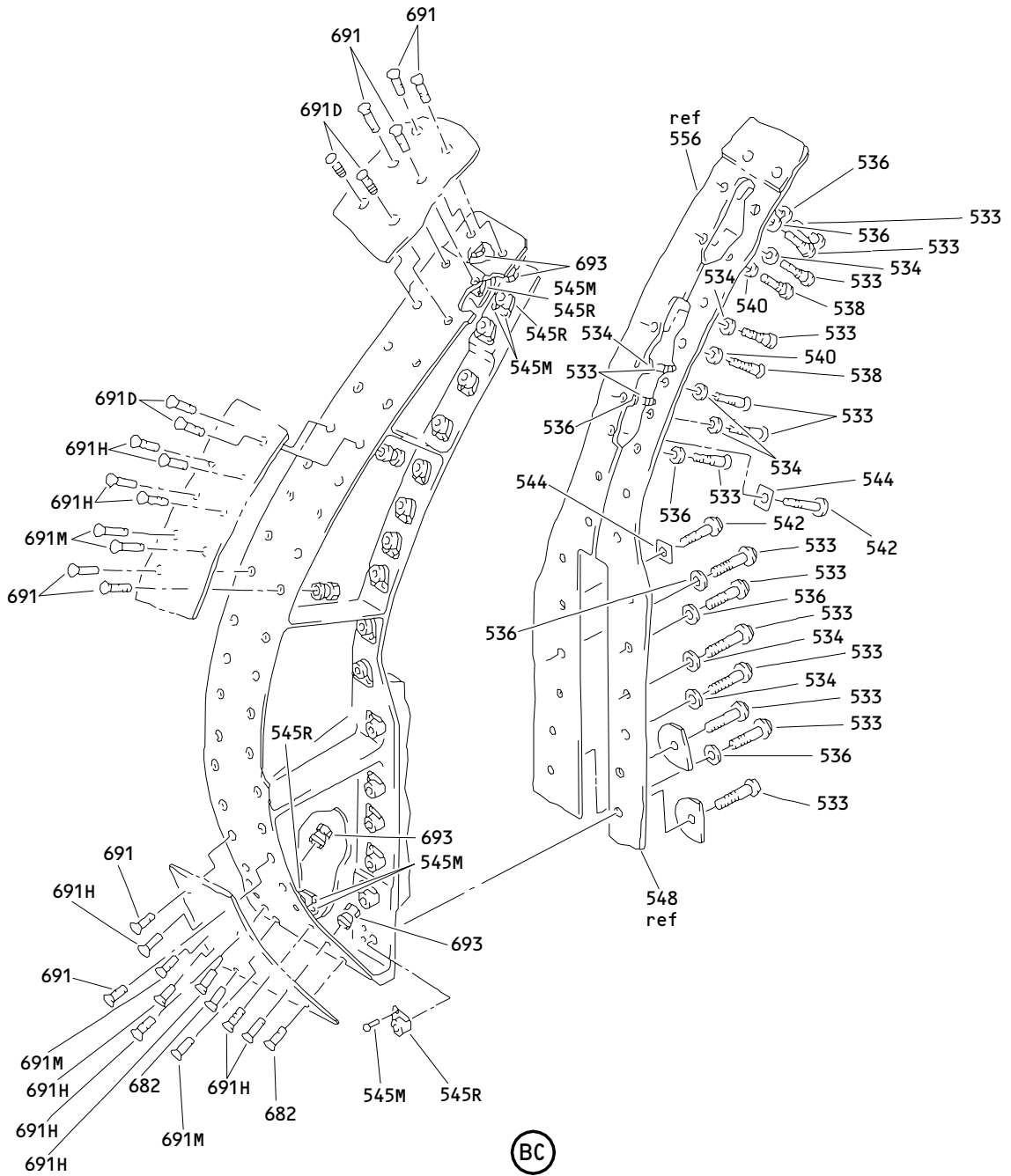
ILLUSTRATED PARTS LIST
01.1 Page 1064S
Jul 01/03



Inboard Slat No. 6 and 7 Wing Leading Edge Structure Assembly
 Figure 1 (Sheet 40)

57-43-37

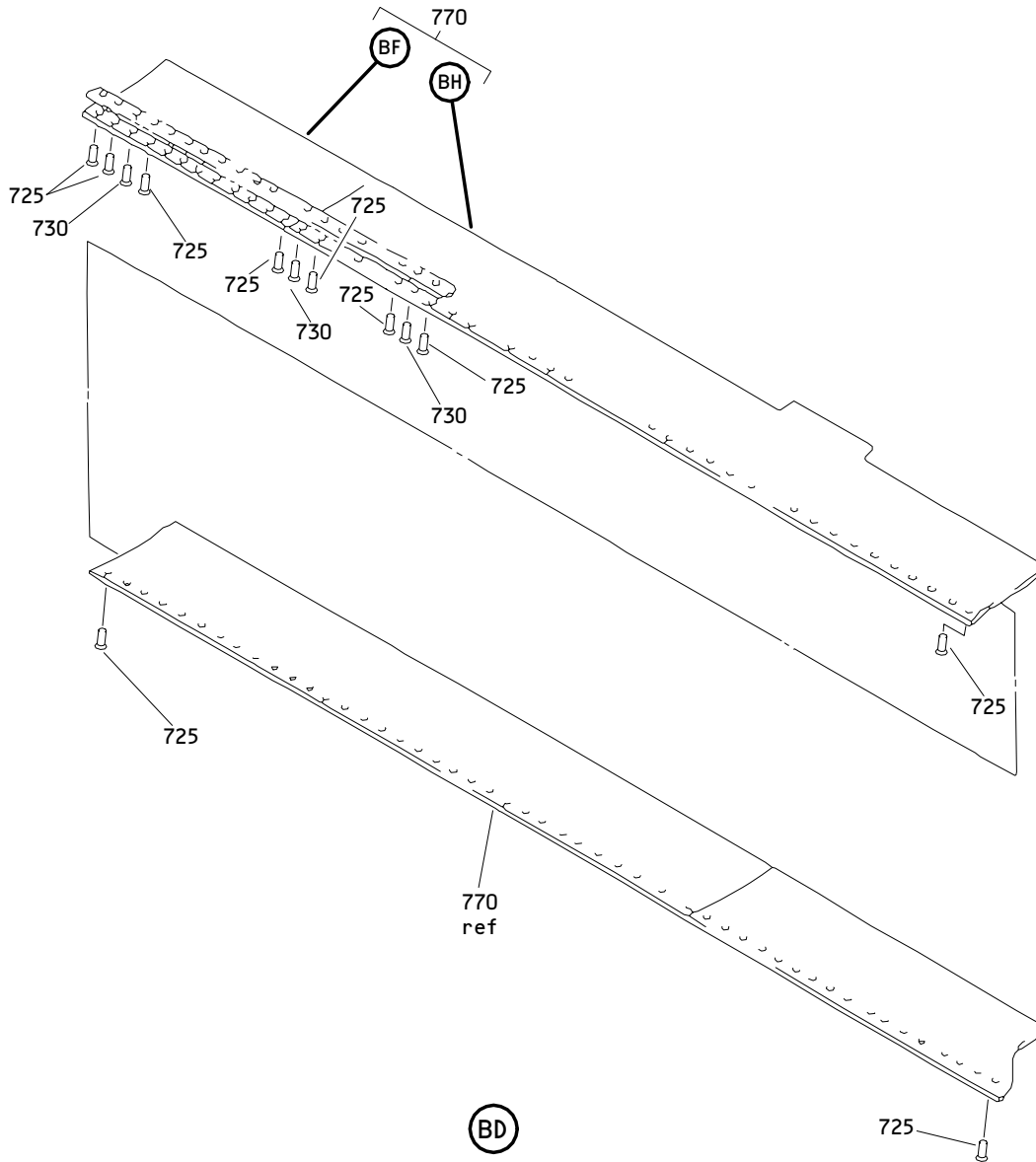
ILLUSTRATED PARTS LIST
 01.1 Page 1064T
 Jul 01/03



Inboard Slat No. 6 and 7 Wing Leading Edge Structure Assembly
Figure 1 (Sheet 41)

57-43-37

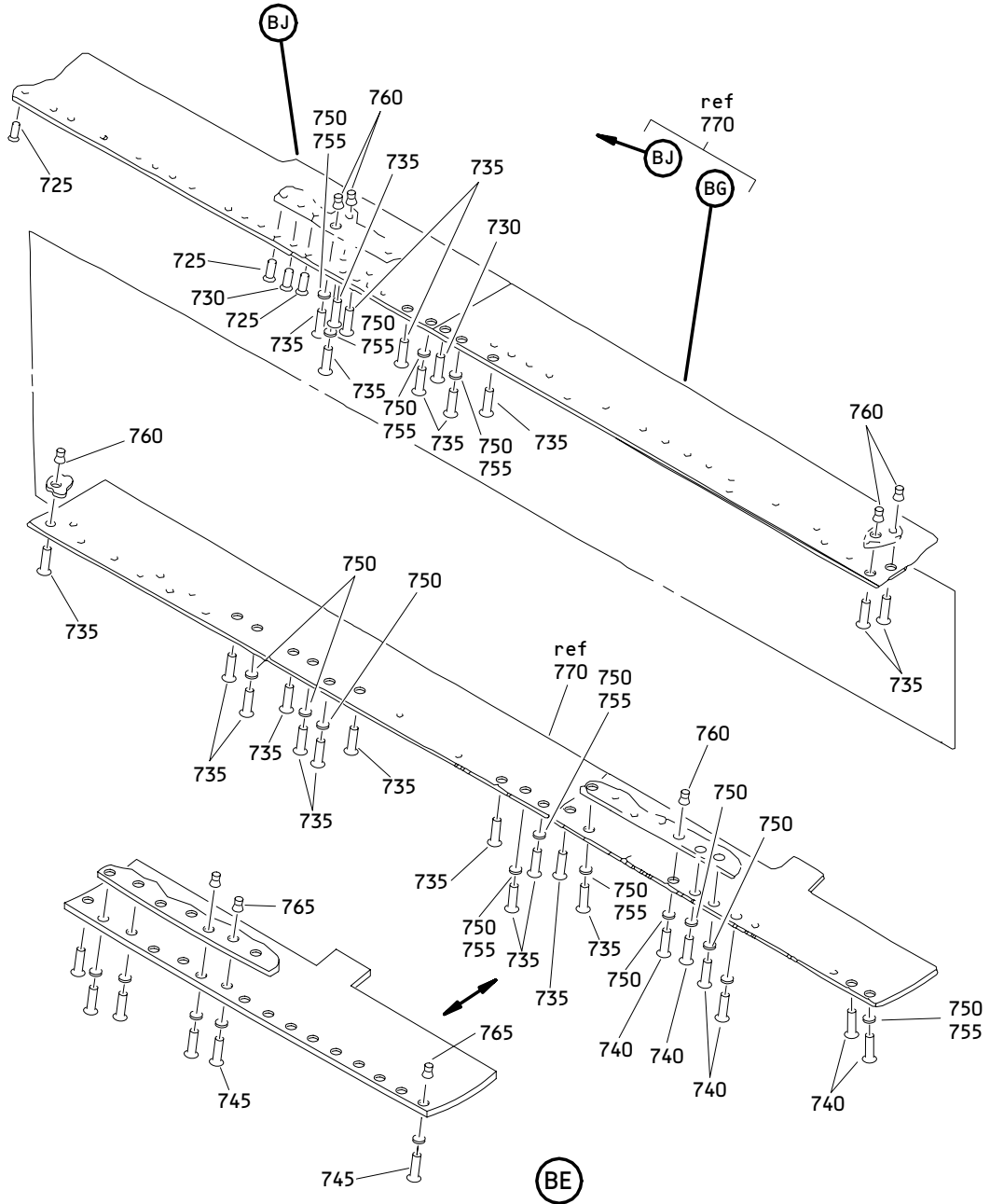
ILLUSTRATED PARTS LIST
01.1 Page 1064U
Jul 01/03



Inboard Slat No. 6 and 7 Wing Leading Edge Structure Assembly
Figure 1 (Sheet 42)

57-43-37

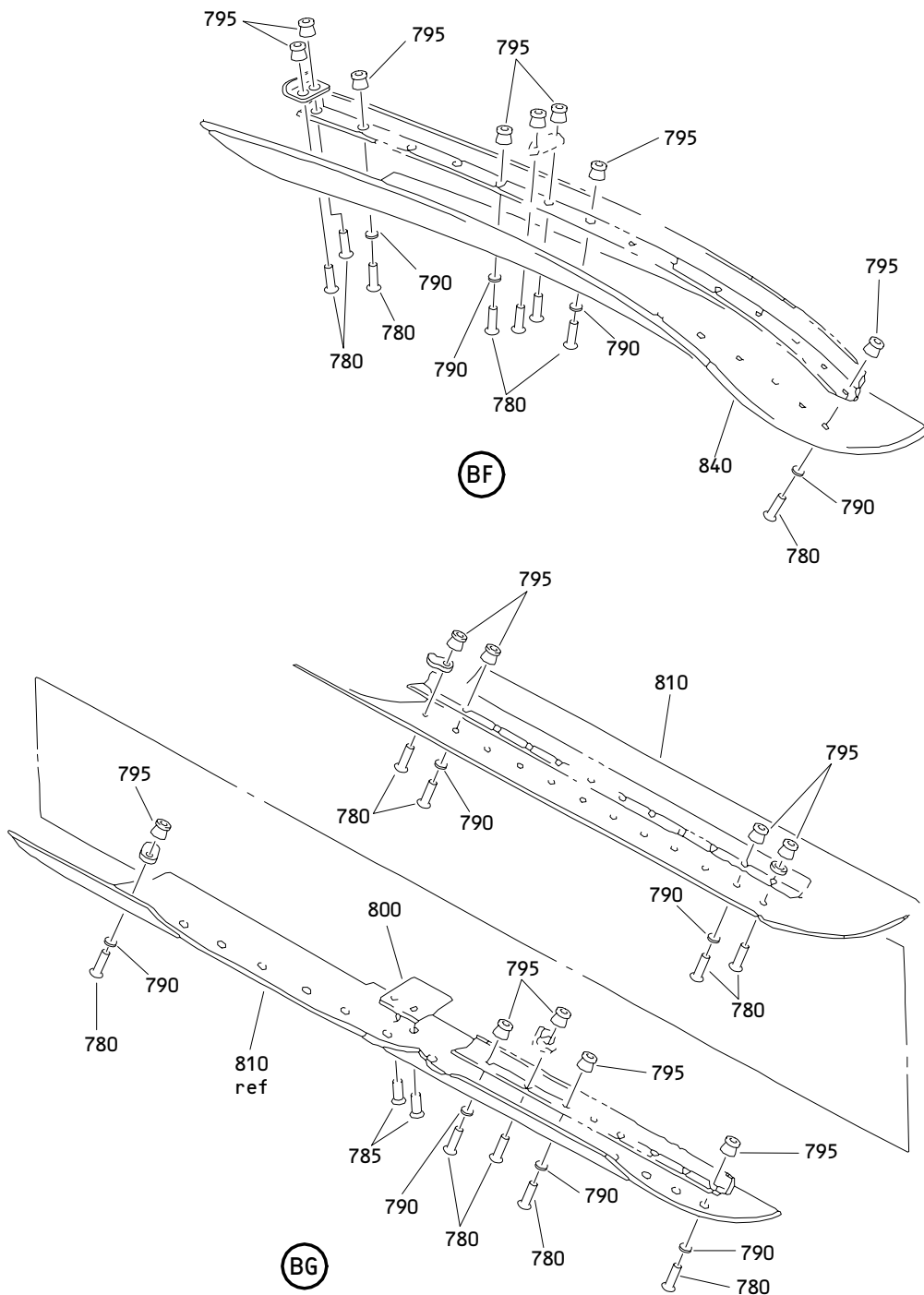
ILLUSTRATED PARTS LIST
01.1 Page 1064V
Jul 01/03



Inboard Slat No. 6 and 7 Wing Leading Edge Structure Assembly
Figure 1 (Sheet 43)

57-43-37

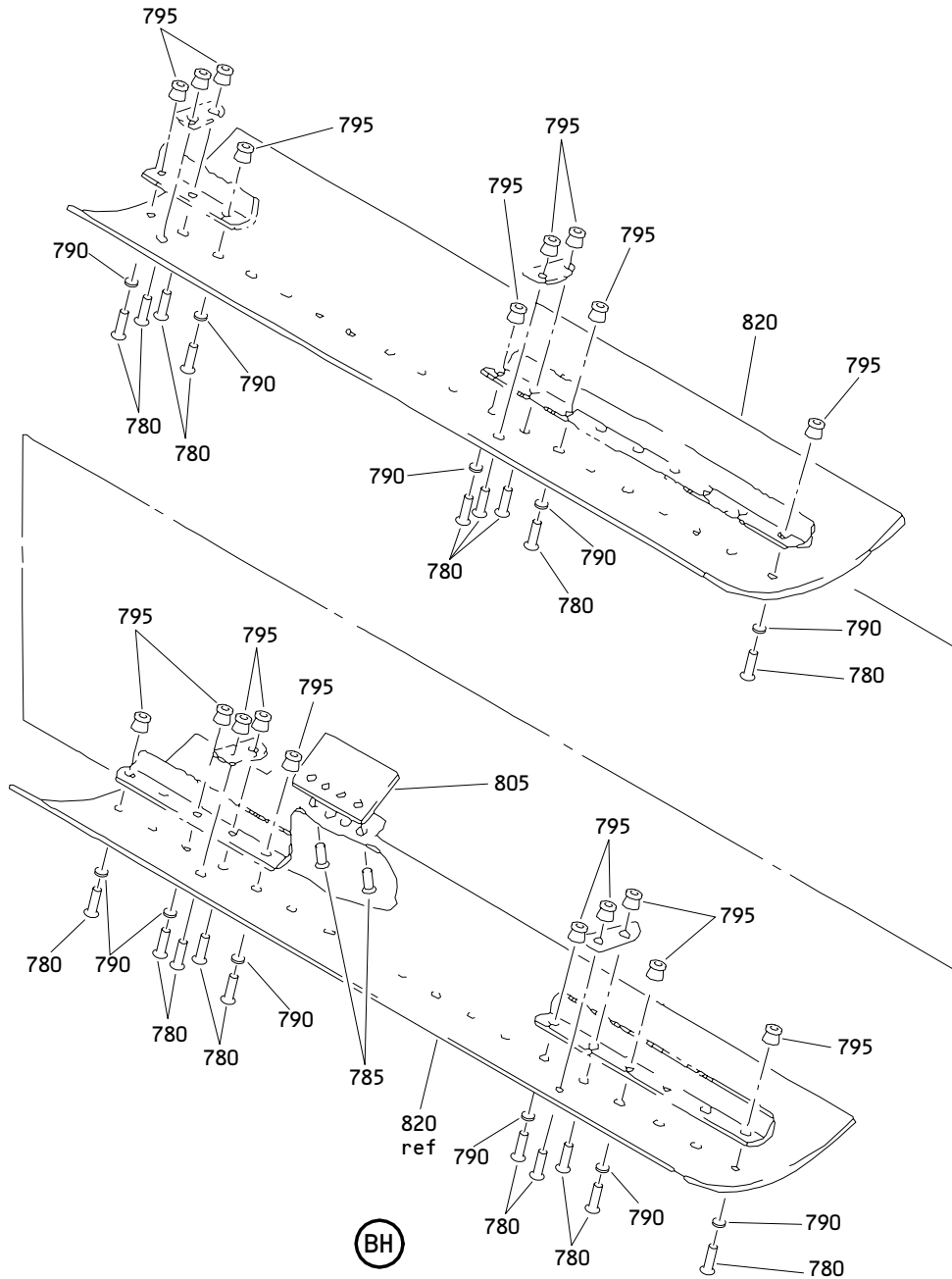
ILLUSTRATED PARTS LIST
01.1 Page 1064W
Jul 01/03



Inboard Slat No. 6 and 7 Wing Leading Edge Structure Assembly
 Figure 1 (Sheet 44)

57-43-37

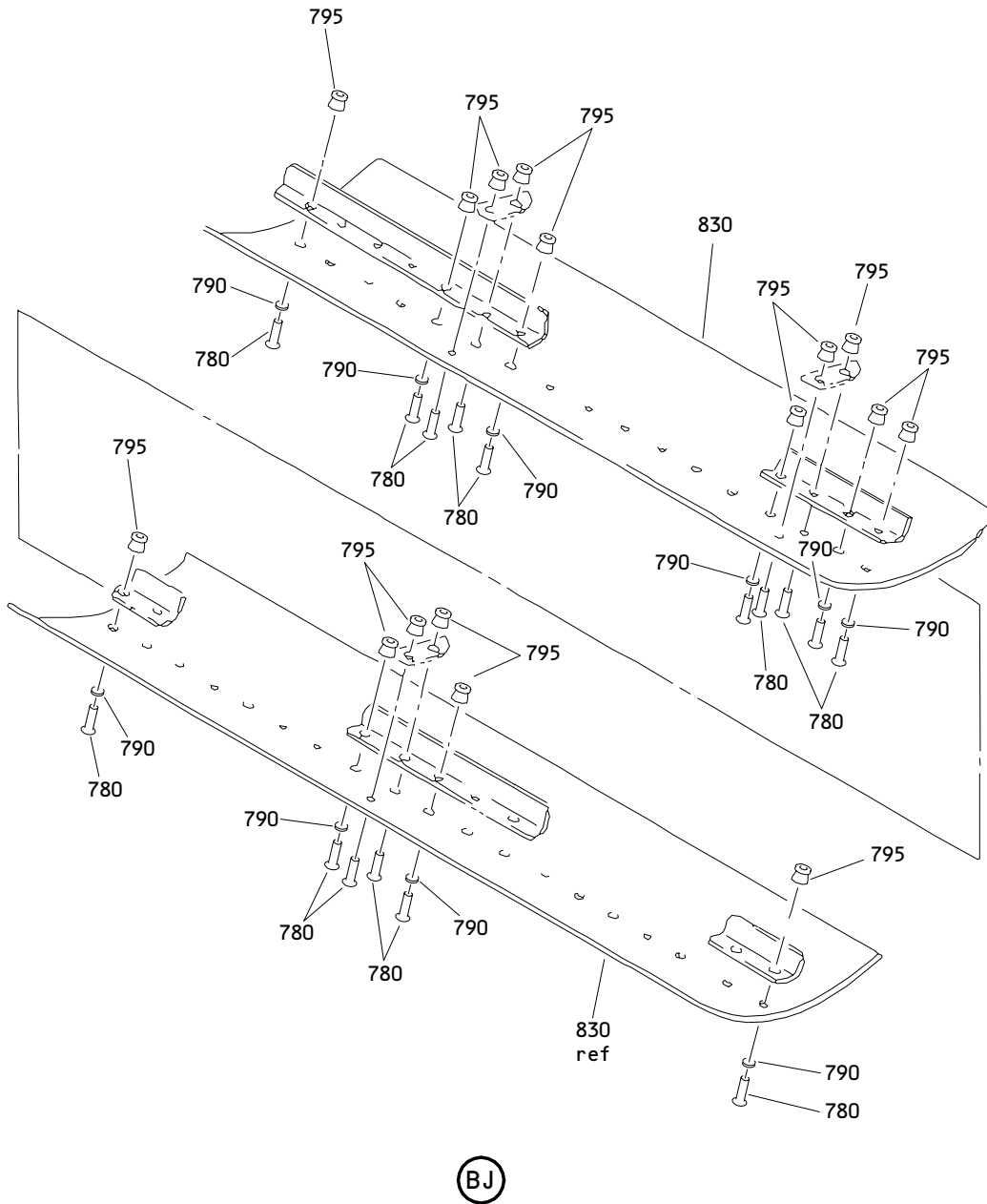
ILLUSTRATED PARTS LIST
 01.1 Page 1064X
 Jul 01/03



Inboard Slat No. 6 and 7 Wing Leading Edge Structure Assembly
Figure 1 (Sheet 45)

57-43-37

ILLUSTRATED PARTS LIST
01.1 Page 1064Y
Jul 01/03



Inboard Slat No. 6 and 7 Wing Leading Edge Structure Assembly
Figure 1 (Sheet 46)

57-43-37

ILLUSTRATED PARTS LIST
01.1 Page 1064Z
Jul 01/03

| FIG. & ITEM | PART NO. | AIRLINE PART NUMBER | NOMENCLATURE 1234567 | EFF CODE | QTY PER ASSY |
|------------------|------------------------------|---------------------|--|----------|--------------|
| 01- -1 -1A | 114T3100-1SP 114T3100-11 | | DELETED STRUCTURE ASSY-SLAT NO. 6 INBD LE (VARIABLE) (LH) (PRE SB 767-57A0057) (FOR ADDITIONAL DETAILS SEE FIG. 2) | M | RF |
| -1B -1C | 114T3100-13SP 114T3100-15 | | DELETED STRUCTURE ASSY-SLAT NO. 6 INBD LE (VARIABLE) (LH) (PRE SB 767-57A0057) (FOR ADDITIONAL DETAILS SEE FIG. 2) | P | RF |
| -1D | 114T3100-17 | | STRUCTURE ASSY-SLAT NO. 6 INBD LE (VARIABLE) (LH) (PRE SB 767-57A0057) (FOR DETAILS SEE FIG. 5) | R | RF |
| -1E -1F | 114T3100-21SP 114T3100-23 | | DELETED STRUCTURE ASSY-SLAT NO. 6 INBD LE (VARIABLE) (LH) (PRE SB 767-57A0057) (FOR DETAILS SEE FIG. 5) | V | RF |
| -1G | 114T3100-25 | | STRUCTURE ASSY-SLAT NO. 6 INBD LE (VARIABLE) (LH) (PRE SB 767-57A0057) (FOR ADDITIONAL DETAILS SEE FIG. 2) | K | RF |
| -1H | 114T3100-27 | | STRUCTURE ASSY-SLAT NO. 6 INBD LE (LH) (POST SB 767-32-0107) (PRE SB 767-57A0057) (FOR DETAILS SEE FIG. 7 AND FIG. 8) | X | RF |
| -1J -1K | 114T3100-29 114T3100-31 | | DELETED STRUCTURE ASSY-SLAT NO. 6 INBD LE (VARIABLE) (LH) (PRE SB 767-57A0057) (FOR DETAILS SEE FIG. 5) | Z | RF |
| -1L | 114T3100-33 | | STRUCTURE ASSY-SLAT NO. 6 INBD LE (VARIABLE) (LH) (PRE SB 767-57A0057) (FOR ADDITIONAL DETAILS SEE FIG. 2) | AD | RF |

57-43-37

| FIG. & ITEM | PART NO. | AIRLINE PART NUMBER | NOMENCLATURE 1234567 | EFF CODE | QTY PER ASSY |
|-------------|--------------|---------------------|--|----------|--------------|
| 01- -1M | 114T3100-35 | | STRUCTURE ASSY-SLAT NO. 6 INBD LE (VARIABLE) (LH) (PRE SB 767-57A0057) (FOR DETAILS SEE FIG. 7 AND FIG. 8) | AF | RF |
| -1N | 015T0165-9 | | SLAT ASSY-NO. 6 AND NO. 7 WING LE TOP KIT (LH) (POST SB 767-32-0095) (PRE SB 767-57A0057) (FOR ADDITIONAL DETAILS SEE FIG. 2) | AH | RF |
| -1P | 114T3100-37 | | STRUCTURE ASSY-SLAT NO. 6 INBD LE (LH) (PRE SB 767-57A0057) (FOR DETAILS SEE FIG. 7 AND FIG. 8) | AK | RF |
| -1Q | 114T3100-39 | | STRUCTURE ASSY-SLAT NO. 6 INBD LE (VARIABLE) (LH) (PRE SB 767-57A0057) (FOR DETAILS SEE FIG. 5) | AL | RF |
| -1R | 114T3100-41 | | STRUCTURE ASSY-SLAT NO. 6 INBD LE (VARIABLE) (LH) (FOR DETAILS SEE FIG. 5) | E | RF |
| -1S | 114T3100-43 | | DELETED | | |
| -1T | 114T3100-45 | | DELETED | | |
| -1U | 114T3100-47 | | DELETED | | |
| -1V | 015T1507-601 | | STRUCTURE ASSY-SLAT NO. 6 INBD LE (LH) (POST SB 767-57A0057) (FOR ADDITIONAL DETAILS SEE FIG. 2) | AQ | RF |
| -1W | 015T1507-603 | | STRUCTURE ASSY-SLAT NO. 6 INBD LE (LH) (POST SB 767-57A0057) (FOR ADDITIONAL DETAILS SEE FIG. 2) | AR | RF |
| -1X | 015T1507-605 | | STRUCTURE ASSY-SLAT NO. 6 INBD LE (LH) (POST SB 767-57A0057) (FOR ADDITIONAL DETAILS SEE FIG. 2) | AS | RF |

57-43-37

 ILLUSTRATED PARTS LIST
 01.1 Page 1066
 Jul 01/03

| FIG. & ITEM | PART NO. | AIRLINE PART NUMBER | NOMENCLATURE 1234567 | EFF CODE | QTY PER ASSY |
|-------------|--------------|---------------------|--|----------|--------------|
| 01- -1Y | 015T1507-641 | | STRUCTURE ASSY-SLAT NO. 6 INBD LE (LH) (POST SB 767-57A0057) (FOR ADDITIONAL DETAILS SEE FIG. 2) | AT | RF |
| -1Z | 015T1507-643 | | STRUCTURE ASSY-SLAT NO. 6 INBD LE (LH) (POST SB 767-57A0057) (FOR ADDITIONAL DETAILS SEE FIG. 2) | AU | RF |
| -2 | 015T1507-645 | | STRUCTURE ASSY-SLAT NO. 6 INBD LE (LH) (POST SB 767-57A0057) (FOR ADDITIONAL DETAILS SEE FIG. 2) | AV | RF |
| -2A | 015T1507-607 | | STRUCTURE ASSY-SLAT NO. 6 INBD LE (LH) (POST SB 767-57A0057) (FOR ADDITIONAL DETAILS SEE FIG. 2) | AW | RF |
| -2B | 015T1507-647 | | STRUCTURE ASSY-SLAT NO. 6 INBD LE (LH) (POST SB 767-57A0057) (FOR ADDITIONAL DETAILS SEE FIG. 2) | AX | RF |
| -2C | 015T1507-609 | | STRUCTURE ASSY-SLAT NO. 6 INBD LE (LH) (POST SB 767-57A0057) (FOR ADDITIONAL DETAILS SEE FIG. 2) | AY | RF |
| -2D | 015T1507-649 | | STRUCTURE ASSY-SLAT NO. 6 INBD LE (LH) (POST SB 767-57A0057) (FOR ADDITIONAL DETAILS SEE FIG. 2) | AZ | RF |
| -2E | 015T1507-611 | | STRUCTURE ASSY-SLAT NO. 6 INBD LE (LH) (POST SB 767-57A0057) (FOR ADDITIONAL DETAILS SEE FIG. 2) | BA | RF |
| -2F | 015T1507-651 | | STRUCTURE ASSY-SLAT NO. 6 INBD LE (LH) (POST SB 767-57A0057) (FOR ADDITIONAL DETAILS SEE FIG. 2) | BB | RF |

57-43-37

| FIG. & ITEM | PART NO. | AIRLINE PART NUMBER | NOMENCLATURE 1234567 | EFF CODE | QTY PER ASSY |
|-------------|--------------|---------------------|--|----------|--------------|
| 01- -2G | 015T1507-613 | | STRUCTURE ASSY-SLAT NO. 6 INBD LE (LH) (POST SB 767-57A0057) (FOR ADDITIONAL DETAILS SEE FIG. 2) | BC | RF |
| -2H | 015T1507-653 | | STRUCTURE ASSY-SLAT NO. 6 INBD LE (LH) (POST SB 767-57A0057) (FOR ADDITIONAL DETAILS SEE FIG. 2) | BD | RF |
| -2J | 015T1507-617 | | STRUCTURE ASSY-SLAT NO. 6 INBD LE (LH) (POST SB 767-57A0057) (FOR ADDITIONAL DETAILS SEE FIG. 2) | BE | RF |
| -2K | 015T1507-619 | | STRUCTURE ASSY-SLAT NO. 6 INBD LE (LH) (POST SB 767-57A0057) (FOR ADDITIONAL DETAILS SEE FIG. 2) | BF | RF |
| -2L | 015T1507-621 | | STRUCTURE ASSY-SLAT NO. 6 INBD LE (LH) (POST SB 767-57A0057) (FOR ADDITIONAL DETAILS SEE FIG. 2) | BG | RF |
| -2M | 015T1507-657 | | STRUCTURE ASSY-SLAT NO. 6 INBD LE (LH) (POST SB 767-57A0057) (FOR ADDITIONAL DETAILS SEE FIG. 2) | BH | RF |
| -2N | 015T1507-659 | | STRUCTURE ASSY-SLAT NO. 6 INBD LE (LH) (POST SB 767-57A0057) (FOR ADDITIONAL DETAILS SEE FIG. 2) | BJ | RF |
| -2P | 015T1507-661 | | STRUCTURE ASSY-SLAT NO. 6 INBD LE (LH) (POST SB 767-57A0057) (FOR ADDITIONAL DETAILS SEE FIG. 2) | BK | RF |
| -2Q | 015T1507-625 | | STRUCTURE ASSY-SLAT NO. 6 INBD LE (LH) (POST SB 767-57A0057) (FOR ADDITIONAL DETAILS SEE FIG. 2) | BL | RF |

57-43-37

 ILLUSTRATED PARTS LIST
 01.1 Page 1066B
 Jul 01/03

| FIG. & ITEM | PART NO. | AIRLINE PART NUMBER | NOMENCLATURE 1234567 | EFF CODE | QTY PER ASSY |
|-------------|--------------|---------------------|--|----------|--------------|
| 01- -2R | 015T1507-665 | | STRUCTURE ASSY-SLAT NO. 6 INBD LE (LH) (POST SB 767-57A0057) (FOR ADDITIONAL DETAILS SEE FIG. 2) | BM | RF |
| -2S | 015T1507-631 | | STRUCTURE ASSY-SLAT NO. 6 INBD LE (LH) (POST SB 767-57A0057) (FOR ADDITIONAL DETAILS SEE FIG. 2) | BN | RF |
| -2T | 015T1507-671 | | STRUCTURE ASSY-SLAT NO. 6 INBD LE (LH) (POST SB 767-57A0057) (FOR ADDITIONAL DETAILS SEE FIG. 2) | BP | RF |
| -2U | 015T1507-681 | | STRUCTURE ASSY-SLAT NO. 6 INBD LE (LH) (POST SB 767-57A0057) (FOR ADDITIONAL DETAILS SEE FIG. 2) | BQ | RF |
| -2V | 015T1507-685 | | STRUCTURE ASSY-SLAT NO. 6 INBD LE (LH) (POST SB 767-57A0057) (FOR ADDITIONAL DETAILS SEE FIG. 2) | BR | RF |
| -2W | 015T1507-615 | | STRUCTURE ASSY-SLAT NO. 6 INBD LE (LH) (POST SB 767-57A0057) (FOR DETAILS SEE FIG. 5 AND FIG. 6) | CU | RF |
| -2X | 015T1507-655 | | STRUCTURE ASSY-SLAT NO. 6 INBD LE (LH) (POST SB 767-57A0057) (FOR DETAILS SEE FIG. 5 AND FIG. 6) | CV | RF |
| -2Y | 015T1507-623 | | STRUCTURE ASSY-SLAT NO. 6 INBD LE (LH) (POST SB 767-57A0057) (FOR DETAILS SEE FIG. 5 AND FIG. 6) | CW | RF |
| -2Z | 015T1507-663 | | STRUCTURE ASSY-SLAT NO. 6 INBD LE (LH) (POST SB 767-57A0057) (FOR DETAILS SEE FIG. 5 AND FIG. 6) | CX | RF |

57-43-37

| FIG. & ITEM | PART NO. | AIRLINE PART NUMBER | NOMENCLATURE 1234567 | EFF CODE | QTY PER ASSY |
|-------------|--------------|---------------------|--|----------|--------------|
| 01-3 | 015T1507-629 | | STRUCTURE ASSY-SLAT NO. 6 INBD LE (LH) (POST SB 767-57A0057) (FOR DETAILS SEE FIG. 5 AND FIG. 6) | CY | RF |
| -3A | 015T1507-669 | | STRUCTURE ASSY-SLAT NO. 6 INBD LE (LH) (POST SB 767-57A0057) (FOR DETAILS SEE FIG. 5 AND FIG. 6) | CZ | RF |
| -3B | 015T1507-637 | | STRUCTURE ASSY-SLAT NO. 6 INBD LE (LH) (POST SB 767-57A0057) (FOR DETAILS SEE FIG. 5 AND FIG. 6) | DA | RF |
| -3C | 015T1507-677 | | STRUCTURE ASSY-SLAT NO. 6 INBD LE (LH) (POST SB 767-57A0057) (FOR DETAILS SEE FIG. 5 AND FIG. 6) | DB | RF |
| -3D | 015T1507-627 | | STRUCTURE ASSY-SLAT NO. 6 INBD LE (LH) (POST SB 767-57A0057) (FOR DETAILS SEE FIG. 7 AND FIG. 8) | DL | RF |
| -3E | 015T1507-667 | | STRUCTURE ASSY-SLAT NO. 6 INBD LE (LH) (POST SB 767-57A0057) (FOR DETAILS SEE FIG. 7 AND FIG. 8) | DM | RF |
| -3F | 015T1507-633 | | STRUCTURE ASSY-SLAT NO. 6 INBD LE (LH) (POST SB 767-57A0057) (FOR DETAILS SEE FIG. 7 AND FIG. 8) | DN | RF |
| -3G | 015T1507-673 | | STRUCTURE ASSY-SLAT NO. 6 INBD LE (LH) (POST SB 767-57A0057) (FOR DETAILS SEE FIG. 7 AND FIG. 8) | DP | RF |
| -3H | 015T1507-635 | | STRUCTURE ASSY-SLAT NO. 6 INBD LE (LH) (POST SB 767-57A0057) (FOR DETAILS SEE FIG. 7 AND FIG. 8) | DQ | RF |

57-43-37

 ILLUSTRATED PARTS LIST
 01.1 Page 1066D
 Jul 01/03

| FIG. & ITEM | PART NO. | AIRLINE PART NUMBER | NOMENCLATURE 1234567 | EFF CODE | QTY PER ASSY |
|-------------|----------------|---------------------|--|----------|--------------|
| 01- -3J | 015T1507-675 | | STRUCTURE ASSY-SLAT NO. 6 INBD LE (LH) (POST SB 767-57A0057) (FOR DETAILS SEE FIG. 7 AND FIG. 8) | DR | RF |
| -3K | 114T3100-49SP | | DELETED | | |
| -3L | 114T3100-51SP | | DELETED | | |
| -3M | 114T3100-53SP | | DELETED | | |
| -3N | 114T3100-55SP | | DELETED | | |
| -3P | 114T3100-401SP | | DELETED | | |
| -3Q | 015T1507-628 | | STRUCTURE ASSY-SLAT NO. 7 INBD LE (RH) (POST SB 767-57A0057) (FOR DETAILS SEE FIG. 7 AND FIG. 8) | DS | RF |
| -3R | 015T1507-668 | | STRUCTURE ASSY-SLAT NO. 7 INBD LE (RH) (POST SB 767-57A0057) (FOR DETAILS SEE FIG. 7 AND FIG. 8) | DT | RF |
| -3S | 015T1507-634 | | STRUCTURE ASSY-SLAT NO. 7 INBD LE (RH) (POST SB 767-57A0057) (FOR DETAILS SEE FIG. 7 AND FIG. 8) | DU | RF |
| -3T | 015T1507-674 | | STRUCTURE ASSY-SLAT NO. 7 INBD LE (RH) (POST SB 767-57A0057) (FOR DETAILS SEE FIG. 7 AND FIG. 8) | DV | RF |
| -3U | 015T1507-636 | | STRUCTURE ASSY-SLAT NO. 7 INBD LE (RH) (POST SB 767-57A0057) (FOR DETAILS SEE FIG. 7 AND FIG. 8) | DW | RF |
| -3V | 015T1507-676 | | STRUCTURE ASSY-SLAT NO. 7 INBD LE (RH) (POST SB 767-57A0057) (FOR DETAILS SEE FIG. 7 AND FIG. 8) | DX | RF |
| -3W | 015T1507-630 | | STRUCTURE ASSY-SALT NO. 7 INBD LE (RH) (POST SB 767-57A0057) (FOR DETAILS SEE FIG. 5 AND FIG. 6) | DG | RF |

57-43-37

ILLUSTRATED PARTS LIST
01.1 Page 1066E
Jul 01/03

| FIG. & ITEM | PART NO. | AIRLINE PART NUMBER | NOMENCLATURE 1234567 | EFF CODE | QTY PER ASSY |
|-------------|--------------|---------------------|--|----------|--------------|
| 01- -3X | 015T1507-670 | | STRUCTURE ASSY-SALT NO. 7 INBD LE (RH) (POST SB 767-57A0057) (FOR DETAILS SEE FIG. 5 AND FIG. 6) | DH | RF |
| -3Y | 015T1507-638 | | STRUCTURE ASSY-SALT NO. 7 INBD LE (RH) (POST SB 767-57A0057) (FOR DETAILS SEE FIG. 5 AND FIG. 6) | DJ | RF |
| -3Z | 015T1507-678 | | STRUCTURE ASSY-SALT NO. 7 INBD LE (RH) (POST SB 767-57A0057) (FOR DETAILS SEE FIG. 5 AND FIG. 6) | DK | RF |
| -4 | 015T1507-646 | | STRUCTURE ASSY-SLAT NO. 7 INBD LE (RH) (POST SB 767-57A0057) (FOR ADDITIONAL DETAILS SEE FIG. 2) | BX | RF |
| -4A | 015T1507-608 | | STRUCTURE ASSY-SLAT NO. 7 INBD LE (RH) (POST SB 767-57A0057) (FOR ADDITIONAL DETAILS SEE FIG. 2) | BY | RF |
| -4B | 015T1507-648 | | STRUCTURE ASSY-SLAT NO. 7 INBD LE (RH) (POST SB 767-57A0057) (FOR ADDITIONAL DETAILS SEE FIG. 2) | BZ | RF |
| -4C | 015T1507-610 | | STRUCTURE ASSY-SLAT NO. 7 INBD LE (RH) (POST SB 767-57A0057) (FOR ADDITIONAL DETAILS SEE FIG. 2) | CA | RF |
| -4D | 015T1507-650 | | STRUCTURE ASSY-SLAT NO. 7 INBD LE (RH) (POST SB 767-57A0057) (FOR ADDITIONAL DETAILS SEE FIG. 2) | CB | RF |
| -4E | 015T1507-612 | | STRUCTURE ASSY-SLAT NO. 7 INBD LE (RH) (POST SB 767-57A0057) (FOR ADDITIONAL DETAILS SEE FIG. 2) | CC | RF |

57-43-37

 ILLUSTRATED PARTS LIST
 01.1 Page 1066F
 Jul 01/03

| FIG. & ITEM | PART NO. | AIRLINE PART NUMBER | NOMENCLATURE 1234567 | EFF CODE | QTY PER ASSY |
|-------------|--------------|---------------------|--|----------|--------------|
| 01- -4F | 015T1507-652 | | STRUCTURE ASSY-SLAT NO. 7 INBD LE (RH) (POST SB 767-57A0057) (FOR ADDITIONAL DETAILS SEE FIG. 2) | CD | RF |
| -4G | 015T1507-614 | | STRUCTURE ASSY-SLAT NO. 7 INBD LE (RH) (POST SB 767-57A0057) (FOR ADDITIONAL DETAILS SEE FIG. 2) | CE | RF |
| -4H | 015T1507-654 | | STRUCTURE ASSY-SLAT NO. 7 INBD LE (RH) (POST SB 767-57A0057) (FOR ADDITIONAL DETAILS SEE FIG. 2) | CF | RF |
| -4J | 015T1507-618 | | STRUCTURE ASSY-SLAT NO. 7 INBD LE (RH) (POST SB 767-57A0057) (FOR ADDITIONAL DETAILS SEE FIG. 2) | CG | RF |
| -4K | 015T1507-620 | | STRUCTURE ASSY-SLAT NO. 7 INBD LE (RH) (POST SB 767-57A0057) (FOR ADDITIONAL DETAILS SEE FIG. 2) | CH | RF |
| -4L | 015T1507-622 | | STRUCTURE ASSY-SLAT NO. 7 INBD LE (RH) (POST SB 767-57A0057) (FOR ADDITIONAL DETAILS SEE FIG. 2) | CJ | RF |
| -4M | 015T1507-658 | | STRUCTURE ASSY-SLAT NO. 7 INBD LE (RH) (POST SB 767-57A0057) (FOR ADDITIONAL DETAILS SEE FIG. 2) | CK | RF |
| -4N | 015T1507-660 | | STRUCTURE ASSY-SLAT NO. 7 INBD LE (RH) (POST SB 767-57A0057) (FOR ADDITIONAL DETAILS SEE FIG. 2) | CL | RF |
| -4P | 015T1507-662 | | STRUCTURE ASSY-SLAT NO. 7 INBD LE (RH) (POST SB 767-57A0057) (FOR ADDITIONAL DETAILS SEE FIG. 2) | CM | RF |

57-43-37

| FIG. & ITEM | PART NO. | AIRLINE PART NUMBER | NOMENCLATURE 1234567 | EFF CODE | QTY PER ASSY |
|-------------|--------------|---------------------|--|----------|--------------|
| 01-4Q | 015T1507-626 | | STRUCTURE ASSY-SLAT NO. 7 INBD LE (RH) (POST SB 767-57A0057) (FOR ADDITIONAL DETAILS SEE FIG. 2) | CN | RF |
| -4R | 015T1507-666 | | STRUCTURE ASSY-SLAT NO. 7 INBD LE (RH) (POST SB 767-57A0057) (FOR ADDITIONAL DETAILS SEE FIG. 2) | CP | RF |
| -4S | 015T1507-632 | | STRUCTURE ASSY-SLAT NO. 7 INBD LE (RH) (POST SB 767-57A0057) (FOR ADDITIONAL DETAILS SEE FIG. 2) | CQ | RF |
| -4T | 015T1507-672 | | STRUCTURE ASSY-SLAT NO. 7 INBD LE (RH) (POST SB 767-57A0057) (FOR ADDITIONAL DETAILS SEE FIG. 2) | CR | RF |
| -4U | 015T1507-682 | | STRUCTURE ASSY-SLAT NO. 7 INBD LE (RH) (POST SB 767-57A0057) (FOR ADDITIONAL DETAILS SEE FIG. 2) | CS | RF |
| -4V | 015T1507-686 | | STRUCTURE ASSY-SLAT NO. 7 INBD LE (RH) (POST SB 767-57A0057) (FOR ADDITIONAL DETAILS SEE FIG. 2) | CT | RF |
| -4W | 015T1507-616 | | STRUCTURE ASSY-SALT NO. 7 INBD LE (RH) (POST SB 767-57A0057) (FOR DETAILS SEE FIG. 5 AND FIG. 6) | DC | RF |
| -4X | 015T1507-656 | | STRUCTURE ASSY-SALT NO. 7 INBD LE (RH) (POST SB 767-57A0057) (FOR DETAILS SEE FIG. 5 AND FIG. 6) | DD | RF |
| -4Y | 015T1507-624 | | STRUCTURE ASSY-SALT NO. 7 INBD LE (RH) (POST SB 767-57A0057) (FOR DETAILS SEE FIG. 5 AND FIG. 6) | DE | RF |

57-43-37

 ILLUSTRATED PARTS LIST
 01.1 Page 1066H
 Jul 01/03

| FIG. & ITEM | PART NO. | AIRLINE PART NUMBER | NOMENCLATURE 1234567 | EFF CODE | QTY PER ASSY |
|-------------|------------------------------|---------------------|--|----------|--------------|
| 01- -4Z | 015T1507-664 | | STRUCTURE ASSY-SALT NO. 7 INBD LE (RH) (POST SB 767-57A0057) (FOR DETAILS SEE FIG. 5 AND FIG. 6) | DF | RF |
| -5 -5A | 114T3100-2SP 114T3100-12 | | DELETED STRUCTURE ASSY-SLAT NO. 7 INBD LE (VARIABLE) (RH) (PRE SB 767-57A0057) (FOR ADDITIONAL DETAILS SEE FIG. 2) | N | RF |
| -5B -5C | 114T3100-14SP 114T3100-16 | | DELETED STRUCTURE ASSY-SLAT NO. 7 INBD LE (VARIABLE) (RH) (PRE SB 767-57A0057) (FOR ADDITIONAL DETAILS SEE FIG. 2) | Q | RF |
| -5D | 114T3100-18 | | STRUCTURE ASSY-SALT NO. 7 INBD LE (VARIABLE) (RH) (PRE SB 767-57A0057) (FOR DETAILS SEE FIG. 5) | S | RF |
| -5E -5F | 114T3100-22SP 114T3100-24 | | DELETED STRUCTURE ASSY-SLAT NO. 7 INBD LE (VARIABLE) (RH) (PRE SB 767-57A0057) (FOR DETAILS SEE FIG. 5) | W | RF |
| -5G | 114T3100-26 | | STRUCTURE ASSY-SLAT NO. 7 INBD LE (VARIABLE) (RH) (PRE SB 767-57A0057) (FOR ADDITIONAL DETAILS SEE FIG. 2) | L | RF |
| -5H | 114T3100-28 | | STRUCTURE ASSY-SLAT NO. 7 INBD LE (RH) (POST SB 767-32-0107) (PRE SB 767-57A0057) (FOR DETAILS SEE FIG. 7 AND FIG. 8) | AA | RF |
| -5J -5K | 114T3100-30 114T3100-32 | | DELETED STRUCTURE ASSY-SLAT NO. 7 INBD LE (VARIABLE) (RH) (PRE SB 767-57A0057) (FOR DETAILS SEE FIG. 5) | AC | RF |

57-43-37

| FIG. & ITEM | PART NO. | AIRLINE PART NUMBER | NOMENCLATURE 1234567 | EFF CODE | QTY PER ASSY |
|-------------|--------------|---------------------|--|----------|--------------|
| 01- -5L | 114T3100-34 | | STRUCTURE ASSY-SLAT NO. 7 INBD LE (VARIABLE) (RH) (PRE SB 767-57A0057) (FOR ADDITIONAL DETAILS SEE FIG. 2) | AE | RF |
| -5M | 114T3100-36 | | STRUCTURE ASSY-SLAT NO. 7 INBD LE (VARIABLE) (RH) (PRE SB 767-57A0057) (FOR DETAILS SEE FIG. 7 AND FIG. 8) | AG | RF |
| -5N | 015T0165-10 | | SLAT ASSY-NO. 6 AND NO. 7 WING LE TOP KIT (RH) (POST SB 767-32-0095) (PRE SB 767-57A0057) (FOR ADDITIONAL DETAILS SEE FIG. 2) | AJ | RF |
| -5P | 114T3100-38 | | STRUCTURE ASSY-SLAT NO. 7 INBD LE (RH) (PRE SB 767-57A0057) (FOR DETAILS SEE FIG. 7 AND FIG. 8) | AM | RF |
| -5Q | 114T3100-40 | | STRUCTURE ASSY-SLAT NO. 7 INBD LE (VARIABLE) (RH) (PRE SB 767-57A0057) (FOR DETAILS SEE FIG. 5) | AN | RF |
| -5R | 114T3100-42 | | STRUCTURE ASSY-SLAT NO. 7 INBD LE (VARIABLE) (RH) (FOR DETAILS SEE FIG. 5) | F | RF |
| -5S | 114T3100-44 | | DELETED | | |
| -5T | 114T3100-46 | | DELETED | | |
| -5U | 114T3100-48 | | DELETED | | |
| -5V | 015T1507-602 | | STRUCTURE ASSY-SLAT NO. 7 INBD LE (RH) (POST SB 767-57A0057) (FOR ADDITIONAL DETAILS SEE FIG. 2) | BS | RF |
| -5W | 015T1507-604 | | STRUCTURE ASSY-SLAT NO. 7 INBD LE (RH) (POST SB 767-57A0057) (FOR ADDITIONAL DETAILS SEE FIG. 2) | BT | RF |

57-43-37

 ILLUSTRATED PARTS LIST
 01.1 Page 1066J
 Jul 01/03

| FIG. & ITEM | PART NO. | AIRLINE PART NUMBER | NOMENCLATURE 1234567 | EFF CODE | QTY PER ASSY |
|-------------|---------------|---------------------|---|----------|--------------|
| 01- -5X | 015T1507-606 | | STRUCTURE ASSY-SLAT NO. 7 INBD LE (RH) (POST SB 767-57A0057) (FOR ADDITIONAL DETAILS SEE FIG. 2) | BU | RF |
| -5Y | 015T1507-642 | | STRUCTURE ASSY-SLAT NO. 7 INBD LE (RH) (POST SB 767-57A0057) (FOR ADDITIONAL DETAILS SEE FIG. 2) | BV | RF |
| -5Z | 015T1507-644 | | STRUCTURE ASSY-SLAT NO. 7 INBD LE (RH) (POST SB 767-57A0057) (FOR ADDITIONAL DETAILS SEE FIG. 2) | BW | RF |
| -6 | 114T3100-5001 | | DELETED | | |
| -6A | 114T3100-5003 | | DELETED | | |
| -6B | 114T3100-5005 | | DELETED | | |
| -6C | 114T3100-5007 | | DELETED | | |
| -6D | 114T3100-50SP | | DELETED | | |
| -6E | 114T3100-52SP | | DELETED | | |
| -6F | 114T3100-54SP | | DELETED | | |
| -6G | 114T3100-56SP | | DELETED | | |
| -6H | 015T0165-11 | | SLAT ASSY-NO. 6 AND NO. 7 WING LE TOP KIT (LH) (PRE SB 767-57A0057R2) (FOR ADDITIONAL DETAILS SEE FIG. 2) | G | RF |
| -6J | 015T1507-683 | | STRUCTURE ASSY-SLAT NO. 6 INBD LE (LH) (POST SB 767-57A0057R2) (FOR ADDITIONAL DETAILS SEE FIG. 2) | H | RF |
| -6K | 015T1507-687 | | STRUCTURE ASSY-SLAT NO. 6 INBD LE (LH) (POST SB 767-57A0057R2) (FOR ADDITIONAL DETAILS SEE FIG. 2) | J | RF |
| -6L | 015T0165-12 | | SLAT ASSY-NO. 6 AND NO. 7 WING LE TOP KIT (RH) (PRE SB 767-57A0057R2) (FOR ADDITIONAL DETAILS SEE FIG. 2) | Y | RF |

57-43-37

| FIG. & ITEM | PART NO. | AIRLINE PART NUMBER | NOMENCLATURE 1234567 | EFF CODE | QTY PER ASSY |
|-------------|----------------|---------------------|--|----------|--------------|
| 01- -6M | 015T1507-684 | | STRUCTURE ASSY-SLAT NO. 7 INBD LE (RH) (POST SB 767-57A0057R2) (FOR ADDITIONAL DETAILS SEE FIG. 2) | AB | RF |
| -6N | 015T1507-688 | | STRUCTURE ASSY-SLAT NO. 7 INBD LE (RH) (POST SB 767-57A0057R2) (FOR ADDITIONAL DETAILS SEE FIG. 2) | AP | RF |
| -6P | 114T3100-402SP | | DELETED | | |
| -6Q | 114T3100-403SP | | DELETED | | |
| R -6R | 114T3100-405G | | STRUCTURE ASSY-SLAT NO. 6 INBD LE (LH) (FOR DETAILS SEE FIG. 7 AND FIG. 8) | EL | RF |
| -6S | 114T3100-404SP | | DELETED | | |
| R -6T | 114T3100-406G | | STRUCTURE ASSY-SLAT NO. 7 INBD LE (RH) (FOR DETAILS SEE FIG. 7 AND FIG. 8) | EM | RF |
| R -6U | 114T3100-407G | | STRUCTURE ASSY-SLAT NO. 6 INBD LE (LH) (FOR DETAILS SEE FIG. 7 AND FIG. 8) | EN | RF |
| R -6V | 114T3100-408G | | STRUCTURE ASSY-SLAT NO. 7 INBD LE (RH) (FOR DETAILS SEE FIG. 7 AND FIG. 8) | EP | RF |
| -6W | 114T3100-5001 | | DELETED | | |
| -6X | 114T3100-5003 | | DELETED | | |
| -6Y | 114T3100-5005 | | DELETED | | |
| -6Z | 114T3100-5007 | | DELETED | | |
| -7 | 114T3100-5009 | | DELETED | | |
| -7A | 114T3100-5011 | | DELETED | | |
| R -7B | 114T3100-409G | | STRUCTURE ASSY-SLAT NO. 6 INBD LE (LH) (FOR DETAILS SEE FIG. 7 AND FIG. 8) | EQ | RF |
| R -7C | 114T3100-410G | | STRUCTURE ASSY-SLAT NO. 7 INBD LE (RH) (FOR DETAILS SEE FIG. 7 AND FIG. 8) | ER | RF |

57-43-37

 ILLUSTRATED PARTS LIST
 01.1 Page 1066L
 Jul 01/03

| FIG. & ITEM | PART NO. | AIRLINE PART NUMBER | NOMENCLATURE 1234567 | EFF CODE | QTY PER ASSY |
|-------------|---------------|---------------------|---|----------|--------------|
| R 01-7D | 114T3100-411G | | STRUCTURE ASSY-SLAT NO. 6 INBD LE (LH) (FOR DETAILS SEE FIG. 7 AND FIG. 8) | ES | RF |
| R -7E | 114T3100-412G | | STRUCTURE ASSY-SLAT NO. 7 INBD LE (RH) (FOR DETAILS SEE FIG. 7 AND FIG. 8) | ET | RF |
| R -7F | 114T3100-1A | | STRUCTURE ASSY-SLAT NO. 6 INBD LE (LH) (PRE SB 767-32-0107) (PRE SB 767-32-0095) (PRE SB 767-57A0057) (FOR ADDITIONAL DETAILS SEE FIG. 2) | A | RF |
| R -7G | 114T3100-1B | | STRUCTURE ASSY-SLAT NO. 6 INBD LE (LH) (PRE SB 767-32-0107) (PRE SB 767-32-0095) (PRE SB 767-57A0057) (FOR ADDITIONAL DETAILS SEE FIG. 2) | EU | RF |
| R -7H | 114T3100-1C | | STRUCTURE ASSY-SLAT NO. 6 INBD LE (LH) (PRE SB 767-32-0107) (PRE SB 767-32-0095) (PRE SB 767-57A0057) (FOR ADDITIONAL DETAILS SEE FIG. 2) | EV | RF |
| R -7J | 114T3100-13A | | STRUCTURE ASSY-SLAT NO. 6 INBD LE (LH) (POST SB 767-32-0107) (PRE SB 767-57A0057) (FOR ADDITIONAL DETAILS SEE FIG. 2) | C | RF |
| R -7K | 114T3100-13C | | STRUCTURE ASSY-SLAT NO. 6 INBD LE (LH) (POST SB 767-32-0107) (PRE SB 767-57A0057) (FOR ADDITIONAL DETAILS SEE FIG. 2) | EW | RF |

57-43-37

| FIG. & ITEM | PART NO. | AIRLINE PART NUMBER | NOMENCLATURE 1234567 | EFF CODE | QTY PER ASSY |
|-------------|---------------|---------------------|---|----------|--------------|
| R 01-7L | 114T3100-21A | | STRUCTURE ASSY-SLAT NO. 6 INBD LE (LH) (POST SB 767-32-0107) (PRE SB 767-57A0057) (FOR ADDITIONAL DETAILS SEE FIG. 2) | T | RF |
| R -7M | 114T3100-21B | | STRUCTURE ASSY-SLAT NO. 6 INBD LE (LH) (POST SB 767-32-0107) (PRE SB 767-57A0057) (FOR ADDITIONAL DETAILS SEE FIG. 2) | EX | RF |
| R -7N | 114T3100-21C | | STRUCTURE ASSY-SLAT NO. 6 INBD LE (LH) (POST SB 767-32-0107) (PRE SB 767-57A0057) (FOR ADDITIONAL DETAILS SEE FIG. 2) | EX | RF |
| R -7P | 114T3100-49G | | STRUCTURE ASSY-SLAT NO. 6 INBD LE (LH) (FOR DETAILS SEE FIG. 7 AND FIG. 8) | DY | RF |
| R -7Q | 114T3100-51G | | STRUCTURE ASSY-SLAT NO. 6 INBD LE (LH) (FOR DETAILS SEE FIG. 7 AND FIG. 8) | DZ | RF |
| R -7R | 114T3100-53G | | STRUCTURE ASSY-SLAT NO. 6 INBD LE (LH) (FOR DETAILS SEE FIG. 7 AND FIG. 8) | EA | RF |
| R -7S | 114T3100-55G | | STRUCTURE ASSY-SLAT NO. 6 INBD LE (LH) (FOR DETAILS SEE FIG. 7 AND FIG. 8) | EB | RF |
| R -7T | 114T3100-401G | | STRUCTURE ASSY-SLAT NO. 6 INBD LE (LH) (FOR DETAILS SEE FIG. 7 AND FIG. 8) | EG | RF |
| R -7U | 114T3100-2A | | STRUCTURE ASSY-SLAT NO. 7 INBD LE (RH) (PRE SB 767-32-0107) (PRE SB 767-32-0095) (PRE SB 767-57A0057) (FOR ADDITIONAL DETAILS SEE FIG. 2) | B | RF |

57-43-37

 ILLUSTRATED PARTS LIST
 01.1 Page 1066N
 Jul 01/03

015T0165
 015T1507
 114T3100
 DASH NUMBERS LIMITED

 **BOEING**
 COMPONENT
 MAINTENANCE MANUAL

| FIG. & ITEM | PART NO. | AIRLINE PART NUMBER | NOMENCLATURE 1234567 | EFF CODE | QTY PER ASSY |
|--------------|---------------|---------------------|---|----------|--------------|
| R 01- -7V | 114T3100-2B | | STRUCTURE ASSY-SLAT NO. 7 INBD LE (RH) (PRE SB 767-32-0107) (PRE SB 767-32-0095) (PRE SB 767-57A0057) (FOR ADDITIONAL DETAILS SEE FIG. 2) | EZ | RF |
| R -7W | 114T3100-2C | | STRUCTURE ASSY-SLAT NO. 7 INBD LE (RH) (PRE SB 767-32-0107) (PRE SB 767-32-0095) (PRE SB 767-57A0057) (FOR ADDITIONAL DETAILS SEE FIG. 2) | FA | RF |
| R -7X | 114T3100-14A | | STRUCTURE ASSY-SLAT NO. 7 INBD LE (RH) (POST SB 767-32-0107) (PRE SB 767-57A0057) (FOR ADDITIONAL DETAILS SEE FIG. 2) | D | RF |
| R -7Y | 114T3100-14C | | STRUCTURE ASSY-SLAT NO. 7 INBD LE (RH) (POST SB 767-32-0107) (PRE SB 767-57A0057) (FOR ADDITIONAL DETAILS SEE FIG. 2) | FB | RF |
| R -7Z | 114T3100-22A | | STRUCTURE ASSY-SLAT NO. 7 INBD LE (RH) (POST SB 767-32-0107) (PRE SB 767-57A0057) (FOR ADDITIONAL DETAILS SEE FIG. 2) | U | RF |
| -8 | 114T3100-5002 | | DELETED | | |
| -8A | 114T3100-5004 | | DELETED | | |
| -8B | 114T3100-5006 | | DELETED | | |
| -8C | 114T3100-5008 | | DELETED | | |
| R -8D | 114T3100-22B | | STRUCTURE ASSY-SLAT NO. 7 INBD LE (RH) (POST SB 767-32-0107) (PRE SB 767-57A0057) (FOR ADDITIONAL DETAILS SEE FIG. 2) | FC | RF |

57-43-37

ILLUSTRATED PARTS LIST
 01.1 Page 10660
 Jul 01/03

| FIG. & ITEM | PART NO. | AIRLINE PART NUMBER | NOMENCLATURE 1234567 | EFF CODE | QTY PER ASSY |
|-------------|---------------|---------------------|--|----------|--------------|
| R 01-8E | 114T3100-22C | | STRUCTURE ASSY-SLAT NO. 7 INBD LE (RH) (POST SB 767-32-0107) (PRE SB 767-57A0057) (FOR ADDITIONAL DETAILS SEE FIG. 2) | FD | RF |
| R -8F | 114T3100-50G | | STRUCTURE ASSY-SLAT NO. 7 INBD LE (RH) (FOR DETAILS SEE FIG. 7 AND FIG. 8) | EC | RF |
| R -8G | 114T3100-52G | | STRUCTURE ASSY-SLAT NO. 7 INBD LE (RH) (FOR DETAILS SEE FIG. 7 AND FIG. 8) | ED | RF |
| R -8H | 114T3100-54G | | STRUCTURE ASSY-SLAT NO. 7 INBD LE (RH) (FOR DETAILS SEE FIG. 7 AND FIG. 8) | EE | RF |
| R -8J | 114T3100-56G | | STRUCTURE ASSY-SLAT NO. 7 INBD LE (RH) (FOR DETAILS SEE FIG. 7 AND FIG. 8) | EF | RF |
| R -8K | 114T3100-402G | | STRUCTURE ASSY-SLAT NO. 7 INBD LE (RH) (FOR DETAILS SEE FIG. 7 AND FIG. 8) | EH | RF |
| R -8L | 114T3100-403G | | STRUCTURE ASSY-SLAT NO. 6 INBD LE (LH) (FOR DETAILS SEE FIG. 7 AND FIG. 8) | EJ | RF |
| R -8M | 114T3100-404G | | STRUCTURE ASSY-SLAT NO. 7 INBD LE (RH) (FOR DETAILS SEE FIG. 7 AND FIG. 8) | EK | RF |
| R -8N | 114T3100-413G | | STRUCTURE ASSY-SLAT NO. 6 INBD LE (LH) (FOR DETAILS SEE FIG. 7 AND FIG. 8) | FE | RF |
| R -8P | 114T3100-414G | | STRUCTURE ASSY-SLAT NO. 7 INBD LE (RH) (FOR DETAILS SEE FIG. 7 AND FIG. 8) | FF | RF |

57-43-37

 ILLUSTRATED PARTS LIST
 01.1 Page 1066P
 Jul 01/03

| FIG. & ITEM | PART NO. | AIRLINE PART NUMBER | NOMENCLATURE 1234567 | EFF CODE | QTY PER ASSY |
|-------------|---------------|---------------------|---|----------|--------------|
| R 01-8Q | 114T3100-415G | | STRUCTURE ASSY-SLAT NO. 6 INBD LE (LH) (FOR DETAILS SEE FIG. 7 AND FIG. 8) | FG | RF |
| R -8R | 114T3100-408G | | STRUCTURE ASSY-SLAT NO. 7 INBD LE (RH) (FOR DETAILS SEE FIG. 7 AND FIG. 8) | FH | RF |
| R -8S | 114T3100-417G | | STRUCTURE ASSY-SLAT NO. 6 INBD LE (LH) (FOR DETAILS SEE FIG. 7 AND FIG. 8) | FJ | RF |
| R -8T | 114T3100-418G | | STRUCTURE ASSY-SLAT NO. 7 INBD LE (RH) (FOR DETAILS SEE FIG. 7 AND FIG. 8) | FK | RF |

57-43-37

| FIG. & ITEM | PART NO. | AIRLINE PART NUMBER | NOMENCLATURE 1234567 | EFF CODE | QTY PER ASSY |
|-------------|---------------|---------------------|-------------------------------|--|--------------|
| 01- -9 | 114T3100-5010 | | .STRUCTURE ASSY | D,C A-CD, FB | 1 |
| -9A | 114T3100-5012 | | .STRUCTURE ASSY | L,Q,U ,AE,C E-CR, FC,FD | 1 |
| R -9B | 114T3100-5001 | | .STRUCTURE ASSY- (LIMITED) | A,G-J ,M,AH ,AQ-A X,BQ, BR,EU EV,EU | 1 |
| R -9C | 114T3100-5003 | | .STRUCTURE ASSY- (LIMITED) | A,M,A Q-AX, EU,EV | 1 |
| R -9D | 114T3100-5005 | | .STRUCTURE ASSY- (LIMITED) | A,M,A Q-AX, EU,EV | 1 |
| R -9E | 114T3100-5007 | | .STRUCTURE ASSY- (LIMITED) | A,G-J ,M,AH ,AQ-A X,BQ, BR,EU EV,EU | 1 |
| R -9F | 114T3100-5009 | | .STRUCTURE ASSY | C,A Y-BB, EW | 1 |
| R -9G | 114T3100-5011 | | .STRUCTURE ASSY | K,P,T ,AD,B C-BP, EX,EY | 1 |

57-43-37

 ILLUSTRATED PARTS LIST
 01.1 Page 1066R
 Jul 01/03

| FIG. & ITEM | PART NO. | AIRLINE PART NUMBER | NOMENCLATURE 1234567 | EFF CODE | QTY PER ASSY |
|-------------|---------------|---------------------|--|---|--------------|
| R 01-9H | 114T3100-5002 | | .STRUCTURE ASSY- (REPLD BY ITEM 9J) | B,N,Y ,AB,A J,AP, BS-BZ ,CS CT,EZ ,FA | 1 |
| R -9J | 114T3100-5004 | | .STRUCTURE ASSY- (REPLS ITEM 9H) (REPLD BY ITEM 9K) | B,N,B S-BZ, EZ,FA | 1 |
| R -9K | 114T3100-5006 | | .STRUCTURE ASSY- (REPLS ITEM 9J) (REPLD BY ITEM 9L) | B,N,B S-BZ, EZ,FA | 1 |
| R -9L | 114T3100-5008 | | .STRUCTURE ASSY- (REPLS ITEM 9K) | B,N,Y ,AB,A J,AP, BS-BZ ,CS CT,EA ,FA | 1 |
| 10 | 114T3200-1 | | ..SEAL INSTL- (USED ON ITEMS 6W, 6X, 6Y) (FOR DETAILS SEE FIG. 3) | A,G-J ,M,AH ,AQ-A X,BQ, BR,EU EV,EU | 1 |
| -10A | 114T3200-5 | | ..SEAL INSTL- (USED ON ITEM 6C) (FOR DETAILS SEE FIG. 3) | A,C, G-K,M ,P,T, AD,AH ,AQ-B R EU-EY | 1 |

57-43-37

| FIG. & ITEM | PART NO. | AIRLINE PART NUMBER | NOMENCLATURE 1234567 | EFF CODE | QTY PER ASSY |
|-------------|-------------|---------------------|--|---|--------------|
| 01- -12 | 114T3200-2 | | ..SEAL INSTL- (USED ON ITEMS 8, 8A, 8B) (FOR DETAILS SEE FIG. 3) | B,N,Y ,AB,A ,J,AP, BS-BZ ,CS CT,EZ ,FA | 1 |
| -12A | 114T3200-6 | | ..SEAL INSTL- (USED ON ITEM 8C) (FOR DETAILS SEE FIG. 3) | B,D,L ,N,Q, U,Y,A B,AE, AJ,AP BS-CT ,EZ- FD | 1 |
| 14 | BACR15BA3AD | | ..RIVET- (SIZE DETERMINE ON INST) | A-D, G-Q,T ,U,Y, AB,AD ,AE,A H AJ,A P-CT, EU-FD | 76 |
| 16 | BRFM20A3 | | ..NUTPLATE- (V52828) (SPEC BACN10JN3) (OPT MF1000-3BAC (V15653)) (OPT NS103218-02 (V80539)) (OPT RMF9201M3 (V72962)) (OPT VN252A02 (V92215)) (OPT MF1000-3BAC (V15653)) (OPT MF53049-3 (V15653)) | A-D, G-Q,T ,U,Y, AB,AD ,AE,A H AJ,A P-CT, EU-FD | 2 |

57-43-37

ILLUSTRATED PARTS LIST
01.1 Page 1066T
Jul 01/03

| FIG. & ITEM | PART NO. | AIRLINE PART NUMBER | NOMENCLATURE 1234567 | EFF CODE | QTY PER ASSY |
|-------------|------------|---------------------|--|---|--------------|
| 01-18 | BACN10JQ36 | | ..NUTPLATE | A-D, G-Q,T ,U,Y, AB,AD ,AE,A H AJ,A P-CT, EU-FD | 1 |
| 20 | BRFM22A5-3 | | ..NUTPLATE- (V52828) (SPEC BACN10JQ35) (OPT MF19058-3-5BAC (V15653)) | A-D, G-Q,T ,U,Y, AB,AD ,AE,A H AJ,A P-CT, EU-FD | 1 |
| 21 | BRFM22A4-3 | | ..NUTPLATE- (V52828) (SPEC BACN10JQ34) (OPT MF19058-3-4BAC (V15653)) | A-D, G-Q,T ,U,Y, AB,AD ,AE,A H AJ,A P-CT, EU-FD | 4 |
| 22 | BACN10JQ32 | | ..NUTPLATE | A-D, G-Q,T ,U,Y, AB,AD ,AE,A H AJ,A P-CT, EU-FD | 30 |

57-43-37

| FIG. & ITEM | PART NO. | AIRLINE PART NUMBER | NOMENCLATURE 1234567 | EFF CODE | QTY PER ASSY |
|-------------|-------------|---------------------|---|--|--------------|
| 01-24 | BACR15BA3AD | | ..RIVET- (USED WITH ITEMS 10, 12) (SIZE DETERMINE ON INST) | A,B, G-J,M ,N,Y, AB,AH ,AJ AP-AX ,BQ-B Z,CS, CT,EU ,EV EZ,FA | 8 |
| 26 | BACN10JQ32 | | ..NUTPLATE- (USED WITH ITEMS 10, 12) | A,B, G-J,M ,N,Y, AB,AH ,AJ AP-AX ,BQ-B Z,CS, CT,EU ,EV EZ,FA | 4 |
| 28 | BACR15BA3AD | | ..RIVET- (USED WITH ITEMS 10A, 12A) (SIZE DETERMINE ON INST) | A-D, G-Q,T ,U,Y, AB,AD ,AE,A H AJ,A P-CT, EU-FA | 20 |
| 30 | BACN10JQ32 | | ..NUTPLATE- (USED WITH ITEMS 10A, 12A) | A-D, G-Q,T ,U,Y, AB,AD ,AE,A H AJ,A P-CT, EU-FD | 10 |

57-43-37

ILLUSTRATED PARTS LIST
01.1 Page 1066V
Jul 01/03

| FIG. & ITEM | PART NO. | AIRLINE PART NUMBER | NOMENCLATURE 1234567 | EFF CODE | QTY PER ASSY |
|-------------|-------------|---------------------|---|--|--------------|
| 01-32 | 114T3110-1 | | ..BOND ASSY-TE WEDGE (-1 IS INTERCHANGEABLE WITH -31 ONLY IF CUSTOMER COMPLIES WITH A/D 93-14-19) (USED ON ITEMS 6W, 6X) (PRE SB 767-57A0039) (PRE SB 767-57A0057) (FOR SPARES PROCURE 114T3110U1) | A,G-J ,M,AH ,EU,E V | 1 |
| -32A | 114T3110-31 | | ..BOND ASSY-TE WEDGE (-9 IS INTERCHANGEABLE WITH -31 ONLY IF CUSTOMER COMPLIES WITH A/D 93-14-19) (-1 IS INTERCHANGEABLE WITH -31 ONLY IF CUSTOMER COMPLIES WITH A/D 93-14-19) (-11 IS INTERCHANGEABLE WITH -31 ONLY IF CUSTOMER COMPLIES WITH A/D 93-14-19) (POST SB 767-57A0057) (FOR SPARES PROCURE 114T311U31) | AQ-AS ,AW,A Y,BA, BC,B E-BG BL,BN | 1 |

57-43-37

| FIG. & ITEM | PART NO. | AIRLINE PART NUMBER | NOMENCLATURE 1234567 | EFF CODE | QTY PER ASSY |
|-------------|-------------|---------------------|--|---|--------------|
| 01-34 | 114T3110-9 | | ..BOND ASSY-TE WEDGE (114T3110-13 MAY REPLACE 114T3110-9 FOR CF6-80C2 ENGINE CONFIGURATION) (-9 IS INTERCHANGEABLE WITH -31 ONLY IF CUSTOMER COMPLIES WITH A/D 93-14-19) (OPT ITEM 34F) (USED ON ITEMS 6Y, 6Z) (PRE SB 767-57A0039) (PRE SB 767-57A0057) (FOR SPARES PROCURE 114T3110U9) | A,C, G-K,M ,P,T, AD,AH ,EU-E Y | 1 |
| -34F | 114T3110-11 | | ..BOND ASSY-TE WEDGE (114T3110-13 MAY REPLACE 114T3110-11 FOR CF6-80C2 ENGINE CONFIGURATION) (-11 IS INTERCHANGEABLE WITH -31 ONLY IF CUSTOMER COMPLIES WITH A/D 93-14-19) (OPT ITEM 34) (USED ON ITEMS 6Y, 6Z) (PRE SB 767-57A0039) (PRE SB 767-57A0057) (FOR SPARES PROCURE 1143T3110U11) | A,C, G-K,M ,P,T, AD,AH ,EU-E Y | 1 |
| -34G | 114T3110-35 | | ..BOND ASSY-TE WEDGE (POST SB 767-57A0057) | AT-AV ,AX,A Z,BB, BD,B H-BK BM,B P-BR | 1 |
| -36 | 114T3110-2 | | ..BOND ASSY-TE WEDGE (-2 IS INTERCHANGEABLE WITH -32 ONLY IF CUSTOMER COMPLIES WITH A/D 93-14-19) (USED ON ITEMS 8, 8A) (PRE SB 767-57A0039) (PRE SB 767-57A0057) (FOR SPARES PROCURE 114T3110U2) | B,N,Y ,AB,A J,AP, EZ,FA | 1 |

57-43-37

 ILLUSTRATED PARTS LIST
 01.1 Page 1066X
 Jul 01/03

| FIG. & ITEM | PART NO. | AIRLINE PART NUMBER | NOMENCLATURE 1234567 | EFF CODE | QTY PER ASSY |
|-------------|-------------|---------------------|---|--|--------------|
| 01- -36A | 114T3110-32 | | ..BOND ASSY-TE WEDGE (-10 IS INTERCHANGEABLE WITH -32 ONLY IF CUSTOMER COMPLIES WITH A/D 93-14-19) (-2 IS INTERCHANGEABLE WITH -32 ONLY IF CUSTOMER COMPLIES WITH A/D 93-14-19) (-12 IS INTERCHANGEABLE WITH -32 ONLY IF CUSTOMER COMPLIES WITH A/D 93-14-19) (POST SB 767-57A0057) (FOR SPARES PROCURE 114T3110U25) | BS-BU ,BY, CA,CC ,CE,C G-CJ CN,CQ | 1 |
| -38 | 114T3110-10 | | ..BOND ASSY-TE WEDGE (114T3110-14 MAY REPLACE 114T3110-10 FOR CF6-80C2 ENGINE CONFIGURATION) (-10 IS INTERCHANGEABLE WITH -32 ONLY IF CUSTOMER COMPLIES WITH A/D 93-14-19) (OPT ITEM 38F) (USED ON ITEMS 8B, 8C) (PRE SB 767-57A0039) (PRE SB 767-57A0057) (FOR SPARES PROCURE 114T3110U10) | B,D,L ,N,Q, U,Y,A B,AE, AJ,AP EA-FD | 1 |
| -38F | 114T3110-12 | | ..BOND ASSY-TE WEDGE (114T3110-14 MAY REPLACE 114T3110-12 FOR CF6-80C2 ENGINE CONFIGURATION) (-12 IS INTERCHANGEABLE WITH -32 ONLY IF CUSTOMER COMPLIES WITH A/D 93-14-19) (OPT ITEM 38) (USED ON ITEMS 8B, 8C) (PRE SB 767-57A0039) (PRE SB 767-57A0057) (FOR SPARES PROCURE 114T3110U12) | B,D,L ,N,Q, U,Y,A B,AE, AJ,AP EZ-FD | 1 |

57-43-37

| FIG. & ITEM | PART NO. | AIRLINE PART NUMBER | NOMENCLATURE 1234567 | EFF CODE | QTY PER ASSY |
|-------------|-------------|---------------------|--|---|--------------|
| 01-38G | 114T3110-36 | | ..BOND ASSY-TE WEDGE (POST SB 767-57A0057) | BV-BX ,BZ, CB,CD ,CF,C K-CM CP,C R-CT | 1 |
| 39 | BACR15CE5KE | | ATTACHING PARTS ..RIVET- (SIZE DETERMINE ON INST) | A-D, G-Q,T ,U,Y, AB,AD ,AE,A H AJ,A P-CT, EU-FD | 1 |
| 40 | BACR15CE5KE | | ..RIVET- (REPLD BY ITEM 42) (SIZE DETERMINE ON INST) | A-D, G-Q,T ,U,Y, AB,AD ,AE,A H AJ,A P-CT, EU-FD | 65 |
| 42 | BACB30NW5K | | ..BOLT- (REPLS ITEM 40) (SIZE DETERMINE ON INST) | A-D, G-Q,T ,U,Y, AB,AD ,AE,A H AJ,A P-CT, EU-FD | 65 |

57-43-37

ILLUSTRATED PARTS LIST
01.1 Page 1066Z
Jul 01/03

| FIG. & ITEM | PART NO. | AIRLINE PART NUMBER | NOMENCLATURE 1234567 | EFF CODE | QTY PER ASSY |
|-------------|------------|---------------------|--|---|--------------|
| 01-44 | HL70-5 | | ..COLLAR- (V56878) (SPEC BACC30M5) (OPT HL70-5 (V73197)) (OPT HL70-5 (V92215)) (OPT 66014-5 (V56878)) (OPT HL79-5 (V5M902)) (USED WITH ITEM 42) | A-D, G-Q,T ,U,Y, AB,AD ,AE,A H AJ,A P-CT, EU-FD | 65 |
| 46 | BACB30NW6K | | ..BOLT- (SIZE DETERMINE ON INST) | A-D, G-Q,T ,U,Y, AB,AD ,AE,A H AJ,A P-CT, EU-FD | 127 |
| 48 | HL79-6 | | ..COLLAR- (V56878) (SPEC BACC30M6) (OPT HL79-6 (V73197)) (OPT HL79-6 (V92215)) (OPT 66014-6 (V56878)) (OPT HL79-6 (V5M902)) | A-D, G-Q,T ,U,Y, AB,AD ,AE,A H AJ,A P-CT, EU-FD | 99 |

57-43-37

| FIG. & ITEM | PART NO. | AIRLINE PART NUMBER | NOMENCLATURE 1234567 | EFF CODE | QTY PER ASSY |
|-------------|-------------|---------------------|---|---|--------------|
| 01-50 | HL82-6APBW | | ..COLLAR- (V73197) (SPEC BACC30AG6) (OPT HL82-6APBW (V92215)) (OPT HL82-6APBW (V56878)) (OPT HL82-6APBW (V5M902)) | A-D, G-Q,T ,U,Y, AB,AD ,AE,A H AJ,A P-CT, EU-FD | 28 |
| 52 | BACB30NT3K3 | | ..BOLT | A-D, G-Q,T ,U,Y, AB,AD ,AE,A H AJ,A P-CT, EU-FD | 69 |
| 54 | AN960PD10L | | ..WASHER | A-D, G-Q,T ,U,Y, AB,AD ,AE,A H AJ,A P-CT, EU-FD | 69 |
| 56 | BACB30NT3K3 | | ..BOLT- (USED WITH ITEMS 34, 34F, 38, 38F) | A-D, G-Q,T ,U,Y, AB,AD ,AE,A H AJ,A P-CT, EU-FD | 2 |

57-43-37

 ILLUSTRATED PARTS LIST
 01.1 Page 1068
 Jul 01/03

| FIG. & ITEM | PART NO. | AIRLINE PART NUMBER | NOMENCLATURE 1234567 | EFF CODE | QTY PER ASSY |
|-------------|-------------|---------------------|--|---|--------------|
| 01-58 | AN960PD10L | | ..WASHER- (USED WITH ITEMS 34, 34F, 38, 38F) | A-D, G-Q,T ,U,Y, AB,AD ,AE,A H AJ,A P-CT, EU-FD | 2 |
| 60 | BACB30NN3K6 | | ..BOLT | A-D, G-Q,T ,U,Y, AB,AD ,AE,A H AJ,A P-CT, EU-FD | 23 |
| 62 | 114T3101-1 | | ..WASHER | A-D, G-Q,T ,U,Y, AB,AD ,AE,A H AJ,A P-CT, EU-FD | 22 |
| 63 | 114T3101-2 | | ..WASHER | A-D, G-Q,T ,U,Y, AB,AD ,AE,A H AJ,A P-CT, EU-FD | 1 |

57-43-37

| FIG. & ITEM | PART NO. | AIRLINE PART NUMBER | NOMENCLATURE 1234567 | EFF CODE | QTY PER ASSY |
|-------------|-------------|---------------------|---|---|--------------|
| 01-64 | BACB30NT3K3 | | ..BOLT- (REPLD BY ITEM 68) | A-D, G-Q,T ,U,Y, AB,AD ,AE,A H AJ,A P-CT, EU-FD | 6 |
| 66 | AN960PD10L | | ..WASHER- (USED WITH ITEM 64) | A-D, G-Q,T ,U,Y, AB,AD ,AE,A H AJ,A P-CT, EU-FD | 6 |
| 68 | BACB30NN3K6 | | ..BOLT- (REPLS ITEM 64) | A-D, G-Q,T ,U,Y, AB,AD ,AE,A H AJ,A P-CT, EU-FD | 6 |
| 70 | 114T3101-1 | | ..WASHER- (USED WITH ITEM 68) | A-D, G-Q,T ,U,Y, AB,AD ,AE,A H AJ,A P-CT, EU-FD | 6 |
| 72 | BACB30MY6K | | ..BOLT- (REPLD BY ITEM 76) (SIZE DETERMINE ON INST) | A-D, G-Q,T ,U,Y, AB,AD ,AE,A H AJ,A P-CT, EU-FD | 6 |

57-43-37

ILLUSTRATED PARTS LIST
01.1 Page 1068B
Jul 01/03

| FIG. & ITEM | PART NO. | AIRLINE PART NUMBER | NOMENCLATURE 1234567 | EFF CODE | QTY PER ASSY |
|-------------|---------------|---------------------|--|---|--------------|
| 01-74 | HL79-6 | | ..COLLAR- (V56878) (SPEC BACC30M6) (OPT HL79-6 (V73197)) (OPT HL79-6 (V92215)) (OPT 66014-6 (V56878)) (OPT HL79-6 (V5M902)) (USED WITH ITEM 72) | A-D, G-Q,T ,U,Y, AB,AD ,AE,A H AJ,A P-CT, EU-FD | 6 |
| 76 | BACB30NN3K6 | | ..BOLT- (REPLS ITEM 72) | A-D, G-Q,T ,U,Y, AB,AD ,AE,A H AJ,A P-CT, EU-FD | 6 |
| 78 | 114T3101-2 | | ..WASHER- (USED WITH ITEM 76) | A-D, G-Q,T ,U,Y, AB,AD ,AE,A H AJ,A P-CT, EU-FD | 6 |
| 80 | BACS40R09B09F | | ..SHIM | A-D, G-Q,T ,U,Y, AB,AD ,AE,A H AJ,A P-CT, EU-FD | 13 |

57-43-37

| FIG. & ITEM | PART NO. | AIRLINE PART NUMBER | NOMENCLATURE 1234567 | EFF CODE | QTY PER ASSY |
|-------------|---------------|---------------------|--|--|--------------|
| 01-82 | BACS40R09B18F | | ..SHIM | A-D, G-Q,T U,Y, AB,AD AE,A H AJ,A P-CT, EU-FD | 5 |
| 84 | BACS40R09B36F | | ..SHIM- (USED ON ITEMS 6, 6A, 6B, 8, 8A, 8B) | A,B, G-J,M N,Y, AB,AH AJ AP-AX BQ-B Z,CS, CT,EU EV EZ,FA | 3 |
| 86 | BACS40R09B20F | | ..SHIM- (USED ON ITEMS 6C, 8C) | A-D, G-Q,T U,Y, AB,AD AE,A H AJ,A P-CT, EU-FD | 1 |

57-43-37

ILLUSTRATED PARTS LIST
 01.1 Page 1068D
 Jul 01/03

| FIG. & ITEM | PART NO. | AIRLINE PART NUMBER | NOMENCLATURE 1234567 | EFF CODE | QTY PER ASSY |
|-------------|---------------|---------------------|---|---|--------------|
| 01-88 | BACS40R09B18F | | ..SHIM- (USED ON ITEMS 6C, 8C) -----*----- | A-D, G-Q,T ,U,Y, AB,AD ,AE,A H AJ,A P-CT, EU-FD | 2 |
| 90 | BACR15BA3AD | | ...RIVET- (SIZE DETERMINE ON INST) | A-D, G-Q,T ,U,Y, AB,AD ,AE,A H AJ,A P-CT, EU-FD | 260 |
| 92 | NS103225-02 | | ...NUTPLATE- (V80539) (SPEC BACN10KH3) (OPT RMF9209M3 (V72962)) (OPT RMF9209M3 (V72962)) | A-D, G-Q,T ,U,Y, AB,AD ,AE,A H AJ,A P-CT, EU-FD | 1 |
| 94 | BRFM20A3 | | ...NUTPLATE- (V52828) (SPEC BACN10JN3) (OPT MF1000-3BAC (V15653)) (OPT NS103218-02 (V80539)) (OPT RMF9201M3 (V72962)) (OPT VN252A02 (V92215)) (OPT MF1000-3BAC (V15653)) (OPT MF53049-3 (V15653)) | A-D, G-Q,T ,U,Y, AB,AD ,AE,A H AJ,A P-CT, EU-FD | 129 |

57-43-37

| FIG. & ITEM | PART NO. | AIRLINE PART NUMBER | NOMENCLATURE 1234567 | EFF CODE | QTY PER ASSY |
|-------------|-------------|---------------------|--|---|--------------|
| 01-96 | BACR15BA3AD | | ..RIVET- (SIZE DETERMINE ON INST) | A-D, G-Q,T ,U,Y, AB,AD ,AE,A H AJ,A P-CT, EU-FD | 58 |
| 98 | NS103225-02 | | ..NUTPLATE- (V80539) (SPEC BACN10KH3) (OPT RMF9209M3 (V72962)) (OPT RMF9209M3 (V72962)) | A-D, G-Q,T ,U,Y, AB,AD ,AE,A H AJ,A P-CT, EU-FD | 29 |
| 100 | BACR15BA3AD | | ..RIVET- (USED WITH ITEM 76) (SIZE DETERMINE ON INST) | A-D, G-Q,T ,U,Y, AB,AD ,AE,A H AJ,A P-CT, EU-FD | 12 |
| 102 | NS103225-02 | | ..NUTPLATE- (V80539) (SPEC BACN10KH3) (OPT RMF9209M3 (V72962)) (OPT RMF9209M3 (V72962)) (USED WITH ITEM 76) | A-D, G-Q,T ,U,Y, AB,AD ,AE,A H AJ,A P-CT, EU-FD | 6 |

57-43-37

ILLUSTRATED PARTS LIST
01.1 Page 1068F
Jul 01/03

| FIG. & ITEM | PART NO. | AIRLINE PART NUMBER | NOMENCLATURE 1234567 | EFF CODE | QTY PER ASSY |
|-------------|--------------|---------------------|--------------------------------|---|--------------|
| 01-104 | NAS1195DD3KH | | ..SHIM- (USED WITH ITEM 68) | A-D, G-Q,T ,U,Y, AB,AD ,AE,A H AJ,A P-CT, EU-FD | 6 |
| 106 | BACB30NT3K3 | | ..BOLT | A-D, G-Q,T ,U,Y, AB,AD ,AE,A H AJ,A P-CT, EU-FD | 137 |
| 108 | AN960PD10L | | ..WASHER | A-D, G-Q,T ,U,Y, AB,AD ,AE,A H AJ,A P-CT, EU-FD | 137 |
| 110 | BACB30NN3K6 | | ..BOLT | A-D, G-Q,T ,U,Y, AB,AD ,AE,A H AJ,A P-CT, EU-FD | 25 |
| 112 | 114T3101-1 | | ..WASHER | A-D, G-Q,T ,U,Y, AB,AD ,AE,A H AJ,A P-CT, EU-FD | 11 |

57-43-37

| FIG. & ITEM | PART NO. | AIRLINE PART NUMBER | NOMENCLATURE 1234567 | EFF CODE | QTY PER ASSY |
|-------------|-------------|---------------------|--------------------------------------|---|--------------|
| 01-114 | 114T3161-11 | | ..SKIN-COVE | A,C, G-K,M ,P,T, AD,AH ,AQ-B R EU-EY | 1 |
| -116 | 114T3161-12 | | ..SKIN-COVE | B,D,L ,N,Q, U,Y,A B,AE, AJ,AP BS-CT ,EZ- FD | 1 |
| 118 | 114T3161-1 | | ..SKIN-COVE | A,C, G-K,M ,P,T, AD,AH ,AQ-B R EU-EY | 1 |
| -120 | 114T3161-2 | | ..SKIN-COVE | B,D,L ,N,Q, U,Y,A B,AE, AJ,AP BS-CT ,EZ- FD | 1 |
| 122 | BACR15BA3AD | | ..RIVET- (SIZE DETERMINE ON INST) | A-D, G-Q,T ,U,Y, AB,AD ,AE,A H AJ,A P-CT, EU-FD | 94 |

57-43-37

 ILLUSTRATED PARTS LIST
 01.1 Page 1068H
 Jul 01/03

| FIG. & ITEM | PART NO. | AIRLINE PART NUMBER | NOMENCLATURE 1234567 | EFF CODE | QTY PER ASSY |
|-------------|-------------|---------------------|--|---|--------------|
| 01-124 | BRFM20A3 | | ..NUTPLATE- (V52828) (SPEC BACN10JN3) (OPT MF1000-3BAC (V15653)) (OPT NS103218-02 (V80539)) (OPT RMF9201M3 (V72962)) (OPT VN252A02 (V92215)) (OPT MF1000-3BAC (V15653)) (OPT MF53049-3 (V15653)) | A-D, G-Q,T ,U,Y, AB,AD ,AE,A H AJ,A P-CT, EU-FD | 47 |
| 126 | BACB30NT3K3 | | ..BOLT | A-D, K-Q,T ,U,AD ,AE,A Q-BP BS-CR ,EU- FD | 23 |
| 128 | AN960PD10L | | ..WASHER | A-D, K-Q,T ,U,AD ,AE,A Q-BP BS-CR ,EU- FD | 23 |
| 130 | BACB30NN3K6 | | ..BOLT | A-D, K-Q,T ,U,AD ,AE,A Q-BP BS-CR ,EU- FD | 4 |

57-43-37

| FIG. & ITEM | PART NO. | AIRLINE PART NUMBER | NOMENCLATURE 1234567 | EFF CODE | QTY PER ASSY |
|-------------|-------------|---------------------|--|--|--------------|
| 01-132 | 114T3101-1 | | ..WASHER | A-D, K-Q,T ,U,AD ,AE,A Q-BP BS-CR ,EU- FD | 2 |
| 133 | BACR15BA3AD | | ..RIVET- (SIZE DETERMINE ON INST) | A-D, K-Q,T ,U,AD ,AE,A Q-BP BS-CR ,EU- FD | 20 |
| 133G | BRFM20A3 | | ..NUTPLATE- (V52828) (SPEC BACN10JN3) (OPT MF1000-3BAC (V15653)) (OPT NS103218-02 (V80539)) (OPT RMF9201M3 (V72962)) (OPT VN252A02 (V92215)) (OPT MF1000-3BAC (V15653)) (OPT MF53049-3 (V15653)) | A-D, K-Q,T ,U,AD ,AE,A Q-BP BS-CR ,EU- FD | 10 |

57-43-37

 ILLUSTRATED PARTS LIST
 01.1 Page 1068J
 Jul 01/03

| FIG. & ITEM | PART NO. | AIRLINE PART NUMBER | NOMENCLATURE 1234567 | EFF CODE | QTY PER ASSY |
|-------------|-------------|---------------------|--|--|--------------|
| 01-134 | BACB30NT3K3 | | ..BOLT- (USED WITH ITEMS 154, 156, 160, 162) | A,B,M ,N,A Q-AX, BS-BZ ,EU,E V EZ,FA | 17 |
| 136 | AN960PD10L | | ..WASHER- (USED WITH ITEMS 154, 156, 160, 162) | A,B,M ,N,A Q-AX, BS-BZ ,EU,E V EZ,FA | 17 |
| 138 | BACB30NN3K6 | | ..BOLT- (USED WITH ITEMS 154, 156, 160, 162) | A,B,M ,N,A Q-AX, BS-BZ ,EU,E V EZ,FA | 3 |
| 140 | 114T3101-1 | | ..WASHER- (USED WITH ITEMS 154, 156, 160, 162) | A,B,M ,N,A Q-AX, BS-BZ ,EU,E V EZ,FA | 1 |
| 142 | BACB30NT3K3 | | DELETED | | |
| 144 | AN960PD10L | | DELETED | | |
| 146 | BACB30NT3K8 | | ..BOLT- (USED WITH ITEMS 158, 164) | A-D, K-Q,T ,U,AD ,AE,A Q-BP BS-CR ,EU- FD | 2 |

57-43-37

| FIG. & ITEM | PART NO. | AIRLINE PART NUMBER | NOMENCLATURE 1234567 | EFF CODE | QTY PER ASSY |
|--------------|-------------|---------------------|--|--|--------------|
| 01- -146A | BACB30NT3K8 | | ..BOLT | G-J,Y ,AB,A H,AJ, AP,BQ ,BR CS,CT | 2 |
| 148 | BACB30NN3K6 | | ..BOLT- (USED WITH ITEMS 158, 164) | A-D, K-Q,T ,U,AD ,AE,A Q-BP BS-CR ,EU- FD | 18 |
| -148A | BACB30NN3K6 | | ..BOLT | G-J,Y ,AB,A H,AJ, AP,BQ ,BR CS,CT | 18 |
| 150 | 114T3101-1 | | ..WASHER- (USED WITH ITEMS 158, 164) | A-D, K-Q,T ,U,AD ,AE,A Q-BP BS-CR ,EU- FD | 8 |
| -150A | 114T3101-1 | | ..WASHER | G-J,Y ,AB,A H,AJ, AP,BQ ,BR CS,CT | 8 |

57-43-37

 ILLUSTRATED PARTS LIST
 01.1 Page 1068L
 Jul 01/03

| FIG. & ITEM | PART NO. | AIRLINE PART NUMBER | NOMENCLATURE 1234567 | EFF CODE | QTY PER ASSY |
|-------------|-------------|---------------------|--|---|--------------|
| 01-152 | 114T3101-2 | | ..WASHER- (USED WITH ITEMS 158, 164) | A-D, K-Q,T U,AD AE,A Q-BP BS-CR EU- FD | 10 |
| -152A | 114T3101-2 | | ..WASHER | G-J,Y AB,A H,AJ, AP,BQ BR CS,CT | 10 |
| 153 | BACR15BA3AD | | ..RIVET- (SIZE DETERMINE ON INST) | G-J,Y AB,A H,AJ, AP,BQ BR CS,CT | 44 |
| 153H | NS103225-02 | | ..NUTPLATE- (V80539) (SPEC BACN10KH3) (OPT RMF9209M3 (V72962)) (OPT F29779-3 (V15653)) | G-J,Y AB,A H,AJ, AP,BQ BR CS,CT | 22 |
| 154 | 114T3161-25 | | ..SKIN-COVE (USED ON ITEMS 6W, 6X, 6Z) | A,M,A Q-AX, EU,EV | 1 |
| 156 | 114T3161-27 | | ..SKIN-COVE (USED ON ITEMS 6W, 6X, 6Y) | A,M,A Q-AX, EU,EV | 1 |
| 158 | 114T3161-37 | | ..SKIN-COVE (USED ON ITEM 6Z) | A,C,K M,P, T,AD, AQ-BP EU-EY | 1 |
| -158A | 114T3161-37 | | ..SKIN-COVE | G-J,A H,BQ, BR | 1 |

57-43-37

| FIG. & ITEM | PART NO. | AIRLINE PART NUMBER | NOMENCLATURE 1234567 | EFF CODE | QTY PER ASSY |
|-------------|-------------|---------------------|---|--|--------------|
| 01- -160 | 114T3161-26 | | ..SKIN-COVE (USED ON ITEMS 8, 8A, 8B) | B,N,B S-BZ, EZ,FA | 1 |
| -162 | 114T3161-28 | | ..SKIN-COVE (USED ON ITEMS 8, 8A, 8B) | B,N,B S-BZ, EZ,FA | 1 |
| -164 | 114T3161-38 | | ..SKIN-COVE (USED ON ITEMS 8C) | B,D,L ,N,Q, U,AE, BS-CR EZ-FD | 1 |
| -164A | 114T3161-38 | | ..SKIN-COVE | Y,AB, AJ,AP ,CS,C T | 1 |
| 166 | 114T3161-23 | | ..DOUBLER ASSY- (USED ON ITEMS 6W, 6X, 6Y) (USED WITH ITEMS 192, 192F, 194, 194F) | A,M,A Q-AX, EU,EV | 1 |
| -168 | 114T3161-24 | | ..DOUBLER ASSY- (USED ON ITEMS 8, 8A, 8B) (USED WITH ITEMS 192, 192F, 194, 194F) | B,N,B S-BZ, EZ,FA | 1 |
| 170 | BACB30MY6K | | ATTACHING PARTS ..BOLT- (SIZE DETERMINE ON INST) | A,B,M ,N,A Q-AX, BS-BZ ,EU,E V EZ,FA | 20 |

57-43-37

 ILLUSTRATED PARTS LIST
 01.1 Page 1068N
 Jul 01/03

| FIG. & ITEM | PART NO. | AIRLINE PART NUMBER | NOMENCLATURE 1234567 | EFF CODE | QTY PER ASSY |
|-------------|------------|---------------------|--|--|--------------|
| 01-172 | HL79-6 | | ..COLLAR- (V56878) (SPEC BACC30M6) (OPT HL79-6 (V73197)) (OPT HL79-6 (V92215)) (OPT 66014-6 (V56878)) (OPT HL79-6 (V5M902)) (REPLD BY ITEM 174) | A,B,M ,N,A Q-AX, BS-BZ ,EU,E V EZ,FA | 10 |
| 174 | HL82-6APBW | | ..COLLAR- (V73197) (SPEC BACC30AG6) (OPT HL82-6APBW (V92215)) (OPT HL82-6APBW (V56878)) (OPT HL82-6APBW (V5M902)) (REPLS ITEM 172) | A,B,M ,N,A Q-AX, BS-BZ ,EU,E V EZ,FA | 10 |
| 176 | HL79-6 | | ..COLLAR- (V56878) (SPEC BACC30M6) (OPT HL79-6 (V73197)) (OPT HL79-6 (V92215)) (OPT 66014-6 (V56878)) (OPT HL79-6 (V5M902)) -----* | A,B,M ,N,A Q-AX, BS-BZ ,EU,E V EZ,FA | 10 |

57-43-37

| FIG. & ITEM | PART NO. | AIRLINE PART NUMBER | NOMENCLATURE 1234567 | EFF CODE | QTY PER ASSY |
|-------------|-------------|---------------------|---|--|--------------|
| 01-178 | BACR15BA3AD | | ...RIVET- (SIZE DETERMINE ON INST) | A,B,M ,N,A Q-AX, BS-BZ ,EU,E V EZ,FA | 40 |
| 180 | BACN10JQ32 | | ...NUTPLATE | A,B,M ,N,A Q-AX, BS-BZ ,EU,E V EZ,FA | 15 |
| 182 | BRFM20A3 | | ...NUTPLATE- (V52828) (SPEC BACN10JN3) (OPT MF1000-3BAC (V15653)) (OPT NS103218-02 (V80539)) (OPT RMF9201M3 (V72962)) (OPT VN252A02 (V92215)) (OPT MF1000-3BAC (V15653)) (OPT MF53049-3 (V15653)) | A,B,M ,N,A Q-AX, BS-BZ ,EU,E V EZ,FA | 1 |
| 184 | NS103225-02 | | ...NUTPLATE- (V80539) (SPEC BACN10KH3) (OPT RMF9209M3 (V72962)) (OPT RMF9209M3 (V72962)) | A,B,M ,N,A Q-AX, BS-BZ ,EU,E V EZ,FA | 4 |

57-43-37

 ILLUSTRATED PARTS LIST
 01.1 Page 1068P
 Jul 01/03

| FIG. & ITEM | PART NO. | AIRLINE PART NUMBER | NOMENCLATURE 1234567 | EFF CODE | QTY PER ASSY |
|-------------|--------------|---------------------|---|--|--------------|
| 01-186 | NAS1195DD3KM | | ...SHIM | A,B,M ,N,A Q-AX, BS-BZ ,EU,E V EZ,FA | 4 |
| 188 | 114T3161-17 | | ...DOUBLER | A,M,A Q-AX, EU,EV | 1 |
| -190 | 114T3161-18 | | ...DOUBLER | B,N,B S-BZ, EZ,FA | 1 |
| 192 | 114T3157-17 | | ..ARM ASSY-RIB AND AUX (USED ON ITEM 6) | A,M,A Q-AX, EU,EV | 1 |
| -192F | 114T3157-23 | | ..ARM ASSY-RIB AND AUX (USED ON ITEMS 6A, 6B) | A,M,A Q-AX, EU,EV | 1 |
| -194 | 114T3157-18 | | ..ARM ASSY-RIB AND AUX (USED ON ITEM 8) | B,N,B S-BZ, EZ,FA | 1 |
| -194F | 114T3157-24 | | ..ARM ASSY-RIB AND AUX (USED ON ITEMS 8A, 8B) | B,N,B S-BZ, EZ,FA | 1 |
| 196 | BACB30NU3K3 | | ATTACHING PARTS ..BOLT | A,B,M ,N,A Q-AX, BS-BZ ,EU,E V EZ,FA | 4 |
| 198 | HL82-6APBW | | ..COLLAR- (V73197) (SPEC BACC30AG6) (OPT HL82-6APBW (V92215)) (OPT HL82-6APBW (V56878)) (OPT HL82-6APBW (V5M902)) (OPT ITEM 202 USED WITH ITEM 200) | A,B,M ,N,A Q-AX, BS-BZ ,EU,E V EZ,FA | 4 |

57-43-37

| FIG. & ITEM | PART NO. | AIRLINE PART NUMBER | NOMENCLATURE 1234567 | EFF CODE | QTY PER ASSY |
|-------------|------------|---------------------|---|--|--------------|
| 01-200 | AS46-3 | | ..WASHER- (V10630) (SPEC BACW10AU3) (OPT K19701P3 (V15653)) (OPT 53488W1032 (V56878)) (OPT 6073-0 (V72962)) (OPT TLN1020L3W (V08524)) (USED WITH ITEM 202) | A,B,M ,N,A Q-AX, BS-BZ ,EU,E V EZ,FA | 4 |
| 202 | H19700P3 | | ..NUT- (V15653) (SPEC BACN10MT3) (OPT TLN1020-3N (V08524)) (OPT 52LH6073-02 (V72962)) (OPT 53488-1032 (V56878)) (OPT ITEM 198) (USED WITH ITEM 200) | A,B,M ,N,A Q-AX, BS-BZ ,EU,E V EZ,FA | 4 |
| 204 | BACB30NW6K | | ..BOLT- (REPLD BY ITEM 208) (SIZE DETERMINE ON INST) | A,B,M ,N,A Q-AX, BS-BZ ,EU,E V EZ,FA | 22 |
| 206 | HL79-6 | | ..COLLAR- (V56878) (SPEC BACC30M6) (OPT HL79-6 (V73197)) (OPT HL79-6 (V92215)) (OPT 66014-6 (V56878)) (OPT HL79-6 (V5M902)) (USED WITH ITEM 204) | A,B,M ,N,A Q-AX, BS-BZ ,EU,E V EZ,FA | 22 |

57-43-37

 ILLUSTRATED PARTS LIST
 01.1 Page 1068R
 Jul 01/03

015T0165
 015T1507
 114T3100
 DASH NUMBERS LIMITED

 **BOEING**
 COMPONENT
 MAINTENANCE MANUAL

| FIG. & ITEM | PART NO. | AIRLINE PART NUMBER | NOMENCLATURE 1234567 | EFF CODE | QTY PER ASSY |
|-------------|-------------|---------------------|---|--|--------------|
| 01-208 | BACR15CE6KE | | ..RIVET- (REPLS ITEM 204) (SIZE DETERMINE ON INST) (NHA 114T3100) | A,B,M ,N,A Q-AX, BS-BZ ,EU,E V EZ,FA | 22 |
| 209 | BACB30NW6K | | ..BOLT | A,B,M ,N,A Q-AX, BS-BZ ,EU,E V EZ,FA | 2 |
| 209G | HL82-6APBW | | ..COLLAR- (V73197) (SPEC BACC30AG6) (OPT HL82-6APBW (V92215)) (OPT HL82-6APBW (V56878)) (OPT HL82-6APBW (V5M902)) | A,B,M ,N,A Q-AX, BS-BZ ,EU,E V EZ,FA | 2 |
| 210 | BACR15CE5KE | | ..RIVET- (SIZE DETERMINE ON INST) | A,B,M ,N,A Q-AX, BS-BZ ,EU,E V EZ,FA | 6 |

57-43-37

ILLUSTRATED PARTS LIST
 01.1 Page 1068S
 Jul 01/03

| FIG. & ITEM | PART NO. | AIRLINE PART NUMBER | NOMENCLATURE 1234567 | EFF CODE | QTY PER ASSY |
|-------------|--------------|---------------------|---|--|--------------|
| 01-212 | BACR15CE6KE | | ..RIVET- (SIZE DETERMINE ON INST) -----*----- | A,B,M ,N,A Q-AX, BS-BZ ,EU,E V EZ,FA | 2 |
| 214 | BACB30LE8-34 | | ...BOLT | A,B,M ,N,A Q-AX, BS-BZ ,EU,E V EA,FA | 1 |
| 216 | BACW10BP8CD | | ...WASHER | A,B,M ,N,A Q-AX, BS-BZ ,EU,E V EZ,FA | 1 |
| 218 | BACW10P365LA | | ...WASHER | A,B,M ,N,A Q-AX, BS-BZ ,EU,E V EZ,FA | 2 |

57-43-37

 ILLUSTRATED PARTS LIST
 01.1 Page 1068T
 Jul 01/03

| FIG. & ITEM | PART NO. | AIRLINE PART NUMBER | NOMENCLATURE 1234567 | EFF CODE | QTY PER ASSY |
|-------------|-------------|---------------------|--|--|--------------|
| 01-220 | BACW10BP8DP | | ...WASHER | A,B,M ,N,A Q-AX, BS-BZ ,EU,E V EZ,FA | 1 |
| 222 | BH003028 | | ...NUT- (V27238) (SPEC BACN10HR8) (OPT BMNN10HR8 (V97928)) (OPT CR59068 (V62554)) (OPT H968 (V15653)) (OPT RMLH228 (V72962)) (OPT VAL280098 (V06710)) (OPT 678328 (V56878)) (OPT H96-8 (V15653)) (OPT RMLH22-8 (V72962)) (OPT 67832-820 (V56878)) (OPT BMN10HR8 (V97928)) (OPT BH00302-8 (V27238)) (OPT RMLH22-8 (V72962)) (OPT 67832-820 (V56878)) (OPT BMN10HR8 (V97928)) (OPT BH00302-8 (V27238)) | A,B,M ,N,A Q-AX, BS-BZ ,EU,E V EZ,FA | 1 |

57-43-37

| FIG. & ITEM | PART NO. | AIRLINE PART NUMBER | NOMENCLATURE 1234567 | EFF CODE | QTY PER ASSY |
|-------------|--------------|---------------------|-------------------------|---|--------------|
| 01-224 | BACB30LE7-28 | | ...BOLT | A,B,M ,N,A Q-AX, BS-BZ ,EU,E V EZ,FA | 1 |
| 226 | BACW10BP7CD | | ...WASHER | A,B,M ,N,A Q-AX, BS-BZ ,EU,E V | 1 |
| 228 | BACW10P364LA | | ...WASHER | EZ,FD A,B,M ,N,A Q-AX, BS-BZ ,EU,E V | 2 |
| 230 | BACW10BP7DP | | ...WASHER | EZ,FA A,B,M ,N,A Q-AX, BS-BZ ,EU,E V EZ,FA | 1 |

57-43-37

ILLUSTRATED PARTS LIST
 01.1 Page 1068V
 Jul 01/03

| FIG. & ITEM | PART NO. | AIRLINE PART NUMBER | NOMENCLATURE 1234567 | EFF CODE | QTY PER ASSY |
|-------------|--------------|---------------------|---|--|--------------|
| 01-232 | BH003027 | | ...NUT- (V27238) (SPEC BACN10HR7) (OPT BMNN10HR7 (V97928)) (OPT CR59067 (V62554)) (OPT H967 (V15653)) (OPT RMLH227 (V72962)) (OPT VAL280097 (V06710)) (OPT 678327 (V56878)) (OPT H96-7 (V15653)) (OPT RMLH22-7 (V72962)) (OPT 67832-720 (V56878)) (OPT BMNN10HR7 (V97928)) (OPT BH00302-7 (V27238)) | A,B,M ,N,A Q-AX, BS-BZ ,EU,E V EZ,FA | 1 |
| 234 | BACB28U8C052 | | ...BUSHING | A,B,M ,N,A Q-AX, BS-BZ ,EU,E V EZ,FA | 2 |
| 236 | BACB28U8C090 | | ...BUSHING | A,B,M ,N,A Q-AX, BS-BZ ,EU,E V EZ,FA | 1 |
| 238 | 114T3147-1 | | ...RIB ASSY- (USED ON ITEM 192) | A,M,A Q-AX, EU,EV EZ,FA | 1 |
| -238F | 114T3180-1 | | ...RIB ASSY- (USED ON ITEM 192F) | A,M,A Q-AX, EU,EV | 1 |

57-43-37

| FIG. & ITEM | PART NO. | AIRLINE PART NUMBER | NOMENCLATURE 1234567 | EFF CODE | QTY PER ASSY |
|-------------|--------------|---------------------|-------------------------------------|--|--------------|
| 01- -240 | 114T3147-2 | | ...RIB ASSY- (USED ON ITEM 194) | B,N,B S-BZ, EA,FA | 1 |
| -240F | 114T3180-2 | | ...RIB ASSY- (USED ON ITEM 194F) | B,N,B S-BZ, EA,FA | 1 |
| 242 | BACB28U7C090 | |BUSHING | A,B,M ,N,A Q-AX, BS-BZ ,EU,E V EZ,FA | 1 |
| 244 | 114T3147-3 | |RIB- (USED ON ITEM 238) | A,M,A Q-AX, EU,EV | 1 |
| -244F | 114T3180-3 | |RIB- (USED ON ITEM 238F) | A,M,A Q-AX, EU,EV | 1 |
| -246 | 114T3147-4 | |RIB- (USED ON ITEM 240) | B,N,B S-BZ, EZ,FA | 1 |
| -246F | 114T3180-4 | |RIB- (USED ON ITEM 240F) | B,N,B S-BZ, EZ,FA | 1 |
| 248 | 114T3400-37 | | ...ARM ASSY | A,M,A Q-AX, EU,EV | 1 |
| -250 | 114T3400-38 | | ...ARM ASSY | B,N,B S-BZ, EZ,FA | 1 |

57-43-37

 ILLUSTRATED PARTS LIST
 01.1 Page 1068X
 Jul 01/03

| FIG. & ITEM | PART NO. | AIRLINE PART NUMBER | NOMENCLATURE 1234567 | EFF CODE | QTY PER ASSY |
|-------------|-------------|---------------------|---|--|--------------|
| 01-252 | 114T3400-39 | | ...ARM ASSY | A,M,A Q-AX, EU,EV | 1 |
| -254 | 114T3400-40 | | ...ARM ASSY | B,N,B S-BZ, EZ,FA | 1 |
| 256 | HL11VAZ5-5 | |BOLT- (V56878) (SPEC BACB30NW5K5) (OPT B30NW5K5 (V97928)) (OPT HL11VAZ5-5 (V73197)) (OPT HL11VAZ5-5 (V92215)) (OPT HL11VAZ5-5 (V97928)) (OPT L803-5K5 (V06725)) (OPT HL11VAZ5-5 (V0PTK6)) (OPT HL11VAZ5-5 (V60516)) | A,B,M ,N,A Q-AX, BS-BZ ,EU,E V EZ,FA | 1 |
| 258 | HL11VAZ5-4 | |BOLT- (V56878) (SPEC BACB30NW5K4) (OPT B30NW5K4 (V97928)) (OPT HL11VAZ5-4 (V73197)) (OPT HL11VAZ5-4 (V92215)) (OPT HL11VAZ5-4 (V97928)) (OPT L803-5K4 (V06725)) (OPT HL11VAZ5-4 (V0PTK6)) (OPT HL11VAZ5-4 (V60516)) | A,B,M ,N,A Q-AX, BS-BZ ,EU,E V EZ,FA | 1 |

57-43-37

| FIG. & ITEM | PART NO. | AIRLINE PART NUMBER | NOMENCLATURE 1234567 | EFF CODE | QTY PER ASSY |
|-------------|-------------------------------|---------------------|-------------------------|--|--------------|
| 01-260 | AN960PD8L | |WASHER | A,B,M ,N,A Q-AX, BS-BZ ,EU,E V EZ,FA | 2 |
| 262 | BACN10JC08CD | |NUT | A,B,M ,N,A Q-AX, BS-BZ ,EU,E V EZ,FA | 2 |
| 264 | 114T3008-1 | |PLATE-RUB | A,B,M ,N,A Q-AX, BS-BZ ,EU,E V EZ,FA | 1 |
| 266 | BACB28AP08P019 | |BUSHING | A,B,M ,N,A Q-AX, BS-BZ ,EU,E V EZ,FA | 1 |
| 268 268A | BACB28AU7C031 BACB28U7C031 | | DELETEDBUSHING | A,B,M ,N,A Q-AX, BS-BZ ,EU,E V EZ,FA | 1 |

57-43-37

 ILLUSTRATED PARTS LIST
 01.1 Page 1068Z
 Jul 01/03

| FIG. & ITEM | PART NO. | AIRLINE PART NUMBER | NOMENCLATURE 1234567 | EFF CODE | QTY PER ASSY |
|-----------------|-------------|---------------------|-------------------------------------|--|--------------|
| 01-270 | 114T3400-49 | |ARM- (USED ON ITEM 248) | A,M,A Q-AX, EU,EV | 1 |
| -272 | 114T3400-50 | |ARM- (USED ON ITEM 250) | B,N,B S-BZ, EZ,FA | 1 |
| 274 | 114T3400-51 | |ARM- (USED ON ITEM 252) | A,M,A Q-AX, EU,EV | 1 |
| -276 | 114T3400-52 | |ARM- (USED ON ITEM 254) | B,N,B S-BZ, EZ,FA | 1 |
| 278 | 114T3172-7 | | DELETED | | |
| 278A | 114T3172-11 | | ..RIB ASSY-AUX (USED ON ITEM 6C) | A,M,A Q-AX, EU,EV | 1 |
| -278B | 114T3172-13 | | ..RIB ASSY-AUX | C,K,P ,T,AD ,AY-B P,E W-EY | 1 |
| -278C | 114T3172-21 | | ..RIB ASSY-AUX | G-J,A H,BQ, BR | 1 |
| -279 | 114T3172-8 | | DELETED | | |
| -279A | 114T3172-12 | | ..RIB ASSY-AUX (USED ON ITEM 8C) | B,N,B S-BZ, EZ,FA | 1 |
| -279B | 114T3172-14 | | ..RIB ASSY-AUX | D,L,Q ,U,AE ,CA-C R,F B-FD | 1 |
| -279C | 114T3172-22 | | ..RIB ASSY-AUX | Y,AB, AJ,AP ,CS,C T | 1 |
| ATTACHING PARTS | | | | | |

57-43-37

| FIG. & ITEM | PART NO. | AIRLINE PART NUMBER | NOMENCLATURE 1234567 | EFF CODE | QTY PER ASSY |
|-------------|-------------|---------------------|---|---|--------------|
| 01-280 | BACB30NU3K3 | | ..BOLT | A-D, G-Q,T ,U,Y, AB,AD ,AE,A H AJ,A P-CT, EU-FD | 4 |
| 282 | HL82-6APBW | | ..COLLAR- (V73197) (SPEC BACC30AG6) (OPT HL82-6APBW (V92215)) (OPT HL82-6APBW (V56878)) (OPT HL82-6APBW (V5M902)) (OPT ITEM 286 USED WITH ITEM 284) | A-D, G-Q,T ,U,Y, AB,AD ,AE,A H AJ,A P-CT, EU-FD | 4 |
| 284 | AS46-3 | | ..WASHER- (V10630) (SPEC BACW10AU3) (OPT K19701P3 (V15653)) (OPT 53488W1032 (V56878)) (OPT 6073-0 (V72962)) (OPT TLN1020L3W (V08524)) (USED WITH ITEM 286) | A-D, G-Q,T ,U,Y, AB,AD ,AE,A H AJ,A P-CT, EU-FD | 4 |
| 286 | H19700P3 | | ..NUT- (V15653) (SPEC BACN10MT3) (OPT TLN1020-3N (V08524)) (OPT 52LH6073-02 (V72962)) (OPT 53488-1032 (V56878)) (OPT ITEM 282) (USED WITH ITEM 284) | A-D, G-Q,T ,U,Y, AB,AD ,AE,A H AJ,A P-CT, EU-FD | 4 |

57-43-37

 ILLUSTRATED PARTS LIST
 01.1 Page 1070
 Jul 01/03

| FIG. & ITEM | PART NO. | AIRLINE PART NUMBER | NOMENCLATURE 1234567 | EFF CODE | QTY PER ASSY |
|--------------------|--|---------------------|--|--|--------------|
| 01-288 | BACB30NW6K | | ..BOLT- (SIZE DETERMINE ON INST) | A-D, K-Q,T ,U,AD ,AE,A Q-BP BS-CR ,EU- FD | 22 |
| -288A 290 | BACB30NN3K6 HL82-6APBW | | DELETED ..COLLAR- (V73197) (SPEC BACC30AG6) (OPT HL82-6APBW (V92215)) (OPT HL82-6APBW (V56878)) (OPT HL82-6APBW (V5M902)) | A-D, K-Q,T ,U,AD ,AE,A Q-BP BS-CR ,EU- FD | 22 |
| 291 291H 292 | BACR15BA3AD NS103225-02 BACB30NW5K | | DELETED DELETED ..BOLT- (SIZE DETERMINE ON INST) | A-D, K-Q,T ,U,AD ,AE,A Q-BP BS-CR ,EU- FD | 6 |
| 294 | HL82-5APBW | | ..COLLAR- (V73197) (SPEC BACC30AG5) (OPT HL82-5APBW (V56878)) -----* | A-D, K-Q,T ,U,AD ,AE,A Q-BP BS-CR ,EU- FD | 6 |

57-43-37

| FIG. & ITEM | PART NO. | AIRLINE PART NUMBER | NOMENCLATURE 1234567 | EFF CODE | QTY PER ASSY |
|-------------|-------------------------|---------------------|--|---|--------------|
| 01-296 | HL11VAZ5-5 | | ...BOLT- (V56878) (SPEC BACB30NW5K5) (OPT B30NW5K5 (V97928)) (OPT HL11VAZ5-5 (V73197)) (OPT HL11VAZ5-5 (V92215)) (OPT HL11VAZ5-5 (V97928)) (OPT L803-5K5 (V06725)) (OPT HL11VAZ5-5 (V0PTK6)) (OPT HL11VAZ5-5 (V60516)) | A-D, G-Q,T ,U,Y, AB,AD ,AE,A H AJ,A P-CT, EU-FD | 2 |
| 298 | HL11VAZ5-4 | | ...BOLT- (V56878) (SPEC BACB30NW5K4) (OPT B30NW5K4 (V97928)) (OPT HL11VAZ5-4 (V73197)) (OPT HL11VAZ5-4 (V92215)) (OPT HL11VAZ5-4 (V97928)) (OPT L803-5K4 (V06725)) (OPT HL11VAZ5-4 (V0PTK6)) (OPT HL11VAZ5-4 (V60516)) | A-D, G-Q,T ,U,Y, AB,AD ,AE,A H AJ,A P-CT, EU-FD | 2 |
| 300 300A | AN960PD10L AN960PD8L | | DELETED ...WASHER | A-D, G-Q,T ,U,Y, AB,AD ,AE,A H AJ,A P-CT, EU-FD | 4 |

57-43-37

ILLUSTRATED PARTS LIST
01.1 Page 1070B
Jul 01/03

| FIG. & ITEM | PART NO. | AIRLINE PART NUMBER | NOMENCLATURE 1234567 | EFF CODE | QTY PER ASSY |
|-------------|--------------------------|---------------------|---------------------------------------|---|--------------|
| 01-302 | BACN10JC08CD | | ...NUT | A-D, G-Q,T U,Y, AB,AD AE,A H AJ,A P-CT, EU-FD | 4 |
| 304 304A | 114T3008-1 114T3008-2 | | DELETED ...PLATE-RUB | A-D, G-Q,T U,Y, AB,AD AE,A H AJ,A P-CT, EU-FD | 1 |
| 306 | BACB28AP08P019 | | ...BUSHING | A-D, G-Q,T U,Y, AB,AD AE,A H AJ,A P-CT, EU-FD | 2 |
| 308 | BACR15BA3AD | | ...RIVET- (SIZE DETERMINE ON INST) | A-D, K-Q,T U,AD AE,A Q-BP BS-CR EU-FD | 40 |

57-43-37

| FIG. & ITEM | PART NO. | AIRLINE PART NUMBER | NOMENCLATURE 1234567 | EFF CODE | QTY PER ASSY |
|-------------|-------------|---------------------|---|--|--------------|
| 01-310 | BRFM20A3 | | ...NUTPLATE- (V52828) (SPEC BACN10JN3) (OPT MF1000-3BAC (V15653)) (OPT NS103218-02 (V80539)) (OPT RMF9201M3 (V72962)) (OPT VN252A02 (V92215)) (OPT MF1000-3BAC (V15653)) (OPT MF53049-3 (V15653)) | A-D, K-Q,T ,U,AD ,AE,A Q-BP BS-CR ,EU- FD | 2 |
| 312 | NS103225-02 | | ...NUTPLATE- (V80539) (SPEC BACN10KH3) (OPT RMF9209M3 (V72962)) (OPT RMF9209M3 (V72962)) | A-D, K-Q,T ,U,AD ,AE,A Q-BP BS-CR ,EU- FD | 18 |
| 314 | 114T3172-9 | | ...RIB | A,M,A Q-AX, EU,EV | 1 |
| -314A | 114T3172-15 | | ...RIB | C,K,P ,T,AD ,AY-B P,E W-EY | 1 |
| -314B | 114T3172-23 | | ...RIB | G-J,A H,BQ, BR | 1 |

57-43-37

 ILLUSTRATED PARTS LIST
 01.1 Page 1070D
 Jul 01/03

| FIG. & ITEM | PART NO. | AIRLINE PART NUMBER | NOMENCLATURE 1234567 | EFF CODE | QTY PER ASSY |
|-------------|---------------------------|---------------------|-------------------------|---|--------------|
| 01- -316 | 114T3172-10 | | ...RIB | B,N,B S-BZ, EZ,FA | 1 |
| -316A | 114T3172-16 | | ...RIB | D,L,Q ,U,AE ,CA-C R,F B-FD | 1 |
| -316B | 114T3172-24 | | ...RIB | Y,AB, AJ,AP ,CS,C T | 1 |
| 318 | BACB30NT3K3 | | ..BOLT | A-D, G-Q,T ,U,Y, AB,AD ,AE,A H AJ,A P-CT, EU-FD | 50 |
| 318A 320 | BACB30NT3K3 AN960PD10L | | DELETED ..WASHER | A-D, G-Q,T ,U,Y, AB,AD ,AE,A H AJ,A P-CT, EU-FD | 50 |

57-43-37

| FIG. & ITEM | PART NO. | AIRLINE PART NUMBER | NOMENCLATURE 1234567 | EFF CODE | QTY PER ASSY |
|-------------|-------------|---------------------|--|---|--------------|
| 01-322 | BACB30NN3K6 | | ..BOLT | A-D, G-Q,T U,Y, AB,AD AE,A H AJ,A P-CT, EU-FD | 15 |
| 324 | 114T3101-1 | | ..WASHER | A-D, G-Q,T U,Y, AB,AD AE,A H AJ,A P-CT, EU-FD | 9 |
| 326 | BACB30NT3K3 | | ..BOLT- (USED WITH ITEMS 346, 350, 354, 358) | A-D, M-Q,A Q-BD, BS-CF EU-E W EZ,FB | 20 |
| 328 | AN960PD10L | | ..WASHER- (USED WITH ITEMS 346, 350, 354, 358) | A-D, M-Q,A Q-BD, BS-CF EU-E W EZ-FB | 20 |
| 330 | BACB30NN3K6 | | ..BOLT- (USED WITH ITEMS 346, 350, 354, 358) | A-D, M-Q,A Q-BD, BS-CF EU-E W EZ-FB | 2 |

57-43-37

ILLUSTRATED PARTS LIST
01.1 Page 1070F
Jul 01/03

| FIG. & ITEM | PART NO. | AIRLINE PART NUMBER | NOMENCLATURE 1234567 | EFF CODE | QTY PER ASSY |
|--------------------------|--|---------------------|--|--|--------------|
| 01- 332 334 336 | BACB30NT3K3 AN960PD10L BACB30NN3K6 | | DELETED DELETED ..BOLT- (USED WITH ITEMS 348, 352, 356, 360) | A-D, K-Q,T ,U,AD ,AE,A Q-BP BS-CR ,EU- FD | 13 |
| -336A | BACB30NN3K6 | | ..BOLT | G-J,Y ,AB,A H,AJ, AP,BQ ,BR CS,CT | 13 |
| 338 | 114T3101-1 | | ..WASHER- (USED WITH ITEMS 348, 352, 356, 360) | A-D, K-Q,T ,U,AD ,AE,A Q-BP BS-CR ,EU- FD | 2 |
| -338A | 114T3101-1 | | ..WASHER | G-J,Y ,AB,A H,AJ, AP,BQ ,BR CS,CT | 2 |

57-43-37

| FIG. & ITEM | PART NO. | AIRLINE PART NUMBER | NOMENCLATURE 1234567 | EFF CODE | QTY PER ASSY |
|-------------|-------------|---------------------|---|--|--------------|
| 01-340 | 114T3101-2 | | ..WASHER- (USED WITH ITEMS 348, 352, 356, 360) | A-D, K-Q,T ,U,AD ,AE,A Q-BP BS-CR ,EU- FD | 11 |
| -340A | 114T3101-2 | | ..WASHER | G-J,Y ,AB,A H,AJ, AP,BQ ,BR CS,CT | 11 |
| 342 | BACB30NT3K8 | | ..BOLT- (USED WITH ITEMS 348, 352, 356, 360) | A-D, K-Q,T ,U,AD ,AE,A Q-BP BS-CR ,EU- FD | 6 |
| -342A | BACB30NT3K8 | | ..BOLT | G-J,Y ,AB,A H,AJ, AP,BQ ,BR CS,CT | 6 |
| 344 | 114T3168-5 | | ..FILLER-RADII (USED WITH ITEMS 348, 352, 356, 360) | A-D, K-Q,T ,U,AD ,AE,A Q-BP BS-CR ,EU- FD | 6 |
| -344A | 114T3168-5 | | ..FILLER-RADII | G-J,Y ,AB,A H,AJ, AP,BQ ,BR CS,CT | 6 |

57-43-37

 ILLUSTRATED PARTS LIST
 01.1 Page 1070H
 Jul 01/03

| FIG. & ITEM | PART NO. | AIRLINE PART NUMBER | NOMENCLATURE 1234567 | EFF CODE | QTY PER ASSY |
|-------------|-------------|---------------------|--|--|--------------|
| 01-345 | BACR15BA3AD | | ..RIVET- (SIZE DETERMINE ON INST) | G-J,Y ,AB,A H,AJ, AP,BQ ,BR CS,CT | 48 |
| 345H | NS103225-02 | | ..NUTPLATE- (V80539) (SPEC BACN10KH3) (OPT RMF9209M3 (V72962)) (OPT F29779-3 (V15653)) | G-J,Y ,AB,A H,AJ, AP,BQ ,BR CS,CT | 24 |
| 346 | 114T3161-9 | | ..SKIN-COVE (USED ON ITEMS 6W, 6X, 6Y) | A,M,A Q-AX, EU,EV | 1 |
| 348 | 114T3161-35 | | ..SKIN-COVE (USED ON ITEM 6Z) | A,C,K ,M,P, T,AD, AQ-BP EU-EY | 1 |
| -348A | 114T3161-35 | | ..SKIN-COVE | G-J,A H,BQ, BR | 1 |
| -350 | 114T3161-10 | | ..SKIN-COVE (USED ON ITEMS 8, 8A, 8B) | B,N,B S-BZ, EZ,FA | 1 |
| -352 | 114T3161-36 | | ..SKIN-COVE (USED ON ITEM 8C) | B,D,L ,N,Q, U,AE, BS-CR EZ-FD | 1 |
| -352A | 114T3161-36 | | ..SKIN-COVE | Y,AB, AJ,AP ,CS,C T | 1 |

57-43-37

| FIG. & ITEM | PART NO. | AIRLINE PART NUMBER | NOMENCLATURE 1234567 | EFF CODE | QTY PER ASSY |
|-------------|-------------|---------------------|---|---|--------------|
| 01-354 | 114T3161-7 | | ..SKIN-COVE (USED ON ITEMS 6W, 6X, 6Y) | A,M,A Q-AX, EU,EV | 1 |
| 356 | 114T3161-33 | | ..SKIN-COVE (USED ON ITEM 6Z) | A,C,K ,M,P, T,AD, AQ-BP EU-EY | 1 |
| -356A | 114T3161-33 | | ..SKIN-COVE | G-J,A H,BQ, BR | 1 |
| -358 | 114T3161-8 | | ..SKIN-COVE (USED ON ITEMS 8, 8A, 8B) | B,N,B S-BZ, EZ,FA | 1 |
| -360 | 114T3161-34 | | ..SKIN-COVE (USED ON ITEM 8C) | B,D,L ,N,Q, U,AE, BS-CR EZ-FD | 1 |
| -360A | 114T3161-34 | | ..SKIN-COVE | Y,AB, AJ,AP ,CS,C T | 1 |
| 362 | BACR15BA3AD | | ..RIVET- (SIZE DETERMINE ON INST) | A-D, G-Q,T ,U,Y, AB,AD ,AE,A H AJ,A P-CT, EU-FD | 54 |

57-43-37

ILLUSTRATED PARTS LIST
01.1 Page 1070J
Jul 01/03

| FIG. & ITEM | PART NO. | AIRLINE PART NUMBER | NOMENCLATURE 1234567 | EFF CODE | QTY PER ASSY |
|-------------|-------------|---------------------|---|---|--------------|
| 01-364 | BRFM20A3 | | ..NUTPLATE- (V52828) (SPEC BACN10JN3) (OPT MF1000-3BAC (V15653)) (OPT NS103218-02 (V80539)) (OPT RMF9201M3 (V72962)) (OPT VN252A02 (V92215)) (OPT MF1000-3BAC (V15653)) (OPT MF53049-3 (V15653)) | A-D, G-Q,T ,U,Y, AB,AD ,AE,A H AJ,A P-CT, EU-FD | 32 |
| 366 | BACR15BA3AD | | ..RIVET- (USED WITH ITEMS 348, 352, 356, 360) (SIZE DETERMINE ON INST) | A-D, G-Q,T ,U,Y, AB,AD ,AE,A H AJ,A P-CT, EU-FD | 4 |
| 368 | BRFM20A3 | | ..NUTPLATE- (V52828) (SPEC BACN10JN3) (OPT MF1000-3BAC (V15653)) (OPT NS103218-02 (V80539)) (OPT RMF9201M3 (V72962)) (OPT VN252A02 (V92215)) (OPT MF1000-3BAC (V15653)) (OPT MF53049-3 (V15653)) (USED WITH ITEMS 348, 352, 356, 360) | A-D, G-Q,T ,U,Y, AB,AD ,AE,A H AJ,A P-CT, EU-FD | 2 |

57-43-37

| FIG. & ITEM | PART NO. | AIRLINE PART NUMBER | NOMENCLATURE 1234567 | EFF CODE | QTY PER ASSY |
|-------------|-------------|---------------------|--|--|--------------|
| 01-370 | 114T3161-21 | | ..DOUBLER ASSY- (USED ON ITEMS 6W, 6X, 6Y) (USED WITH ITEMS 392, 392F) | A,M,A Q-AX, EU,EV | 1 |
| -372 | 114T3161-22 | | ..DOUBLER ASSY- (USED ON ITEMS 8, 8A, 8B) (USED WITH ITEMS 394, 394F) | B,N,B S-BZ, EZ,FA | 1 |
| 374 | BACB30MY6K | | ATTACHING PARTS ..BOLT- (SIZE DETERMINE ON INST) | A,B,M ,N,A Q-AX, BS-BZ ,EU,E V EZ,FA | 24 |
| 376 | HL79-6 | | ..COLLAR- (V56878) (SPEC BACC30M6) (OPT HL79-6 (V73197)) (OPT HL79-6 (V92215)) (OPT 66014-6 (V56878)) (OPT HL79-6 (V5M902)) (REPLD BY ITEM 378) | A,B,M ,N,A Q-AX, BS-BZ ,EU,E V EZ,FA | 8 |

57-43-37

ILLUSTRATED PARTS LIST
01.1 Page 1070L
Jul 01/03

| FIG. & ITEM | PART NO. | AIRLINE PART NUMBER | NOMENCLATURE 1234567 | EFF CODE | QTY PER ASSY |
|-------------|-------------|---------------------|---|--|--------------|
| 01-378 | HL82-6APBW | | ..COLLAR- (V73197) (SPEC BACC30AG6) (OPT HL82-6APBW (V92215)) (OPT HL82-6APBW (V56878)) (OPT HL82-6APBW (V5M902)) (REPLS ITEM 376) | A,B,M ,N,A Q-AX, BS-BZ ,EU,E V EZ,FA | 8 |
| 380 | HL79-6 | | ..COLLAR- (V56878) (SPEC BACC30M6) (OPT HL79-6 (V73197)) (OPT HL79-6 (V92215)) (OPT 66014-6 (V56878)) (OPT HL79-6 (V5M902)) -----* | A,B,M ,N,A Q-AX, BS-BZ ,EU,E V EZ,FA | 16 |
| 382 | BACR15BA3AD | | ...RIVET- (SIZE DETERMINE ON INST) | A,B,M ,N,A Q-AX, BS-BZ ,EU,E V EZ,FA | 44 |
| 384 | BACN10JQ32 | | ...NUTPLATE | A,B,M ,N,A Q-AX, BS-BZ ,EU,E V EZ,FA | 20 |

57-43-37

| FIG. & ITEM | PART NO. | AIRLINE PART NUMBER | NOMENCLATURE 1234567 | EFF CODE | QTY PER ASSY |
|-------------|-------------|---------------------|---|--|--------------|
| 01-386 | BRFM20A3 | | ...NUTPLATE- (V52828) (SPEC BACN10JN3) (OPT MF1000-3BAC (V15653)) (OPT NS103218-02 (V80539)) (OPT RMF9201M3 (V72962)) (OPT VN252A02 (V92215)) (OPT MF1000-3BAC (V15653)) (OPT MF53049-3 (V15653)) | A,B,M ,N,A Q-AX, BS-BZ ,EU,E V EZ,FA | 2 |
| 388 | 114T3161-15 | | ...DOUBLER | A,M,A Q-AX, EU,EV | 1 |
| -390 | 114T3161-16 | | ...DOUBLER | B,N,B S-BZ, EZ,FA | 1 |
| 392 | 114T3157-15 | | ..ARM ASSY-RIB AND AUX (USED ON ITEM 6) | A,M,A Q-AX, EU,EV | 1 |
| -392F | 114T3157-21 | | ..ARM ASSY-RIB AND AUX (USED ON ITEMS 6A, 6B) | A,M,A Q-AX, EU,EV | 1 |
| -394 | 114T3157-16 | | ..ARM ASSY-RIB AND AUX (USED ON ITEM 8) | B,N,B S-BZ, EZ,FA | 1 |
| -394F | 114T3157-22 | | ..ARM ASSY-RIB AND AUX (USED ON ITEMS 8A, 8B) | B,N,B S-BZ, EZ,FA | 1 |
| 398 | BACB30NU3K5 | | ATTACHING PARTS ..BOLT | A,B,M ,N,A Q-AX, BS-BZ ,EU,E V EZ,FA | 2 |

57-43-37

ILLUSTRATED PARTS LIST
01.1 Page 1070N
Jul 01/03

| FIG. & ITEM | PART NO. | AIRLINE PART NUMBER | NOMENCLATURE 1234567 | EFF CODE | QTY PER ASSY |
|-------------|------------|---------------------|---|--|--------------|
| 01-400 | HL82-6APBW | | ..COLLAR- (V73197) (SPEC BACC30AG6) (OPT HL82-6APBW (V92215)) (OPT HL82-6APBW (V56878)) (OPT HL82-6APBW (V5M902)) (OPT ITEM 404 USED WITH ITEM 402) | A,B,M ,N,A Q-AX, BS-BZ ,EU,E V EZ,FA | 2 |
| 402 | AS46-3 | | ..WASHER- (V10630) (SPEC BACW10AU3) (OPT K19701P3 (V15653)) (OPT 53488W1032 (V56878)) (OPT 6073-0 (V72962)) (OPT TLN1020L3W (V08524)) (USED WITH ITEM 404) | A,B,M ,N,A Q-AX, BS-BZ ,EU,E V EZ,FA | 2 |
| 404 | H19700P3 | | ..NUT- (V15653) (SPEC BACN10MT3) (OPT TLN1020-3N (V08524)) (OPT 52LH6073-02 (V72962)) (OPT 53488-1032 (V56878)) (OPT ITEM 400) (USED WITH ITEM 402) | A,B,M ,N,A Q-AX, BS-BZ ,EU,E V EZ,FA | 2 |
| 406 | BACB30NW6K | | ..BOLT- (SIZE DETERMINE ON INST) | A,B,M ,N,A Q-AX, BS-BZ ,EU,E V EZ,FA | 34 |
| 408 | HL79-6 | | DELETED | | |

57-43-37

| FIG. & ITEM | PART NO. | AIRLINE PART NUMBER | NOMENCLATURE 1234567 | EFF CODE | QTY PER ASSY |
|-------------|--------------|---------------------|---|--|--------------|
| 01-408A | HL82-6APBW | | ..COLLAR- (V73197) (SPEC BACC30AG6) (OPT HL82-6APBW (V92215)) (OPT HL82-6APBW (V56878)) (OPT HL82-6APBW (V5M902)) -----* | A,B,M ,N,A Q-AX, BS-BZ ,EU,E V EZ,FA | 34 |
| 410 | BACB30LE8-34 | | ...BOLT | A,B,M ,N,A Q-AX, BS-BZ ,EU,E V EZ,FA | 1 |
| 412 | BACW10BP8CD | | ...WASHER | A,B,M ,N,A Q-AX, BS-BZ ,EU,E V EZ,FA | 1 |
| 414 | BACW10P365LA | | ...WASHER | A,B,M ,N,A Q-AX, BS-BZ ,EU,E V EZ,FA | 2 |
| 416 | BACW10BP8DP | | ...WASHER | A,B,M ,N,A Q-AX, BS-BZ ,EU,E V EZ,FA | 1 |

57-43-37

ILLUSTRATED PARTS LIST
01.1 Page 1070P
Jul 01/03

| FIG. & ITEM | PART NO. | AIRLINE PART NUMBER | NOMENCLATURE 1234567 | EFF CODE | QTY PER ASSY |
|-------------|--------------|---------------------|--|--|--------------|
| 01-418 | BH003028 | | ...NUT- (V27238) (SPEC BACN10HR8) (OPT BMN10HR8 (V97928)) (OPT CR59068 (V62554)) (OPT H968 (V15653)) (OPT RMLH228 (V72962)) (OPT VAL280098 (V06710)) (OPT 678328 (V56878)) (OPT H96-8 (V15653)) (OPT RMLH22-8 (V72962)) (OPT 67832-820 (V56878)) (OPT BMN10HR8 (V97928)) (OPT BH00302-8 (V27238)) (OPT RMLH22-8 (V72962)) (OPT 67832-820 (V56878)) (OPT BMN10HR8 (V97928)) (OPT BH00302-8 (V27238)) | A,B,M ,N,A Q-AX, BS-BZ ,EU,E V EZ,FA | 1 |
| 420 | BACB28U8C051 | | ...BUSHING | A,B,M ,N,A Q-AX, BS-BZ ,EU,E V EZ,FA | 2 |

57-43-37

| FIG. & ITEM | PART NO. | AIRLINE PART NUMBER | NOMENCLATURE 1234567 | EFF CODE | QTY PER ASSY |
|-------------|--------------|---------------------|-------------------------|--|--------------|
| 01-422 | BACB28U8C090 | | ...BUSHING | A,B,M ,N,A Q-AX, BS-BZ ,EU,E V EZ,FA | 1 |
| 424 | BACB30LE7-29 | | ...BOLT | A,B,M ,N,A Q-AX, BS-BZ ,EU,E V EZ,FA | 1 |
| 426 | BACW10BP7CD | | ...WASHER | A,B,M ,N,A Q-AX, BS-BZ ,EU,E V EZ,FA | 1 |
| 428 | BACW10P364LA | | ...WASHER | A,B,M ,N,A Q-AX, BS-BZ ,EU,E V EZ,FA | 2 |
| 430 | BACW10BP7DP | | ...WASHER | A,B,M ,N,A Q-AX, BS-BZ ,EU,E V EZ,FA | 1 |

57-43-37

ILLUSTRATED PARTS LIST
01.1 Page 1070R
Jul 01/03

| FIG. & ITEM | PART NO. | AIRLINE PART NUMBER | NOMENCLATURE 1234567 | EFF CODE | QTY PER ASSY |
|-------------|--------------|---------------------|---|--|--------------|
| 01-432 | BH003027 | | ...NUT- (V27238) (SPEC BACN10HR7) (OPT BMNN10HR7 (V97928)) (OPT CR59067 (V62554)) (OPT H967 (V15653)) (OPT RMLH227 (V72962)) (OPT VAL280097 (V06710)) (OPT 678327 (V56878)) (OPT H96-7 (V15653)) (OPT RMLH22-7 (V72962)) (OPT 67832-720 (V56878)) (OPT BMNN10HR7 (V97928)) (OPT BH00302-7 (V27238)) | A,B,M ,N,A Q-AX, BS-BZ ,EU,E V EZ,FA | 1 |
| 434 | 114T3142-1 | | ...RIB ASSY- (USED ON ITEM 392) | A,M,A Q-AX, EU,EV | 1 |
| -434F | 114T3179-1 | | ...RIB ASSY- (USED ON ITEM 392F) | A,M,A Q-AX, EU,EV | 1 |
| -436 | 114T3142-2 | | ...RIB ASSY- (USED ON ITEM 394) | B,N,B S-BZ, EA,FA | 1 |
| -436F | 114T3179-2 | | ...RIB ASSY- (USED ON ITEM 394F) | B,N,B S-BZ, EA,FA | 1 |
| 438 | BACB28U7C090 | |BUSHING | A,B,M ,N,A Q-AX, BS-BZ ,EU,E V EZ,FA | 1 |

57-43-37

| FIG. & ITEM | PART NO. | AIRLINE PART NUMBER | NOMENCLATURE 1234567 | EFF CODE | QTY PER ASSY |
|-------------|-------------|---------------------|---|--|--------------|
| 01-440 | 114T3142-3 | |RIB- (USED ON ITEM 434) | A,M,A Q-AX, EU,EV | 1 |
| -440F | 114T3179-3 | |RIB- (USED ON ITEM 434F) | A,M,A Q-AX, EU,EV | 1 |
| -442 | 114T3142-4 | |RIB- (USED ON ITEM 436) | B,N,B S-BZ, EZ,FA | 1 |
| -442F | 114T3179-4 | |RIB- (USED ON ITEM 436F) | B,N,B S-BZ, EZ,FA | 1 |
| 444 | 114T3400-33 | | ...ARM ASSY | A,M,A Q-AX, EU,EV | 1 |
| -446 | 114T3400-34 | | ...ARM ASSY | B,N,B S-BZ, EZ,FA | 1 |
| 448 | 114T3400-35 | | ...ARM ASSY | A,M,A Q-AX, EU,EV | 1 |
| -450 | 114T3400-36 | | ...ARM ASSY | B,N,B S-BZ, EZ,FA | 1 |
| 452 | HL11VAZ5-5 | |BOLT- (V56878) (SPEC BACB30NW5K5) (OPT B30NW5K5 (V97928)) (OPT HL11VAZ5-5 (V73197)) (OPT HL11VAZ5-5 (V92215)) (OPT HL11VAZ5-5 (V97928)) (OPT L803-5K5 (V06725)) (OPT HL11VAZ5-5 (V0PTK6)) (OPT HL11VAZ5-5 (V60516)) | A,B,M ,N,A Q-AX, BS-BZ ,EU,E V EZ,FA | 1 |

57-43-37

 ILLUSTRATED PARTS LIST
 01.1 Page 1070T
 Jul 01/03

| FIG. & ITEM | PART NO. | AIRLINE PART NUMBER | NOMENCLATURE 1234567 | EFF CODE | QTY PER ASSY |
|-------------|----------------|---------------------|---|--|--------------|
| 01-454 | HL11VAZ5-4 | |BOLT- (V56878) (SPEC BACB30NW5K4) (OPT B30NW5K4 (V97928)) (OPT HL11VAZ5-4 (V73197)) (OPT HL11VAZ5-4 (V92215)) (OPT HL11VAZ5-4 (V97928)) (OPT L803-5K4 (V06725)) (OPT HL11VAZ5-4 (V0PTK6)) (OPT HL11VAZ5-4 (V60516)) | A,B,M ,N,A Q-AX, BS-BZ ,EU,E V EZ,FA | 1 |
| 456 | AN960PD8L | |WASHER | A,B,M ,N,A Q-AX, BS-BZ ,EU,E V EZ,FA | 2 |
| 458 | BACN10JC08CD | |NUT | A,B,M ,N,A Q-AX, BS-BZ ,EU,E V EZ,FA | 2 |
| 460 | 114T3008-1 | |PLATE-RUB | A,B,M ,N,A Q-AX, BS-BZ ,EU,E V EZ,FA | 1 |
| 462 | BACB28AP08P019 | |BUSHING | A,B,M ,N,A Q-AX, BS-BZ ,EU,E V EZ,FA | 1 |

57-43-37

| FIG. & ITEM | PART NO. | AIRLINE PART NUMBER | NOMENCLATURE 1234567 | EFF CODE | QTY PER ASSY |
|-------------|--------------|---------------------|-------------------------------------|--|--------------|
| 01-464 | BACB28U7C034 | |BUSHING | A,B,M N,A Q-AX, BS-BZ EU,E V EZ,FA | 1 |
| 466 | 114T3400-45 | |ARM- (USED ON ITEM 444) | A,M,A Q-AX, EU,EV | 1 |
| -468 | 114T3400-46 | |ARM- (USED ON ITEM 446) | B,N,B S-BZ, EZ,FA | 1 |
| 470 | 114T3400-47 | |ARM- (USED ON ITEM 448) | A,M,A Q-AX, EU,EV | 1 |
| -472 | 114T3400-48 | |ARM- (USED ON ITEM 450) | B,N,B S-BZ, EZ,FA | 1 |
| 474 | 114T3171-5 | | DELETED | | |
| 474A | 114T3171-9 | | ..RIB ASSY-AUX (USED ON ITEM 6C) | A,M,A Q-AX, EU,EV | 1 |
| -474B | 114T3171-11 | | ..RIB ASSY-AUX | C,A Y-BB, EW | 1 |
| -474C | 114T3171-23 | | ..RIB ASSY-AUX | K,P,T AD,B C-BP, EX,EY | 1 |
| -474D | 114T3171-19 | | ..RIB ASSY-AUX (OPT ITEM 474E) | G-J,A H,BQ, BR | 1 |
| -474E | 114T3171-27 | | ..RIB ASSY-AUX (OPT ITEM 474D) | G-J,A H,BQ, BR | 1 |

57-43-37

 ILLUSTRATED PARTS LIST
 01.1 Page 1070V
 Jul 01/03

| FIG. & ITEM | PART NO. | AIRLINE PART NUMBER | NOMENCLATURE 1234567 | EFF CODE | QTY PER ASSY |
|-------------|-------------|---------------------|-------------------------------------|---|--------------|
| 01- | | | | | |
| -476 | 114T3171-6 | | DELETED | | |
| -476A | 114T3171-10 | | ..RIB ASSY-AUX (USED ON ITEM 8C) | B,N,B S-BZ, EZ,FA | 1 |
| -476B | 114T3171-12 | | ..RIB ASSY-AUX | D,C A-CD, FB | 1 |
| -476C | 114T3171-24 | | ..RIB ASSY-AUX | L,Q,U ,AE,C E-CR, FC,FD | 1 |
| -476D | 114T3171-20 | | ..RIB ASSY-AUX (OPT ITEM 476E) | Y,AB, AJ,AP ,CS,C T | 1 |
| -476E | 114T3171-28 | | ..RIB ASSY-AUX (OPT ITEM 476D) | Y,AB, AJ,AP ,CS,C T | 1 |
| 478 | BACB30NU3K5 | | ATTACHING PARTS ..BOLT | A-D, G-Q,T ,U,Y, AB,AD ,AE,A H AJ,A P-CT, EU-FD | 2 |

57-43-37

| FIG. & ITEM | PART NO. | AIRLINE PART NUMBER | NOMENCLATURE 1234567 | EFF CODE | QTY PER ASSY |
|-------------|------------|---------------------|---|--|--------------|
| 01-480 | HL82-6APBW | | ..COLLAR- (V73197) (SPEC BACC30AG6) (OPT HL82-6APBW (V92215)) (OPT HL82-6APBW (V56878)) (OPT HL82-6APBW (V5M902)) (OPT ITEM 484 USED WITH ITEM 482) | A-D, K-Q,T ,U,AD ,AE,A Q-BP BS-CR ,EU- FD | 2 |
| 482 | AS46-3 | | ..WASHER- (V10630) (SPEC BACW10AU3) (OPT K19701P3 (V15653)) (OPT 53488W1032 (V56878)) (OPT 6073-0 (V72962)) (OPT TLN1020L3W (V08524)) (USED WITH ITEM 484) | A-D, K-Q,T ,U,AD ,AE,A Q-BP BS-CR ,EU- FD | 2 |
| -482A | AS46-3 | | ..WASHER- (V10630) (SPEC BACW10AU3) (OPT K19701P3 (V15653)) (OPT 53488W1032 (V56878)) (OPT 6073-0 (V72962)) (OPT TLN1020L3W (V08524)) | G-J,Y ,AB,A H,AJ, AP,BQ ,BR CS,CT | 2 |

57-43-37

ILLUSTRATED PARTS LIST
01.1 Page 1070X
Jul 01/03

| FIG. & ITEM | PART NO. | AIRLINE PART NUMBER | NOMENCLATURE 1234567 | EFF CODE | QTY PER ASSY |
|-------------|------------|---------------------|---|--|--------------|
| 01-484 | H19700P3 | | ..NUT- (V15653) (SPEC BACN10MT3) (OPT TLN1020-3N (V08524)) (OPT 52LH6073-02 (V72962)) (OPT 53488-1032 (V56878)) (OPT ITEM 480) (USED WITH ITEM 482) | A-D, K-Q,T ,U,AD ,AE,A Q-BP BS-CR ,EU- FD | 2 |
| -484A | H19700P3 | | ..NUT- (V15653) (SPEC BACN10MT3) (OPT TLN1020-3N (V08524)) (OPT 52LH6073-02 (V72962)) (OPT 53488-1032 (V56878)) | G-J,Y ,AB,A H,AJ, AP,BQ ,BR CS,CT | 2 |
| 486 | BACB30NW6K | | ..BOLT- (SIZE DETERMINE ON INST) | A-D, K-Q,T ,U,AD ,AE,A Q-BP BS-CR ,EU- FD | 34 |

57-43-37

| FIG. & ITEM | PART NO. | AIRLINE PART NUMBER | NOMENCLATURE 1234567 | EFF CODE | QTY PER ASSY |
|-------------|-------------|---------------------|--|--|--------------|
| 01-487 | HL445PB6-5X | | ..BOLT- (V97928) (SPEC BACB30ND6A5X) (OPT HL445PB6-5X (V80539)) (OPT 69310-6A5X (V56878)) (OPT HL445PB6-5X (V92215)) (OPT HL445PB6-5X (V73197)) (OPT HL445PB6-5X (V56878)) | G-J,Y ,AB,A H,AJ, AP,BQ ,BR CS,CT | 8 |
| 487D | HL445PB6-3X | | ..BOLT- (V97928) (SPEC BACB30ND6A3X) (OPT HL445PB6-3X (V80539)) (OPT 69310-6A3X (V56878)) (OPT HL445PB6-3X (V92215)) (OPT HL445PB6-3X (V73197)) (OPT HL445PB6-3X (V56878)) | G-J,Y ,AB,A H,AJ, AP,BQ ,BR CS,CT | 6 |
| 487H | HL445PB6-4X | | ..BOLT- (V97928) (SPEC BACB30ND6A4X) (OPT HL445PB6-4X (V80539)) (OPT 69310-6A4X (V56878)) (OPT HL445PB6-4X (V92215)) (OPT HL445PB6-4X (V73197)) (OPT HL445PB6-4X (V56878)) | G-J,Y ,AB,A H,AJ, AP,BQ ,BR CS,CT | 6 |

57-43-37

ILLUSTRATED PARTS LIST
01.1 Page 1070Z
Jul 01/03

| FIG. & ITEM | PART NO. | AIRLINE PART NUMBER | NOMENCLATURE 1234567 | EFF CODE | QTY PER ASSY |
|-------------|-------------|---------------------|--|--|--------------|
| 01-487M | HL445PB6-6X | | ..BOLT- (V97928) (SPEC BACB30ND6A6X) (OPT HL445PB6-6X (V80539)) (OPT 69310-6A6X (V56878)) (OPT HL445PB6-6X (V92215)) (OPT HL445PB6-6X (V73197)) (OPT HL445PB6-6X (V56878)) | G-J,Y ,AB,A H,AJ, AP,BQ ,BR CS,CT | 8 |
| 487R | HL445PB6-7X | | ..BOLT- (V97928) (SPEC BACB30ND6A7X) (OPT HL445PB6-7X (V80539)) (OPT 69310-6A7X (V56878)) (OPT HL445PB6-7X (V92215)) (OPT HL445PB6-7X (V73197)) (OPT HL445PB6-7X (V56878)) | G-J,Y ,AB,A H,AJ, AP,BQ ,BR CS,CT | 6 |
| 487V | HL445PB6-8X | | ..BOLT- (V97928) (SPEC BACB30ND6A8X) (OPT HL445PB6-8X (V80539)) (OPT 69310-6A8X (V56878)) (OPT HL445PB6-8X (V92215)) (OPT HL445PB6-8X (V73197)) (OPT HL445PB6-8X (V56878)) | G-J,Y ,AB,A H,AJ, AP,BQ ,BR CS,CT | 2 |

57-43-37

| FIG. & ITEM | PART NO. | AIRLINE PART NUMBER | NOMENCLATURE 1234567 | EFF CODE | QTY PER ASSY |
|-------------|----------------|---------------------|---|---|--------------|
| 01-488 | HL82-6APBW | | ..COLLAR- (V73197) (SPEC BACC30AG6) (OPT HL82-6APBW (V92215)) (OPT HL82-6APBW (V56878)) (OPT HL82-6APBW (V5M902)) | A-D, K-Q,T ,U,AD ,AE,A Q-BP BS-CR ,EU- FD | 34 |
| 489 | HL79-6 | | ..COLLAR- (V56878) (SPEC BACC30M6) (OPT HL79-6 (V73197)) (OPT HL79-6 (V92215)) (OPT 66014-6 (V56878)) (OPT HL79-6 (V5M902)) -----* | G-J,Y ,AB,A H,AJ, AP,BQ ,BR CS,CT | 36 |
| 490 | BACB28AP08P019 | | ...BUSHING | A-D, G-Q,T ,U,Y, AB,AD ,AE,A H AJ,A P-CT, EU-FD | 2 |

57-43-37

ILLUSTRATED PARTS LIST
01.1 Page 1072
Jul 01/03

| FIG. & ITEM | PART NO. | AIRLINE PART NUMBER | NOMENCLATURE 1234567 | EFF CODE | QTY PER ASSY |
|-------------|------------|---------------------|--|---|--------------|
| 01-492 | HL11VAZ5-5 | | ...BOLT- (V56878) (SPEC BACB30NW5K5) (OPT B30NW5K5 (V97928)) (OPT HL11VAZ5-5 (V73197)) (OPT HL11VAZ5-5 (V92215)) (OPT HL11VAZ5-5 (V97928)) (OPT L803-5K5 (V06725)) (OPT HL11VAZ5-5 (V0PTK6)) (OPT HL11VAZ5-5 (V60516)) | A-D, G-Q,T ,U,Y, AB,AD ,AE,A H AJ,A P-CT, EU-FD | 3 |
| 494 | HL11VAZ5-4 | | ...BOLT- (V56878) (SPEC BACB30NW5K4) (OPT B30NW5K4 (V97928)) (OPT HL11VAZ5-4 (V73197)) (OPT HL11VAZ5-4 (V92215)) (OPT HL11VAZ5-4 (V97928)) (OPT L803-5K4 (V06725)) (OPT HL11VAZ5-4 (V0PTK6)) (OPT HL11VAZ5-4 (V60516)) | A-D, G-Q,T ,U,Y, AB,AD ,AE,A H AJ,A P-CT, EU-FD | 1 |

57-43-37

| FIG. & ITEM | PART NO. | AIRLINE PART NUMBER | NOMENCLATURE 1234567 | EFF CODE | QTY PER ASSY |
|-------------|--------------------------|---------------------|---------------------------------------|---|--------------|
| 01-496 | AN960PD8L | | ...WASHER | A-D, G-Q,T ,U,Y, AB,AD ,AE,A H AJ,A P-CT, EU-FD | 4 |
| 498 | BACN10JC08CD | | ...NUT | A-D, G-Q,T ,U,Y, AB,AD ,AE,A H AJ,A P-CT, EU-FD | 4 |
| 500 500A | 114T3008-1 114T3008-2 | | DELETED ...PLATE-RUB | A-D, G-Q,T ,U,Y, AB,AD ,AE,A H AJ,A P-CT, EU-FD | 2 |
| 502 | BACR15BA3AD | | ...RIVET- (SIZE DETERMINE ON INST) | A-D, K-Q,T ,U,AD ,AE,A Q-BP BS-CR ,EU- FD | 44 |

57-43-37

 ILLUSTRATED PARTS LIST
 01.1 Page 1072B
 Jul 01/03

| FIG. & ITEM | PART NO. | AIRLINE PART NUMBER | NOMENCLATURE 1234567 | EFF CODE | QTY PER ASSY |
|-------------|--------------|---------------------|--|--|--------------|
| 01-504 | BACN10JQ32 | | ...NUTPLATE | A-D, K-Q,T ,U,AD ,AE,A Q-BP BS-CR ,EU- FD | 7 |
| 506 | NS103225-02 | | ...NUTPLATE- (V80539) (SPEC BACN10KH3) (OPT RMF9209M3 (V72962)) (OPT RMF9209M3 (V72962)) | A-D, K-Q,T ,U,AD ,AE,A Q-BP BS-CR ,EU- FD | 15 |
| 508 | NAS1195DD3KH | | ...SHIM | A-D, K-Q,T ,U,AD ,AE,A Q-BP BS-CR ,EU- FD | 7 |
| 510 | 114T3171-7 | | ...RIB | A,M,A Q-AX, EU,EV | 1 |
| -510A | 114T3171-13 | | ...RIB | C,A Y-BB, EW | 1 |
| -510B | 114T3171-25 | | ...RIB | K,P,T ,AD,B C-BP, EX,EY | 1 |
| -510C | 114T3171-21 | | ...RIB- (USED ON ITEM 474D) | G-J,A H,BQ, BR | 1 |
| -510D | 114T3171-29 | | ...RIB- (USED ON ITEM 474E) | G-J,A H,BQ, BR | 1 |

57-43-37

| FIG. & ITEM | PART NO. | AIRLINE PART NUMBER | NOMENCLATURE 1234567 | EFF CODE | QTY PER ASSY |
|-------------|-------------|---------------------|--------------------------------|---|--------------|
| 01-512 | 114T3171-8 | | ...RIB | B,N,B S-BZ, EZ,FA | 1 |
| -512A | 114T3171-14 | | ...RIB | D,C A-CD, FB | 1 |
| -512B | 114T3171-26 | | ...RIB | L,Q,U ,AE,C E-CR, FC,FD | 1 |
| -512C | 114T3171-22 | | ...RIB- (USED ON ITEM 476D) | Y,AB, AJ,AP ,CS,C T | 1 |
| -512D | 114T3171-30 | | ...RIB- (USED ON ITEM 476E) | Y,AB, AJ,AP ,CS,C T | 1 |
| 514 | BACB30NT3K3 | | ..BOLT | A-D, G-Q,T ,U,Y, AB,AD ,AE,A H AJ,A P-CT, EU-FD | 112 |
| 516 | AN960PD10L | | ..WASHER | A-D, G-Q,T ,U,Y, AB,AD ,AE,A H AJ,A P-CT, EU-FD | 112 |
| 518 | BACB30NN3K6 | | ..BOLT | A-D, G-Q,T ,U,Y, AB,AD ,AE,A H AJ,A P-CT, EU-FD | 22 |

57-43-37

 ILLUSTRATED PARTS LIST
 01.1 Page 1072D
 Jul 01/03

| FIG. & ITEM | PART NO. | AIRLINE PART NUMBER | NOMENCLATURE 1234567 | EFF CODE | QTY PER ASSY |
|-------------|---------------------------|---------------------|--|---|--------------|
| 01-520 | 114T3101-1 | | ..WASHER | A-D, G-Q,T ,U,Y, AB,AD ,AE,A H AJ,A P-CT, EU-FD | 5 |
| 522 523 | 114T3101-2 BACR15BA3AD | | DELETED ..RIVET- (SIZE DETERMINE ON INST) | A-D, G-Q,T ,U,Y, AB,AD ,AE,A H AJ,A P-CT, EU-FD | 90 |
| 523G | BRFM20A3 | | ..NUTPLATE- (V52828) (SPEC BACN10JN3) (OPT MF1000-3BAC (V15653)) (OPT NS103218-02 (V80539)) (OPT RMF9201M3 (V72962)) (OPT VN252A02 (V92215)) (OPT MF1000-3BAC (V15653)) (OPT MF53049-3 (V15653)) | A-D, G-Q,T ,U,Y, AB,AD ,AE,A H AJ,A P-CT, EU-FD | 45 |
| 524 | BACB30NT3K3 | | ..BOLT- (USED WITH ITEMS 546, 550, 554, 558) | A-D, M-Q,A Q-BD, BS-CF ,EU-E W EZ,FB | 28 |

57-43-37

| FIG. & ITEM | PART NO. | AIRLINE PART NUMBER | NOMENCLATURE 1234567 | EFF CODE | QTY PER ASSY |
|-------------|-------------|---------------------|--|--|--------------|
| 01-526 | AN960PD10L | | ..WASHER- (USED WITH ITEMS 546, 550, 554, 558) | A-D, M-Q,A Q-BD, BS-CF ,EU-E W EZ-FB | 28 |
| 528 | BACB30NN3K6 | | ..BOLT- (USED WITH ITEMS 546, 550, 554, 558) | A-D, M-Q,A Q-BD, BS-CF ,EU-E W EZ-FB | 2 |
| 530 | 114T3101-1 | | ..WASHER- (USED WITH ITEMS 546, 550, 554, 558) | A-D, M-Q,A Q-BD, BS-CF ,EU-E W EZ-FB | 2 |
| 532 | BACB30NN3K6 | | ..BOLT- (USED WITH ITEMS 548 552, 556, 560) | A-D, K-Q,T ,U,AD ,AE,A Q-BP BS-CR ,EU- FD | 19 |

57-43-37

 ILLUSTRATED PARTS LIST
 01.1 Page 1072F
 Jul 01/03

| FIG. & ITEM | PART NO. | AIRLINE PART NUMBER | NOMENCLATURE 1234567 | EFF CODE | QTY PER ASSY |
|-------------|-------------|---------------------|--|--|--------------|
| 01-533 | BACB30NN3K6 | | ..BOLT | G-J,Y ,AB,A H,AJ, AP,BQ ,BR CS,CT | 21 |
| 534 | 114T3101-1 | | ..WASHER- (USED WITH ITEMS 548, 552, 556, 560) | A-D, K-Q,T ,U,AD ,AE,A Q-BP BS-CR ,EU- FD | 7 |
| -534A | 114T3101-1 | | ..WASHER | G-J,Y ,AB,A H,AJ, AP,BQ ,BR CS,CT | 7 |
| 536 | 114T3101-2 | | ..WASHER- (USED WITH ITEMS 548, 552, 556, 560) | A-D, K-Q,T ,U,AD ,AE,A Q-BP BS-CR ,EU- FD | 12 |
| -536A | 114T3101-2 | | ..WASHER | G-J,Y ,AB,A H,AJ, AP,BQ ,BR CS,CT | 12 |

57-43-37

| FIG. & ITEM | PART NO. | AIRLINE PART NUMBER | NOMENCLATURE 1234567 | EFF CODE | QTY PER ASSY |
|-------------|-------------|---------------------|--|--|--------------|
| 01-538 | BACB30NT3K3 | | ..BOLT- (USED WITH ITEMS 548, 552, 556, 560) | A-D, K-Q,T ,U,AD ,AE,A Q-BP BS-CR ,EU- FD | 3 |
| -538A | BACB30NT3K3 | | ..BOLT | G-J,Y ,AB,A H,AJ, AP,BQ ,BR CS,CT ,EU- FD | 3 |
| 540 | AN960PD10L | | ..WASHER- (USED WITH ITEMS 548, 552, 556, 560) | A-D, K-Q,T ,U,AD ,AE,A Q-BP BS-CR ,EU- FD | 3 |
| -540A | AN960PD10L | | ..WASHER | G-J,Y ,AB,A H,AJ, AP,BQ ,BR CS,CT | 3 |

57-43-37

ILLUSTRATED PARTS LIST
 01.1 Page 1072H
 Jul 01/03

015T0165
 015T1507
 114T3100
 DASH NUMBERS LIMITED

 **BOEING**
 COMPONENT
 MAINTENANCE MANUAL

| FIG. & ITEM | PART NO. | AIRLINE PART NUMBER | NOMENCLATURE 1234567 | EFF CODE | QTY PER ASSY |
|-------------|-------------|---------------------|---|--|--------------|
| 01-542 | BACB30NT3K8 | | ..BOLT- (USED WITH ITEMS 548, 552, 556, 560) | A-D, K-Q,T ,U,AD ,AE,A Q-BP BS-CR ,EU- FD | 5 |
| -542A | BACB30NT3K8 | | ..BOLT | G-J,Y ,AB,A H,AJ, AP,BQ ,BR CS,CT | 5 |
| 544 | 114T3168-5 | | ..FILLER-RADII (USED WITH ITEMS 548, 552, 556, 560) | A-D, K-Q,T ,U,AD ,AE,A Q-BP BS-CR ,EU- FD | 5 |
| -544A | 114T3168-5 | | ..FILLER-RADII | G-J,Y ,AB,A H,AJ, AP,BQ ,BR CS,CT | 5 |

57-43-37

ILLUSTRATED PARTS LIST
 01.1 Page 1072I
 Jul 01/03

| FIG. & ITEM | PART NO. | AIRLINE PART NUMBER | NOMENCLATURE 1234567 | EFF CODE | QTY PER ASSY |
|-------------|-------------|---------------------|---|--|--------------|
| 01-545 | BACR15BA3AD | | ..RIVET- (SIZE DETERMINE ON INST) (USED WITH ITEMS 548, 552, 556, 560) | A-D, K-Q,T ,U,AD ,AE,A Q-BP BS-CR ,EU- FD | 6 |
| 545G | BRFM20A3 | | ..NUTPLATE- (V52828) (SPEC BACN10JN3) (OPT MF1000-3BAC (V15653)) (OPT NS103218-02 (V80539)) (OPT RMF9201M3 (V72962)) (OPT VN252A02 (V92215)) (OPT MF1000-3BAC (V15653)) (OPT MF53049-3 (V15653)) (USED WITH ITEMS 548, 552, 556, 560) | A-D, K-Q,T ,U,AD ,AE,A Q-BP BS-CR ,EU- FD | 6 |
| 545M | BACR15BA3AD | | ..RIVET- (SIZE DETERMINE ON INST) | G-J,Y ,AB,A H,AJ, AP,BQ ,BR CS,CT | 62 |
| 545R | NS103225-02 | | ..NUTPLATE- (V80539) (SPEC BACN10KH3) (OPT RMF9209M3 (V72962)) (OPT F29779-3 (V15653)) | G-J,Y ,AB,A H,AJ, AP,BQ ,BR CS,CT | 31 |

57-43-37

 ILLUSTRATED PARTS LIST
 01.1 Page 1072J
 Jul 01/03

| FIG. & ITEM | PART NO. | AIRLINE PART NUMBER | NOMENCLATURE 1234567 | EFF CODE | QTY PER ASSY |
|-------------|-------------|---------------------|--|---|--------------|
| 01-546 | 114T3161-5 | | ..SKIN-COVE (USED ON ITEMS 6, 6A, 6B) | A,M,A Q-AX, EU,EV | 1 |
| 548 | 114T3161-31 | | ..SKIN-COVE (USED ON ITEM 6C) | A,C,K ,M,P, T,AD, AQ-BP EU-EY | 1 |
| -548A | 114T3161-31 | | ..SKIN-COVE | G-J,A H,BQ, BR | 1 |
| -550 | 114T3161-6 | | ..SKIN-COVE (USED ON ITEMS 8, 8A, 8B) | B,N,B S-BZ, EZ,FA | 1 |
| -552 | 114T3161-32 | | ..SKIN-COVE (USED ON ITEM 8C) | B,D,L ,N,Q, U,AE, BS-CR EZ-FD | 1 |
| -552A | 114T3161-32 | | ..SKIN-COVE | Y,AB, AJ,AP ,CS,C T | 1 |
| 554 | 114T3161-3 | | ..SKIN-COVE (USED ON ITEMS 6, 6A, 6B) | A,M,A Q-AX, EU,EV | 1 |
| 556 | 114T3161-29 | | ..SKIN-COVE (USED ON ITEM 6C) | A,C,M ,P,T, AD,A Q-BP EU-EY | 1 |

57-43-37

| FIG. & ITEM | PART NO. | AIRLINE PART NUMBER | NOMENCLATURE 1234567 | EFF CODE | QTY PER ASSY |
|--------------|-------------|---------------------|---|--|--------------|
| 01- -556A | 114T3161-29 | | ..SKIN-COVE | G-J,A H,BQ, BR | 1 |
| -558 | 114T3161-4 | | ..SKIN-COVE (USED ON ITEMS 8, 8A, 8B) | B,N,B S-BZ, EZ,FA | 1 |
| -560 | 114T3161-30 | | ..SKIN-COVE (USED ON ITEM 8C) | B,D,N ,Q,U, AE,B S-CR, EZ-FD | 1 |
| -560A | 114T3161-30 | | ..SKIN-COVE | Y,AB, AJ,AP ,CS,C T | 1 |
| 562 | 114T3161-19 | | ..DOUBLER ASSY- (USED ON ITEMS 6, 6A, 6B) (USED WITH ITEMS 584, 584F) | A,M,A Q-AX, EU,EV | 1 |
| -564 | 114T3161-20 | | ..DOUBLER ASSY- (USED ON ITEMS 8, 8A, 8B) (USED WITH ITEMS 586, 586F) | B,N,B S-BZ, EZ,FA | 1 |
| 566 | BACB30MY6K | | ATTACHING PARTS ..BOLT- (SIZE DETERMINE ON INST) | A,B,M ,N,A Q-AX, BS-BZ ,EU,E V EZ,FA | 30 |

57-43-37

 ILLUSTRATED PARTS LIST
 01.1 Page 1072L
 Jul 01/03

| FIG. & ITEM | PART NO. | AIRLINE PART NUMBER | NOMENCLATURE 1234567 | EFF CODE | QTY PER ASSY |
|-------------|-------------|---------------------|--|--|--------------|
| 01-568 | HL79-6 | | ..COLLAR- (V56878) (SPEC BACC30M6) (OPT HL79-6 (V73197)) (OPT HL79-6 (V92215)) (OPT 66014-6 (V56878)) (OPT HL79-6 (V5M902)) (REPLD BY ITEM 570) | A,B,M ,N,A Q-AX, BS-BZ ,EU,E V EZ,FA | 14 |
| 570 | HL82-6APBW | | ..COLLAR- (V73197) (SPEC BACC30AG6) (OPT HL82-6APBW (V92215)) (OPT HL82-6APBW (V56878)) (OPT HL82-6APBW (V5M902)) (REPLS ITEM 568) | A,B,M ,N,A Q-AX, BS-BZ ,EU,E V EZ,FA | 14 |
| 572 | HL79-6 | | ..COLLAR- (V56878) (SPEC BACC30M6) (OPT HL79-6 (V73197)) (OPT HL79-6 (V92215)) (OPT 66014-6 (V56878)) (OPT HL79-6 (V5M902)) -----* | A,B,M ,N,A Q-AX, BS-BZ ,EU,E V EZ,FA | 18 |
| 574 | BACR15BA3AD | | ...RIVET- (SIZE DETERMINE ON INST) | A,B,M ,N,A Q-AX, BS-BZ ,EU,E V EZ,FA | 62 |

57-43-37

| FIG. & ITEM | PART NO. | AIRLINE PART NUMBER | NOMENCLATURE 1234567 | EFF CODE | QTY PER ASSY |
|-------------|-------------|---------------------|---|--|--------------|
| 01-576 | BACN10JQ32 | | ...NUTPLATE | A,B,M N,A Q-AX, BS-BZ EU,E V EZ,FA | 28 |
| 578 | BRFM20A3 | | ...NUTPLATE- (V52828) (SPEC BACN10JN3) (OPT MF1000-3BAC (V15653)) (OPT NS103218-02 (V80539)) (OPT RMF9201M3 (V72962)) (OPT VN252A02 (V92215)) (OPT MF1000-3BAC (V15653)) (OPT MF53049-3 (V15653)) | A,B,M N,A Q-AX, BS-BZ EU,E V EZ,FA | 3 |
| 580 | 114T3161-13 | | ...DOUBLER | A,M,A Q-AX, EU,EV | 1 |
| -582 | 114T3161-14 | | ...DOUBLER | B,N,B S-BZ, EZ,FA | 1 |
| 584 | 114T3157-13 | | ..ARM ASSY-RIB AND AUX (USED ON ITEM 6) | A,M,A Q-AX, EU,EV | 1 |
| -584F | 114T3157-19 | | ..ARM ASSY-RIB AND AUX (USED ON ITEMS 6, 6A) | A,M,A Q-AX, EU,EV | 1 |
| -586 | 114T3157-14 | | ..ARM ASSY-RIB AND AUX (USED ON ITEM 8) | B,N,B S-BZ, EZ,FA | 1 |
| -586F | 114T3157-20 | | ..ARM ASSY-RIB AND AUX (USED ON ITEMS 8A, 8B) | B,N,B S-BZ, EZ,FA | 1 |
| | | | ATTACHING PARTS | | |

57-43-37

 ILLUSTRATED PARTS LIST
 01.1 Page 1072N
 Jul 01/03

| FIG. & ITEM | PART NO. | AIRLINE PART NUMBER | NOMENCLATURE 1234567 | EFF CODE | QTY PER ASSY |
|-------------|-------------|---------------------|---|--|--------------|
| 01-588 | BACB30NU3K4 | | ..BOLT | A,B,M ,N,A Q-AX, BS-BZ ,EU,E V EZ,FA | 2 |
| 590 | HL82-6APBW | | ..COLLAR- (V73197) (SPEC BACC30AG6) (OPT HL82-6APBW (V92215)) (OPT HL82-6APBW (V56878)) (OPT HL82-6APBW (V5M902)) (OPT ITEM 594 USED WITH ITEM 592) | A,B,M ,N,A Q-AX, BS-BZ ,EU,E V EZ,FA | 2 |
| 592 | AS46-3 | | ..WASHER- (V10630) (SPEC BACW10AU3) (OPT K19701P3 (V15653)) (OPT 53488W1032 (V56878)) (OPT 6073-0 (V72962)) (OPT TLN1020L3W (V08524)) (USED WITH ITEM 594) | A,B,M ,N,A Q-AX, BS-BZ ,EU,E V EZ,FA | 2 |

57-43-37

| FIG. & ITEM | PART NO. | AIRLINE PART NUMBER | NOMENCLATURE 1234567 | EFF CODE | QTY PER ASSY |
|-------------|------------|---------------------|---|--|--------------|
| 01-594 | H19700P3 | | ..NUT- (V15653) (SPEC BACN10MT3) (OPT TLN1020-3N (V08524)) (OPT 52LH6073-02 (V72962)) (OPT 53488-1032 (V56878)) (OPT ITEM 590) (USED WITH ITEM 592) | A,B,M ,N,A Q-AX, BS-BZ ,EU,E V EZ,FA | 2 |
| 596 | BACB30NW6K | | ..BOLT- (SIZE DETERMINE ON INST) | A,B,M ,N,A Q-AX, BS-BZ ,EU,E V EZ,FA | 2 |
| 598 | HL79-6 | | ..COLLAR- (V56878) (SPEC BACC30M6) (OPT HL79-6 (V73197)) (OPT HL79-6 (V92215)) (OPT 66014-6 (V56878)) (OPT HL79-6 (V5M902)) | A,B,M ,N,A Q-AX, BS-BZ ,EU,E V EZ,FA | 2 |

57-43-37

 ILLUSTRATED PARTS LIST
 01.1 Page 1072P
 Jul 01/03

| FIG. & ITEM | PART NO. | AIRLINE PART NUMBER | NOMENCLATURE 1234567 | EFF CODE | QTY PER ASSY |
|-------------|-------------|---------------------|---|--|--------------|
| 01-600 | BACR15CE6KE | | ..RIVET- (SIZE DETERMINE ON INST) | A,B,M ,N,A Q-AX, BS-BZ ,EU,E V EZ,FA | 2 |
| 602 | BACR15CE5KE | | ..RIVET- (SIZE DETERMINE ON INST) | A,B,M ,N,A Q-AX, BS-BZ ,EU,E V EZ,FA | 14 |
| 604 | BACB30NW6K | | ..BOLT- (REPLD BY ITEM 608) (SIZE DETERMINE ON INST) | A,B,M ,N,A Q-AX, BS-BZ ,EU,E V EZ,FA | 10 |
| 606 | HL70-5 | | ..COLLAR- (V56878) (SPEC BACC30M5) (OPT HL70-5 (V73197)) (OPT HL70-5 (V92215)) (OPT 66014-5 (V56878)) (OPT HL79-5 (V5M902)) (USED WITH ITEM 604) | A,B,M ,N,A Q-AX, BS-BZ ,EU,E V EZ,FA | 10 |
| 608 | BACR15CE6KE | | ..RIVET- (REPLS ITEM 604) (SIZE DETERMINE ON INST) | A,B,M ,N,A Q-AX, BS-BZ ,EU,E V EZ,FA | 10 |

57-43-37

| FIG. & ITEM | PART NO. | AIRLINE PART NUMBER | NOMENCLATURE 1234567 | EFF CODE | QTY PER ASSY |
|-------------|--------------|---------------------|---|--|--------------|
| 01-610 | BACR15CE5KE | | ..RIVET- (REPLD BY ITEM 612) (SIZE DETERMINE ON INST) | A,B,M ,N,A Q-AX, BS-BZ ,EU,E V EZ,FA | 12 |
| -612 | BACR15CE6KE | | ..RIVET- (REPLS ITEM 610) (SIZE DETERMINE ON INST) -----*----- | A,B,M ,N,A Q-AX, BS-BZ ,EU,E V EZ,FA | 12 |
| 614 | BACB30LE8-30 | | ...BOLT | A,B,M ,N,A Q-AX, BS-BZ ,EU,E V EZ,FA | 1 |
| 616 | BACW10BP8CD | | ...WASHER | A,B,M ,N,A Q-AX, BS-BZ ,EU,E V EZ,FA | 1 |
| 618 | BACW10P365LA | | ...WASHER | A,B,M ,N,A Q-AX, BS-BZ ,EU,E V EZ,FA | 2 |
| 620 | BACW10BP8DP | | ...WASHER | A,B,M ,N,A Q-AX, BS-BZ ,EU,E V EZ,FA | 1 |

57-43-37

 ILLUSTRATED PARTS LIST
 01.1 Page 1072R
 Jul 01/03

| FIG. & ITEM | PART NO. | AIRLINE PART NUMBER | NOMENCLATURE 1234567 | EFF CODE | QTY PER ASSY |
|-------------|--------------|---------------------|---|--|--------------|
| 01-622 | BH003028 | | ...NUT- (V27238) (SPEC BACN10HR8) (OPT BMN10HR8 (V97928)) (OPT CR59068 (V62554)) (OPT H968 (V15653)) (OPT RMLH228 (V72962)) (OPT VAL280098 (V06710)) (OPT 678328 (V56878)) (OPT H96-8 (V15653)) (OPT RMLH22-8 (V72962)) (OPT 67832-820 (V56878)) (OPT BMN10HR8 (V97928)) (OPT BH00302-8 (V27238)) (OPT RMLH22-8 (V72962)) (OPT 67832-820 (V56878)) (OPT BMN10HR8 (V97928)) (OPT BH00302-8 (V27238)) | A,B,M ,N,A Q-AX, BS-BZ ,EU,E V EZ,FA | 1 |
| 624 | BACB28U8C047 | | ...BUSHING | A,B,M ,N,A Q-AX, BS-BZ ,EU,E V EZ,FA | 2 |

57-43-37

| FIG. & ITEM | PART NO. | AIRLINE PART NUMBER | NOMENCLATURE 1234567 | EFF CODE | QTY PER ASSY |
|-------------|--------------|---------------------|-------------------------|--|--------------|
| 01-626 | BACB28U8C076 | | ...BUSHING | A,B,M ,N,A Q-AX, BS-BZ ,EU,E V EZ,FA | 1 |
| 628 | BACB30LE7-27 | | ...BOLT | A,B,M ,N,A Q-AX, BS-BZ ,EU,E V EZ,FA | 1 |
| 630 | BACW10BP7CD | | ...WASHER | A,B,M ,N,A Q-AX, BS-BZ ,EU,E V EZ,FA | 1 |
| 632 | BACW10P364LA | | ...WASHER | A,B,M ,N,A Q-AX, BS-BZ ,EU,E V EZ,FA | 2 |
| 634 | BACW10BP7DP | | ...WASHER | A,B,M ,N,A Q-AX, BS-BZ ,EU,E V EZ,FA | 1 |

57-43-37

 ILLUSTRATED PARTS LIST
 01.1 Page 1072T
 Jul 01/03

| FIG. & ITEM | PART NO. | AIRLINE PART NUMBER | NOMENCLATURE 1234567 | EFF CODE | QTY PER ASSY |
|-------------|---------------|---------------------|---|--|--------------|
| 01-636 | BH003027 | | ...NUT- (V27238) (SPEC BACN10HR7) (OPT BMNN10HR7 (V97928)) (OPT CR59067 (V62554)) (OPT H967 (V15653)) (OPT RMLH227 (V72962)) (OPT VAL280097 (V06710)) (OPT 678327 (V56878)) (OPT H96-7 (V15653)) (OPT RMLH22-7 (V72962)) (OPT 67832-720 (V56878)) (OPT BMNN10HR7 (V97928)) (OPT BH00302-7 (V27238)) | A,B,M ,N,A Q-AX, BS-BZ ,EU,E V EZ,FA | 1 |
| 638 | 114T3135-1 | | ...RIB ASSY- (USED ON ITEM 584) | A,M,A Q-AX, EU,EV | 1 |
| -638F | 114T3178-1 | | ...RIB ASSY- (USED ON ITEM 584F) | A,M,A Q-AX, EU,EV | 1 |
| -640 | 114T3135-2 | | ...RIB ASSY- (USED ON ITEM 586) | B,N,B S-BZ, EZ,FA | 1 |
| -640F | 114T3178-2 | | ...RIB ASSY- (USED ON ITEM 586F) | B,N,B S-BZ, EZ,FA | 1 |
| 642 | BACB28AU7C076 | | DELETED | | |
| 642A | BACB28U7C076 | |BUSHING | A,B,M ,N,A Q-AX, BS-BZ ,EU,E V EZ,FA | 1 |

57-43-37

| FIG. & ITEM | PART NO. | AIRLINE PART NUMBER | NOMENCLATURE 1234567 | EFF CODE | QTY PER ASSY |
|-------------|-------------|---------------------|---|---|--------------|
| 01-644 | 114T3135-1 | | DELETED | | |
| 644A | 114T3135-3 | |RIB- (USED ON ITEM 638) | A,M,A Q-AX, EU,EV | 1 |
| -644F | 114T3178-1 | | DELETED | | |
| -644G | 114T3178-3 | |RIB- (USED ON ITEM 638F) | A,M,A Q-AX, EU,EV | 1 |
| -646 | 114T3135-2 | | DELETED | | |
| -646A | 114T3135-4 | |RIB ASSY- (USED ON ITEM 640) | B,N,B S-BZ, EZ,FA | 1 |
| -646F | 114T3178-2 | | DELETED | | |
| -646G | 114T3178-4 | |RIB ASSY- (USED ON ITEM 640F) | B,N,B S-BZ, EZ,FA | 1 |
| 648 | 114T3400-29 | | ...ARM ASSY | A,M,A Q-AX, EU,EV | 1 |
| -650 | 114T3400-30 | | ...ARM ASSY | B,N,B S-BZ, EZ,FA | 1 |
| 652 | 114T3400-31 | | ...ARM ASSY | A,M,A Q-AX, EU,EV | 1 |
| -654 | 114T3400-32 | | ...ARM ASSY | B,N,B S-BZ, EZ,FA | 1 |
| 656 | HL11VAZ5-5 | |BOLT- (V56878) (SPEC BACB30NW5K5) (OPT B30NW5K5 (V97928)) (OPT HL11VAZ5-5 (V73197)) (OPT HL11VAZ5-5 (V92215)) (OPT HL11VAZ5-5 (V97928)) (OPT L803-5K5 (V06725)) (OPT HL11VAZ5-5 (V0PTK6)) (OPT HL11VAZ5-5 (V60516)) | A,B,M ,N,A Q-AX, BS-BZ ,EU,E V | 1 |

57-43-37

 ILLUSTRATED PARTS LIST
 01.1 Page 1072V
 Jul 01/03

| FIG. & ITEM | PART NO. | AIRLINE PART NUMBER | NOMENCLATURE 1234567 | EFF CODE | QTY PER ASSY |
|-------------|----------------|---------------------|---|--|--------------|
| 01-658 | HL11VAZ5-4 | |BOLT- (V56878) (SPEC BACB30NW5K4) (OPT B30NW5K4 (V97928)) (OPT HL11VAZ5-4 (V73197)) (OPT HL11VAZ5-4 (V92215)) (OPT HL11VAZ5-4 (V97928)) (OPT L803-5K4 (V06725)) (OPT HL11VAZ5-4 (V0PTK6)) (OPT HL11VAZ5-4 (V60516)) | A,B,M ,N,A Q-AX, BS-BZ ,EU,E V EZ,FA | 1 |
| 660 | AN960PD8L | |WASHER | A,B,M ,N,A Q-AX, BS-BZ ,EU,E V EZ,FA | 2 |
| 662 | BACN10JC08CD | |NUT | A,B,M ,N,A Q-AX, BS-BZ ,EU,E V EZ,FA | 2 |
| 664 | 114T3008-1 | |PLATE-RUB | A,B,M ,N,A Q-AX, BS-BZ ,EU,E V EZ,FA | 1 |
| 666 | BACB28AP08P019 | |BUSHING | A,B,M ,N,A Q-AX, BS-BZ ,EU,E V EZ,FA | 1 |

57-43-37

| FIG. & ITEM | PART NO. | AIRLINE PART NUMBER | NOMENCLATURE 1234567 | EFF CODE | QTY PER ASSY |
|-------------|---------------|---------------------|-------------------------------------|--|--------------|
| 01-668 | BACB28AU7C038 | | DELETED | | |
| 668A | BACB28U7C038 | |BUSHING | A,B,M ,N,A Q-AX, BS-BZ ,EU,E V EZ,FA | 1 |
| 670 | 114T3400-41 | |ARM- (USED ON ITEM 648) | A,M,A Q-AX, EU,EV | 1 |
| -672 | 114T3400-42 | |ARM- (USED ON ITEM 650) | B,N,B S-BZ, EZ,FA | 1 |
| 674 | 114T3400-43 | |ARM- (USED ON ITEM 652) | A,M,A Q-AX, EU,EV | 1 |
| -676 | 114T3400-44 | |ARM- (USED ON ITEM 654) | B,N,B S-BZ, EZ,FA | 1 |
| 678 | 114T3170-9 | | DELETED | | |
| 678A | 114T3170-11 | | ..RIB ASSY-AUX (USED ON ITEM 6C) | A,M,A Q-AX, EU,EV | 1 |
| -678B | 114T3170-13 | | ..RIB ASSY-AUX | C,A Y-BB, EW | 1 |
| -678C | 114T3170-25 | | ..RIB ASSY-AUX | K,P,T ,AD,B C-BP, EX,EY | 1 |
| -678D | 114T3170-21 | | ..RIB ASSY-AUX (OPT ITEM 678E) | G-J,A H,BQ, BR | 1 |
| -678E | 114T3170-29 | | ..RIB ASSY-AUX (OPT ITEM 678D) | G-J,A H,BQ, BR | 1 |

57-43-37

 ILLUSTRATED PARTS LIST
 01.1 Page 1072X
 Jul 01/03

| FIG. & ITEM | PART NO. | AIRLINE PART NUMBER | NOMENCLATURE 1234567 | EFF CODE | QTY PER ASSY |
|-------------|-------------|---------------------|-----------------------------------|---|--------------|
| 01- | | | | | |
| -680 | 114T3170-10 | | DELETED | | |
| -680A | 114T3170-12 | | ..RIB ASSY- (USED ON ITEM 8C) | B,N,B S-BZ, EZ,FA | 1 |
| -680B | 114T3170-14 | | ..RIB ASSY | D,C A-CD, FB | 1 |
| -680C | 114T3170-26 | | ..RIB ASSY-AUX | L,Q,U ,AE,C E-CR, FC,FD | 1 |
| -680D | 114T3170-22 | | ..RIB ASSY-AUX (OPT ITEM 680E) | Y,AB, AJ,AP ,CS,C T | 1 |
| -680E | 114T3170-30 | | ..RIB ASSY-AUX (OPT ITEM 680F) | Y,AB, AJ,AP ,CS,C T | 1 |
| 682 | BACB30NU3K4 | | ATTACHING PARTS ..BOLT | A-D, G-Q,T ,U,Y, AB,AD ,AE,A H AJ,A P-CT, EU-FD | 2 |

57-43-37

| FIG. & ITEM | PART NO. | AIRLINE PART NUMBER | NOMENCLATURE 1234567 | EFF CODE | QTY PER ASSY |
|-------------|------------|---------------------|---|--|--------------|
| 01-684 | HL82-6APBW | | ..COLLAR- (V73197) (SPEC BACC30AG6) (OPT HL82-6APBW (V92215)) (OPT HL82-6APBW (V56878)) (OPT HL82-6APBW (V5M902)) (OPT ITEM 688 USED WITH ITEM 686) | A-D, K-Q,T ,U,AD ,AE,A Q-BP BS-CR ,EU- FD | 2 |
| 686 | AS46-3 | | ..WASHER- (V10630) (SPEC BACW10AU3) (OPT K19701P3 (V15653)) (OPT 53488W1032 (V56878)) (OPT 6073-0 (V72962)) (OPT TLN1020L3W (V08524)) (USED WITH ITEM 688) | A-D, K-Q,T ,U,AD ,AE,A Q-BP BS-CR ,EU- FD | 2 |
| -686A | AS46-3 | | ..WASHER- (V10630) (SPEC BACW10AU3) (OPT K19701P3 (V15653)) (OPT 53488W1032 (V56878)) (OPT 6073-0 (V72962)) (OPT TLN1020L3W (V08524)) | G-J,Y ,AB,A H,AJ, AP,BQ ,BR CS,CT ,EU- FD | 2 |

57-43-37

ILLUSTRATED PARTS LIST
01.1 Page 1072Z
Jul 01/03

| FIG. & ITEM | PART NO. | AIRLINE PART NUMBER | NOMENCLATURE 1234567 | EFF CODE | QTY PER ASSY |
|-------------|------------|---------------------|---|--|--------------|
| 01-688 | H19700P3 | | ..NUT- (V15653) (SPEC BACN10MT3) (OPT TLN1020-3N (V08524)) (OPT 52LH6073-02 (V72962)) (OPT 53488-1032 (V56878)) (OPT ITEM 684) (USED WITH ITEM 686) | A-D, K-Q,T ,U,AD ,AE,A Q-BP BS-CR ,EU- FD | 2 |
| -688A | H19700P3 | | ..NUT- (V15653) (SPEC BACN10MT3) (OPT TLN1020-3N (V08524)) (OPT 52LH6073-02 (V72962)) (OPT 53488-1032 (V56878)) | G-J,Y ,AB,A H,AJ, AP,BQ ,BR CS,CT | 2 |
| 690 | BACB30NW6K | | ..BOLT- (SIZE DETERMINE ON INST) | A-D, K-Q,T ,U,AD ,AE,A Q-BP BS-CR ,EU- FD | 24 |

57-43-37

| FIG. & ITEM | PART NO. | AIRLINE PART NUMBER | NOMENCLATURE 1234567 | EFF CODE | QTY PER ASSY |
|-------------|-------------|---------------------|--|--|--------------|
| 01-691 | HL445PB6-5X | | ..BOLT- (V97928) (SPEC BACB30ND6A5X) (OPT HL445PB6-5X (V80539)) (OPT 69310-6A5X (V56878)) (OPT HL445PB6-5X (V92215)) (OPT HL445PB6-5X (V73197)) (OPT HL445PB6-5X (V56878)) | G-J,Y ,AB,A H,AJ, AP,BQ ,BR CS,CT | 20 |
| 691D | HL445PB6-3X | | ..BOLT- (V97928) (SPEC BACB30ND6A3X) (OPT HL445PB6-3X (V80539)) (OPT 69310-6A3X (V56878)) (OPT HL445PB6-3X (V92215)) (OPT HL445PB6-3X (V73197)) (OPT HL445PB6-3X (V56878)) | G-J,Y ,AB,A H,AJ, AP,BQ ,BR CS,CT | 8 |
| 691H | HL445PB6-4X | | ..BOLT- (V97928) (SPEC BACB30ND6A4X) (OPT HL445PB6-4X (V80539)) (OPT 69310-6A4X (V56878)) (OPT HL445PB6-4X (V92215)) (OPT HL445PB6-4X (V73197)) (OPT HL445PB6-4X (V56878)) | G-J,Y ,AB,A H,AJ, AP,BQ ,BR CS,CT | 10 |

57-43-37

 ILLUSTRATED PARTS LIST
 01.1 Page 1074
 Jul 01/03

| FIG. & ITEM | PART NO. | AIRLINE PART NUMBER | NOMENCLATURE 1234567 | EFF CODE | QTY PER ASSY |
|-------------|-------------|---------------------|--|--|--------------|
| 01-691M | HL445PB6-6X | | ..BOLT- (V97928) (SPEC BACB30ND6A6X) (OPT HL445PB6-6X (V80539)) (OPT 69310-6A6X (V56878)) (OPT HL445PB6-6X (V92215)) (OPT HL445PB6-6X (V73197)) (OPT HL445PB6-6X (V56878)) | G-J,Y ,AB,A H,AJ, AP,BQ ,BR CS,CT | 4 |
| 692 | HL82-6APBW | | ..COLLAR- (V73197) (SPEC BACC30AG6) (OPT HL82-6APBW (V92215)) (OPT HL82-6APBW (V56878)) (OPT HL82-6APBW (V5M902)) | A-D, K-Q,T ,U,AD ,AE,A Q-BP BS-CR ,EU- FD | 24 |
| 693 | HL79-6 | | ..COLLAR- (V56878) (SPEC BACC30M6) (OPT HL79-6 (V73197)) (OPT HL79-6 (V92215)) (OPT 66014-6 (V56878)) (OPT HL79-6 (V5M902)) | G-J,Y ,AB,A H,AJ, AP,BQ ,BR CS,CT | 42 |
| 694 | BACB30NN5K | | ..BOLT- (SIZE DETERMINE ON INST) | A-D, K-Q,T ,U,AD ,AE,A Q-BP BS-CR ,EU- FD | 14 |

57-43-37

| FIG. & ITEM | PART NO. | AIRLINE PART NUMBER | NOMENCLATURE 1234567 | EFF CODE | QTY PER ASSY |
|-------------|----------------|---------------------|--|---|--------------|
| 01-696 | HL82-5APBW | | ..COLLAR- (V73197) (SPEC BACC30AG5) (OPT HL82-5APBW (V56878)) | A-D, K-Q,T ,U,AD ,AE,A Q-BP BS-CR ,EU- FD | 14 |
| 698 | BACB28AP08P019 | | -----*----- ...BUSHING | A-D, G-Q,T ,U,Y, AB,AD ,AE,A H AJ,A P-CT, EU-FD | 2 |
| 700 | HL11VAZ5-5 | | ...BOLT- (V56878) (SPEC BACB30NW5K5) (OPT B30NW5K5 (V97928)) (OPT HL11VAZ5-5 (V73197)) (OPT HL11VAZ5-5 (V92215)) (OPT HL11VAZ5-5 (V97928)) (OPT L803-5K5 (V06725)) (OPT HL11VAZ5-5 (V0PTK6)) (OPT HL11VAZ5-5 (V60516)) | A-D, G-Q,T ,U,Y, AB,AD ,AE,A H AJ,A P-CT, EU-FD | 2 |

57-43-37

ILLUSTRATED PARTS LIST
01.1 Page 1074B
Jul 01/03

| FIG. & ITEM | PART NO. | AIRLINE PART NUMBER | NOMENCLATURE 1234567 | EFF CODE | QTY PER ASSY |
|-------------|-------------------------------|---------------------|--|---|--------------|
| 01-702 | HL11VAZ5-4 | | ...BOLT- (V56878) (SPEC BACB30NW5K4) (OPT B30NW5K4 (V97928)) (OPT HL11VAZ5-4 (V73197)) (OPT HL11VAZ5-4 (V92215)) (OPT HL11VAZ5-4 (V97928)) (OPT L803-5K4 (V06725)) (OPT HL11VAZ5-4 (V0PTK6)) (OPT HL11VAZ5-4 (V60516)) | A-D, G-Q,T ,U,Y, AB,AD ,AE,A H AJ,A P-CT, EU-FD | 2 |
| 704 | AN960PD8L | | ...WASHER | A-D, G-Q,T ,U,Y, AB,AD ,AE,A H AJ,A P-CT, EU-FD | 4 |
| 706 706A | BACN10JCC08CD BACN10JC08CD | | DELETED ...NUT | A-D, G-Q,T ,U,Y, AB,AD ,AE,A H AJ,A P-CT, EU-FD | 4 |

57-43-37

| FIG. & ITEM | PART NO. | AIRLINE PART NUMBER | NOMENCLATURE 1234567 | EFF CODE | QTY PER ASSY |
|----------------|--------------------------|---------------------|---|---|--------------|
| 01-708 708A | 114T3008-1 114T3008-2 | | DELETED ...PLATE-RUB | A-D, G-Q,T U,Y, AB,AD AE,A H AJ,A P-CT, EU-FD | 2 |
| 710 | BACR15BA3AD | | ...RIVET- (SIZE DETERMINE ON INST) | A-D, K-Q,T U,AD AE,A Q-BP BS-CR EU-FD | 60 |
| 712 | BACN10JQ32 | | ...NUTPLATE | A-D, K-Q,T U,AD AE,A Q-BP BS-CR EU-FD | 4 |
| 714 | BRFM20A3 | | ...NUTPLATE- (V52828) (SPEC BACN10JN3) (OPT MF1000-3BAC (V15653)) (OPT NS103218-02 (V80539)) (OPT RMF9201M3 (V72962)) (OPT VN252A02 (V92215)) (OPT MF1000-3BAC (V15653)) (OPT MF53049-3 (V15653)) | A-D, K-Q,T U,AD AE,A Q-BP BS-CR EU-FD | 6 |

57-43-37

ILLUSTRATED PARTS LIST
01.1 Page 1074D
Jul 01/03

| FIG. & ITEM | PART NO. | AIRLINE PART NUMBER | NOMENCLATURE 1234567 | EFF CODE | QTY PER ASSY |
|-------------|--------------|---------------------|--|--|--------------|
| 01-716 | NS103225-02 | | ...NUTPLATE- (V80539) (SPEC BACN10KH3) (OPT RMF9209M3 (V72962)) (OPT RMF9209M3 (V72962)) | A-D, K-Q,T ,U,AD ,AE,A Q-BP BS-CR ,EU- FD | 20 |
| 718 | NAS1195DD3KH | | ...SHIM | A-D, K-Q,T ,U,AD ,AE,A Q-BP BS-CR ,EU- FD | 9 |
| 720 | 114T3172-9 | | DELETED | | |
| 720A | 114T3170-9 | | ...RIB | A,M,A Q-AX, EU,EV | 1 |
| -720B | 114T3170-15 | | ...RIB | C,A Y-BB, EW | 1 |
| -720C | 114T3170-27 | | ...RIB | K,P,T ,AD,B C-BP, EX,EY | 1 |
| -720D | 114T3170-23 | | ...RIB- (USED ON ITEM 678D) | G-J,A H,BQ, BR | 1 |
| -720E | 114T3170-31 | | ...RIB- (USED ON ITEM 678E) | G-J,A H,BQ, BR | 1 |

57-43-37

| FIG. & ITEM | PART NO. | AIRLINE PART NUMBER | NOMENCLATURE 1234567 | EFF CODE | QTY PER ASSY |
|-------------|-------------|---------------------|--------------------------------------|---|--------------|
| 01- | | | | | |
| -722 | 114T3172-10 | | DELETED | | |
| -722A | 114T3170-10 | | ...RIB | B,N,B S-BZ, EZ,FA | 1 |
| -722B | 114T3170-16 | | ...RIB | D,C A-CD, FB | 1 |
| -722C | 114T3170-28 | | ...RIB | L,Q,U ,AE,C E-CR, FC,FD | 1 |
| -722D | 114T3170-24 | | ...RIB- (USED ON ITEM 680D) | Y,AB, AJ,AP ,CS,C T | 1 |
| -722E | 114T3170-32 | | ...RIB- (USED ON ITEM 680E) | Y,AB, AJ,AP ,CS,C T | 1 |
| 725 | BACR15CE5KE | | ..RIVET- (SIZE DETERMINE ON INST) | A-D, G-Q,T ,U,Y, AB,AD ,AE,A H AJ,A P-CT, EU-FD | 112 |
| 730 | BACR15BA5A | | ..RIVET- (SIZE DETERMINE ON INST) | A-D, G-Q,T ,U,Y, AB,AD ,AE,A H AJ,A P-CT, EU-FD | 6 |

57-43-37

| FIG. & ITEM | PART NO. | AIRLINE PART NUMBER | NOMENCLATURE 1234567 | EFF CODE | QTY PER ASSY |
|-------------|-------------|---------------------|---|--|--------------|
| 01-735 | BACB30NW5K | | ..BOLT- (SIZE DETERMINE ON INST) | A-D, G-Q,T ,U,Y, AB,AD ,AE,A H AJ,A P-CT, EU-FD | 90 |
| 740 | BACR15CE5AD | | ..RIVET- (SIZE DETERMINE ON INST) (USED ON ITEMS 6C, 8C) (USED WITH ITEMS 770, 775) | A-D, G-Q,T ,U,Y, AB,AD ,AE,A H AJ,A P-CT, EU-FD | 10 |
| 745 | BACB30NW5K | | ..BOLT- (SIZE DETERMINE ON INST) (USED ON ITEMS 6, 6A, 6B, 8, 8A, 8B) (USED WITH ITEMS 770A, 775A) | A,B, G-J,M ,N,Y, AB,AH ,AJ AP-AX ,BQ-B Z,CS, CT,EU ,EV EA,FA | 10 |

57-43-37

| FIG. & ITEM | PART NO. | AIRLINE PART NUMBER | NOMENCLATURE | EFF CODE | QTY PER ASSY |
|-------------|------------|---------------------|---|--|--------------|
| 01-750 | BACW10DM5P | | 1234567 ..WASHER- (USED ON ITEMS 6C, 8C) (USED WITH ITEMS 770, 775) | A-D, G-Q,T ,U,Y, AB,AD ,AE,A H AJ,A P-CT, EU-FD | 17 |
| 755 | BACW10DM5P | | ..WASHER- (USED ON ITEMS 6, 6A, 6B, 8, 8A, 8B) (USED WITH ITEMS 770A, 775A) | A,B, G-J,M ,N,Y, AB,AH ,AJ AP-AX ,BQ-B Z,CS, CT,EU ,EV EA,FA | 9 |
| 760 | HL70-5 | | ..COLLAR- (V56878) (SPEC BACC30M5) (OPT HL70-5 (V73197)) (OPT HL70-5 (V92215)) (OPT 66014-5 (V56878)) (OPT HL79-5 (V5M902)) | A-D, G-Q,T ,U,Y, AB,AD ,AE,A H AJ,A P-CT, EU-FD | 90 |

57-43-37

 ILLUSTRATED PARTS LIST
 01.1 Page 1074H
 Jul 01/03

| FIG. & ITEM | PART NO. | AIRLINE PART NUMBER | NOMENCLATURE 1234567 | EFF CODE | QTY PER ASSY |
|-------------|------------|---------------------|---|--|--------------|
| 01-765 | HL70-5 | | ..COLLAR- (V56878) (SPEC BACC30M5) (OPT HL70-5 (V73197)) (OPT HL70-5 (V92215)) (OPT 66014-5 (V56878)) (OPT HL79-5 (V5M902)) (USED ON ITEMS 6, 6A, 6B, 8, 8A, 8B) (USED WITH ITEMS 770A, 775A) | A,B, G-J,M ,N,Y, AB,AH ,AJ AP-AX ,BQ-B Z,CS, CT,EU ,EV EZ,FA | 10 |
| 770 | 114T3162-5 | | ..PANEL ASSY-CLOSE OUT (USED ON ITEM 6C) | A,C, G-K,M ,P,T, AD,AH ,AQ-B R EU-EY | 1 |
| -770A | 114T3162-7 | | ..PANEL ASSY-CLOSE OUT (USED ON ITEMS 6, 6A, 6B) | A,G-J ,M,AH ,AQ-A X,BQ, BR EU,EV | 1 |
| -775 | 114T3162-6 | | ..PANEL ASSY-CLOSE OUT (USED ON ITEM 8C) | B,D,L ,N,Q, U,Y,A B,AE, AJ,AP BS-CT ,EZ- FD | 1 |
| -775A | 114T3162-8 | | ..PANEL ASSY-CLOSE OUT (USED ON ITEMS 8, 8A, 8B) | B,N,Y ,AB,A J,AP, BS-BZ ,CS CT,EZ ,FA | 1 |

57-43-37

| FIG. & ITEM | PART NO. | AIRLINE PART NUMBER | NOMENCLATURE 1234567 | EFF CODE | QTY PER ASSY |
|-------------|-------------|---------------------|--|---|--------------|
| 01-780 | BACB30NW5K | | ...BOLT- (SIZE DETERMINE ON INST) | A-D, G-Q,T U,Y, AB,AD AE,A H AJ,A P-CT, EU-FD | 124 |
| 785 | BACR15BA5AD | | ...RIVET- (SIZE DETERMINE ON INST) | A-D, G-Q,T U,Y, AB,AD AE,A H AJ,A P-CT, EU-FD | 6 |
| 790 | BACW10DM5P | | ...WASHER | A-D, G-Q,T U,Y, AB,AD AE,A H AJ,A P-CT, EU-FD | 103 |
| 795 | HL70-5 | | ...COLLAR- (V56878) (SPEC BACC30M5) (OPT HL70-5 (V73197)) (OPT HL70-5 (V92215)) (OPT 66014-5 (V56878)) (OPT HL79-5 (V5M902)) | A-D, G-Q,T U,Y, AB,AD AE,A H AJ,A P-CT, EU-FD | 124 |

57-43-37

 ILLUSTRATED PARTS LIST
 01.1 Page 1074J
 Jul 01/03

| FIG. & ITEM | PART NO. | AIRLINE PART NUMBER | NOMENCLATURE 1234567 | EFF CODE | QTY PER ASSY |
|-------------|-------------|---------------------|-------------------------|---|--------------|
| 01-800 | 114T3162-9 | | ...COVER-GAP | A-D, G-Q,T U,Y, AB,AD AE,A H AJ,A P-CT, EU-FD | 1 |
| 805 | 114T3162-10 | | ...COVER-GAP | A-D, G-Q,T U,Y, AB,AD AE,A H AJ,A P-CT, EU-FD | 1 |
| 810 | 114T3165-9 | | ...SKIN | A,C, G-K,M P,T, AD,AH AQ-B R EU-EY | 1 |
| -815 | 114T3165-10 | | ...SKIN | B,D,L N,Q, U,Y,A B,AE, AJ,AP BS-CT EZ- FD | 1 |

57-43-37

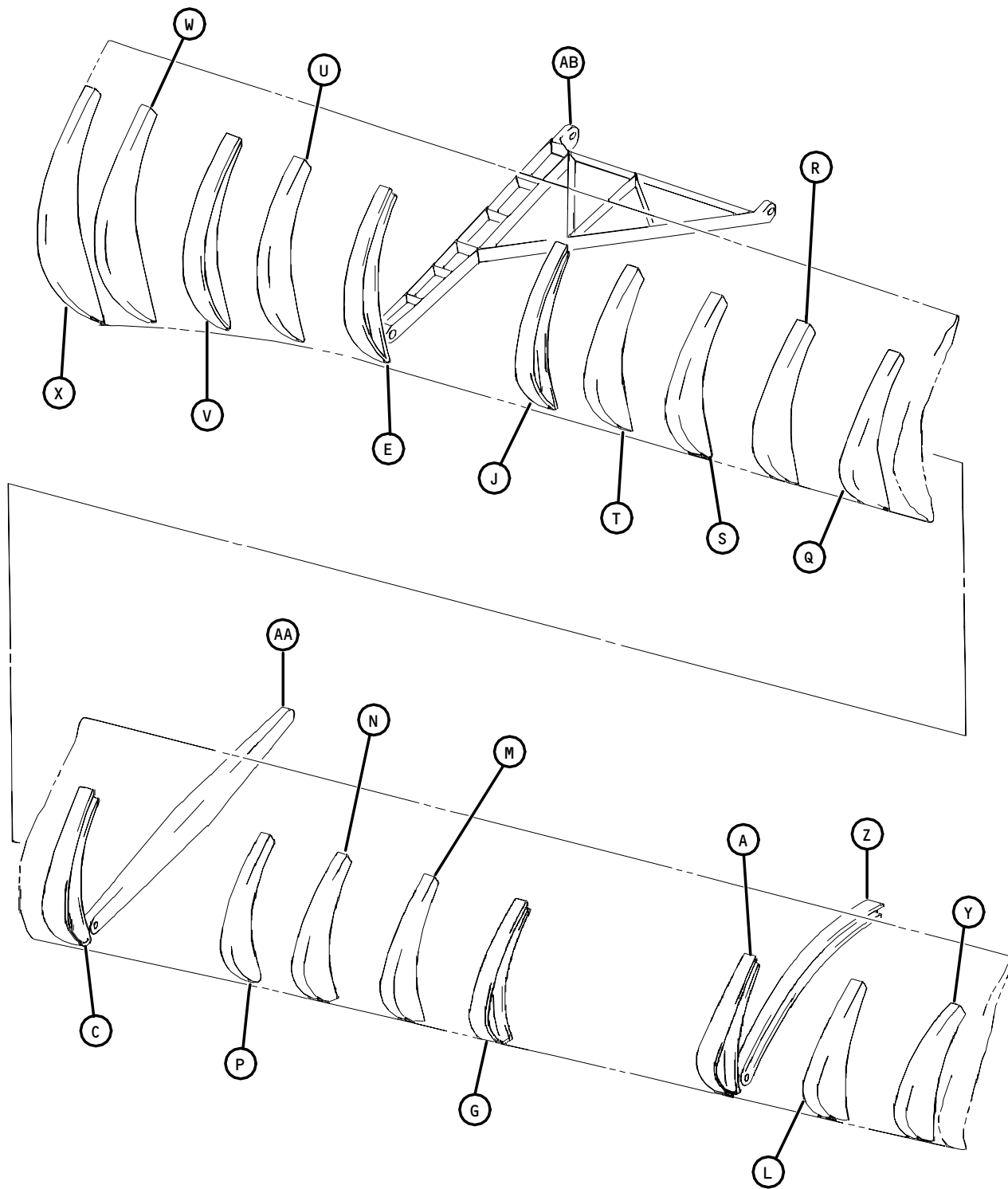
| FIG. & ITEM | PART NO. | AIRLINE PART NUMBER | NOMENCLATURE 1234567 | EFF CODE | QTY PER ASSY |
|-------------|------------|---------------------|-------------------------|--|--------------|
| 01-820 | 114T3165-7 | | ...SKIN | A,C, G-K,M ,P,T, AD,AH ,AQ-B R EU-EY | 1 |
| -825 | 114T3165-8 | | ...SKIN | B,D,L ,N,Q, U,Y,A B,AE, AJ,AP BS-CT ,EZ- FD | 1 |
| 830 | 114T3165-3 | | ...SKIN | A,C, G-K,M ,P,T, AD,AH ,AQ-B R EU-EY | 1 |
| -835 | 114T3165-4 | | ...SKIN | B,D,L ,N,Q, U,Y,A B,AE, AJ,AP BS-CT ,EZ- FD | 1 |

57-43-37

ILLUSTRATED PARTS LIST
 01.1 Page 1074L
 Jul 01/03

| FIG. & ITEM | PART NO. | AIRLINE PART NUMBER | NOMENCLATURE | EFF CODE | QTY PER ASSY |
|-------------|------------|---------------------|-----------------------|---|--------------|
| 01-840 | 114T3165-1 | | 1234567 ...SKIN | A,C, G-K,M P,T, AD,AH AQ-B R | 1 |
| -845 | 114T3165-2 | | ...SKIN | EU-EY B,D,L N,Q, U,Y,A B,AE, AJ,AP BS-CT EZ- FD | 1 |
| R | | | BOEING LETTER HISTORY | | |

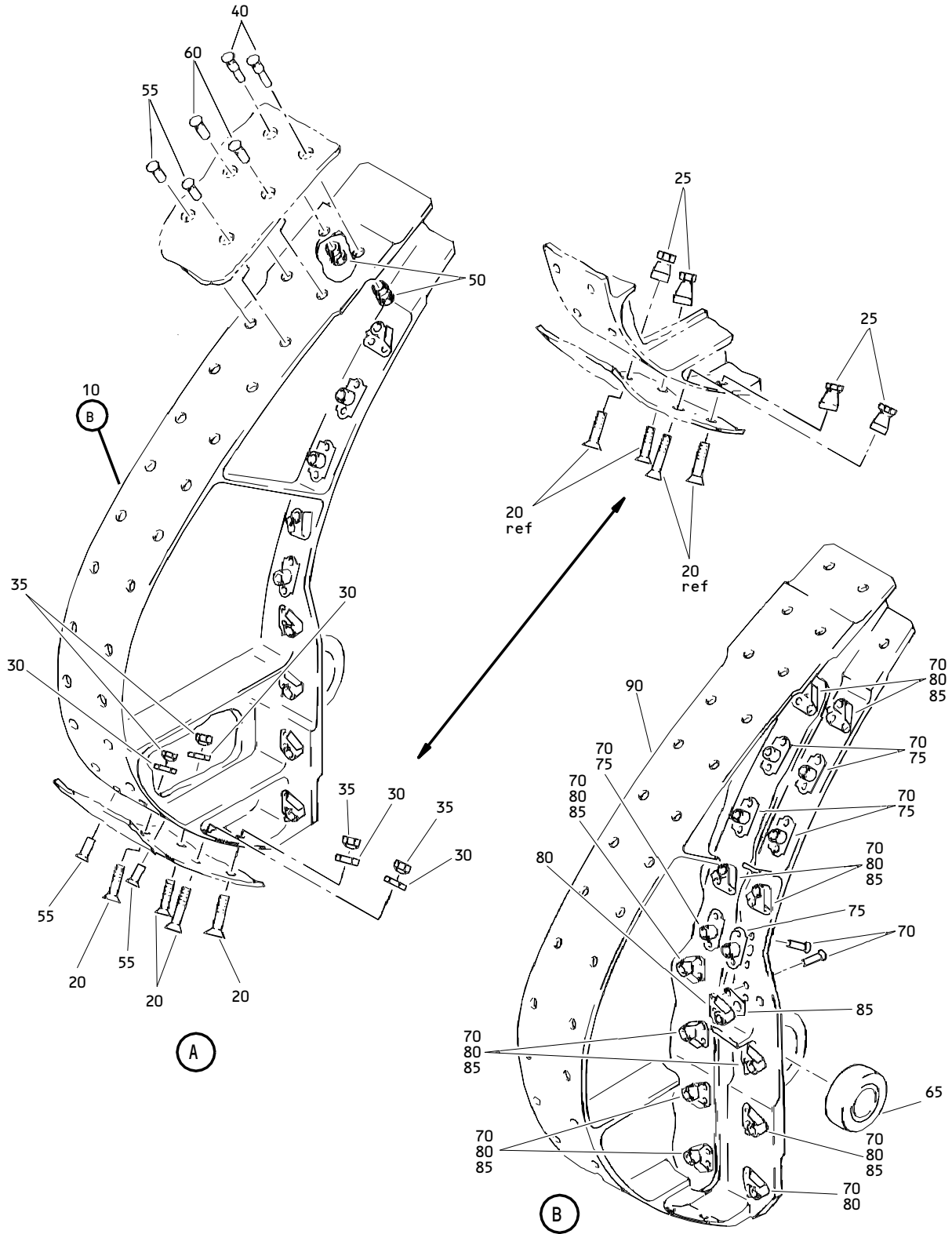
- Item Not Illustrated



Inboard Slat No. 6 and 7 Wing Leading Edge Structure Assembly
 Figure 2 (Sheet 1)

57-43-37

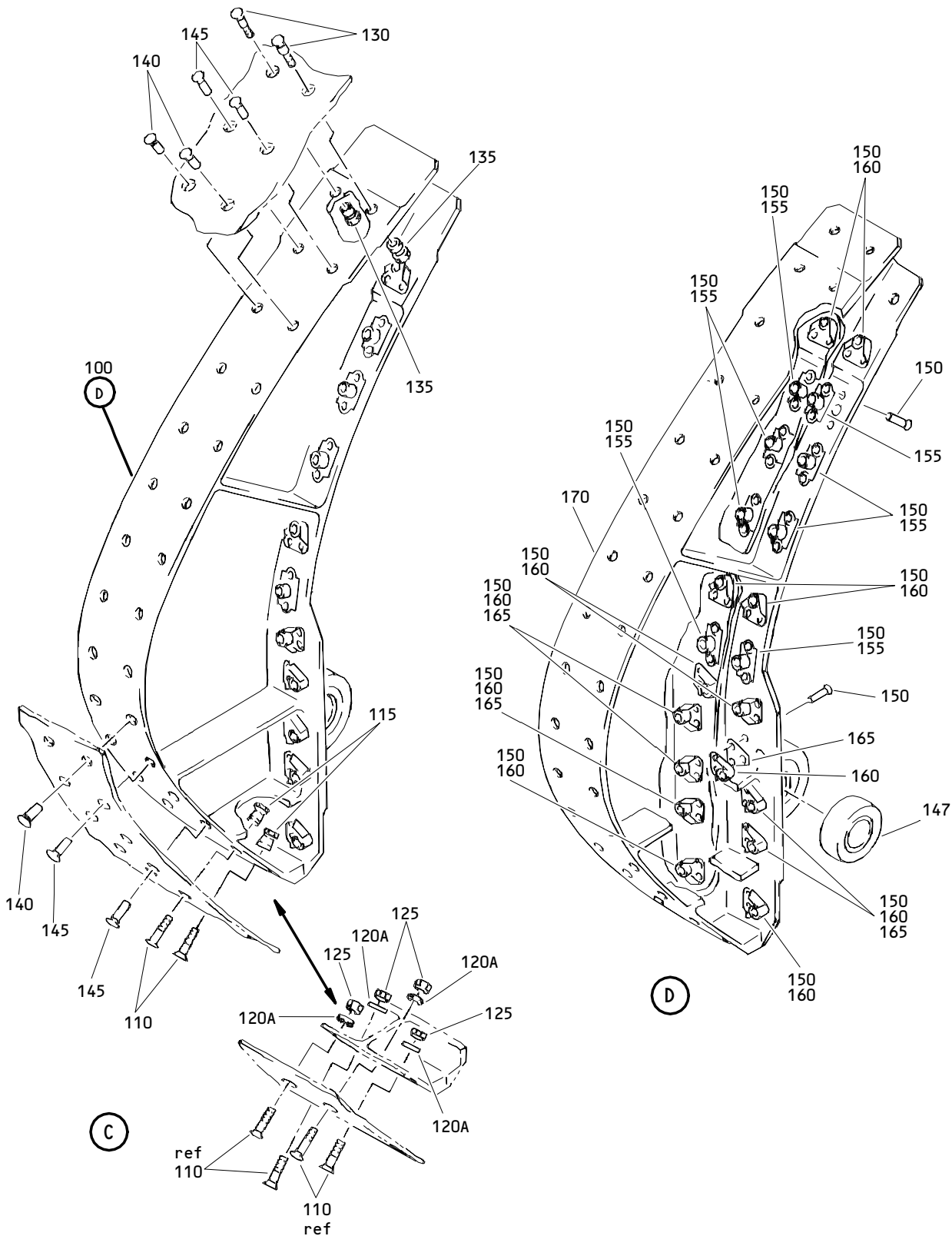
ILLUSTRATED PARTS LIST
 01.1 Page 1074N
 Jul 01/03



Inboard Slat No. 6 and 7 Wing Leading Edge Structure Assembly
Figure 2 (Sheet 2)

57-43-37

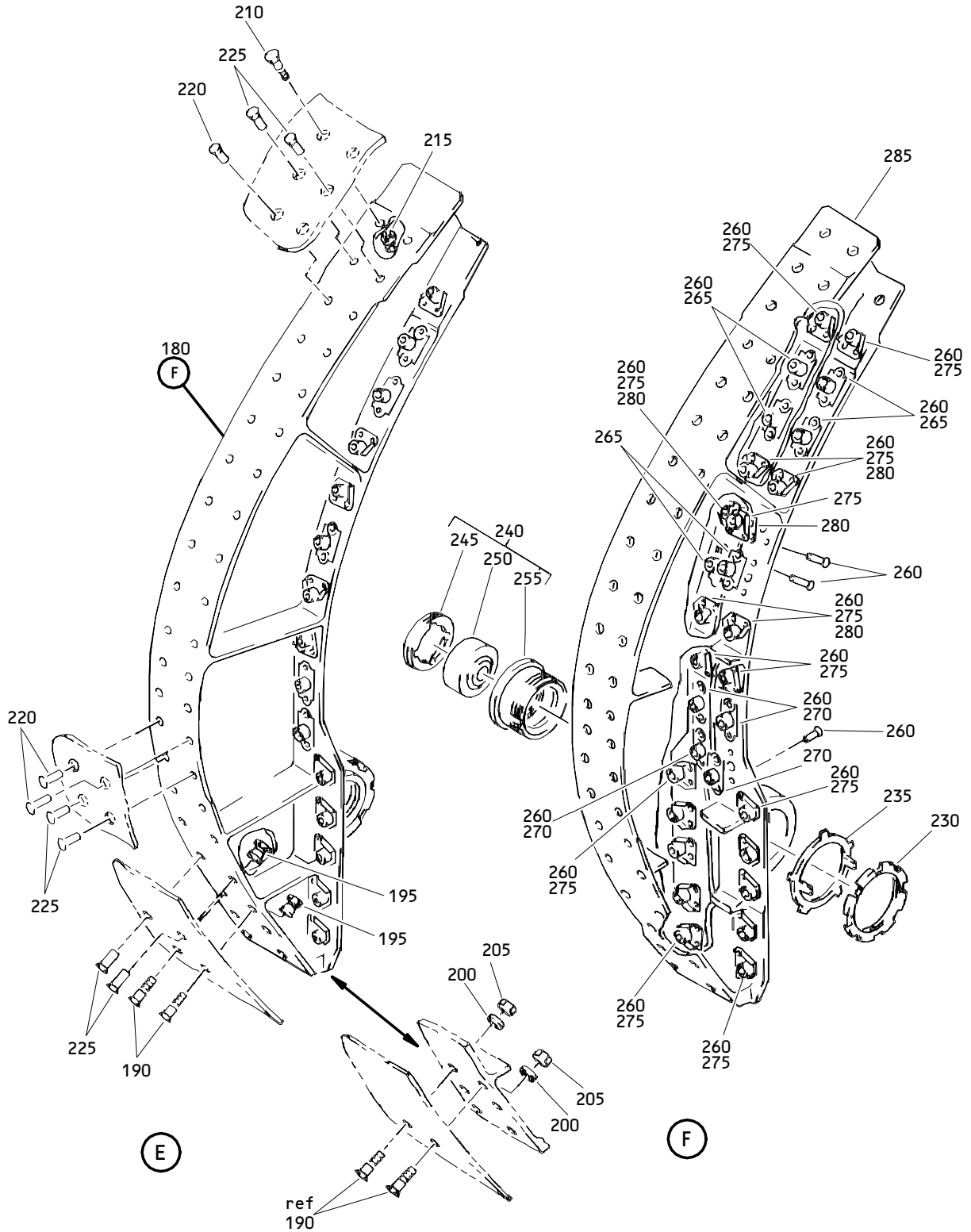
ILLUSTRATED PARTS LIST
01.1 Page 10740
Jul 01/03



Inboard Slat No. 6 and 7 Wing Leading Edge Structure Assembly
 Figure 2 (Sheet 3)

57-43-37

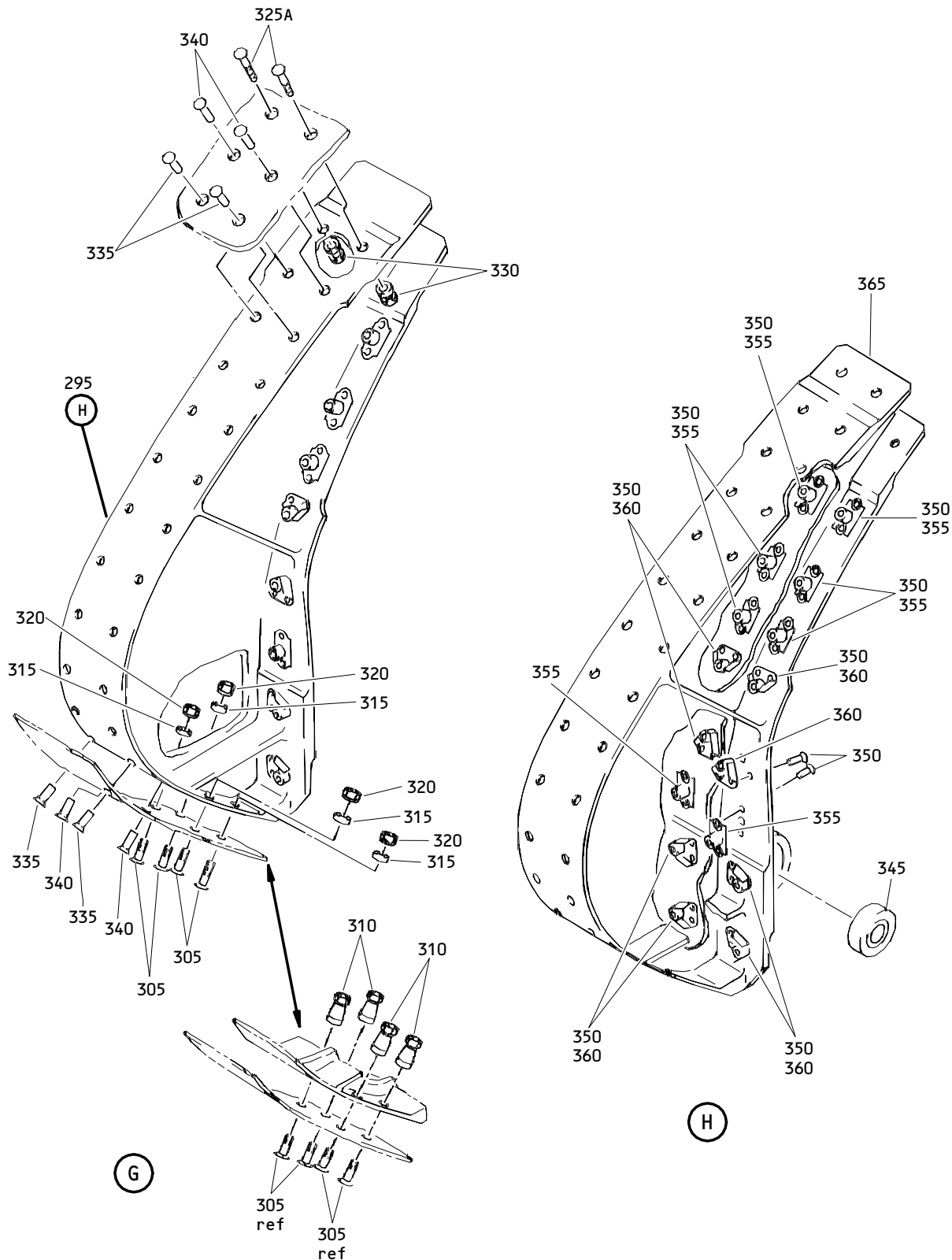
ILLUSTRATED PARTS LIST
 01.1 Page 1074P
 Jul 01/03



Inboard Slat No. 6 and 7 Wing Leading Edge Structure Assembly
Figure 2 (Sheet 4)

57-43-37

ILLUSTRATED PARTS LIST
01.1 Page 1074Q
Jul 01/03

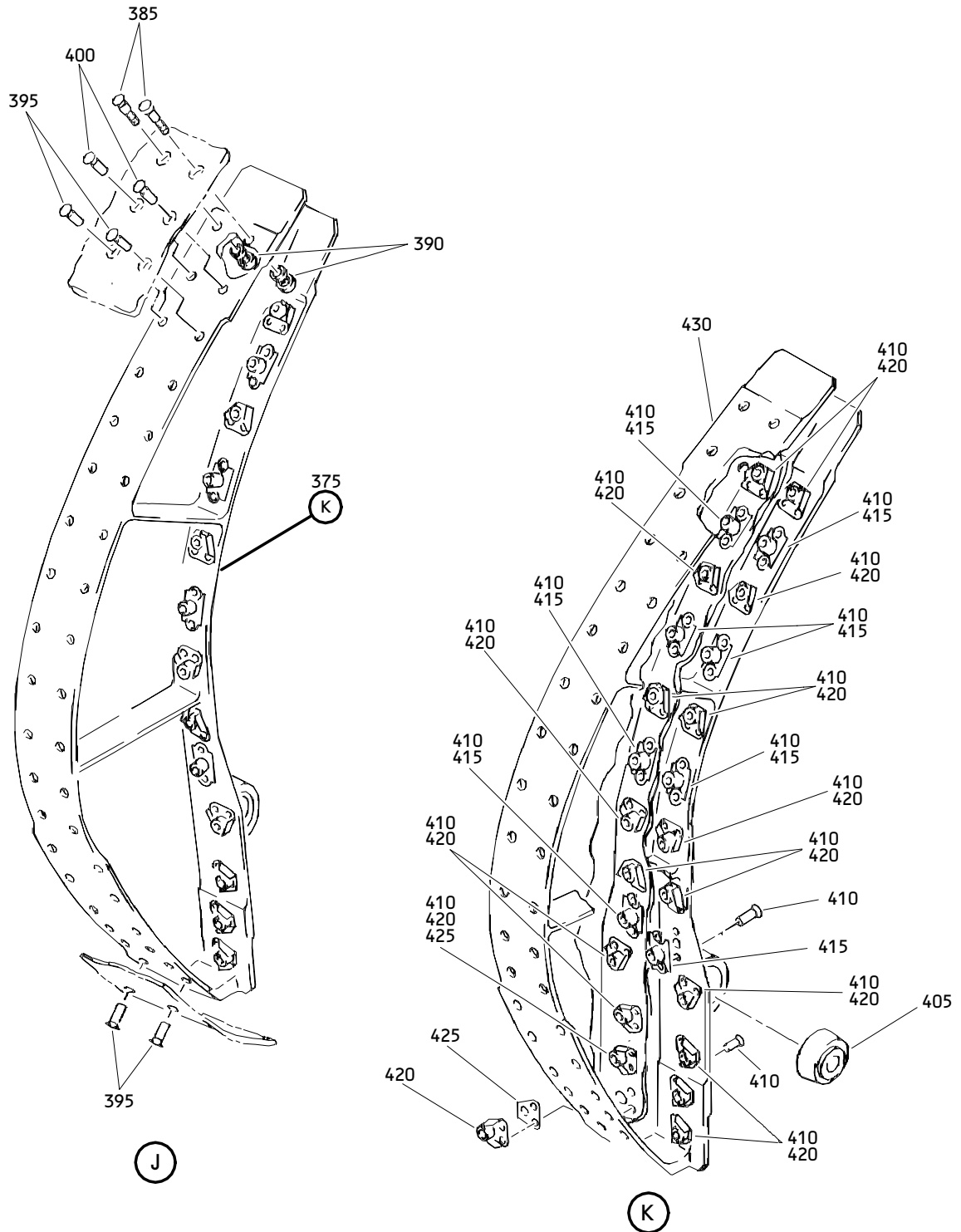


Inboard Slat No. 6 and 7 Wing Leading Edge Structure Assembly
 Figure 2 (Sheet 5)

57-43-37

ILLUSTRATED PARTS LIST
 01.1 Page 1074R
 Jul 01/03

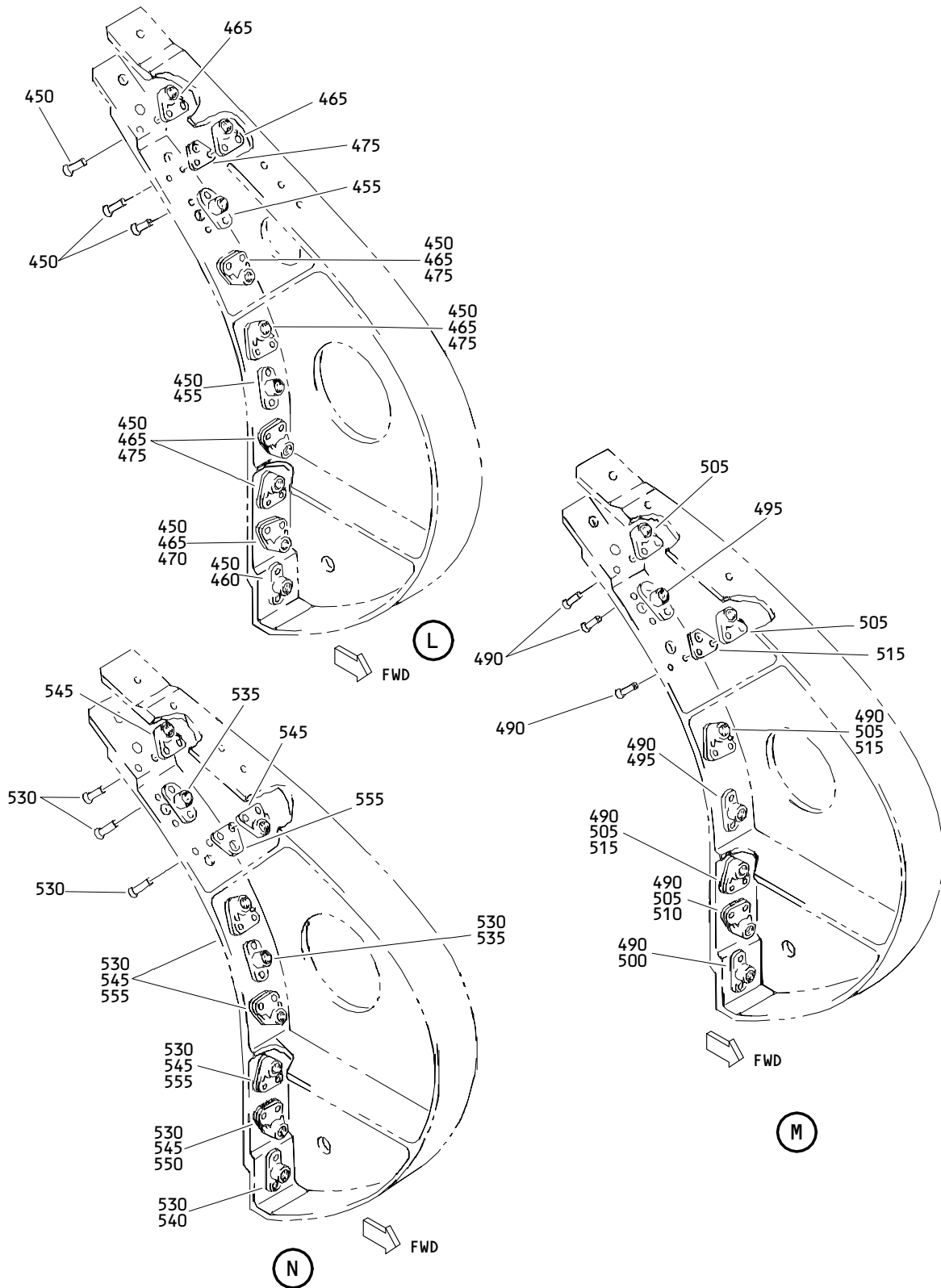
T77876



Inboard Slat No. 6 and 7 Wing Leading Edge Structure Assembly
Figure 2 (Sheet 6)

57-43-37

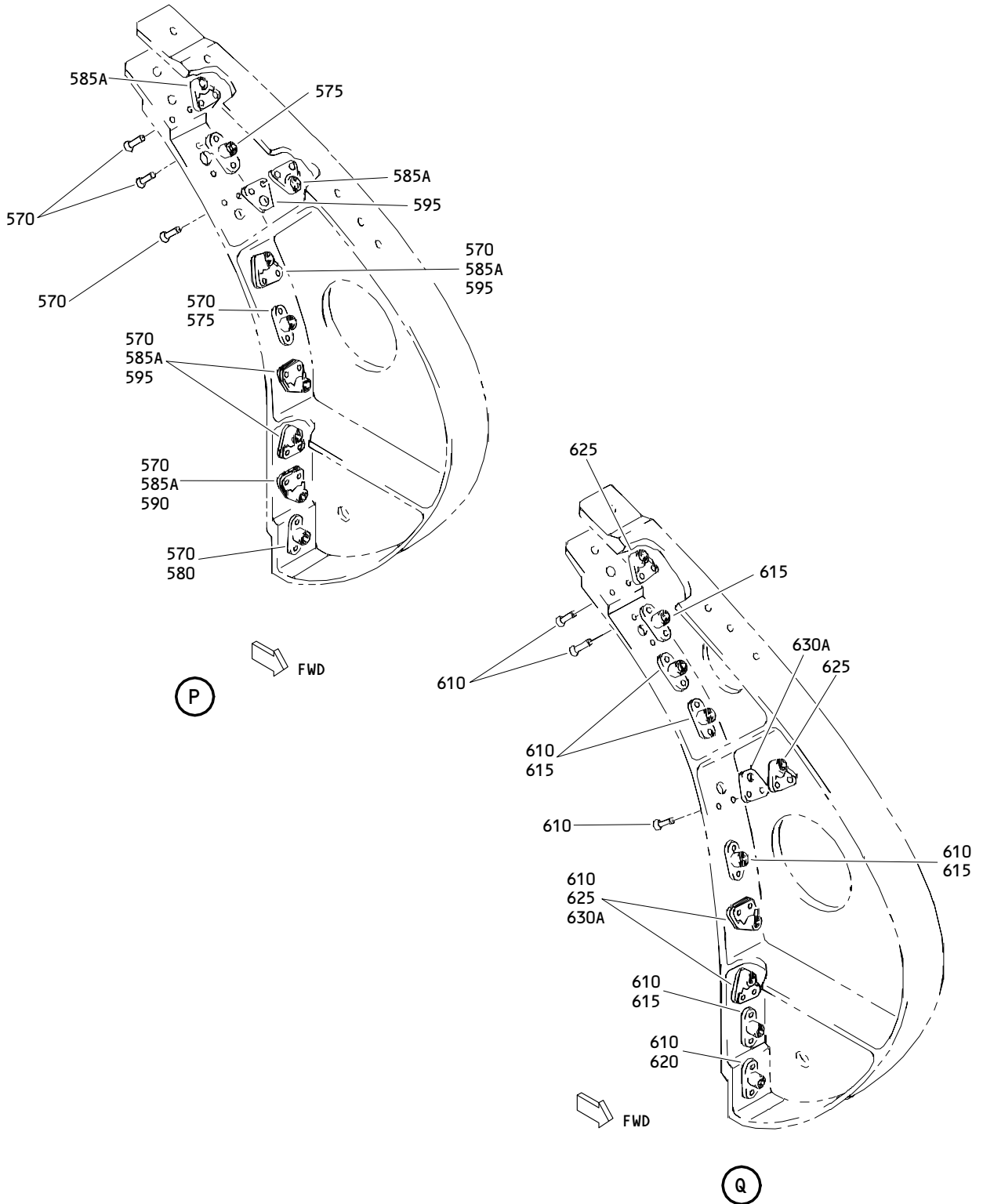
ILLUSTRATED PARTS LIST
01.1 Page 1074S
Jul 01/03



Inboard Slat No. 6 and 7 Wing Leading Edge Structure Assembly
 Figure 2 (Sheet 7)

57-43-37

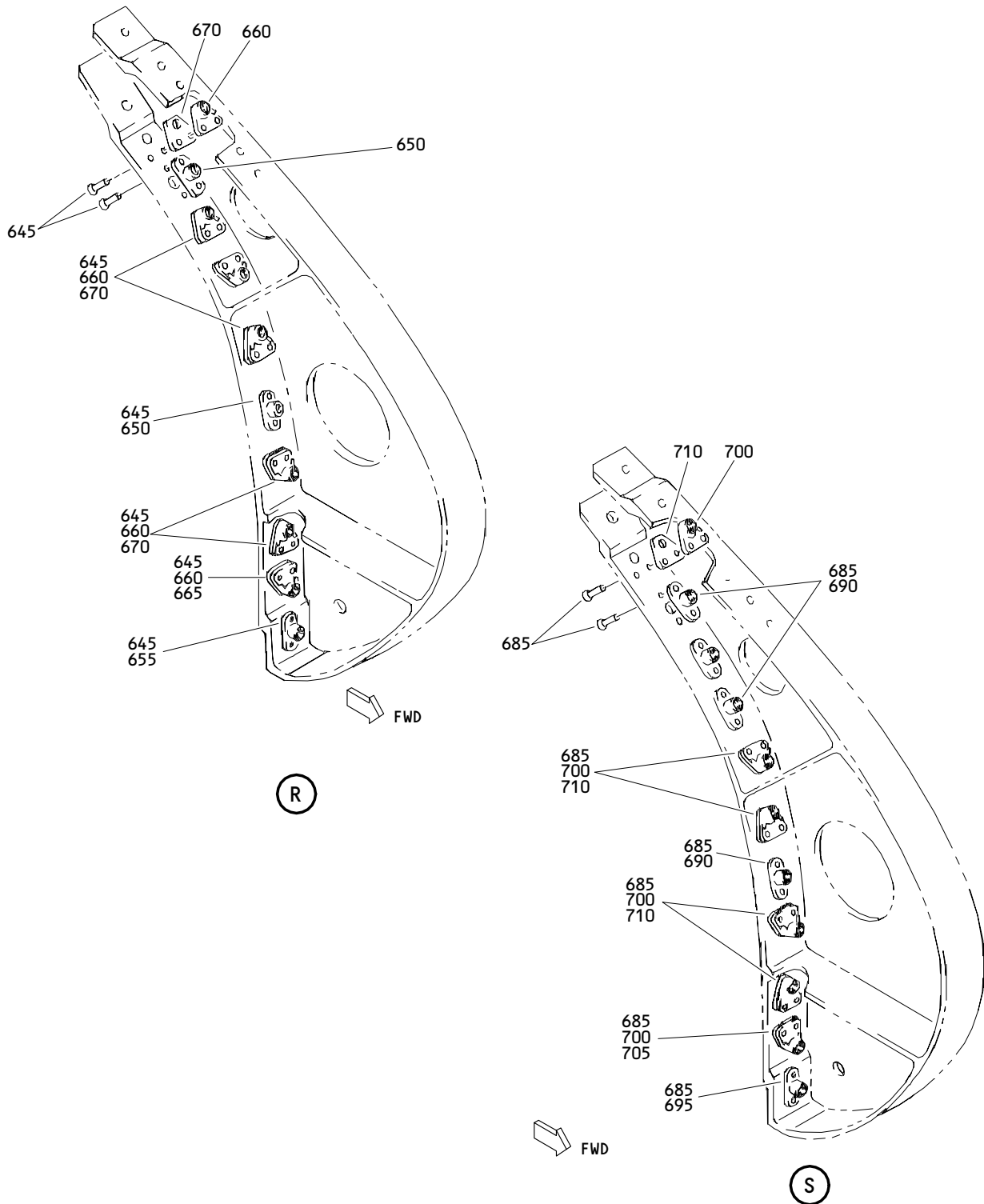
ILLUSTRATED PARTS LIST
 01.1 Page 1074T
 Jul 01/03



Inboard Slat No. 6 and 7 Wing Leading Edge Structure Assembly
 Figure 2 (Sheet 8)

57-43-37

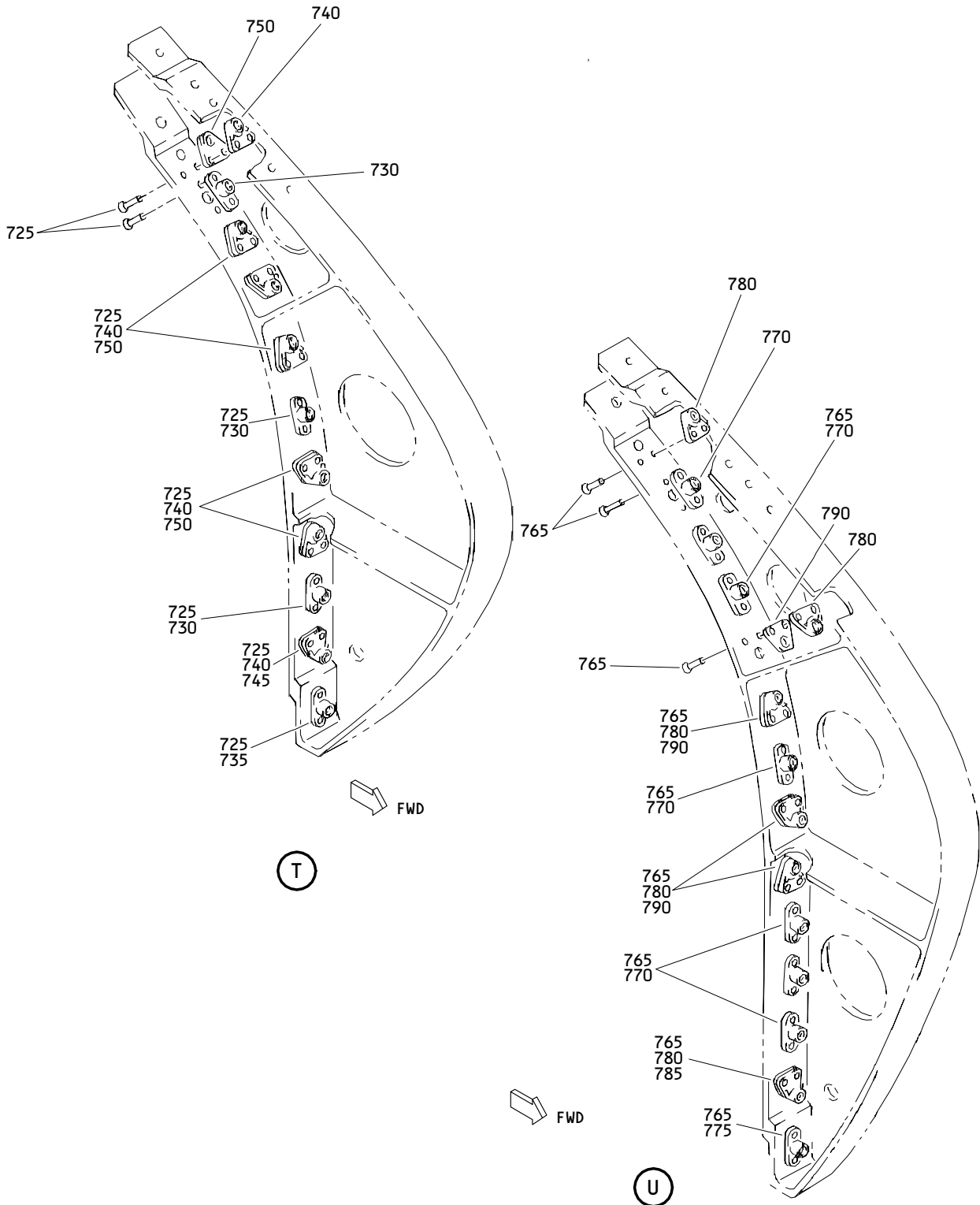
ILLUSTRATED PARTS LIST
 01.1 Page 1074U
 Jul 01/03



Inboard Slat No. 6 and 7 Wing Leading Edge Structure Assembly
 Figure 2 (Sheet 9)

57-43-37

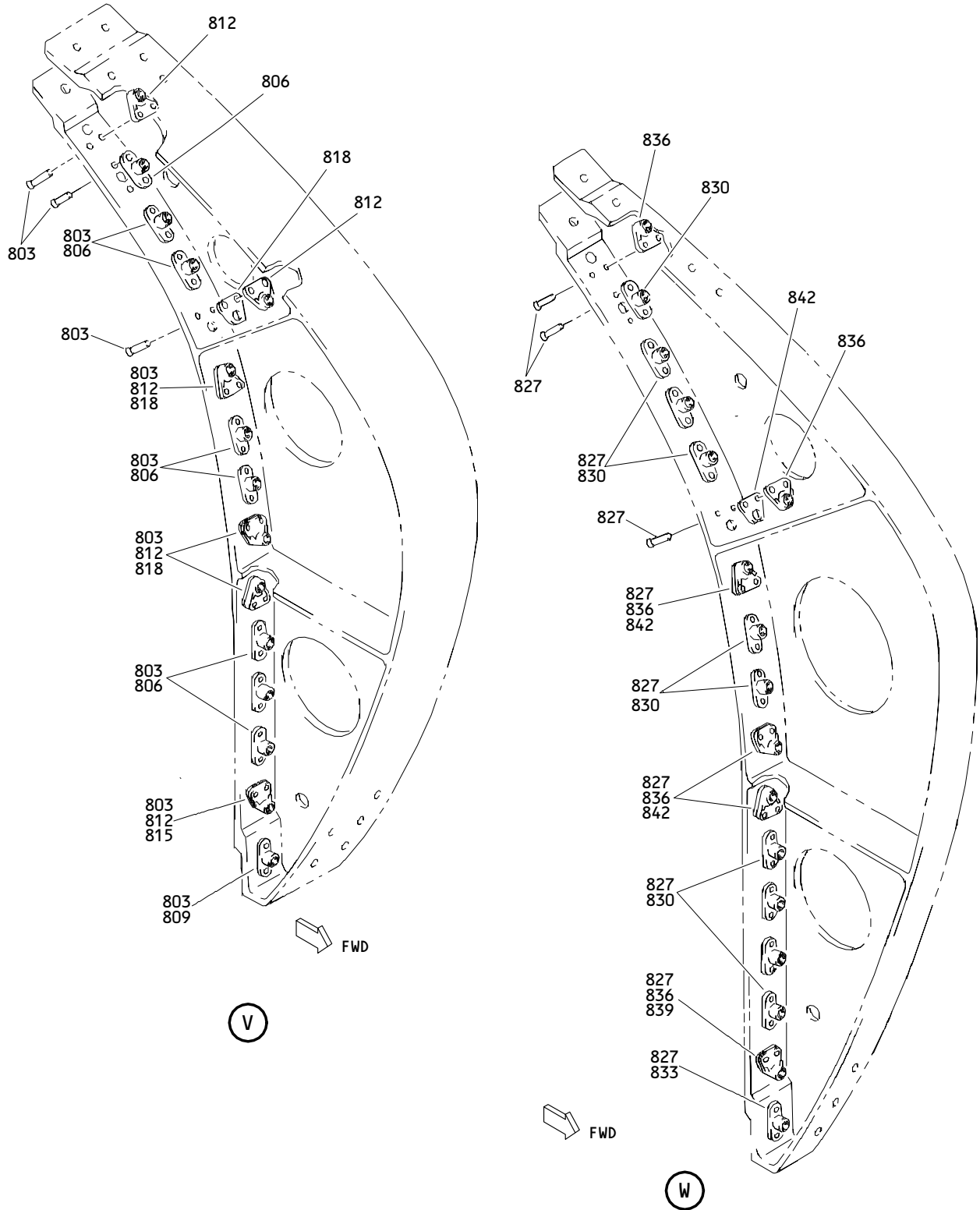
ILLUSTRATED PARTS LIST
 01.1 Page 1074V
 Jul 01/03



Inboard Slat No. 6 and 7 Wing Leading Edge Structure Assembly
Figure 2 (Sheet 10)

57-43-37

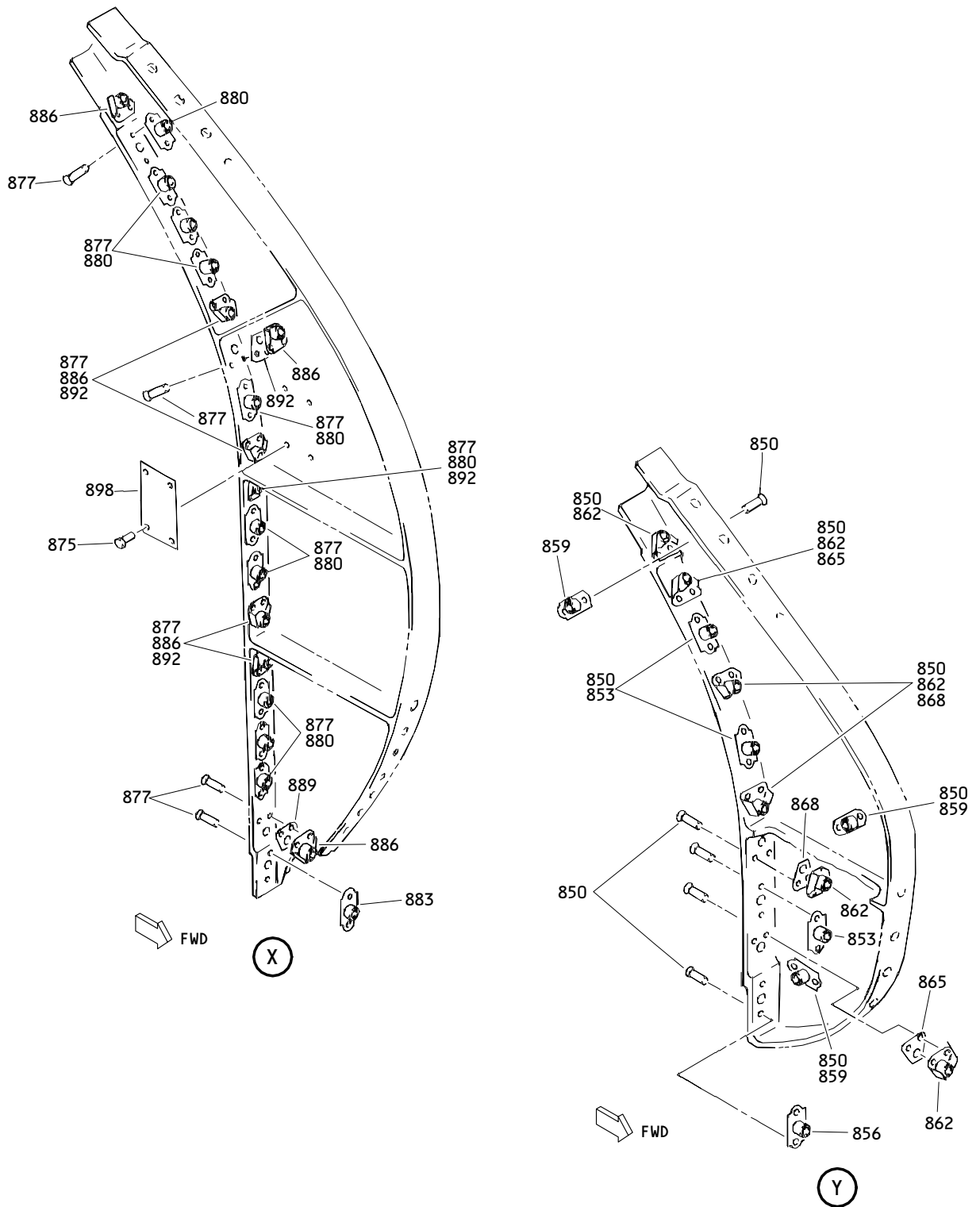
ILLUSTRATED PARTS LIST
01.1 Page 1074W
Jul 01/03



Inboard Slat No. 6 and 7 Wing Leading Edge Structure Assembly
 Figure 2 (Sheet 11)

57-43-37

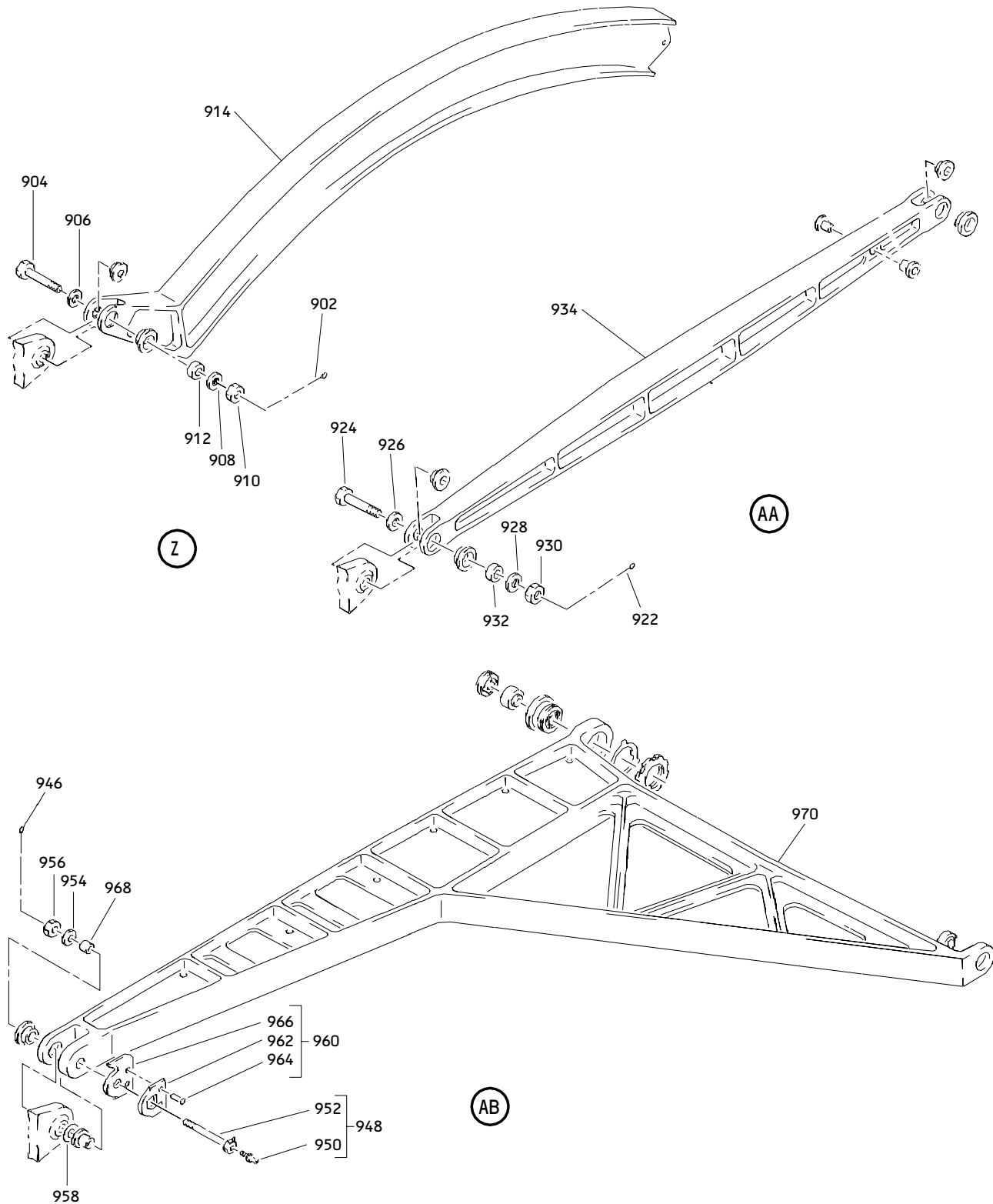
ILLUSTRATED PARTS LIST
 01.1 Page 1074X
 Jul 01/03



Inboard Slat No. 6 and 7 Wing Leading Edge Structure Assembly
Figure 2 (Sheet 12)

57-43-37

ILLUSTRATED PARTS LIST
01.1 Page 1074Y
Jul 01/03



Inboard Slat No. 6 and 7 Wing Leading Edge Structure Assembly
 Figure 2 (Sheet 13)

57-43-37

ILLUSTRATED PARTS LIST
 01.1 Page 1074Z
 Jul 01/03

| FIG. & ITEM | PART NO. | AIRLINE PART NUMBER | NOMENCLATURE 1234567 | EFF CODE | QTY PER ASSY |
|------------------|------------------------------|---------------------|--|----------|--------------|
| 02- -1 -1A | 114T3100-1SP 114T3100-11 | | DELETED STRUCTURE ASSY-SLAT NO. 6 INBD LE (VARIABLE) (LH) (PRE SB 767-57A0057) (FOR ADDITIONAL DETAILS SEE FIG. 1) | M | RF |
| -1B -1C | 114T3100-13SP 114T3100-15 | | DELETED STRUCTURE ASSY-SLAT NO. 6 INBD LE (VARIABLE) (LH) (PRE SB 767-57A0057) (FOR ADDITIONAL DETAILS SEE FIG. 1) | P | RF |
| -1D -1E | 114T3100-21SP 114T3100-25 | | DELETED STRUCTURE ASSY-SLAT NO. 6 INBD LE (VARIABLE) (LH) (PRE SB 767-57A0057) (FOR ADDITIONAL DETAILS SEE FIG. 1) | K | RF |
| -1F | 114T3100-33 | | STRUCTURE ASSY-SLAT NO. 6 INBD LE (VARIABLE) (LH) (PRE SB 767-57A0057) (FOR ADDITIONAL DETAILS SEE FIG. 1) | AD | RF |
| -1G | 015T0165-9 | | SLAT ASSY-NO. 6 AND NO. 7 WING LE TOP KIT (LH) (POST SB 767-32-0095) (PRE SB 767-57A0057) (FOR ADDITIONAL DETAILS SEE FIG. 1) | AH | RF |
| -1H | 015T1507-601 | | STRUCTURE ASSY-SLAT NO. 6 INBD LE (LH) (POST SB 767-57A0057) (FOR ADDITIONAL DETAILS SEE FIG. 1) | AQ | RF |
| -1J | 015T1507-603 | | STRUCTURE ASSY-SLAT NO. 6 INBD LE (LH) (POST SB 767-57A0057) (FOR ADDITIONAL DETAILS SEE FIG. 1) | AR | RF |
| -1K | 015T1507-605 | | STRUCTURE ASSY-SLAT NO. 6 INBD LE (LH) (POST SB 767-57A0057) (FOR ADDITIONAL DETAILS SEE FIG. 1) | AS | RF |

57-43-37

| FIG. & ITEM | PART NO. | AIRLINE PART NUMBER | NOMENCLATURE 1234567 | EFF CODE | QTY PER ASSY |
|-------------|--------------|---------------------|--|----------|--------------|
| 02- -1L | 015T1507-641 | | STRUCTURE ASSY-SLAT NO. 6 INBD LE (LH) (POST SB 767-57A0057) (FOR ADDITIONAL DETAILS SEE FIG. 1) | AT | RF |
| -1M | 015T1507-643 | | STRUCTURE ASSY-SLAT NO. 6 INBD LE (LH) (POST SB 767-57A0057) (FOR ADDITIONAL DETAILS SEE FIG. 1) | AU | RF |
| -1N | 015T1507-645 | | STRUCTURE ASSY-SLAT NO. 6 INBD LE (LH) (POST SB 767-57A0057) (FOR ADDITIONAL DETAILS SEE FIG. 1) | AV | RF |
| -1P | 015T1507-607 | | STRUCTURE ASSY-SLAT NO. 6 INBD LE (LH) (POST SB 767-57A0057) (FOR ADDITIONAL DETAILS SEE FIG. 1) | AW | RF |
| -1Q | 015T1507-647 | | STRUCTURE ASSY-SLAT NO. 6 INBD LE (LH) (POST SB 767-57A0057) (FOR ADDITIONAL DETAILS SEE FIG. 1) | AX | RF |
| -1R | 015T1507-609 | | STRUCTURE ASSY-SLAT NO. 6 INBD LE (LH) (POST SB 767-57A0057) (FOR ADDITIONAL DETAILS SEE FIG. 1) | AY | RF |
| -1S | 015T1507-649 | | STRUCTURE ASSY-SLAT NO. 6 INBD LE (LH) (POST SB 767-57A0057) (FOR ADDITIONAL DETAILS SEE FIG. 1) | AZ | RF |
| -1T | 015T1507-611 | | STRUCTURE ASSY-SLAT NO. 6 INBD LE (LH) (POST SB 767-57A0057) (FOR ADDITIONAL DETAILS SEE FIG. 1) | BA | RF |
| -1U | 015T1507-651 | | STRUCTURE ASSY-SLAT NO. 6 INBD LE (LH) (POST SB 767-57A0057) (FOR ADDITIONAL DETAILS SEE FIG. 1) | BB | RF |

57-43-37

 ILLUSTRATED PARTS LIST
 01.1 Page 1076
 Jul 01/03

| FIG. & ITEM | PART NO. | AIRLINE PART NUMBER | NOMENCLATURE 1234567 | EFF CODE | QTY PER ASSY |
|-------------|--------------|---------------------|--|----------|--------------|
| 02- -1V | 015T1507-613 | | STRUCTURE ASSY-SLAT NO. 6 INBD LE (LH) (POST SB 767-57A0057) (FOR ADDITIONAL DETAILS SEE FIG. 1) | BC | RF |
| -1W | 015T1507-653 | | STRUCTURE ASSY-SLAT NO. 6 INBD LE (LH) (POST SB 767-57A0057) (FOR ADDITIONAL DETAILS SEE FIG. 1) | BD | RF |
| -1X | 015T1507-617 | | STRUCTURE ASSY-SLAT NO. 6 INBD LE (LH) (POST SB 767-57A0057) (FOR ADDITIONAL DETAILS SEE FIG. 1) | BE | RF |
| -1Y | 015T1507-619 | | STRUCTURE ASSY-SLAT NO. 6 INBD LE (LH) (POST SB 767-57A0057) (FOR ADDITIONAL DETAILS SEE FIG. 1) | BF | RF |
| -1Z | 015T1507-621 | | STRUCTURE ASSY-SLAT NO. 6 INBD LE (LH) (POST SB 767-57A0057) (FOR ADDITIONAL DETAILS SEE FIG. 1) | BG | RF |
| -2 | 015T1507-657 | | STRUCTURE ASSY-SLAT NO. 6 INBD LE (LH) (POST SB 767-57A0057) (FOR ADDITIONAL DETAILS SEE FIG. 1) | BH | RF |
| -2A | 015T1507-659 | | STRUCTURE ASSY-SLAT NO. 6 INBD LE (LH) (POST SB 767-57A0057) (FOR ADDITIONAL DETAILS SEE FIG. 1) | BJ | RF |
| -2B | 015T1507-661 | | STRUCTURE ASSY-SLAT NO. 6 INBD LE (LH) (POST SB 767-57A0057) (FOR ADDITIONAL DETAILS SEE FIG. 1) | BK | RF |
| -2C | 015T1507-625 | | STRUCTURE ASSY-SLAT NO. 6 INBD LE (LH) (POST SB 767-57A0057) (FOR ADDITIONAL DETAILS SEE FIG. 1) | BL | RF |

57-43-37

| FIG. & ITEM | PART NO. | AIRLINE PART NUMBER | NOMENCLATURE 1234567 | EFF CODE | QTY PER ASSY |
|-------------|--------------|---------------------|---|----------|--------------|
| 02- -2D | 015T1507-665 | | STRUCTURE ASSY-SLAT NO. 6 INBD LE (LH) (POST SB 767-57A0057) (FOR ADDITIONAL DETAILS SEE FIG. 1) | BM | RF |
| -2E | 015T1507-631 | | STRUCTURE ASSY-SLAT NO. 6 INBD LE (LH) (POST SB 767-57A0057) (FOR ADDITIONAL DETAILS SEE FIG. 1) | BN | RF |
| -2F | 015T1507-671 | | STRUCTURE ASSY-SLAT NO. 6 INBD LE (LH) (POST SB 767-57A0057) (FOR ADDITIONAL DETAILS SEE FIG. 1) | BP | RF |
| -2G | 015T1507-681 | | STRUCTURE ASSY-SLAT NO. 6 INBD LE (LH) (POST SB 767-57A0057) (FOR ADDITIONAL DETAILS SEE FIG. 1) | BQ | RF |
| -2H | 015T1507-685 | | STRUCTURE ASSY-SLAT NO. 6 INBD LE (LH) (POST SB 767-57A0057) (FOR ADDITIONAL DETAILS SEE FIG. 1) | BR | RF |
| -2J | 015T0165-11 | | SLAT ASSY-NO. 6 AND NO. 7 WING LE TOP KIT (LH) (PRE SB 767-57A0057R2) (FOR ADDITIONAL DETAILS SEE FIG. 1) | G | RF |
| -2K | 015T1507-683 | | STRUCTURE ASSY-SLAT NO. 6 INBD LE (LH) (POST SB 767-57A0057R2) (FOR ADDITIONAL DETAILS SEE FIG. 1) | H | RF |
| -2L | 015T1507-687 | | STRUCTURE ASSY-SLAT NO. 6 INBD LE (LH) (POST SB 767-57A0057R2) (FOR ADDITIONAL DETAILS SEE FIG. 1) | J | RF |

57-43-37

 ILLUSTRATED PARTS LIST
 01.1 Page 1076B
 Jul 01/03

015T0165
 015T1507
 114T3100
 DASH NUMBERS LIMITED

 **BOEING**
 COMPONENT
 MAINTENANCE MANUAL

| FIG. & ITEM | PART NO. | AIRLINE PART NUMBER | NOMENCLATURE 1234567 | EFF CODE | QTY PER ASSY |
|--------------|--------------|---------------------|---|----------|--------------|
| R 02- -2M | 114T3100-1A | | STRUCTURE ASSY-SLAT NO. 6 INBD LE (LH) (PRE SB 767-32-0107) (PRE SB 767-32-0095) (PRE SB 767-57A0057) (FOR ADDITIONAL DETAILS SEE FIG. 1) | A | RF |
| R -2N | 114T3100-1B | | STRUCTURE ASSY-SLAT NO. 6 INBD LE (LH) (FOR ADDITIONAL DETAILS SEE FIG. 1) | EU | RF |
| R -2P | 114T3100-1C | | STRUCTURE ASSY-SLAT NO. 6 INBD LE (LH) (FOR ADDITIONAL DETAILS SEE FIG. 1) | EV | RF |
| R -2Q | 114T3100-13A | | STRUCTURE ASSY-SLAT NO.6 INBD LE (LH) (POST SB 767-32-0107) (PRE SB 767-57A0057) (FOR ADDITIONAL DETAILS SEE FIG. 1) | C | RF |
| R -2R | 114T3100-13C | | STRUCTURE ASSY-SLAT NO.6 INBD LE (LH) (POST SB 767-32-0107) (PRE SB 767-57A0057) (FOR ADDITIONAL DETAILS SEE FIG. 1) | EW | RF |
| R -2S | 114T3100-21A | | STRUCTURE ASSY-SALT NO. 6 INBD LE (LH) (POST SB 767-32-0107) (PRE SB 767-57A0057) (FOR ADDITIONAL DETAILS SEE FIG. 1) | T | RF |
| R -2T | 114T3100-21B | | STRUCTURE ASSY-SALT NO. 6 INBD LE (LH) (FOR ADDITIONAL DETAILS SEE FIG. 1) | EX | RF |
| R -2U | 114T3100-21C | | STRUCTURE ASSY-SALT NO. 6 INBD LE (LH) (FOR ADDITIONAL DETAILS SEE FIG. 1) | EY | RF |

57-43-37

ILLUSTRATED PARTS LIST
 01.1 Page 1076C
 Jul 01/03

| FIG. & ITEM | PART NO. | AIRLINE PART NUMBER | NOMENCLATURE 1234567 | EFF CODE | QTY PER ASSY |
|-------------|--------------|---------------------|--|----------|--------------|
| 02-4 | 015T1507-658 | | STRUCTURE ASSY-SLAT NO. 7 INBD LE (RH) (POST SB 767-57A0057) (FOR ADDITIONAL DETAILS SEE FIG. 1) | CK | RF |
| -4A | 015T1507-660 | | STRUCTURE ASSY-SLAT NO. 7 INBD LE (RH) (POST SB 767-57A0057) (FOR ADDITIONAL DETAILS SEE FIG. 1) | CL | RF |
| -4B | 015T1507-662 | | STRUCTURE ASSY-SLAT NO. 7 INBD LE (RH) (POST SB 767-57A0057) (FOR ADDITIONAL DETAILS SEE FIG. 1) | CM | RF |
| -4C | 015T1507-626 | | STRUCTURE ASSY-SLAT NO. 7 INBD LE (RH) (POST SB 767-57A0057) (FOR ADDITIONAL DETAILS SEE FIG. 1) | CN | RF |
| -4D | 015T1507-666 | | STRUCTURE ASSY-SLAT NO. 7 INBD LE (RH) (POST SB 767-57A0057) (FOR ADDITIONAL DETAILS SEE FIG. 1) | CP | RF |
| -4E | 015T1507-632 | | STRUCTURE ASSY-SLAT NO. 7 INBD LE (RH) (POST SB 767-57A0057) (FOR ADDITIONAL DETAILS SEE FIG. 1) | CQ | RF |
| -4F | 015T1507-672 | | STRUCTURE ASSY-SLAT NO. 7 INBD LE (RH) (POST SB 767-57A0057) (FOR ADDITIONAL DETAILS SEE FIG. 1) | CR | RF |
| -4G | 015T1507-682 | | STRUCTURE ASSY-SLAT NO. 7 INBD LE (RH) (POST SB 767-57A0057) (FOR ADDITIONAL DETAILS SEE FIG. 1) | CS | RF |
| -4H | 015T1507-686 | | STRUCTURE ASSY-SLAT NO. 7 INBD LE (RH) (POST SB 767-57A0057) (FOR ADDITIONAL DETAILS SEE FIG. 1) | CT | RF |

57-43-37

 ILLUSTRATED PARTS LIST
 01.1 Page 1076D
 Jul 01/03

015T0165
 015T1507
 114T3100
 DASH NUMBERS LIMITED

 **BOEING**
 COMPONENT
 MAINTENANCE MANUAL

| FIG. & ITEM | PART NO. | AIRLINE PART NUMBER | NOMENCLATURE 1234567 | EFF CODE | QTY PER ASSY |
|-------------|------------------------------|---------------------|--|----------|--------------|
| 02- -4J | 015T0165-12 | | SLAT ASSY-NO. 6 AND NO. 7 WING LE TOP KIT (RH) (PRE SB 767-57A0057R2) (FOR ADDITIONAL DETAILS SEE FIG. 1) | Y | RF |
| -4K | 015T1507-684 | | STRUCTURE ASSY-SLAT NO. 7 INBD LE (RH) (POST SB 767-57A0057R2) (FOR ADDITIONAL DETAILS SEE FIG. 1) | AB | RF |
| -4L | 015T1507-688 | | STRUCTURE ASSY-SLAT NO. 7 INBD LE (RH) (POST SB 767-57A0057R2) (FOR ADDITIONAL DETAILS SEE FIG. 1) | AP | RF |
| -5 -5A | 114T3100-2SP 114T3100-12 | | DELETED STRUCTURE ASSY-SLAT NO. 7 INBD LE (VARIABLE) (RH) (PRE SB 767-57A0057) (FOR ADDITIONAL DETAILS SEE FIG. 1) | N | RF |
| -5B -5C | 114T3100-14SP 114T3100-16 | | DELETED STRUCTURE ASSY-SLAT NO. 7 INBD LE (VARIABLE) (RH) (PRE SB 767-57A0057) (FOR ADDITIONAL DETAILS SEE FIG. 1) | Q | RF |
| -5D -5E | 114T3100-22SP 114T3100-26 | | DELETED STRUCTURE ASSY-SLAT NO. 7 INBD LE (VARIABLE) (RH) (PRE SB 767-57A0057) (FOR ADDITIONAL DETAILS SEE FIG. 1) | L | RF |
| -5F | 114T3100-34 | | STRUCTURE ASSY-SLAT NO. 7 INBD LE (VARIABLE) (RH) (PRE SB 767-57A0057) (FOR ADDITIONAL DETAILS SEE FIG. 1) | AE | RF |
| -5G | 015T0165-10 | | SLAT ASSY-NO. 6 AND NO. 7 WING LE TOP KIT (RH) (POST SB 767-32-0095) (PRE SB 767-57A0057) (FOR ADDITIONAL DETAILS SEE FIG. 1) | AJ | RF |

57-43-37

ILLUSTRATED PARTS LIST
 01.1 Page 1076E
 Jul 01/03

| FIG. & ITEM | PART NO. | AIRLINE PART NUMBER | NOMENCLATURE 1234567 | EFF CODE | QTY PER ASSY |
|-------------|--------------|---------------------|--|----------|--------------|
| 02-5H | 015T1507-602 | | STRUCTURE ASSY-SLAT NO. 7 INBD LE (RH) (POST SB 767-57A0057) (FOR ADDITIONAL DETAILS SEE FIG. 1) | BS | RF |
| -5J | 015T1507-604 | | STRUCTURE ASSY-SLAT NO. 7 INBD LE (RH) (POST SB 767-57A0057) (FOR ADDITIONAL DETAILS SEE FIG. 1) | BT | RF |
| -5K | 015T1507-606 | | STRUCTURE ASSY-SLAT NO. 7 INBD LE (RH) (POST SB 767-57A0057) (FOR ADDITIONAL DETAILS SEE FIG. 1) | BU | RF |
| -5L | 015T1507-642 | | STRUCTURE ASSY-SLAT NO. 7 INBD LE (RH) (POST SB 767-57A0057) (FOR ADDITIONAL DETAILS SEE FIG. 1) | BV | RF |
| -5M | 015T1507-644 | | STRUCTURE ASSY-SLAT NO. 7 INBD LE (RH) (POST SB 767-57A0057) (FOR ADDITIONAL DETAILS SEE FIG. 1) | BW | RF |
| -5N | 015T1507-646 | | STRUCTURE ASSY-SLAT NO. 7 INBD LE (RH) (POST SB 767-57A0057) (FOR ADDITIONAL DETAILS SEE FIG. 1) | BX | RF |
| -5P | 015T1507-608 | | STRUCTURE ASSY-SLAT NO. 7 INBD LE (RH) (POST SB 767-57A0057) (FOR ADDITIONAL DETAILS SEE FIG. 1) | BY | RF |
| -5Q | 015T1507-648 | | STRUCTURE ASSY-SLAT NO. 7 INBD LE (RH) (POST SB 767-57A0057) (FOR ADDITIONAL DETAILS SEE FIG. 1) | BZ | RF |
| -5R | 015T1507-610 | | STRUCTURE ASSY-SLAT NO. 7 INBD LE (RH) (POST SB 767-57A0057) (FOR ADDITIONAL DETAILS SEE FIG. 1) | CA | RF |

57-43-37

 ILLUSTRATED PARTS LIST
 01.1 Page 1076F
 Jul 01/03

| FIG. & ITEM | PART NO. | AIRLINE PART NUMBER | NOMENCLATURE 1234567 | EFF CODE | QTY PER ASSY |
|-------------|---------------|---------------------|--|----------|--------------|
| 02- -5S | 015T1507-650 | | STRUCTURE ASSY-SLAT NO. 7 INBD LE (RH) (POST SB 767-57A0057) (FOR ADDITIONAL DETAILS SEE FIG. 1) | CB | RF |
| -5T | 015T1507-612 | | STRUCTURE ASSY-SLAT NO. 7 INBD LE (RH) (POST SB 767-57A0057) (FOR ADDITIONAL DETAILS SEE FIG. 1) | CC | RF |
| -5U | 015T1507-652 | | STRUCTURE ASSY-SLAT NO. 7 INBD LE (RH) (POST SB 767-57A0057) (FOR ADDITIONAL DETAILS SEE FIG. 1) | CD | RF |
| -5V | 015T1507-614 | | STRUCTURE ASSY-SLAT NO. 7 INBD LE (RH) (POST SB 767-57A0057) (FOR ADDITIONAL DETAILS SEE FIG. 1) | CE | RF |
| -5W | 015T1507-654 | | STRUCTURE ASSY-SLAT NO. 7 INBD LE (RH) (POST SB 767-57A0057) (FOR ADDITIONAL DETAILS SEE FIG. 1) | CF | RF |
| -5X | 015T1507-618 | | STRUCTURE ASSY-SLAT NO. 7 INBD LE (RH) (POST SB 767-57A0057) (FOR ADDITIONAL DETAILS SEE FIG. 1) | CG | RF |
| -5Y | 015T1507-620 | | STRUCTURE ASSY-SLAT NO. 7 INBD LE (RH) (POST SB 767-57A0057) (FOR ADDITIONAL DETAILS SEE FIG. 1) | CH | RF |
| -5Z | 015T1507-622 | | STRUCTURE ASSY-SLAT NO. 7 INBD LE (RH) (POST SB 767-57A0057) (FOR ADDITIONAL DETAILS SEE FIG. 1) | CJ | RF |
| -6 | 114T3100-5001 | | DELETED | | |
| -6A | 114T3100-5003 | | DELETED | | |
| -6B | 114T3100-5005 | | DELETED | | |
| -6C | 114T3100-5007 | | DELETED | | |

57-43-37

ILLUSTRATED PARTS LIST
 01.1 Page 1076G
 Jul 01/03

| FIG. & ITEM | PART NO. | AIRLINE PART NUMBER | NOMENCLATURE 1234567 | EFF CODE | QTY PER ASSY |
|-------------|--------------|---------------------|---|----------|--------------|
| R 02-6D | 114T3100-2A | | STRUCTURE ASSY-SLAT NO. 7 INBD LE (RH) (PRE SB 767-32-0107) (PRE SB 767-32-0095) (PRE SB 767-57A0057) (FOR ADDITIONAL DETAILS SEE FIG. 1) | B | RF |
| R -6E | 114T3100-2B | | STRUCTURE ASSY-SLAT NO. 7 INBD LE (RH) (FOR ADDITIONAL DETAILS SEE FIG. 1) | EZ | RF |
| R -6F | 114T3100-2C | | STRUCTURE ASSY-SLAT NO. 7 INBD LE (RH) (FOR ADDITIONAL DETAILS SEE FIG. 1) | FA | RF |
| R -6G | 114T3100-14A | | STRUCTURE ASSY-SLAT NO. 7 INBD LE (RH) (POST SB 767-32-0107) (PRE SB 767-57A0057) (FOR ADDITIONAL DETAILS SEE FIG. 1) | D | RF |
| R -6H | 114T3100-14C | | STRUCTURE ASSY-SLAT NO. 7 INBD LE (RH) (FOR ADDITIONAL DETAILS SEE FIG. 1) | FB | RF |
| R -6J | 114T3100-22A | | STRUCTURE ASSY-SLAT NO. 7 INBD LE (RH) (POST SB 767-32-0107) (PRE SB 767-57A0057) (FOR ADDITIONAL DETAILS SEE FIG. 1) | U | RF |
| R -6K | 114T3100-22B | | STRUCTURE ASSY-SLAT NO. 7 INBD LE (RH) (FOR ADDITIONAL DETAILS SEE FIG. 1) | FC | RF |
| R -6L | 114T3100-22C | | STRUCTURE ASSY-SLAT NO. 7 INBD LE (RH) (FOR ADDITIONAL DETAILS SEE FIG. 1) | FD | RF |

57-43-37

 ILLUSTRATED PARTS LIST
 01.1 Page 1076H
 Jul 01/03

| FIG. & ITEM | PART NO. | AIRLINE PART NUMBER | NOMENCLATURE 1234567 | EFF CODE | QTY PER ASSY |
|-------------|---------------|---------------------|---|---|--------------|
| 02- -7 | 114T3100-5009 | | .STRUCTURE ASSY | C,A Y-BB, EW | 1 |
| -7A | 114T3100-5011 | | .STRUCTURE ASSY | K,P,T ,AD,B C-BP, EX,EY | 1 |
| R -7B | 114T3100-5001 | | .STRUCTURE ASSY- (REPLD BY ITEM 6A) | A,G-J ,M,AH ,AQ-A X,BQ, BR,EU EV,EU | 1 |
| R -7C | 114T3100-5003 | | .STRUCTURE ASSY- (REPLS ITEM 6) (REPLD BY ITEM 6B) | A,M,A Q-AX, EU,EV | 1 |
| R -7D | 114T3100-5005 | | .STRUCTURE ASSY- (REPLS ITEM 6A) (REPLD BY ITEM 6C) | A,M,A Q-AX, EU,EV | 1 |
| R -7E | 114T3100-5007 | | .STRUCTURE ASSY- (REPLS ITEM 6B) | A,G-J ,M,AH ,AQ-A X,BQ, BR,EU EV,EU | 1 |
| -8 | 114T3100-5002 | | .STRUCTURE ASSY- (REPLD BY ITEM 8A) | B,N,Y ,AB,A J,AP, BS-BZ ,CS CT,EZ ,FA | 1 |
| -8A | 114T3100-5004 | | .STRUCTURE ASSY- (REPLS ITEM 8) (REPLD BY ITEM 8B) | B,N,B S-BZ, EZ,FA | 1 |
| -8B | 114T3100-5006 | | .STRUCTURE ASSY- (REPLS ITEM 8A) (REPLD BY ITEM 8C) | B,N,B S-BZ, EZ,FA | 1 |
| -8C | 114T3100-5008 | | .STRUCTURE ASSY- (REPLS ITEM 8B) | B,N,Y ,AB,A J,AP, BS-BZ ,CS CT,EZ ,FA | 1 |

57-43-37

| FIG. & ITEM | PART NO. | AIRLINE PART NUMBER | NOMENCLATURE 1234567 | EFF CODE | QTY PER ASSY |
|-------------|---------------|---------------------|---------------------------|---|--------------|
| 02- -9 | 114T3100-5010 | | .STRUCTURE ASSY | D,C A-CD, FB | 1 |
| -9A | 114T3100-5012 | | .STRUCTURE ASSY | L,Q,U ,AE,C E-CR, FC,FD | 1 |
| 10 | 114T3148-1 | | ..RIB ASSY-MAIN SPRT | A,C, G-K,M ,P,T, AD,AH ,AQ-B R EU-EY | 1 |
| -15 | 114T3148-2 | | ..RIB ASSY-MAIN SPRT | B,D,L ,N,Q, U,Y,A B,AE, AJ,AP BS-CT ,EZ- FD | 1 |
| 20 | BACB30NU3K3 | | ATTACHING PARTS ..BOLT | A-D, G-Q,T ,U,Y, AB,AD ,AE,A H AJ,A P-CT, EY-FD | 4 |

57-43-37

 ILLUSTRATED PARTS LIST
 01.1 Page 1076J
 Jul 01/03

| FIG. & ITEM | PART NO. | AIRLINE PART NUMBER | NOMENCLATURE 1234567 | EFF CODE | QTY PER ASSY |
|-------------|------------|---------------------|--|---|--------------|
| 02-25 | HL82-6APBW | | ..COLLAR- (V73197) (SPEC BACC30AG6) (OPT HL82-6APBW (V92215)) (OPT HL82-6APBW (V56878)) (OPT HL82-6APBW (V5M902)) (OPT ITEM 35 USED WITH ITEM 30) | A-D, G-Q,T ,U,Y, AB,AD ,AE,A H AJ,A P-CT, EU-FD | 4 |
| 30 | AS46-3 | | ..WASHER- (V10630) (SPEC BACW10AU3) (OPT K19701P3 (V15653)) (OPT 53488W1032 (V56878)) (OPT 6073-0 (V72962)) (OPT TLN1020L3W (V08524)) (USED WITH ITEM 35) | A-D, G-Q,T ,U,Y, AB,AD ,AE,A H AJ,A P-CT, EU-FD | 4 |
| 35 | H19700P3 | | ..NUT- (V15653) (SPEC BACN10MT3) (OPT TLN1020-3N (V08524)) (OPT 52LH6073-02 (V72962)) (OPT 53488-1032 (V56878)) (OPT ITEM 25) (USED WITH ITEM 30) | A-D, G-Q,T ,U,Y, AB,AD ,AE,A H AJ,A P-CT, EU-FD | 4 |

57-43-37

| FIG. & ITEM | PART NO. | AIRLINE PART NUMBER | NOMENCLATURE 1234567 | EFF CODE | QTY PER ASSY |
|-------------|-------------|---------------------|---|---|--------------|
| 02-40 | BACB30NW6K | | ..BOLT- (SIZE DETERMINE ON INST) | A-D, G-Q,T ,U,Y, AB,AD ,AE,A H AJ,A P-CT, EU-FD | 2 |
| 50 | HL82-6APBW | | ..COLLAR- (V73197) (SPEC BACC30AG6) (OPT HL82-6APBW (V92215)) (OPT HL82-6APBW (V56878)) (OPT HL82-6APBW (V5M902)) | A-D, G-Q,T ,U,Y, AB,AD ,AE,A H AJ,A P-CT, EU-FD | 2 |
| 55 | BACR15CE5KE | | ..RIVET- (SIZE DETERMINE ON INST) | A-D, G-Q,T ,U,Y, AB,AD ,AE,A H AJ,A P-CT, EU-FD | 22 |
| 60 | BACR15CE6KE | | ..RIVET- (SIZE DETERMINE ON INST) -----*----- | A-D, G-Q,T ,U,Y, AB,AD ,AE,A H AJ,A P-CT, EU-FD | 2 |

57-43-37

 ILLUSTRATED PARTS LIST
 01.1 Page 1076L
 Jul 01/03

| FIG. & ITEM | PART NO. | AIRLINE PART NUMBER | NOMENCLATURE 1234567 | EFF CODE | QTY PER ASSY |
|-------------|-------------|---------------------|---|---|--------------|
| 02-65 | ADB08V301NC | | ...BEARING- (V15860) (SPEC BACB10FB08GC) (OPT HTFB08GC (VS0352)) (OPT KNDB08-70 (V97613)) (OPT KSC145700BZ08GC (V50632)) (OPT NES08FBGC (V73134)) | A-D, G-Q,T ,U,Y, AB,AD ,AE,A H AJ,A P-CT, EU-FD | 1 |
| 70 | BACR15BA3AD | | ...RIVET- (SIZE DETERMINE ON INST) | A-D, G-Q,T ,U,Y, AB,AD ,AE,A H AJ,A P-CT, EU-FD | 36 |
| 75 | BACN10JQ32 | | ...NUTPLATE | A-D, G-Q,T ,U,Y, AB,AD ,AE,A H AJ,A P-CT, EU-FD | 6 |
| 80 | NS103225-02 | | ...NUTPLATE- (V80539) (SPEC BACN10KH3) (OPT RMF9209M3 (V72962)) (OPT RMF9209M3 (V72962)) | A-D, G-Q,T ,U,Y, AB,AD ,AE,A H AJ,A P-CT, EU-FD | 12 |

57-43-37

| FIG. & ITEM | PART NO. | AIRLINE PART NUMBER | NOMENCLATURE 1234567 | EFF CODE | QTY PER ASSY |
|-------------|--------------|---------------------|-------------------------|---|--------------|
| 02-85 | NAS1195DD3KM | | ...SHIM | A-D, G-Q,T ,U,Y, AB,AD ,AE,A H AJ,A P-CT, EU-FD | 11 |
| 90 | 114T3148-3 | | ...RIB | A,C, G-K,M ,P,T, AD,AH ,AQ-B R EU-EY | 1 |
| -95 | 114T3148-4 | | ...RIB | B,D,L ,N,Q, U,Y,A B,AE, AJ,AP BS-CT ,EZ- FD | 1 |
| 100 | 114T3141-1 | | ..RIB ASSY-MAIN SPRT | A,C, G-K,M ,P,T, AD,AH ,AQ-B R EU-EY | 1 |

57-43-37

ILLUSTRATED PARTS LIST
 01.1 Page 1076N
 Jul 01/03

| FIG. & ITEM | PART NO. | AIRLINE PART NUMBER | NOMENCLATURE 1234567 | EFF CODE | QTY PER ASSY |
|-------------|-------------|---------------------|---|---|--------------|
| 02- -105 | 114T3141-2 | | ..RIB ASSY-MAIN SPRT | B,D,L ,N,Q, U,Y,A B,AE, AJ,AP BS-CT ,EZ- FD | 1 |
| 110 | BACB30NU3K3 | | ATTACHING PARTS ..BOLT | A-D, G-Q,T ,U,Y, AB,AD ,AE,A H AJ,A P-CT, EU-FD | 4 |
| 115 | HL82-6APBW | | ..COLLAR- (V73197) (SPEC BACC30AG6) (OPT HL82-6APBW (V92215)) (OPT HL82-6APBW (V56878)) (OPT HL82-6APBW (V5M902)) (OPT ITEM 125 USED WITH ITEM 120) | A-D, G-Q,T ,U,Y, AB,AD ,AE,A H AJ,A P-CT, EU-FD | 4 |

57-43-37

| FIG. & ITEM | PART NO. | AIRLINE PART NUMBER | NOMENCLATURE 1234567 | EFF CODE | QTY PER ASSY |
|----------------|---------------------|---------------------|--|---|--------------|
| 02-120 120A | BACN10AU3 AS46-3 | | DELETED ..WASHER- (V10630) (SPEC BACW10AU3) (OPT K19701P3 (V15653)) (OPT 53488W1032 (V56878)) (OPT 6073-0 (V72962)) (OPT TLN1020L3W (V08524)) (USED WITH ITEM 125) | A-D, G-Q,T ,U,Y, AB,AD ,AE,A H AJ,A P-CT, EU-FD | 4 |
| 125 | H19700P3 | | ..NUT- (V15653) (SPEC BACN10MT3) (OPT TLN1020-3N (V08524)) (OPT 52LH6073-02 (V72962)) (OPT 53488-1032 (V56878)) (OPT ITEM 115) (USED WITH ITEM 120A) | A-D, G-Q,T ,U,Y, AB,AD ,AE,A H AJ,A P-CT, EU-FD | 4 |
| 130 | BACB30NW6K | | ..BOLT- (SIZE DETERMINE ON INST) | A-D, G-Q,T ,U,Y, AB,AD ,AE,A H AJ,A P-CT, EU-FD | 2 |
| 135 | HL82-6APBW | | ..COLLAR- (V73197) (SPEC BACC30AG6) (OPT HL82-6APBW (V92215)) (OPT HL82-6APBW (V56878)) (OPT HL82-6APBW (V5M902)) | A-D, G-Q,T ,U,Y, AB,AD ,AE,A H AJ,A P-CT, EU-FD | 2 |

57-43-37

 ILLUSTRATED PARTS LIST
 01.1 Page 1076P
 Jul 01/03

| FIG. & ITEM | PART NO. | AIRLINE PART NUMBER | NOMENCLATURE 1234567 | EFF CODE | QTY PER ASSY |
|-------------|-------------|---------------------|---|---|--------------|
| 02-140 | BACR15CE5KE | | ..RIVET- (SIZE DETERMINE ON INST) | A-D, G-Q,T ,U,Y, AB,AD ,AE,A H AJ,A P-CT, EU-FD | 18 |
| 145 | BACR15CE6KE | | ..RIVET- (SIZE DETERMINE ON INST) -----*----- | A-D, G-Q,T ,U,Y, AB,AD ,AE,A H AJ,A P-CT, EU-FD | 8 |
| 147 | ADB08V301NC | | ...BEARING- (V15860) (SPEC BACB10FB08GC) (OPT HTFB08GC (VS0352)) (OPT KNDB08-70 (V97613)) (OPT KSC145700BZ08GC (V50632)) (OPT NES08FBGC (V73134)) | A-D, G-Q,T ,U,Y, AB,AD ,AE,A H AJ,A P-CT, EU-FD | 1 |

57-43-37

| FIG. & ITEM | PART NO. | AIRLINE PART NUMBER | NOMENCLATURE 1234567 | EFF CODE | QTY PER ASSY |
|-------------|--------------|---------------------|--|---|--------------|
| 02-150 | BACR15BA3AD | | ...RIVET- (SIZE DETERMINE ON INST) | A-D, G-Q,T ,U,Y, AB,AD ,AE,A H AJ,A P-CT, EU-FD | 44 |
| 155 | BACN10JQ32 | | ...NUTPLATE | A-D, G-Q,T ,U,Y, AB,AD ,AE,A H AJ,A P-CT, EU-FD | 8 |
| 160 | NS103225-02 | | ...NUTPLATE- (V80539) (SPEC BACN10KH3) (OPT RMF9209M3 (V72962)) (OPT RMF9209M3 (V72962)) | A-D, G-Q,T ,U,Y, AB,AD ,AE,A H AJ,A P-CT, EU-FD | 14 |
| 165 | NAS1195DD3KM | | ...SHIM | A-D, G-Q,T ,U,Y, AB,AD ,AE,A H AJ,A P-CT, EU-FD | 6 |

57-43-37

| FIG. & ITEM | PART NO. | AIRLINE PART NUMBER | NOMENCLATURE 1234567 | EFF CODE | QTY PER ASSY |
|-------------|-------------|---------------------|---------------------------|---|--------------|
| 02-170 | 114T3141-3 | | ...RIB | A,C, G-K,M ,P,T, AD,AH ,AQ-B R EU-EY | 1 |
| -175 | 114T3141-4 | | ...RIB | B,D,L ,N,Q, U,Y,A B,AE, AJ,AP BS-CT ,EZ- FD | 1 |
| 180 | 114T3134-1 | | ..RIB ASSY-MAIN SPRT | A,C, G-K,M ,P,T, AD,AH ,AQ-B R EU-EY | 1 |
| -185 | 114T3134-2 | | ..RIB ASSY-MAIN SPRT | B,D,L ,N,Q, U,Y,A B,AE, AJ,AP BS-CT ,EZ- FD | 1 |
| 190 | BACB30NU3K3 | | ATTACHING PARTS ..BOLT | A-D, G-Q,T ,U,Y, AB,AD ,AE,A H AJ,A P-CT, EU-FD | 6 |

57-43-37

| FIG. & ITEM | PART NO. | AIRLINE PART NUMBER | NOMENCLATURE 1234567 | EFF CODE | QTY PER ASSY |
|-------------|------------|---------------------|---|---|--------------|
| 02-195 | HL82-6APBW | | ..COLLAR- (V73197) (SPEC BACC30AG6) (OPT HL82-6APBW (V92215)) (OPT HL82-6APBW (V56878)) (OPT HL82-6APBW (V5M902)) (OPT ITEM 205 USED WITH ITEM 200) | A-D, G-Q,T ,U,Y, AB,AD ,AE,A H AJ,A P-CT, EU-FD | 6 |
| 200 | AS46-3 | | ..WASHER- (V10630) (SPEC BACW10AU3) (OPT K19701P3 (V15653)) (OPT 53488W1032 (V56878)) (OPT 6073-0 (V72962)) (OPT TLN1020L3W (V08524)) (USED WITH ITEM 205) | A-D, G-Q,T ,U,Y, AB,AD ,AE,A H AJ,A P-CT, EU-FD | 6 |
| 205 | H19700P3 | | ..NUT- (V15653) (SPEC BACN10MT3) (OPT TLN1020-3N (V08524)) (OPT 52LH6073-02 (V72962)) (OPT 53488-1032 (V56878)) (OPT ITEM 195) (USED WITH ITEM 200) | A-D, G-Q,T ,U,Y, AB,AD ,AE,A H AJ,A P-CT, EU-FD | 6 |
| 210 | BACB30NW6K | | ..BOLT- (SIZE DETERMINE ON INST) | A-D, G-Q,T ,U,Y, AB,AD ,AE,A H AJ,A P-CT, EU-FD | 2 |

57-43-37

ILLUSTRATED PARTS LIST
01.1 Page 1076T
Jul 01/03

| FIG. & ITEM | PART NO. | AIRLINE PART NUMBER | NOMENCLATURE 1234567 | EFF CODE | QTY PER ASSY |
|-------------|-------------|---------------------|---|---|--------------|
| 02-215 | HL82-6APBW | | ..COLLAR- (V73197) (SPEC BACC30AG6) (OPT HL82-6APBW (V92215)) (OPT HL82-6APBW (V56878)) (OPT HL82-6APBW (V5M902)) | A-D, G-Q,T ,U,Y, AB,AD ,AE,A H AJ,A P-CT, EU-FD | 2 |
| 220 | BACR15CE5KE | | ..RIVET- (SIZE DETERMINE ON INST) | A-D, G-Q,T ,U,Y, AB,AD ,AE,A H AJ,A P-CT, EU-FD | 18 |
| 225 | BACR15CE6KE | | ..RIVET- (SIZE DETERMINE ON INST) -----*----- | A-D, G-Q,T ,U,Y, AB,AD ,AE,A H AJ,A P-CT, EU-FD | 10 |
| 230 | 114T3152-1 | | ...NUT-EXTERNAL | A-D, G-Q,T ,U,Y, AB,AD ,AE,A H AJ,A P-CT, EU-FD | 1 |

57-43-37

| FIG. & ITEM | PART NO. | AIRLINE PART NUMBER | NOMENCLATURE 1234567 | EFF CODE | QTY PER ASSY |
|-------------|------------|---------------------|---|---|--------------|
| 02-235 | 114T3154-1 | | ...WASHER-LOCK | A-D, G-Q,T U,Y, AB,AD AE,A H AJ,A P-CT, EU-FD | 1 |
| 240 | 114T3155-1 | | ...BEARING ASSY | A-D, G-Q,T U,Y, AB,AD AE,A H AJ,A P-CT, EU-FD | 1 |
| 245 | 114T3153-1 | |NUT-INTERNAL | A-D, G-Q,T U,Y, AB,AD AE,A H AJ,A P-CT, EU-FD | 1 |
| 250 | ABWEN08 | |BEARING- (V23589) (SPEC BACB10EN08) (OPT AG8-29 (V15860)) | A-D, G-Q,T U,Y, AB,AD AE,A H AJ,A P-CT, EU-FD | 1 |

57-43-37

| FIG. & ITEM | PART NO. | AIRLINE PART NUMBER | NOMENCLATURE 1234567 | EFF CODE | QTY PER ASSY |
|-------------|-------------|---------------------|---|---|--------------|
| 02-255 | 114T3151-1 | |HOUSING-FLANGED | A-D, G-Q,T U,Y, AB,AD AE,A H AJ,A P-CT, EU-FD | 1 |
| 260 | BACR15BA3AD | | ...RIVET- (SIZE DETERMINE ON INST) | A-D, G-Q,T U,Y, AB,AD AE,A H AJ,A P-CT, EU-FD | 60 |
| 265 | BACN10JQ32 | | ...NUTPLATE | A-D, G-Q,T U,Y, AB,AD AE,A H AJ,A P-CT, EU-FD | 6 |
| 270 | BRFM20A3 | | ...NUTPLATE- (V52828) (SPEC BACN10JN3) (OPT MF1000-3BAC (V15653)) (OPT NS103218-02 (V80539)) (OPT RMF9201M3 (V72962)) (OPT VN252A02 (V92215)) (OPT MF1000-3BAC (V15653)) (OPT MF53049-3 (V15653)) | A-D, G-Q,T U,Y, AB,AD AE,A H AJ,A P-CT, EU-FD | 4 |

57-43-37

| FIG. & ITEM | PART NO. | AIRLINE PART NUMBER | NOMENCLATURE 1234567 | EFF CODE | QTY PER ASSY |
|-------------|--------------|---------------------|--|---|--------------|
| 02-275 | NS103225-02 | | ...NUTPLATE- (V80539) (SPEC BACN10KH3) (OPT RMF9209M3 (V72962)) (OPT RMF9209M3 (V72962)) | A-D, G-Q,T ,U,Y, AB,AD ,AE,A H AJ,A P-CT, EU-FD | 20 |
| 280 | NAS1195DD3KM | | ...SHIM | A-D, G-Q,T ,U,Y, AB,AD ,AE,A H AJ,A P-CT, EU-FD | 6 |
| 285 | 114T3134-3 | | ...RIB | A,C, G-K,M ,P,T, AD,AH ,AQ-B R EU-EY | 1 |
| -290 | 114T3134-4 | | ...RIB | B,D,L ,N,Q, U,Y,A B,AE, AJ,AP BS-CT ,EZ- FD | 1 |

57-43-37

ILLUSTRATED PARTS LIST
01.1 Page 1076X
Jul 01/03

| FIG. & ITEM | PART NO. | AIRLINE PART NUMBER | NOMENCLATURE 1234567 | EFF CODE | QTY PER ASSY |
|-------------|-------------|---------------------|---|---|--------------|
| 02-295 | 114T3146-1 | | ..RIB ASSY-ACTR | A,C, G-K,M ,P,T, AD,AH ,AQ-B R EU-EY | 1 |
| -300 | 114T3146-2 | | ..RIB ASSY-ACTR | B,D,L ,N,Q, U,Y,A B,AE, AJ,AP BS-CT ,EZ- FD | 1 |
| 305 | BACB30NU3K3 | | ATTACHING PARTS ..BOLT | A-D, G-Q,T ,U,Y, AB,AD ,AE,A H AJ,A P-CT, EU-FD | 4 |
| 310 | HL82-6APBW | | ..COLLAR- (V73197) (SPEC BACC30AG6) (OPT HL82-6APBW (V92215)) (OPT HL82-6APBW (V56878)) (OPT HL82-6APBW (V5M902)) (OPT ITEM 320 USED WITH ITEM 315) | A-D, G-Q,T ,U,Y, AB,AD ,AE,A H AJ,A P-CT, EU-FD | 4 |

57-43-37

| FIG. & ITEM | PART NO. | AIRLINE PART NUMBER | NOMENCLATURE 1234567 | EFF CODE | QTY PER ASSY |
|-------------|---------------------------|---------------------|--|---|--------------|
| 02-315 | AS46-3 | | ..WASHER- (V10630) (SPEC BACW10AU3) (OPT K19701P3 (V15653)) (OPT 53488W1032 (V56878)) (OPT 6073-0 (V72962)) (OPT TLN1020L3W (V08524)) (USED WITH 320) | A-D, G-Q,T ,U,Y, AB,AD ,AE,A H AJ,A P-CT, EU-FD | 4 |
| 320 | H19700P3 | | ..NUT- (V15653) (SPEC BACN10MT3) (OPT TLN1020-3N (V08524)) (OPT 52LH6073-02 (V72962)) (OPT 53488-1032 (V56878)) (OPT ITEM 310) (USED WITH ITEM 315) | A-D, G-Q,T ,U,Y, AB,AD ,AE,A H AJ,A P-CT, EU-FD | 4 |
| 325 325A | BACB030NW6K BACB30NW6K | | DELETED ..BOLT- (SIZE DETERMINE ON INST) | A-D, G-Q,T ,U,Y, AB,AD ,AE,A H AJ,A P-CT, EU-FD | 2 |
| 330 | HL82-6APBW | | ..COLLAR- (V73197) (SPEC BACC30AG6) (OPT HL82-6APBW (V92215)) (OPT HL82-6APBW (V56878)) (OPT HL82-6APBW (V5M902)) | A-D, G-Q,T ,U,Y, AB,AD ,AE,A H AJ,A P-CT, EU-FD | 2 |

57-43-37

 ILLUSTRATED PARTS LIST
 01.1 Page 10762
 Jul 01/03

| FIG. & ITEM | PART NO. | AIRLINE PART NUMBER | NOMENCLATURE 1234567 | EFF CODE | QTY PER ASSY |
|-------------|-------------|---------------------|---|---|--------------|
| 02-335 | BACR15CE5KE | | ..RIVET- (SIZE DETERMINE ON INST) | A-D, G-Q,T ,U,Y, AB,AD ,AE,A H AJ,A P-CT, EU-FD | 20 |
| 340 | BACR15CE6KE | | ..RIVET- (SIZE DETERMINE ON INST) -----*----- | A-D, G-Q,T ,U,Y, AB,AD ,AE,A H AJ,A P-CT, EU-FD | 4 |
| 345 | ADB07V301NC | | ...BEARING- (V15860) (SPEC BACB10FB07GC) (OPT KSC145700BZ07GC (V50632)) (OPT NES07FBG (V73134)) (OPT HTFB07V (VS0352)) (OPT KNDB07-62 (V97613)) | A-D, G-Q,T ,U,Y, AB,AD ,AE,A H AJ,A P-CT, EU-FD | 1 |

57-43-37

| FIG. & ITEM | PART NO. | AIRLINE PART NUMBER | NOMENCLATURE 1234567 | EFF CODE | QTY PER ASSY |
|-------------|-------------|---------------------|---|---|--------------|
| 02-350 | BACR15BA3AD | | ...RIVET- (SIZE DETERMINE ON INST) | A-D, G-Q,T ,U,Y, AB,AD ,AE,A H AJ,A P-CT, EU-FD | 32 |
| 355 | BRFM20A3 | | ...NUTPLATE- (V52828) (SPEC BACN10JN3) (OPT MF1000-3BAC (V15653)) (OPT NS103218-02 (V80539)) (OPT RMF9201M3 (V72962)) (OPT VN252A02 (V92215)) (OPT MF1000-3BAC (V15653)) (OPT MF53049-3 (V15653)) | A-D, G-Q,T ,U,Y, AB,AD ,AE,A H AJ,A P-CT, EU-FD | 8 |
| 360 | NS103225-02 | | ...NUTPLATE- (V80539) (SPEC BACN10KH3) (OPT RMF9209M3 (V72962)) (OPT RMF9209M3 (V72962)) | A-D, G-Q,T ,U,Y, AB,AD ,AE,A H AJ,A P-CT, EU-FD | 8 |

57-43-37

 ILLUSTRATED PARTS LIST
 01.1 Page 1078
 Jul 01/03

| FIG. & ITEM | PART NO. | AIRLINE PART NUMBER | NOMENCLATURE 1234567 | EFF CODE | QTY PER ASSY |
|-------------|------------|---------------------|--|---|--------------|
| 02-365 | 114T3146-3 | | ...RIB | A,C, G-K,M ,P,T, AD,AH ,AQ-B R EU-EY | 1 |
| -370 | 114T3146-4 | | ...RIB | B,D,L ,N,Q, U,Y,A B,AE, AJ,AP BS-CT ,EZ- FD | 1 |
| 375 | 114T3136-1 | | ..RIB ASSY-ACTR | A,C, G-K,M ,P,T, AD,AH ,AQ-B R EU-EY | 1 |
| -380 | 114T3136-2 | | ..RIB ASSY-ACTR | B,D,L ,N,Q, U,Y,A B,AE, AJ,AP BS-CT ,EZ- FD | 1 |
| 385 | BACB30NW6K | | ATTACHING PARTS ..BOLT- (SIZE DETERMINE ON INST) | A-D, G-Q,T ,U,Y, AB,AD ,AE,A H AJ,A P-CT, EU-FD | 2 |

57-43-37

| FIG. & ITEM | PART NO. | AIRLINE PART NUMBER | NOMENCLATURE 1234567 | EFF CODE | QTY PER ASSY |
|-------------|-------------|---------------------|---|---|--------------|
| 02-390 | HL82-6APBW | | ..COLLAR- (V73197) (SPEC BACC30AG6) (OPT HL82-6APBW (V92215)) (OPT HL82-6APBW (V56878)) (OPT HL82-6APBW (V5M902)) | A-D, G-Q,T ,U,Y, AB,AD ,AE,A H AJ,A P-CT, EU-FD | 2 |
| 395 | BACR15CE5KE | | ..RIVET- (SIZE DETERMINE ON INST) | A-D, G-Q,T ,U,Y, AB,AD ,AE,A H AJ,A P-CT, EU-FD | 32 |
| 400 | BACR15CE6KE | | ..RIVET- (SIZE DETERMINE ON INST) -----*----- | A-D, G-Q,T ,U,Y, AB,AD ,AE,A H AJ,A P-CT, EU-FD | 2 |
| 405 | ADB07V301NC | | ...BEARING- (V15860) (SPEC BACB10FB07GC) (OPT KSC145700BZ07GC (V50632)) (OPT NES07FBG (V73134)) (OPT HTFB07V (VS0352)) (OPT KNDB07-62 (V97613)) | A-D, G-Q,T ,U,Y, AB,AD ,AE,A H AJ,A P-CT, EU-FD | 1 |

57-43-37

ILLUSTRATED PARTS LIST
01.1 Page 1078B
Jul 01/03

| FIG. & ITEM | PART NO. | AIRLINE PART NUMBER | NOMENCLATURE 1234567 | EFF CODE | QTY PER ASSY |
|-------------|-------------|---------------------|---|---|--------------|
| 02-410 | BACR15BA3AD | | ...RIVET- (SIZE DETERMINE ON INST) | A-D, G-Q,T ,U,Y, AB,AD ,AE,A H AJ,A P-CT, EU-FD | 52 |
| 415 | BRFM20A3 | | ...NUTPLATE- (V52828) (SPEC BACN10JN3) (OPT MF1000-3BAC (V15653)) (OPT NS103218-02 (V80539)) (OPT RMF9201M3 (V72962)) (OPT VN252A02 (V92215)) (OPT MF1000-3BAC (V15653)) (OPT MF53049-3 (V15653)) | A-D, G-Q,T ,U,Y, AB,AD ,AE,A H AJ,A P-CT, EU-FD | 8 |
| 420 | NS103225-02 | | ...NUTPLATE- (V80539) (SPEC BACN10KH3) (OPT RMF9209M3 (V72962)) (OPT RMF9209M3 (V72962)) | A-D, G-Q,T ,U,Y, AB,AD ,AE,A H AJ,A P-CT, EU-FD | 18 |

57-43-37

| FIG. & ITEM | PART NO. | AIRLINE PART NUMBER | NOMENCLATURE 1234567 | EFF CODE | QTY PER ASSY |
|-------------|--------------|---------------------|-------------------------|---|--------------|
| 02-425 | NAS1195DD3KM | | ...SHIM | A-D, G-Q,T U,Y, AB,AD AE,A H AJ,A P-CT, EU-FD | 2 |
| 430 | 114T3136-3 | | ...RIB | A,C, G-K,M P,T, AD,AH AQ-B R EU-EY | 1 |
| -435 | 114T3136-4 | | ...RIB | B,D,L N,Q, U,Y,A B,AE, AJ,AP BS-CT EZ- FD | 1 |
| -440 | 114T3149-1 | | ..RIB ASSY-AIR LOAD | A,C, G-K,M P,T, AD,AH AQ-B R EU-EY | 1 |

57-43-37

 ILLUSTRATED PARTS LIST
 01.1 Page 1078D
 Jul 01/03

| FIG. & ITEM | PART NO. | AIRLINE PART NUMBER | NOMENCLATURE 1234567 | EFF CODE | QTY PER ASSY |
|-------------|-------------|---------------------|---|---|--------------|
| 02-445 | 114T3149-2 | | ..RIB ASSY-AIR LOAD | B,D,L ,N,Q, U,Y,A B,AE, AJ,AP BS-CT ,EZ- FD | 1 |
| 450 | BACR15BA3AD | | ...RIVET- (SIZE DETERMINE ON INST) | A-D, G-Q,T ,U,Y, AB,AD ,AE,A H AJ,A P-CT, EU-FD | 20 |
| 455 | BACN10JQ32 | | ...NUTPLATE | A-D, G-Q,T ,U,Y, AB,AD ,AE,A H AJ,A P-CT, EU-FD | 2 |
| 460 | BRFM20A3 | | ...NUTPLATE- (V52828) (SPEC BACN10JN3) (OPT MF1000-3BAC (V15653)) (OPT NS103218-02 (V80539)) (OPT RMF9201M3 (V72962)) (OPT VN252A02 (V92215)) (OPT MF1000-3BAC (V15653)) (OPT MF53049-3 (V15653)) | A-D, G-Q,T ,U,Y, AB,AD ,AE,A H AJ,A P-CT, EU-FD | 1 |

57-43-37

| FIG. & ITEM | PART NO. | AIRLINE PART NUMBER | NOMENCLATURE 1234567 | EFF CODE | QTY PER ASSY |
|-------------|--------------|---------------------|--|---|--------------|
| 02-465 | NS103225-02 | | ...NUTPLATE- (V80539) (SPEC BACN10KH3) (OPT RMF9209M3 (V72962)) (OPT RMF9209M3 (V72962)) | A-D, G-Q,T ,U,Y, AB,AD ,AE,A H AJ,A P-CT, EU-FD | 7 |
| 470 | NAS1195DD3KH | | ...SHIM | A-D, G-Q,T ,U,Y, AB,AD ,AE,A H AJ,A P-CT, EU-FD | 1 |
| 475 | NAS1195DD3KM | | ...SHIM | A-D, G-Q,T ,U,Y, AB,AD ,AE,A H AJ,A P-CT, EU-FD | 5 |
| -480 | 114T3145-1 | | ..RIB ASSY-AIR LOAD | A,C, G-K,M ,P,T, AD,AH ,AQ-B R EU-EY | 1 |
| -485 | 114T3145-2 | | ..RIB ASSY-AIR LOAD | B,D,L ,N,Q, U,Y,A B,AE, AJ,AP BS-CT ,EZ- FD | 1 |

57-43-37

 ILLUSTRATED PARTS LIST
 01.1 Page 1078F
 Jul 01/03

| FIG. & ITEM | PART NO. | AIRLINE PART NUMBER | NOMENCLATURE 1234567 | EFF CODE | QTY PER ASSY |
|-------------|-------------|---------------------|---|---|--------------|
| 02-490 | BACR15BA3AD | | ...RIVET- (SIZE DETERMINE ON INST) | A-D, G-Q,T ,U,Y, AB,AD ,AE,A H AJ,A P-CT, EU-FD | 16 |
| 495 | BACN10JQ32 | | ...NUTPLATE | A-D, G-Q,T ,U,Y, AB,AD ,AE,A H AJ,A P-CT, EU-FD | 2 |
| 500 | BRFM20A3 | | ...NUTPLATE- (V52828) (SPEC BACN10JN3) (OPT MF1000-3BAC (V15653)) (OPT NS103218-02 (V80539)) (OPT RMF9201M3 (V72962)) (OPT VN252A02 (V92215)) (OPT MF1000-3BAC (V15653)) (OPT MF53049-3 (V15653)) | A-D, G-Q,T ,U,Y, AB,AD ,AE,A H AJ,A P-CT, EU-FD | 1 |

57-43-37

| FIG. & ITEM | PART NO. | AIRLINE PART NUMBER | NOMENCLATURE 1234567 | EFF CODE | QTY PER ASSY |
|-------------|--------------|---------------------|--|---|--------------|
| 02-505 | NS103225-02 | | ...NUTPLATE- (V80539) (SPEC BACN10KH3) (OPT RMF9209M3 (V72962)) (OPT RMF9209M3 (V72962)) | A-D, G-Q,T ,U,Y, AB,AD ,AE,A H AJ,A P-CT, EU-FD | 5 |
| 510 | NAS1195DD3KH | | ...SHIM | A-D, G-Q,T ,U,Y, AB,AD ,AE,A H AJ,A P-CT, EU-FD | 1 |
| 515 | NAS1195DD3KM | | ...SHIM | A-D, G-Q,T ,U,Y, AB,AD ,AE,A H AJ,A P-CT, EU-FD | 3 |
| -520 | 114T3144-1 | | ..RIB ASSY-AIR LOAD | A,C, G-K,M ,P,T, AD,AH ,AQ-B R EU-EY | 1 |

57-43-37

ILLUSTRATED PARTS LIST
 01.1 Page 1078H
 Jul 01/03

| FIG. & ITEM | PART NO. | AIRLINE PART NUMBER | NOMENCLATURE 1234567 | EFF CODE | QTY PER ASSY |
|-------------|-------------|---------------------|---|---|--------------|
| 02-525 | 114T3144-2 | | ..RIB ASSY-AIR LOAD | B,D,L ,N,Q, U,Y,A B,AE, AJ,AP BS-CT ,EZ- FD | 1 |
| 530 | BACR15BA3AD | | ...RIVET- (SIZE DETERMINE ON INST) | A-D, G-Q,T ,U,Y, AB,AD ,AE,A H AJ,A P-CT, EU-FD | 18 |
| 535 | BACN10JQ32 | | ...NUTPLATE | A-D, G-Q,T ,U,Y, AB,AD ,AE,A H AJ,A P-CT, EU-FD | 2 |
| 540 | BRFM20A3 | | ...NUTPLATE- (V52828) (SPEC BACN10JN3) (OPT MF1000-3BAC (V15653)) (OPT NS103218-02 (V80539)) (OPT RMF9201M3 (V72962)) (OPT VN252A02 (V92215)) (OPT MF1000-3BAC (V15653)) (OPT MF53049-3 (V15653)) | A-D, G-Q,T ,U,Y, AB,AD ,AE,A H AJ,A P-CT, EU-FD | 1 |

57-43-37

| FIG. & ITEM | PART NO. | AIRLINE PART NUMBER | NOMENCLATURE 1234567 | EFF CODE | QTY PER ASSY |
|-------------|--------------|---------------------|--|---|--------------|
| 02-545 | NS103225-02 | | ...NUTPLATE- (V80539) (SPEC BACN10KH3) (OPT RMF9209M3 (V72962)) (OPT RMF9209M3 (V72962)) | A-D, G-Q,T ,U,Y, AB,AD ,AE,A H AJ,A P-CT, EU-FD | 6 |
| 550 | NAS1195DD3KH | | ...SHIM | A-D, G-Q,T ,U,Y, AB,AD ,AE,A H AJ,A P-CT, EU-FD | 1 |
| 555 | NAS1195DD3KM | | ...SHIM | A-D, G-Q,T ,U,Y, AB,AD ,AE,A H AJ,A P-CT, EU-FD | 4 |
| -560 | 114T3143-1 | | ..RIB ASSY-AIR LOAD | A,C, G-K,M ,P,T, AD,AH ,AQ-B R EU-EY | 1 |
| -565 | 114T3143-2 | | ..RIB ASSY-AIR LOAD | B,D,L ,N,Q, U,Y,A B,AE, AJ,AP BS-CT ,EZ- FD | 1 |

57-43-37

ILLUSTRATED PARTS LIST
01.1 Page 1078J
Jul 01/03

| FIG. & ITEM | PART NO. | AIRLINE PART NUMBER | NOMENCLATURE 1234567 | EFF CODE | QTY PER ASSY |
|-------------|-------------|---------------------|---|---|--------------|
| 02-570 | BACR15BA3AD | | ...RIVET- (SIZE DETERMINE ON INST) | A-D, G-Q,T ,U,Y, AB,AD ,AE,A H AJ,A P-CT, EU-FD | 18 |
| 575 | BACN10JQ32 | | ...NUTPLATE | A-D, G-Q,T ,U,Y, AB,AD ,AE,A H AJ,A P-CT, EU-FD | 2 |
| 580 | BRFM20A3 | | ...NUTPLATE- (V52828) (SPEC BACN10JN3) (OPT MF1000-3BAC (V15653)) (OPT NS103218-02 (V80539)) (OPT RMF9201M3 (V72962)) (OPT VN252A02 (V92215)) (OPT MF1000-3BAC (V15653)) (OPT MF53049-3 (V15653)) | A-D, G-Q,T ,U,Y, AB,AD ,AE,A H AJ,A P-CT, EU-FD | 1 |

57-43-37

| FIG. & ITEM | PART NO. | AIRLINE PART NUMBER | NOMENCLATURE 1234567 | EFF CODE | QTY PER ASSY |
|----------------|--------------------------|---------------------|--|---|--------------|
| 02-585 585A | BACN10KH0 NS103225-02 | | DELETED ...NUTPLATE- (V80539) (SPEC BACN10KH3) (OPT RMF9209M3 (V72962)) (OPT F29779-3 (V15653)) | A-D, G-Q,T ,U,Y, AB,AD ,AE,A H AJ,A P-CT, EU-FD | 6 |
| 590 | NAS1195DD3KH | | ...SHIM | A-D, G-Q,T ,U,Y, AB,AD ,AE,A H AJ,A P-CT, EU-FD | 1 |
| 595 | NAS1195DD3KM | | ...SHIM | A-D, G-Q,T ,U,Y, AB,AD ,AE,A H AJ,A P-CT, EU-FD | 4 |
| -600 | 114T3140-1 | | ..RIB ASSY-AIR LOAD | A,C, G-K,M ,P,T, AD,AH ,AQ-B R EU-EY | 1 |

57-43-37

 ILLUSTRATED PARTS LIST
 01.1 Page 1078L
 Jul 01/03

| FIG. & ITEM | PART NO. | AIRLINE PART NUMBER | NOMENCLATURE 1234567 | EFF CODE | QTY PER ASSY |
|-------------|-------------|---------------------|---|---|--------------|
| 02- -605 | 114T3140-2 | | ..RIB ASSY-AIR LOAD | B,D,L ,N,Q, U,Y,A B,AE, AJ,AP BS-CT ,EZ- FD | 1 |
| 610 | BACR15BA3AD | | ...RIVET- (SIZE DETERMINE ON INST) | A-D, G-Q,T ,U,Y, AB,AD ,AE,A H AJ,A P-CT, EU-FD | 20 |
| 615 | BACN10JQ32 | | ...NUTPLATE | A-D, G-Q,T ,U,Y, AB,AD ,AE,A H AJ,A P-CT, EU-FD | 5 |
| 620 | BRFM20A3 | | ...NUTPLATE- (V52828) (SPEC BACN10JN3) (OPT MF1000-3BAC (V15653)) (OPT NS103218-02 (V80539)) (OPT RMF9201M3 (V72962)) (OPT VN252A02 (V92215)) (OPT MF1000-3BAC (V15653)) (OPT MF53049-3 (V15653)) | A-D, G-Q,T ,U,Y, AB,AD ,AE,A H AJ,A P-CT, EU-FD | 1 |

57-43-37

| FIG. & ITEM | PART NO. | AIRLINE PART NUMBER | NOMENCLATURE 1234567 | EFF CODE | QTY PER ASSY |
|-------------|-------------------------------|---------------------|--|---|--------------|
| 02-625 | NS103225-02 | | ...NUTPLATE- (V80539) (SPEC BACN10KH3) (OPT RMF9209M3 (V72962)) (OPT RMF9209M3 (V72962)) | A-D, G-Q,T ,U,Y, AB,AD ,AE,A H AJ,A P-CT, EU-FD | 4 |
| 630 630A | NAS1195DDD3KM NAS1195DD3KM | | DELETED ...SHIM | A-D, G-Q,T ,U,Y, AB,AD ,AE,A H AJ,A P-CT, EU-FD | 3 |
| -635 | 114T3139-1 | | ..RIB ASSY-AIR LOAD | A,C, G-K,M ,P,T, AD,AH ,AQ-B R EU-EY | 1 |
| -640 | 114T3139-2 | | ..RIB ASSY-AIR LOAD | B,D,L ,N,Q, U,Y,A B,AE, AJ,AP BS-CT ,EZ- FD | 1 |

57-43-37

 ILLUSTRATED PARTS LIST
 01.1 Page 1078N
 Jul 01/03

| FIG. & ITEM | PART NO. | AIRLINE PART NUMBER | NOMENCLATURE 1234567 | EFF CODE | QTY PER ASSY |
|-------------|-------------|---------------------|---|---|--------------|
| 02-645 | BACR15BA3AD | | ...RIVET- (SIZE DETERMINE ON INST) | A-D, G-Q,T ,U,Y, AB,AD ,AE,A H AJ,A P-CT, EU-FD | 20 |
| 650 | BACN10JQ32 | | ...NUTPLATE | A-D, G-Q,T ,U,Y, AB,AD ,AE,A H AJ,A P-CT, EU-FD | 2 |
| 655 | BRFM20A3 | | ...NUTPLATE- (V52828) (SPEC BACN10JN3) (OPT MF1000-3BAC (V15653)) (OPT NS103218-02 (V80539)) (OPT RMF9201M3 (V72962)) (OPT VN252A02 (V92215)) (OPT MF1000-3BAC (V15653)) (OPT MF53049-3 (V15653)) | A-D, G-Q,T ,U,Y, AB,AD ,AE,A H AJ,A P-CT, EU-FD | 1 |
| 660 | NS103225-02 | | ...NUTPLATE- (V80539) (SPEC BACN10KH3) (OPT RMF9209M3 (V72962)) (OPT RMF9209M3 (V72962)) | A-D, G-Q,T ,U,Y, AB,AD ,AE,A H AJ,A P-CT, EU-FD | 7 |

57-43-37

| FIG. & ITEM | PART NO. | AIRLINE PART NUMBER | NOMENCLATURE 1234567 | EFF CODE | QTY PER ASSY |
|-------------|--------------|---------------------|-------------------------|---|--------------|
| 02-665 | NAS1195DD3KH | | ...SHIM | A-D, G-Q,T U,Y, AB,AD AE,A H AJ,A P-CT, EU-FD | 1 |
| 670 | NAS1195DD3KM | | ...SHIM | A-D, G-Q,T U,Y, AB,AD AE,A H AJ,A P-CT, EU-FD | 6 |
| -675 | 114T3138-1 | | ..RIB ASSY-AIR LOAD | A,C, G-K,M P,T, AD,AH AQ-B R EU-EY | 1 |
| -680 | 114T3138-2 | | ..RIB ASSY-AIR LOAD | B,D,L N,Q, U,Y,A B,AE, AJ,AP BS-CT EZ- FD | 1 |

57-43-37

ILLUSTRATED PARTS LIST
 01.1 Page 1078P
 Jul 01/03

| FIG. & ITEM | PART NO. | AIRLINE PART NUMBER | NOMENCLATURE 1234567 | EFF CODE | QTY PER ASSY |
|-------------|-------------|---------------------|---|---|--------------|
| 02-685 | BACR15BA3AD | | ...RIVET- (SIZE DETERMINE ON INST) | A-D, G-Q,T ,U,Y, AB,AD ,AE,A H AJ,A P-CT, EU-FD | 22 |
| 690 | BACN10JQ32 | | ...NUTPLATE | A-D, G-Q,T ,U,Y, AB,AD ,AE,A H AJ,A P-CT, EU-FD | 4 |
| 695 | BRFM20A3 | | ...NUTPLATE- (V52828) (SPEC BACN10JN3) (OPT MF1000-3BAC (V15653)) (OPT NS103218-02 (V80539)) (OPT RMF9201M3 (V72962)) (OPT VN252A02 (V92215)) (OPT MF1000-3BAC (V15653)) (OPT MF53049-3 (V15653)) | A-D, G-Q,T ,U,Y, AB,AD ,AE,A H AJ,A P-CT, EU-FD | 1 |

57-43-37

| FIG. & ITEM | PART NO. | AIRLINE PART NUMBER | NOMENCLATURE 1234567 | EFF CODE | QTY PER ASSY |
|-------------|--------------|---------------------|--|---|--------------|
| 02-700 | NS103225-02 | | ...NUTPLATE- (V80539) (SPEC BACN10KH3) (OPT RMF9209M3 (V72962)) (OPT RMF9209M3 (V72962)) | A-D, G-Q,T ,U,Y, AB,AD ,AE,A H AJ,A P-CT, EU-FD | 6 |
| 705 | NAS1195DD3KH | | ...SHIM | A-D, G-Q,T ,U,Y, AB,AD ,AE,A H AJ,A P-CT, EU-FD | 1 |
| 710 | NAS1195DD3KM | | ...SHIM | A-D, G-Q,T ,U,Y, AB,AD ,AE,A H AJ,A P-CT, EU-FD | 5 |
| -715 | 114T3137-1 | | ..RIB ASSY-AIR LOAD | A,C, G-K,M ,P,T, AD,AH ,AQ-B R EU-EY | 1 |

57-43-37

 ILLUSTRATED PARTS LIST
 01.1 Page 1078R
 Jul 01/03

| FIG. & ITEM | PART NO. | AIRLINE PART NUMBER | NOMENCLATURE 1234567 | EFF CODE | QTY PER ASSY |
|-------------|---------------------------|---------------------|---|---|--------------|
| 02- -720 | 114T3137-2 | | ..RIB ASSY-AIR LOAD | B,D,L ,N,Q, U,Y,A B,AE, AJ,AP BS-CT ,EZ- FD | 1 |
| 725 725A | BACR1BA3AD BACR15BA3AD | | DELETED ...RIVET- (SIZE DETERMINE ON INST) | A-D, G-Q,T ,U,Y, AB,AD ,AE,A H AJ,A P-CT, EU-FD | 22 |
| 730 | BACN10JQ32 | | ...NUTPLATE | A-D, G-Q,T ,U,Y, AB,AD ,AE,A H AJ,A P-CT, EU-FD | 3 |
| 735 | BRFM20A3 | | ...NUTPLATE- (V52828) (SPEC BACN10JN3) (OPT MF1000-3BAC (V15653)) (OPT NS103218-02 (V80539)) (OPT RMF9201M3 (V72962)) (OPT VN252A02 (V92215)) (OPT MF1000-3BAC (V15653)) (OPT MF53049-3 (V15653)) | A-D, G-Q,T ,U,Y, AB,AD ,AE,A H AJ,A P-CT, EU-FD | 1 |

57-43-37

| FIG. & ITEM | PART NO. | AIRLINE PART NUMBER | NOMENCLATURE 1234567 | EFF CODE | QTY PER ASSY |
|-------------|--------------|---------------------|--|---|--------------|
| 02-740 | NS103225-02 | | ...NUTPLATE- (V80539) (SPEC BACN10KH3) (OPT RMF9209M3 (V72962)) (OPT RMF9209M3 (V72962)) | A-D, G-Q,T ,U,Y, AB,AD ,AE,A H AJ,A P-CT, EU-FD | 7 |
| 745 | NAS1195DD3KH | | ...SHIM | A-D, G-Q,T ,U,Y, AB,AD ,AE,A H AJ,A P-CT, EU-FD | 1 |
| 750 | NAS1195DD3KM | | ...SHIM | A-D, G-Q,T ,U,Y, AB,AD ,AE,A H AJ,A P-CT, EU-FD | 6 |
| -755 | 114T3133-1 | | ..RIB ASSY-AIR LOAD | A,C, G-K,M ,P,T, AD,AH ,AQ-B R EU-EY | 1 |

57-43-37

 ILLUSTRATED PARTS LIST
 01.1 Page 1078T
 Jul 01/03

| FIG. & ITEM | PART NO. | AIRLINE PART NUMBER | NOMENCLATURE 1234567 | EFF CODE | QTY PER ASSY |
|-------------|-------------|---------------------|---|---|--------------|
| 02- -760 | 114T3133-2 | | ..RIB ASSY-AIR LOAD | B,D,L ,N,Q, U,Y,A B,AE, AJ,AP BS-CT ,EZ- FD | 1 |
| 765 | BACR15BA3AD | | ...RIVET- (SIZE DETERMINE ON INST) | A-D, G-Q,T ,U,Y, AB,AD ,AE,A H AJ,A P-CT, EU-FD | 28 |
| 770 | BACN10JQ32 | | ...NUTPLATE | A-D, G-Q,T ,U,Y, AB,AD ,AE,A H AJ,A P-CT, EU-FD | 7 |
| 775 | BRFM20A3 | | ...NUTPLATE- (V52828) (SPEC BACN10JN3) (OPT MF1000-3BAC (V15653)) (OPT NS103218-02 (V80539)) (OPT RMF9201M3 (V72962)) (OPT VN252A02 (V92215)) (OPT MF1000-3BAC (V15653)) (OPT MF53049-3 (V15653)) | A-D, G-Q,T ,U,Y, AB,AD ,AE,A H AJ,A P-CT, EU-FD | 1 |

57-43-37

| FIG. & ITEM | PART NO. | AIRLINE PART NUMBER | NOMENCLATURE 1234567 | EFF CODE | QTY PER ASSY |
|-------------|--------------|---------------------|--|---|--------------|
| 02-780 | NS103225-02 | | ...NUTPLATE- (V80539) (SPEC BACN10KH3) (OPT RMF9209M3 (V72962)) (OPT RMF9209M3 (V72962)) | A-D, G-Q,T ,U,Y, AB,AD ,AE,A H AJ,A P-CT, EU-FD | 6 |
| 785 | NAS1195DD3KH | | ...SHIM | A-D, G-Q,T ,U,Y, AB,AD ,AE,A H AJ,A P-CT, EU-FD | 1 |
| 790 | NAS1195DD3KM | | ...SHIM | A-D, G-Q,T ,U,Y, AB,AD ,AE,A H AJ,A P-CT, EU-FD | 4 |
| -795 | 114T3132-1 | | ..RIB ASSY-AIR LOAD | A,C, G-K,M ,P,T, AD,AH ,AQ-B R EU-EY | 1 |

57-43-37

ILLUSTRATED PARTS LIST
01.1 Page 1078V
Jul 01/03

| FIG. & ITEM | PART NO. | AIRLINE PART NUMBER | NOMENCLATURE 1234567 | EFF CODE | QTY PER ASSY |
|-------------|-------------|---------------------|---|---|--------------|
| 02- -800 | 114T3132-2 | | ..RIB ASSY-AIR LOAD | B,D,L ,N,Q, U,Y,A B,AE, AJ,AP BS-CT ,EZ- FD | 1 |
| 803 | BACR15BA3AD | | ...RIVET- (SIZE DETERMINE ON INST) | A-D, G-Q,T ,U,Y, AB,AD ,AE,A H AJ,A P-CT, EU-FD | 30 |
| 806 | BACN10JQ32 | | ...NUTPLATE | A-D, G-Q,T ,U,Y, AB,AD ,AE,A H AJ,A P-CT, EU-FD | 8 |
| 809 | BRFM20A3 | | ...NUTPLATE- (V52828) (SPEC BACN10JN3) (OPT MF1000-3BAC (V15653)) (OPT NS103218-02 (V80539)) (OPT RMF9201M3 (V72962)) (OPT VN252A02 (V92215)) (OPT MF1000-3BAC (V15653)) (OPT MF53049-3 (V15653)) | A-D, G-Q,T ,U,Y, AB,AD ,AE,A H AJ,A P-CT, EU-FD | 1 |

57-43-37

| FIG. & ITEM | PART NO. | AIRLINE PART NUMBER | NOMENCLATURE 1234567 | EFF CODE | QTY PER ASSY |
|-------------|--------------|---------------------|--|---|--------------|
| 02-812 | NS103225-02 | | ...NUTPLATE- (V80539) (SPEC BACN10KH3) (OPT RMF9209M3 (V72962)) (OPT RMF9209M3 (V72962)) | A-D, G-Q,T ,U,Y, AB,AD ,AE,A H AJ,A P-CT, EU-FD | 6 |
| 815 | NAS1195DD3KH | | ...SHIM | A-D, G-Q,T ,U,Y, AB,AD ,AE,A H AJ,A P-CT, EU-FD | 1 |
| 818 | NAS1195DD3KM | | ...SHIM | A-D, G-Q,T ,U,Y, AB,AD ,AE,A H AJ,A P-CT, EU-FD | 4 |
| -821 | 114T3131-1 | | ..RIB ASSY-AIR LOAD | A,C, G-K,M ,P,T, AD,AH ,AQ-B R EU-EY | 1 |

57-43-37

ILLUSTRATED PARTS LIST
01.1 Page 1078X
Jul 01/03

| FIG. & ITEM | PART NO. | AIRLINE PART NUMBER | NOMENCLATURE 1234567 | EFF CODE | QTY PER ASSY |
|-------------|-------------|---------------------|---|---|--------------|
| 02- -824 | 114T3131-2 | | ..RIB ASSY-AIR LOAD | B,D,L ,N,Q, U,Y,A B,AE, AJ,AP BS-CT ,EZ- FD | 1 |
| 827 | BACR15BA3AD | | ...RIVET- (SIZE DETERMINE ON INST) | A-D, G-Q,T ,U,Y, AB,AD ,AE,A H AJ,A P-CT, EU-FD | 34 |
| 830 | BACN10JQ32 | | ...NUTPLATE | A-D, G-Q,T ,U,Y, AB,AD ,AE,A H AJ,A P-CT, EU-FD | 10 |
| 833 | BRFM20A3 | | ...NUTPLATE- (V52828) (SPEC BACN10JN3) (OPT MF1000-3BAC (V15653)) (OPT NS103218-02 (V80539)) (OPT RMF9201M3 (V72962)) (OPT VN252A02 (V92215)) (OPT MF1000-3BAC (V15653)) (OPT MF53049-3 (V15653)) | A-D, G-Q,T ,U,Y, AB,AD ,AE,A H AJ,A P-CT, EU-FD | 1 |

57-43-37

| FIG. & ITEM | PART NO. | AIRLINE PART NUMBER | NOMENCLATURE 1234567 | EFF CODE | QTY PER ASSY |
|-------------|--------------|---------------------|--|---|--------------|
| 02-836 | NS103225-02 | | ...NUTPLATE- (V80539) (SPEC BACN10KH3) (OPT RMF9209M3 (V72962)) (OPT RMF9209M3 (V72962)) | A-D, G-Q,T ,U,Y, AB,AD ,AE,A H AJ,A P-CT, EU-FD | 6 |
| 839 | NAS1195DD3KH | | ...SHIM | A-D, G-Q,T ,U,Y, AB,AD ,AE,A H AJ,A P-CT, EU-FD | 1 |
| 842 | NAS1195DD3KM | | ...SHIM | A-D, G-Q,T ,U,Y, AB,AD ,AE,A H AJ,A P-CT, EU-FD | 4 |
| -845 | 114T3150-1 | | ..RIB ASSY-END | A,C, G-K,M ,P,T, AD,AH ,AQ-B R EU-EY | 1 |

57-43-37

ILLUSTRATED PARTS LIST
01.1 Page 1078Z
Jul 01/03

| FIG. & ITEM | PART NO. | AIRLINE PART NUMBER | NOMENCLATURE 1234567 | EFF CODE | QTY PER ASSY |
|-------------|-------------|---------------------|---|---|--------------|
| 02- -847 | 114T3150-2 | | ..RIB ASSY-END | B,D,L ,N,Q, U,Y,A B,AE, AJ,AP BS-CT ,EZ- FD | 1 |
| 850 | BACR15BA3AD | | ...RIVET- (SIZE DETERMINE ON INST) | A-D, G-Q,T ,U,Y, AB,AD ,AE,A H AJ,A P-CT, EU-FD | 26 |
| 853 | BACN10JQ32 | | ...NUTPLATE | A-D, G-Q,T ,U,Y, AB,AD ,AE,A H AJ,A P-CT, EU-FD | 3 |
| 856 | BRFM20A3 | | ...NUTPLATE- (V52828) (SPEC BACN10JN3) (OPT MF1000-3BAC (V15653)) (OPT NS103218-02 (V80539)) (OPT RMF9201M3 (V72962)) (OPT VN252A02 (V92215)) (OPT MF1000-3BAC (V15653)) (OPT MF53049-3 (V15653)) | A-D, G-Q,T ,U,Y, AB,AD ,AE,A H AJ,A P-CT, EU-FD | 1 |

57-43-37

| FIG. & ITEM | PART NO. | AIRLINE PART NUMBER | NOMENCLATURE 1234567 | EFF CODE | QTY PER ASSY |
|-------------|--------------|---------------------|--|---|--------------|
| 02-859 | T8124S4S | | ...NUTPLATE- (V71087) (SPEC BACN10JN4) (OPT MF1000-4BAC (V15653)) (OPT NS103218-048 (V80539)) (OPT RMF9201M4 (V72962)) (OPT VN252A048 (V92215)) (OPT VN252A048 (V92215)) (OPT T8124S4S (V11815)) | A-D, G-Q,T ,U,Y, AB,AD ,AE,A H AJ,A P-CT, EU-FD | 3 |
| 862 | NS103225-02 | | ...NUTPLATE- (V80539) (SPEC BACN10KH3) (OPT RMF9209M3 (V72962)) (OPT RMF9209M3 (V72962)) | A-D, G-Q,T ,U,Y, AB,AD ,AE,A H AJ,A P-CT, EU-FD | 6 |
| 865 | NAS1195DD3KH | | ...SHIM | A-D, G-Q,T ,U,Y, AB,AD ,AE,A H AJ,A P-CT, EU-FD | 2 |
| 868 | NAS1195DD3KM | | ...SHIM | A-D, G-Q,T ,U,Y, AB,AD ,AE,A H AJ,A P-CT, EU-FD | 3 |

57-43-37

 ILLUSTRATED PARTS LIST
 01.1 Page 1080
 Jul 01/03

| FIG. & ITEM | PART NO. | AIRLINE PART NUMBER | NOMENCLATURE 1234567 | EFF CODE | QTY PER ASSY |
|-------------|-------------|---------------------|---|---|--------------|
| 02- -871 | 114T3130-1 | | ..RIB ASSY-END | A,C, G-K,M ,P,T, AD,AH ,AQ-B R EU-EY | 1 |
| -874 | 114T3130-2 | | ..RIB ASSY-END | B,D,L ,N,Q, U,Y,A B,AE, AJ,AP BS-CT ,EZ- FD | 1 |
| 877 | BACR15BA3AD | | ...RIVET- (SIZE DETERMINE ON INST) (NHA 114T3130) | A-D, G-Q,T ,U,Y, AB,AD ,AE,A H AJ,A P-CT, EU-FD | 38 |
| 880 | BACN10JQ32 | | ...NUTPLATE | A-D, G-Q,T ,U,Y, AB,AD ,AE,A H AJ,A P-CT, EU-FD | 10 |

57-43-37

| FIG. & ITEM | PART NO. | AIRLINE PART NUMBER | NOMENCLATURE 1234567 | EFF CODE | QTY PER ASSY |
|-------------|--------------|---------------------|---|---|--------------|
| 02-883 | BRFM20A3 | | ...NUTPLATE- (V52828) (SPEC BACN10JN3) (OPT MF1000-3BAC (V15653)) (OPT NS103218-02 (V80539)) (OPT RMF9201M3 (V72962)) (OPT VN252A02 (V92215)) (OPT MF1000-3BAC (V15653)) (OPT MF53049-3 (V15653)) | A-D, G-Q,T ,U,Y, AB,AD ,AE,A H AJ,A P-CT, EU-FD | 1 |
| 886 | NS103225-02 | | ...NUTPLATE- (V80539) (SPEC BACN10KH3) (OPT RMF9209M3 (V72962)) (OPT RMF9209M3 (V72962)) | A-D, G-Q,T ,U,Y, AB,AD ,AE,A H AJ,A P-CT, EU-FD | 8 |
| 889 | NAS1195DD3KH | | ...SHIM | A-D, G-Q,T ,U,Y, AB,AD ,AE,A H AJ,A P-CT, EU-FD | 1 |

57-43-37

ILLUSTRATED PARTS LIST
01.1 Page 1080B
Jul 01/03

| FIG. & ITEM | PART NO. | AIRLINE PART NUMBER | NOMENCLATURE | EFF CODE | QTY PER ASSY |
|-------------|--------------|---------------------|--------------------------------------|---|--------------|
| | | | 1234567 | | |
| 02-892 | NAS1195DD3KM | | ...SHIM | A-D, G-Q,T U,Y, AB,AD AE,A H AJ,A P-CT, EU-FD | 6 |
| 895 | BACR15BB3AD | | ..RIVET- (SIZE DETERMINE ON INST) | A-D, G-Q,T U,Y, AB,AD AE,A H AJ,A P-CT, EU-FD | 4 |
| 898 | MS27253-1 | | ..PLATE | A-D, G-Q,T U,Y, AB,AD AE,A H AJ,A P-CT, EU-FD | 1 |
| | | | INSTALLATION PARTS | A-D, G-Q,T U,Y, AB,AD AE,A H AJ,A P-CT, EU-FD | |

57-43-37

| FIG. & ITEM | PART NO. | AIRLINE PART NUMBER | NOMENCLATURE 1234567 | EFF CODE | QTY PER ASSY |
|-------------|--------------|---------------------|-------------------------|---|--------------|
| 02-902 | MS24665-287 | | PIN-COTTER | A-D, G-Q,T U,Y, AB,AD AE,A H AJ,A P-CT, EU-FD | 1 |
| 904 | NAS6708D20 | | BOLT | A-D, G-Q,T U,Y, AB,AD AE,A H AJ,A P-CT, EU-FD | 1 |
| 906 | BACW10BP8CD | | WASHER | A-D, G-Q,T U,Y, AB,AD AE,A H AJ,A P-CT, EU-FD | 1 |
| 908 | BACW10BP8DP | | WASHER | A-D, G-Q,T U,Y, AB,AD AE,A H AJ,A P-CT, EU-FD | 1 |
| 910 | BACN10JD8ASU | | NUT | A-D, G-Q,T U,Y, AB,AD AE,A H AJ,A P-CT, EU-FD | 1 |

57-43-37

 ILLUSTRATED PARTS LIST
 01.1 Page 1080D
 Jul 01/03

| FIG. & ITEM | PART NO. | AIRLINE PART NUMBER | NOMENCLATURE 1234567 | EFF CODE | QTY PER ASSY |
|-------------|----------------|---------------------|-----------------------------------|---|--------------|
| 02-912 | BACB28AK08-037 | | BUSHING | A-D, G-Q,T ,U,Y, AB,AD ,AE,A H AJ,A P-CT, EU-FD | 1 |
| 914 | 114T3302-1 | | TRACK ASSY- (REF CMM 27-81-28) | A-D, G-Q,T ,U,Y, AB,AD ,AE,A H AJ,A P-CT, EU-FD | 1 |
| 916 | BACB28AM11B014 | | DELETED | | |
| 918 | BACB28AP08P014 | | DELETED | | |
| 920 | 114T3302-2 | | DELETED | | |
| 922 | MS24665-287 | | PIN-COTTER | A-D, G-Q,T ,U,Y, AB,AD ,AE,A H AJ,A P-CT, EU-FD | 1 |
| 924 | NAS6708D23 | | BOLT | A-D, G-Q,T ,U,Y, AB,AD ,AE,A H AJ,A P-CT, EU-FD | 1 |

57-43-37

| FIG. & ITEM | PART NO. | AIRLINE PART NUMBER | NOMENCLATURE 1234567 | EFF CODE | QTY PER ASSY |
|-------------|----------------|---------------------|-------------------------|---|--------------|
| 02-926 | BACW10BP8CD | | WASHER | A-D, G-Q,T U,Y, AB,AD AE,A H AJ,A P-CT, EU-FD | 1 |
| 928 | BACW10BP8DP | | WASHER | A-D, G-Q,T U,Y, AB,AD AE,A H AJ,A P-CT, EU-FD | 1 |
| 930 | BACN10JD8ASU | | NUT | A-D, G-Q,T U,Y, AB,AD AE,A H AJ,A P-CT, EU-FD | 1 |
| 932 | BACB28AK08-046 | | BUSHING | A-D, G-Q,T U,Y, AB,AD AE,A H AJ,A P-CT, EU-FD | 1 |

57-43-37

 ILLUSTRATED PARTS LIST
 01.1 Page 1080F
 Jul 01/03

015T0165
 015T1507
 114T3100
 DASH NUMBERS LIMITED

 **BOEING**
 COMPONENT
 MAINTENANCE MANUAL

| FIG. & ITEM | PART NO. | AIRLINE PART NUMBER | NOMENCLATURE 1234567 | EFF CODE | QTY PER ASSY |
|-------------|-----------------|---------------------|----------------------------------|---|--------------|
| 02-934 | 114T3301-3 | | LINK ASSY- (REF CMM 27-81-29) | A-D, G-Q,T ,U,Y, AB,AD ,AE,A H AJ,A P-CT, EU-FD | 1 |
| 936 | BACB28AP08P024 | | DELETED | | |
| 938 | BACB28AM11B024A | | DELETED | | |
| 940 | 114T0143-1 | | DELETED | | |
| 942 | 114T0143-2 | | DELETED | | |
| 944 | 114T3301-4 | | DELETED | | |
| 946 | MS24665-287 | | PIN-COTTER | A-D, G-Q,T ,U,Y, AB,AD ,AE,A H AJ,A P-CT, EU-FD | 1 |
| 948 | 114T3051-1 | | BOLT ASSY | A-D, G-Q,T ,U,Y, AB,AD ,AE,A H AJ,A P-CT, EU-FD | 1 |

57-43-37

ILLUSTRATED PARTS LIST
 01.1 Page 1080G
 Jul 01/03

| FIG. & ITEM | PART NO. | AIRLINE PART NUMBER | NOMENCLATURE 1234567 | EFF CODE | QTY PER ASSY |
|-------------|--------------|---------------------|-------------------------|---|--------------|
| 02-950 | MS15001-1 | | .FITTING | A-D, G-Q,T U,Y, AB,AD AE,A H AJ,A P-CT, EU-FD | 1 |
| 952 | 114T3051-2 | | .BOLT | A-D, G-Q,T U,Y, AB,AD AE,A H AJ,A P-CT, EU-FD | 1 |
| 954 | BACW10BP8DP | | WASHER | A-D, G-Q,T U,Y, AB,AD AE,A H AJ,A P-CT, EU-FD | 1 |
| 956 | BACN10JD8ASU | | NUT | A-D, G-Q,T U,Y, AB,AD AE,A H AJ,A P-CT, EU-FD | 1 |

57-43-37

 ILLUSTRATED PARTS LIST
 01.1 Page 1080H
 Jul 01/03

| FIG. & ITEM | PART NO. | AIRLINE PART NUMBER | NOMENCLATURE 1234567 | EFF CODE | QTY PER ASSY |
|-------------|--------------|---------------------|-------------------------------------|---|--------------|
| 02-958 | BACW10P358CA | | WASHER | A-D, G-Q,T ,U,Y, AB,AD ,AE,A H AJ,A P-CT, EU-FD | 1 |
| 960 | 114T3052-1 | | RETAINER ASSY-SIDE BRACE LINK | A-D, G-Q,T ,U,Y, AB,AD ,AE,A H AJ,A P-CT, EU-FD | 1 |
| 962 | 114T3052-3 | | .KEY | A-D, G-Q,T ,U,Y, AB,AD ,AE,A H AJ,A P-CT, EU-FD | 1 |
| 964 | BACR15BA5AD | | .RIVET- (SIZE DETERMINE ON INST) | A-D, G-Q,T ,U,Y, AB,AD ,AE,A H AJ,A P-CT, EU-FD | 2 |
| 966 | 114T3052-2 | | .RETAINER | A-D, G-Q,T ,U,Y, AB,AD ,AE,A H AJ,A P-CT, EU-FD | 1 |

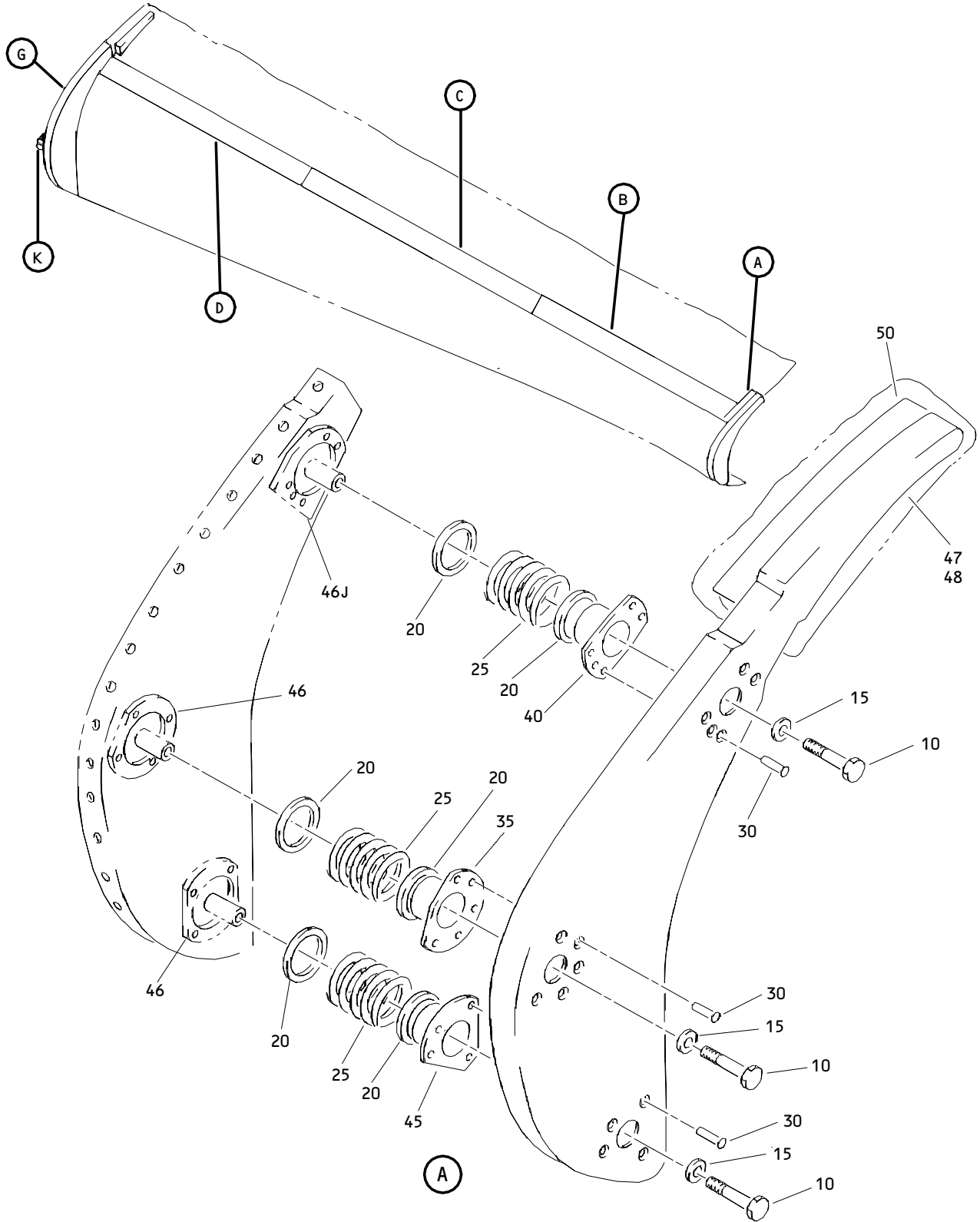
57-43-37

| FIG. & ITEM | PART NO. | AIRLINE PART NUMBER | NOMENCLATURE 1234567 | EFF CODE | QTY PER ASSY |
|-------------|-----------------|---------------------|--|---|--------------|
| 02-968 | BACB28AK08-057 | | BUSHING | A-D, G-Q,T U,Y, AB,AD AE,A H AJ,A P-CT, EU-FD | 1 |
| 970 | 114T3300-9 | | LINK ASSY-SIDE BRACE (REF CMM 27-81-29) | A,M,A Q-AX, EU,EV | 1 |
| -972 | 114T3300-10 | | LINK ASSY-SIDE BRACE (REF CMM 27-81-29) | B,N,B S-BZ, EZ,FA | 1 |
| 974 | BACB28AM11B025A | | DELETED | | |
| 976 | 114T0126-2 | | DELETED | | |
| 978 | ADW5V301NC | | DELETED | | |
| 980 | 114T3154-1 | | DELETED | | |
| 982 | 114T3152-1 | | DELETED | | |
| 984 | 114T3155-1 | | DELETED | | |
| 985 | 114T3153-1 | | DELETED | | |
| 986 | ABWEN08 | | DELETED | | |
| 987 | 114T3151-1 | | DELETED | | |
| 988 | 114T3300-7 | | DELETED | | |
| -989 | 114T3300-8 | | DELETED | | |

- Item Not Illustrated

57-43-37

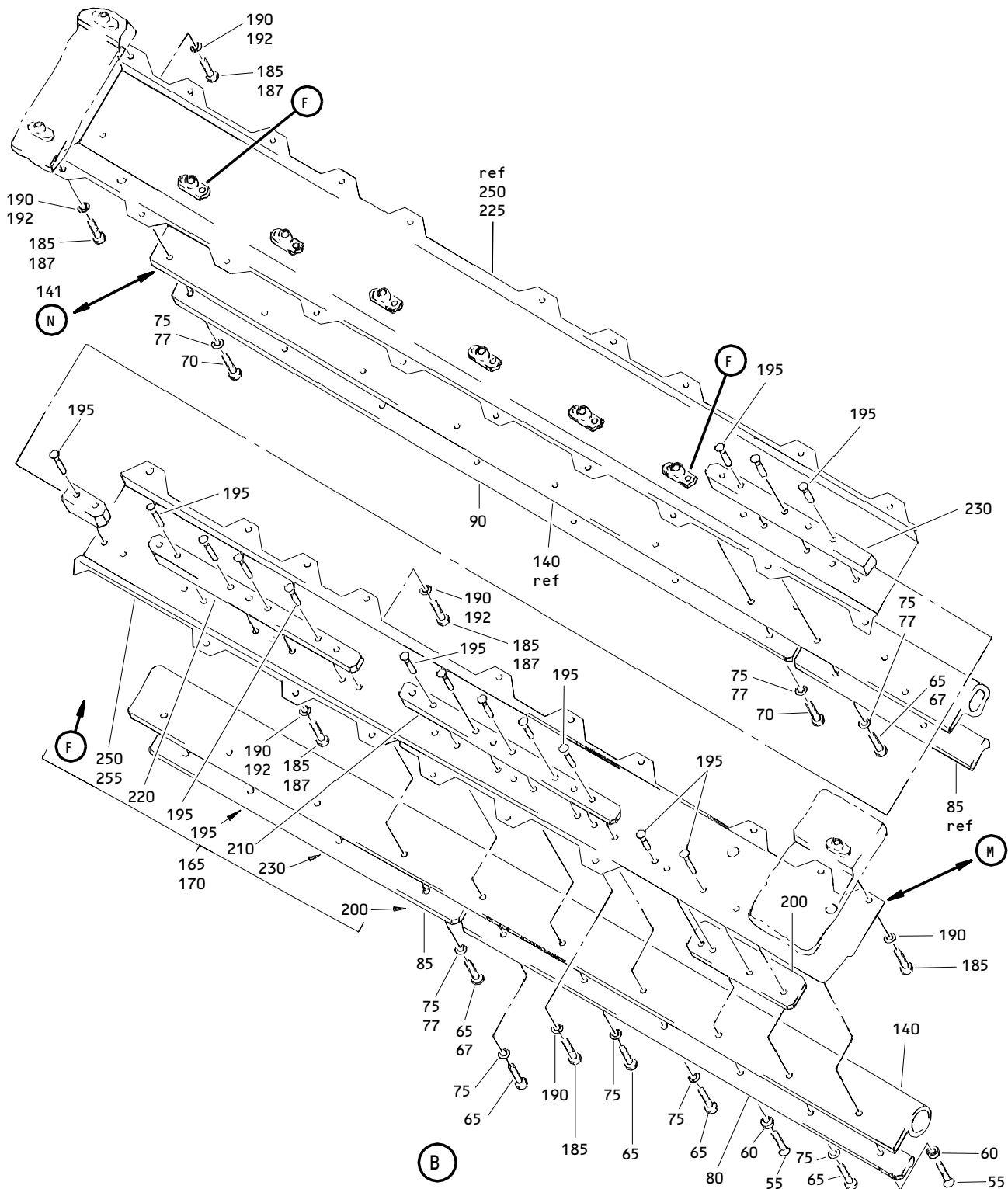
ILLUSTRATED PARTS LIST
01.1 Page 1080J
Jul 01/03



Wing Inboard Leading Edge Slat No. 6 and 7 Seal Installation
Figure 3 (Sheet 1)

57-43-37

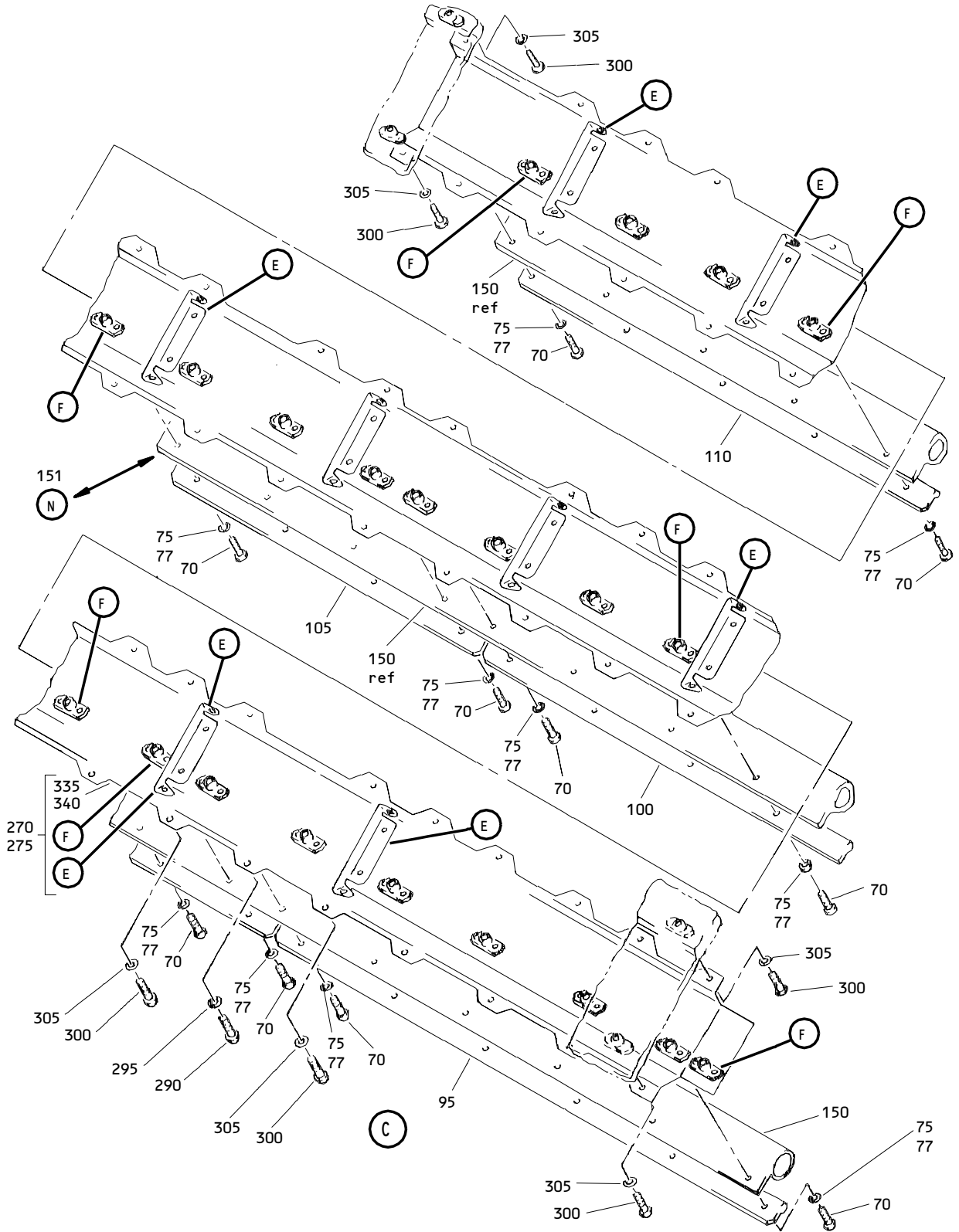
ILLUSTRATED PARTS LIST
01.1 Page 1080K
Jul 01/03



Wing Inboard Leading Edge Slat No. 6 and 7 Seal Installation
 Figure 3 (Sheet 2)

57-43-37

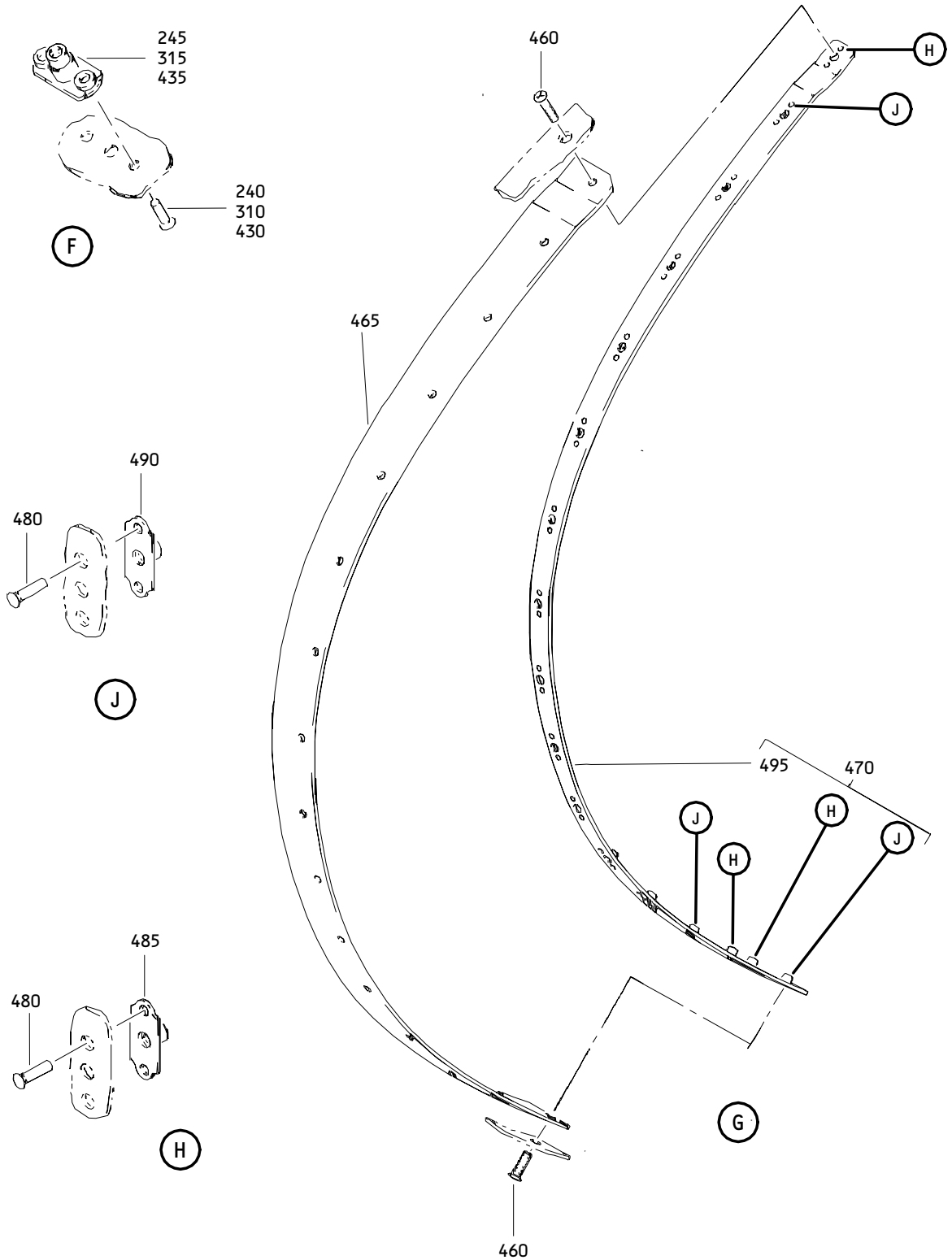
ILLUSTRATED PARTS LIST
 01.1 Page 1080L
 Jul 01/03



Wing Inboard Leading Edge Slat No. 6 and 7 Seal Installation
Figure 3 (Sheet 3)

57-43-37

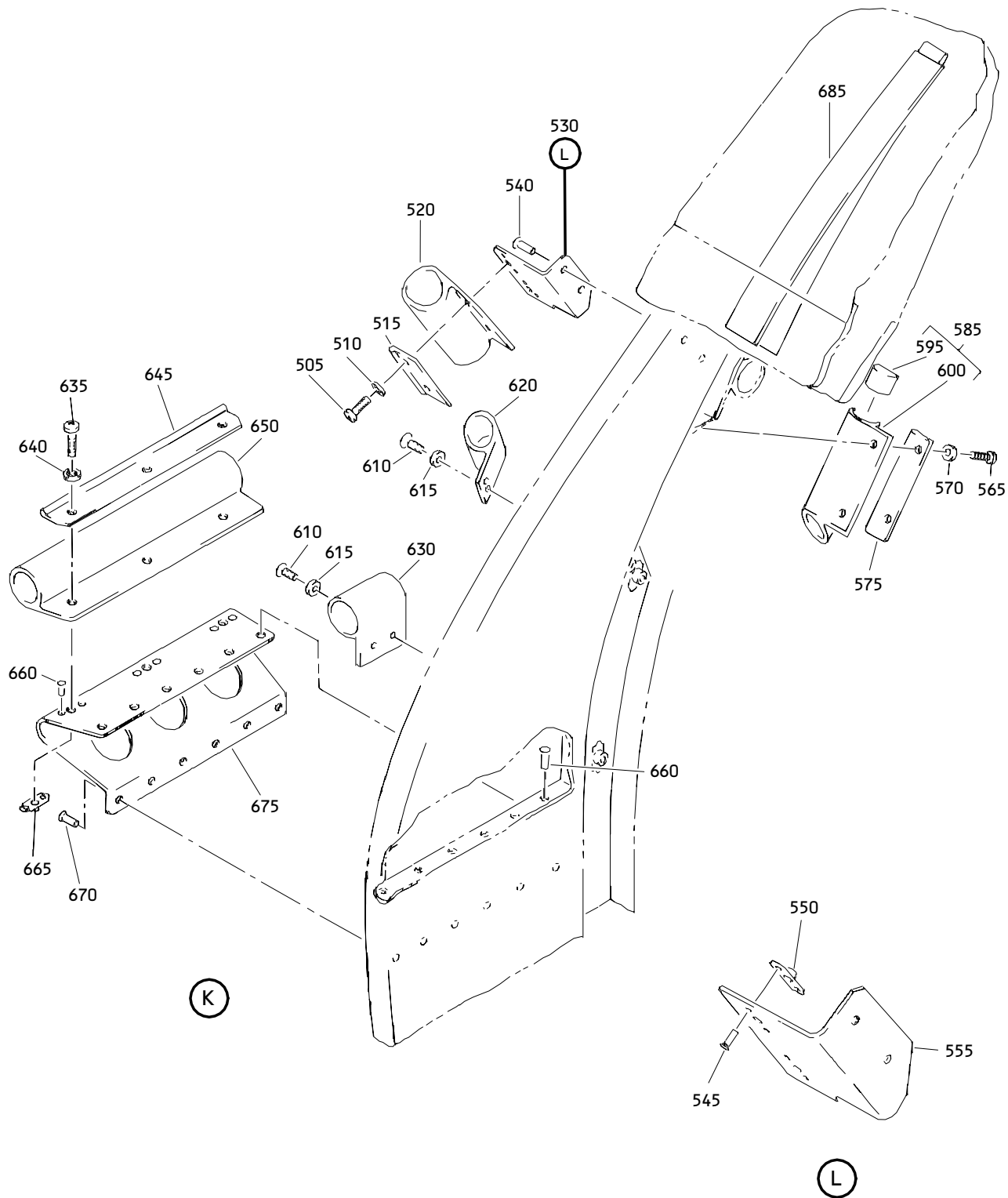
ILLUSTRATED PARTS LIST
01.1 Page 1080M
Jul 01/03



Wing Inboard Leading Edge Slat No. 6 and 7 Seal Installation
Figure 3 (Sheet 5)

57-43-37

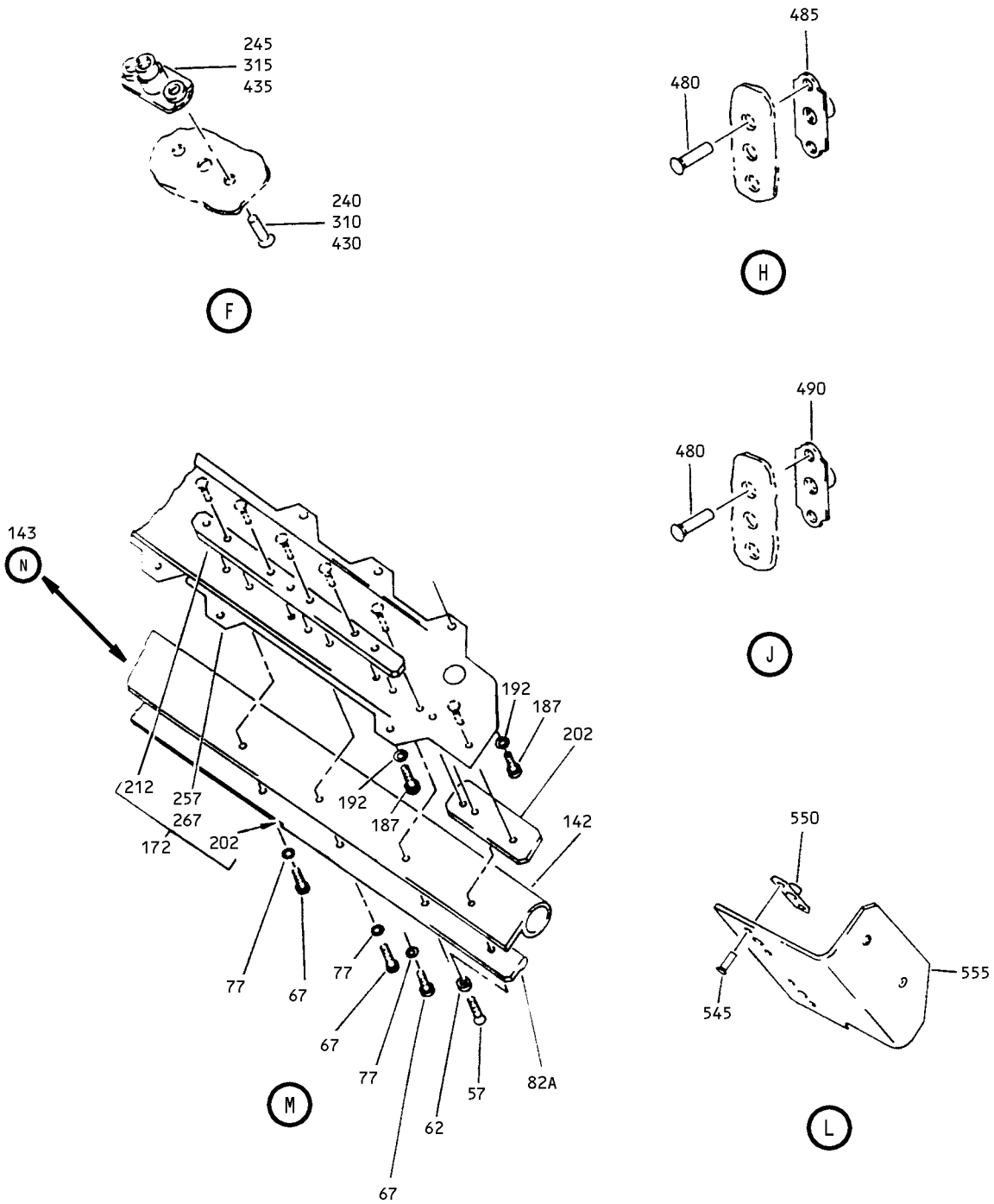
ILLUSTRATED PARTS LIST
01.1 Page 10800
Jul 01/03



Wing Inboard Leading Edge Slat No. 6 and 7 Seal Installation
 Figure 3 (Sheet 6)

57-43-37

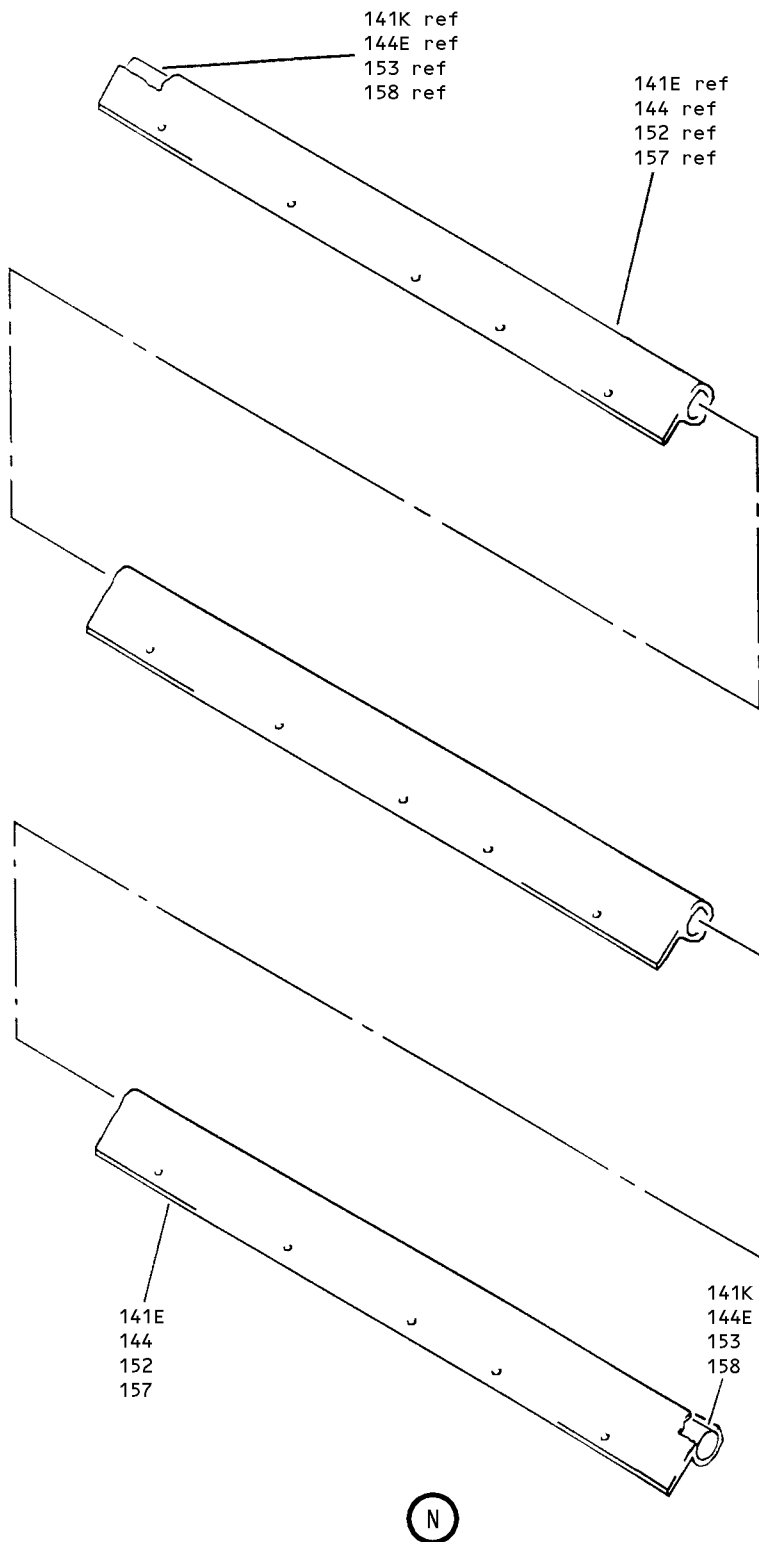
ILLUSTRATED PARTS LIST
 01.1 Page 1080P
 Jul 01/03



Wing Inboard Leading Edge Slat No. 6 and 7 Seal Installation
 Figure 3 (Sheet 7)

57-43-37

ILLUSTRATED PARTS LIST
 01.1 Page 1080Q
 Jul 01/03



Wing Inboard Leading Edge Slat No. 6 and 7 Seal Installation
 Figure 3 (Sheet 8)

57-43-37

ILLUSTRATED PARTS LIST
 01.1 Page 1080R
 Jul 01/03

| FIG. & ITEM | PART NO. | AIRLINE PART NUMBER | NOMENCLATURE 1234567 | EFF CODE | QTY PER ASSY |
|-------------|-------------|---------------------|---|--|--------------|
| 03- -1 | 114T3200-1 | | SEAL INSTL-INBD SLAT NO. 6 WING LE STRUCTURE | A,G-J ,M,AH ,AQ-A X,BQ, BR EU,EV | RF |
| -1A | 114T3200-5 | | SEAL INSTL-INBD SLAT NO. 6 WING LE STRUCTURE | A,C, G-K,M ,P,T, X,AD, AF,AH AK,AH Q-BR, DL-DR ,DY, EA EU-EY | RF |
| -1B | 114T3200-5 | | DELETED | | |
| -1C | 114T3200-7 | | SEAL INSTL-INBD SLAT NO. 6 WING LE STRUCTURE (VARIABLE) | E,R,V ,Z,AL ,CU- DB | RF |
| -1D | 114T3200-9 | | SEAL INSTL-INBD SLAT NO. 6 WING LE STRUCT | DZ,EB | RF |
| R -1E | 114T3200-11 | | SEAL INSTL-INBD SLAT NO. 6 WING LE STRUCT | EJ,EN | RF |
| R -1F | 114T3200-13 | | SEAL INSTL-INBD SLAT NO. 6 WING LE STRUCT | EG,EL ,EQ,E S | RF |
| R -1G | 114T3200-15 | | SEAL INSTL-INBD SLAT NO. 6 WING LE STRUCT | FE,FJ | RF |
| R -1H | 114T3200-17 | | SEAL INSTL-INBD SLAT NO. 6 WING LE STRUCT | FG | RF |

57-43-37

| FIG. & ITEM | PART NO. | AIRLINE PART NUMBER | NOMENCLATURE 1234567 | EFF CODE | QTY PER ASSY |
|-------------|-------------|---------------------|---|---|--------------|
| 03- -5 | 114T3200-2 | | SEAL INSTL-INBD SLAT NO. 7 WING LE STRUCTURE | B,N,Y ,AB,A J,AP, BS-BZ ,CS CT,EZ ,FA | RF |
| -5A | 114T3200-6 | | SEAL INSTL-INBD SLAT NO. 7 WING LE STRUCTURE | B,D,L ,N,Q, U,Y,A A,AB, AE,AG AJ,AM ,BS-C T,D S-DX, EC,EE EZ-FD | RF |
| -5B | 114T3200-6 | | DELETED | | |
| -5C | 114T3200-8 | | SEAL INSTL-INBD SLAT NO. 7 WING LE STRUCTURE (VARIABLE) | F,S,W ,AC,A N,D C-DK | RF |
| -5D | 114T3200-10 | | SEAL INSTL-INBD SLAT NO. 7 WING LE STRUCT | ED,EF | RF |
| R -5E | 114T3200-12 | | SEAL INSTL-INBD SLAT NO. 7 WING LE STRUCT | EK,EP | RF |
| R -5F | 114T3200-14 | | SEAL INSTL-INBD SLAT NO. 7 WING LE STRUCT | EH,EM ,ER,E T | RF |
| R -5G | 114T3200-16 | | SEAL INSTL-INBD SLAT NO. 7 WING LE STRUCT | FF,FK | RF |
| R -5H | 114T3200-18 | | SEAL INSTL-INBD SLAT NO. 7 WING LE STRUCT | FH | RF |

57-43-37

 ILLUSTRATED PARTS LIST
 01.1 Page 1080T
 Jul 01/03

015T0165
 015T1507
 114T3100
 DASH NUMBERS LIMITED

 **BOEING**
 COMPONENT
 MAINTENANCE MANUAL

| FIG. & ITEM | PART NO. | AIRLINE PART NUMBER | NOMENCLATURE | EFF CODE | QTY PER ASSY |
|-------------|--------------|---------------------|--|--|--------------|
| | | | 1234567 | | |
| 03- | | | | | |
| 10 | BACB30NM4K16 | | .BOLT | | 3 |
| 15 | 114T3212-7 | | .WASHER- | | 3 |
| | | | (MFD FROM SH AL 2024T3 QQ-A-250/4 0.063 IN. 1.00 IN. 1.00 IN.) | | |
| 20 | BACW10P83L | | .WASHER | | 6 |
| 25 | 114T3214-1 | | .SPRING | | 3 |
| 30 | BACR15BA4AD | | .RIVET- | | 14 |
| | | | (SIZE DETERMINE ON INST) | | |
| 35 | 114T3212-1 | | .TUBE-SPRT | | 1 |
| 40 | 114T3212-2 | | .TUBE-SPRT | | 1 |
| 45 | 114T3212-3 | | .TUBE-SPRT | | 1 |
| 46 | 114T3212-4 | | .SPACER | | 2 |
| 46J | 114T3212-5 | | .SPACER | A,C,E ,G-K, M,P,R ,T,V, X,Z AD,AF ,AH,A K,AL, AQ-BR CU-DB ,DL-D R,D Y-EB, EG,EJ EL,EN ,EQ,E S,E U-EY, FE,FG FJ,FG | 1 |

57-43-37

ILLUSTRATED PARTS LIST
 01.1 Page 1080U
 Jul 01/03

| FIG. & ITEM | PART NO. | AIRLINE PART NUMBER | NOMENCLATURE | EFF CODE | QTY PER ASSY |
|-------------|------------|---------------------|--------------|---|--------------|
| 03-46N | 114T3212-6 | | .SPACER | B,D,F L,N, Q,S,U W,Y, AA-AC AE,AG AJ,A M-AP, BS-CT DC-DK DS-D X,E C-EF, EH,EK EM,EP ER,E T,E Z-FD, FH | 1 |

57-43-37

ILLUSTRATED PARTS LIST
 01.1 Page 1080V
 Jul 01/03

| FIG. & ITEM | PART NO. | AIRLINE PART NUMBER | NOMENCLATURE 1234567 | EFF CODE | QTY PER ASSY |
|-------------|------------|---------------------|-------------------------|---|--------------|
| 03-47 | 114T3213-1 | | .PAN | A,C, G-K,M ,P,T, X,AD, AF,AH AK,AH Q-BR, DL-DR ,DY, EA,EJ EN,EJ U-EY, FG | 1 |
| -47A | 114T3213-2 | | .PAN | B,D,L ,N,Q, U,Y,A A,AB, AE,AG AJ,AM ,AP,B S-CT, DS-DX ,EC EE,EK ,EP,E Z-FD, FH | 1 |
| 48 | 114T3187-1 | | .PAN | E,R,V ,Z,AL ,CU- DB,DZ ,EB,E G EL,EQ ,ES, FE,FJ | 1 |

57-43-37

| FIG. & ITEM | PART NO. | AIRLINE PART NUMBER | NOMENCLATURE | EFF CODE | QTY PER ASSY |
|-------------|---------------------------|---------------------|-----------------------|---|--------------|
| 03-49 | 114T3187-2 | | .PAN | F,S,W ,AC,A N,D C-DK, ED,EF EH,EM ,ER,E T | 1 |
| 50 55 | 114T3209-2 BACB30NN3K7 | | .SEAL-MOLDED .BOLT | A-D, K-Q,T ,U,X, AA,A D-AK, AM AQ-CT ,DL-D Y,EA, EC,EE ,EJ EK,EN ,EP,E U-FD, FG,FH E,F,R ,S,V, W,Z,A C,AL, AN CU-DK ,DZ, EB,ED ,EF-E H,EL EM,E Q-ET, FE,FJ | 1 2 |
| 57 | BACB30NN3K7 | | .BOLT | | 1 |

57-43-37

ILLUSTRATED PARTS LIST
01.1 Page 1080X
Jul 01/03

| FIG. & ITEM | PART NO. | AIRLINE PART NUMBER | NOMENCLATURE 1234567 | EFF CODE | QTY PER ASSY |
|-------------|--------------|---------------------|-------------------------|--|--------------|
| 03-60 | 114T3101-2 | | .WASHER | A-D, K-Q,T ,U,X, AA,A D-AK, AM AQ-CT ,DL-D Y,EA, EC,EE ,EJ EK,EN ,EP,E U-FD, FG,FH | 2 |
| 62 | 114T3101-2 | | .WASHER | E,F,R ,S,V, W,Z,A C,AL, AN CU-DK ,DZ, EB,ED ,EF-E H,EL EM,E Q-ET, FE,FF ,FJ,F K | 1 |
| 65 | BACB30NT3K10 | | .BOLT | A-D, K-Q,T ,U,X, AA,A D-AK, AM AQ-CT ,DL-D Y,EA, EC,EE ,EJ EK,EN ,EP,E U-FD, FG,FH | 10 |

57-43-37

| FIG. & ITEM | PART NO. | AIRLINE PART NUMBER | NOMENCLATURE | EFF CODE | QTY PER ASSY |
|-------------|---------------------------|---------------------|------------------|--|--------------|
| 03-67 | BACB30NT3K10 | | .BOLT | E, F, R , S, V, W, Z, A C, AL, AN CU-DK , DZ, EB, ED , EF-E H, EL EM, E Q-ET, FE, FF , FJ, F K | 9 |
| 70 75 | BACB30NT3K3 AN960PD10L | | .BOLT .WASHER | A-D, K-Q, T , U, X, AA, A D-AK, AM AQ-CT , DL-D Y, EA, EC, EE EU-FD EJ, EK , EN, E P, FG, FH | 44 54 |
| R -75A | NAS1149D0316J | | .WASHER | E, F, R , S, V, W, Z, A C, AL, AN CU-DK , DZ, EB, ED , EF | 54 |
| 77 | AN960PD10L | | .WASHER | | 53 |

57-43-37

 ILLUSTRATED PARTS LIST
 01.1 Page 1080Z
 Jul 01/03

| FIG. & ITEM | PART NO. | AIRLINE PART NUMBER | NOMENCLATURE | EFF CODE | QTY PER ASSY |
|-------------|---------------|---------------------|--------------------------------------|---|--------------|
| R 03-77A | NAS1149D0316J | | 1234567 .WASHER | EG, EH , EL, E M, E Q-ET, FE, FF FJ, FK A, B, G-J, M , N, Y, AB, AH , AJ AP-AX , BQ-B Z, CS, CT, EU , EY EZ, FA | 53 |
| 80 | 114T3203-12 | | .RETAINER- (USED ON ITEMS 1, 5) | A-D, K-Q, T , U, X, AA, A D-AK, AM AQ-CT , DL-D Y, EA, EC, EE , EJ EK, EN , EP, E U-FD, FG, FH | 1 |
| -80A | 114T4233-32 | | .RETAINER- (USED ON ITEMS 1A, 5A) | | AR |

57-43-37

| FIG. & ITEM | PART NO. | AIRLINE PART NUMBER | NOMENCLATURE | EFF CODE | QTY PER ASSY |
|--------------|----------------------------|---------------------|---|--|--------------|
| 03-82 82A | 114T3203-13 114T4233-32 | | DELETED .RETAINER | E, F, R , S, V, W, Z, A C, AL, AN CU-DK , DZ, EB, ED , EF-E H, EL EM, E Q-ET, FE, FF , FJ, F K | AR |
| 85 | 114T3203-11 | | .RETAINER- (USED ON ITEMS 1, 5) | A, B, G-J, M , N, Y, AB, AH , AJ AP-AX , BQ-B Z, CS, CT, EU , EV EZ, FA | 1 |
| -85A | 114T4233-32 | | .RETAINER- (USED ON ITEMS 1A, 1C, 1D, 5A, 5C, 5D) | | AR |

57-43-37

ILLUSTRATED PARTS LIST
 01.1 Page 1082
 Jul 01/03

| FIG. & ITEM | PART NO. | AIRLINE PART NUMBER | NOMENCLATURE 1234567 | EFF CODE | QTY PER ASSY |
|-------------|-------------|---------------------|---|--|--------------|
| 03-90 | 114T3203-10 | | .RETAINER- (USED ON ITEMS 1, 5) | A,B, G-J,M ,N,Y, AB,AH ,AJ AP-AX ,BQ-B Z,CS, CT,EU ,EV EZ,FA | 1 |
| -90A | 114T4233-32 | | .RETAINER- (USED ON ITEMS 1A, 1C, 1D, 5A, 5C, 5D) | | AR |
| 95 | 114T3203-9 | | .RETAINER- (USED ON ITEMS 1, 5) | A,B, G-J,M ,N,Y, AB,AH ,AJ AP-AX ,BQ-B Z,CS, CT,EU ,EV EZ,FA | 1 |
| -95A | 114T4233-32 | | .RETAINER- (USED ON ITEMS 1A, 1C, 1D, 5A, 5C, 5D) | | AR |
| 100 | 114T3203-8 | | .RETAINER- (USED ON ITEMS 1, 5) | A,B, G-J,M ,N,Y, AB,AH ,AJ AP-AX ,BQ-B Z,CS, CT,EU ,EV EA,FA | 1 |

57-43-37

ILLUSTRATED PARTS LIST
 01.1 Page 1082A
 Jul 01/03

| FIG. & ITEM | PART NO. | AIRLINE PART NUMBER | NOMENCLATURE 1234567 | EFF CODE | QTY PER ASSY |
|--------------|-------------|---------------------|---|--|--------------|
| 03- -100A | 114T4233-32 | | .RETAINER- (USED ON ITEMS 1A, 1C, 1D, 5A, 5C, 5D) | | AR |
| 105 | 114T3203-7 | | .RETAINER- (USED ON ITEMS 1, 5) | A,B, G-J,M ,N,Y, AB,AH ,AJ AP-AX ,BQ-B Z,CS, CT,EU ,EV EZ,FA | 1 |
| -105A | 114T4233-32 | | .RETAINER- (USED ON ITEMS 1A, 1C, 1D, 5A, 5C, 5D) | | AR |
| 110 | 114T3203-6 | | .RETAINER- (USED ON ITEMS 1, 5) | A,B, G-J,M ,N,Y, AB,AH ,AJ AP-AX ,BQ-B Z,CS, CT,EU ,EV EZ,FA | 1 |
| -110A | 114T4233-32 | | .RETAINER- (USED ON ITEMS 1A, 1C, 1D, 5A, 5C, 5D) | | AR |
| 115 | 114T3203-5 | | .RETAINER- (USED ON ITEMS 1, 5) | A,B, G-J,M ,N,Y, AB,AH ,AJ AP-AX ,BQ-B Z,CS, CT,EU ,EV EA,FA | 1 |
| -115A | 114T4233-32 | | .RETAINER- (USED ON ITEMS 1A, 1C, 1D, 5A, 5C, 5D) | | AR |

57-43-37

 ILLUSTRATED PARTS LIST
 01.1 Page 1082B
 Jul 01/03

| FIG. & ITEM | PART NO. | AIRLINE PART NUMBER | NOMENCLATURE 1234567 | EFF CODE | QTY PER ASSY |
|-------------|-------------|---------------------|---|--|--------------|
| 03-120 | 114T3203-4 | | .RETAINER- (USED ON ITEMS 1, 5) | A,B, G-J,M ,N,Y, AB,AH ,AJ AP-AX ,BQ-B Z,CS, CT,EU ,EV EZ,FA | 1 |
| -120A | 114T4233-32 | | .RETAINER- (USED ON ITEMS 1A, 1C, 1D, 5A, 5C, 5D) | | AR |
| 125 | 114T3203-3 | | .RETAINER- (USED ON ITEMS 1, 5) | A,B, G-J,M ,N,Y, AB,AH ,AJ AP-AX ,BQ-B Z,CS, CT,EU ,EV EA,FA | 1 |
| -125A | 114T4233-32 | | .RETAINER- (USED ON ITEMS 1A, 1C, 1D, 5A, 5C, 5D) | | AR |
| -130 | 114T3203-2 | | .RETAINER- (USED ON ITEM 5) | B,N,Y ,AB,A J,AP, BS-BZ ,CS CT,EZ ,FA | 1 |

57-43-37

| FIG. & ITEM | PART NO. | AIRLINE PART NUMBER | NOMENCLATURE | EFF CODE | QTY PER ASSY |
|-------------|-------------|---------------------|--|--|--------------|
| 03-130A | 114T4233-32 | | .RETAINER- (USED ON ITEMS 5A, 5C, 5D) | B,D,F ,L,N, Q,S,U ,W,Y, AA-AC AE,AG ,AJ,A M-AP, BS-CT DC-DK ,DS-D X,E C-EF, EH,EK EM,EP ,ER,E T,E Z-FD, FF,FH FH,FH | AR |

57-43-37

ILLUSTRATED PARTS LIST
 01.1 Page 1082D
 Jul 01/03

| FIG. & ITEM | PART NO. | AIRLINE PART NUMBER | NOMENCLATURE | EFF CODE | QTY PER ASSY |
|-------------|-------------|---------------------|---|--|--------------|
| 03-135 | 114T3203-1 | | .RETAINER- (USED ON ITEM 1) | A,G-J ,M,AH ,AQ-A X,BQ, BR EU,EV | 1 |
| -135A | 114T4233-32 | | .RETAINER- (USED ON ITEMS 1A, 1C, 1D) | A,C,E ,G-K, M,P,R ,T,V, X,Z AD,AF ,AH,A K,AL, AQ-BR CU-DB ,DL-D R,D Y-EB, EG,EJ EL,EN ,EQ,E S,E U-EY, FE,FG FJ,FG | AR |
| 140 | 114T3202-3 | | .SEAL-BULB (114T3202-7 MAY REPLACE 114T3202-3 FOR CF6-80C2 ENGINE CONFIGURATION) (MFD FROM EXTR RUBBER F25.01 10-60754-319 65.10 IN.) | A,C, G-K,M ,P,T, X,AD, AF,AH AK,AH Q-BR, DL-DR ,DY, EA EU-EX | 1 |

57-43-37

| FIG. & ITEM | PART NO. | AIRLINE PART NUMBER | NOMENCLATURE 1234567 | EFF CODE | QTY PER ASSY |
|-------------|-------------|---------------------|--|--|--------------|
| R 03-141 | 114T3202-23 | | .SEAL ASSY-BULB (MFD FROM EXTR RUBBER F25.01 10-60754-319 65.10 IN.) | EJ,EN ,FG | 1 |
| R 141E | 114T3202-3 | | ..SEAL-BULB (114T3202-7 MAY REPLACE 114T3202-3 FOR CF6-80C2 ENGINE CONFIGURATION) (MFD FROM EXTR RUBBER F25.01 10-60754-319 65.10 IN.) | EJ,EN ,FG | 1 |
| R 141K | 114T3202-30 | | ..INSERT | EJ,EN ,FG | 1 |
| 142 | 114T3202-7 | | .SEAL-BULB (114T3202-7 MAY REPLACE 114T3202-3 FOR CF6-80C2 ENGINE CONFIGURATION) (MFD FROM EXTR RUBBER F25.01 10-60754-319 57.2 IN.) | E,R,V ,Z,AL ,CU- DB,DZ ,EB | 1 |
| R 143 | 114T3202-27 | | .SEAL ASSY-BULB (MFD FROM EXTR RUBBER F25.01 10-60754-319 57.2 IN.) | EG,EL ,EQ,E S,FE, FJ | 1 |
| R 144 | 114T3202-7 | | ..SEAL-BULB (MFD FROM EXTR RUBBER F25.01 10-60754-319 57.2 IN.) | EG,EL ,EQ,E S,FE, FJ | 1 |
| R 144E | 114T3202-32 | | ..INSERT | EG,EL ,EQ,E S,FE, FJ | 1 |
| -145 | 114T3202-4 | | .SEAL-BULB (114T3202-8 MAY REPLACE 114T3202-4 FOR CF6-80C2 ENGINE CONFIGURATION) (MFD FROM EXTR RUBBER F25.01 10-60754-319 65.10 IN.) | B,D,L ,N,Q, U,Y,A A,AB, AE,AG AJ,AM ,AP,B S-CT, DS-DX ,EC EE,E Z-FD | 1 |

57-43-37

 ILLUSTRATED PARTS LIST
 01.1 Page 1082F
 Jul 01/03

| FIG. & ITEM | PART NO. | AIRLINE PART NUMBER | NOMENCLATURE 1234567 | EFF CODE | QTY PER ASSY |
|-------------|-------------|---------------------|--|---|--------------|
| R 03-146 | 114T3202-24 | | .SEAL ASSY-BULB (MFD FROM EXTR RUBBER F25.01 10-60754-319 65.10 IN.) | EK,EP ,FH | 1 |
| R -146E | 114T3202-4 | | ..SEAL-BULB (MFD FROM EXTR RUBBER F25.01 10-60754-319 65.10 IN.) | EK,EP ,FH | 1 |
| R -146K | 114T3202-30 | | ..INSERT | EK,EP ,FH | 1 |
| -147 | 114T3202-8 | | .SEAL-BULB (114T3202-8 MAY REPLACE 114T3202-4 FOR CF6-80C2 ENGINE CONFIGURATION) (MFD FROM EXTR RUBBER F25.01 10-60754-319 57.2 IN.) | F,S,W ,AC,A N,D C-DK, ED,EF | 1 |
| R -148 | 114T3202-28 | | .SEAL ASSY-BULB (MFD FROM EXTR RUBBER F25.01 10-60754-319 57.2 IN.) | EH,EM ,ER,E T,FF, FK | 1 |
| R -149 | 114T3202-8 | | ..SEAL-BULB (MFD FROM EXTR RUBBER F25.01 10-60754-319 57.2 IN.) | | 1 |
| R -149E | 114T3202-32 | | ..INSERT | EH,EM ,ER,E T,FF, FK | 1 |
| 150 | 114T3202-5 | | .SEAL-BULB (MFD FROM EXTR RUBBER F25.01 10-60754-319 72.80 IN.) | | 1 |
| R 151 | 114T3202-25 | | .SEAL ASSY-BULB (MFD FROM EXTR RUBBER F25.01 10-60754-319 72.80 IN.) | EG-ET ,FE-F H | 1 |
| R 152 | 114T3202-5 | | ..SEAL-BULB (MFD FROM EXTR RUBBER F25.01 10-60754-319 72.80 IN.) | EG-ET ,FE-F H | 1 |
| R 153 | 114T3202-31 | | ..INSERT | EG-ET ,FE-F H | 1 |

57-43-37

| FIG. & ITEM | PART NO. | AIRLINE PART NUMBER | NOMENCLATURE 1234567 | EFF CODE | QTY PER ASSY |
|-------------|-------------|---------------------|---|--|--------------|
| 03-155 | 114T3202-1 | | .SEAL-BULB (MFD FROM EXTR RUBBER F25.01 10-60754-319 63.20 IN.) | A,C, G-K,M ,P,T, X,AD, AF,AH AK,AH Q-BR, DL-DR ,DY- EB EU-EY EG,EJ ,EL,E N,EQ, ES,FE ,FG FJG | 1 |
| R 156 | 114T3202-21 | | .SEAL ASSY-BULB (MFD FROM EXTR RUBBER F25.01 10-60754-319 63.20 IN.) | EG,EJ ,EL,E N,EQ, ES,FE ,FG FJG | 1 |
| R 157 | 114T3202-1 | | ..SEAL-BULB (MFD FROM EXTR RUBBER F25.01 10-60754-319 63.20 IN.) | EG,EJ ,EL,E N,EQ, ES,FE ,FG FJG | 1 |
| R 158 | 114T3202-29 | | ..INSERT | EG,EJ ,EL,E N,EQ, ES,FE ,FG FJG | 1 |
| -160 | 114T3202-2 | | .SEAL-BULB (MFD FROM EXTR RUBBER F25.01 10-60754-319 63.20 IN.) | B,D,L ,N,Q, U,Y,A A,AB, AE,AG AJ,AP ,BS-C T,D S-DX, EC-EF EZ-FD | 1 |

57-43-37

 ILLUSTRATED PARTS LIST
 01.1 Page 1082H
 Jul 01/03

| FIG. & ITEM | PART NO. | AIRLINE PART NUMBER | NOMENCLATURE 1234567 | EFF CODE | QTY PER ASSY |
|-------------|-------------|---------------------|---|--|--------------|
| R 03-161 | 114T3202-22 | | .SEAL ASSY-BULB (MFD FROM EXTR RUBBER F25.01 10-60754-319 63.20 IN.) | EH,EK ,EM,E P,ER, ET,FF ,FH FKH | 1 |
| R -162 | 114T3202-2 | | ..SEAL-BULB (MFD FROM EXTR RUBBER F25.01 10-60754-319 63.20 IN.) | EH,EK ,EM,E P,ER, ET,FF ,FK | 1 |
| R -163 | 114T3202-29 | | ..INSERT | EH,EK ,EM,E P,ER, ET,FH | 1 |
| 165 | 114T3201-5 | | .SUPPORT ASSY-SPANWISE (USED ON ITEM 1) | A,G-J ,M,AH ,AQ-A X,BQ, BR EU,EV | 1 |
| 170 | 114T3201-27 | | .SUPPORT ASSY-SPANWISE (USED ON ITEM 1A) | A,C, G-K,M ,P,T, X,AD, AF,AH AK,AH Q-BR, DL-DR ,DY, EA,EJ EN,EJ U-EY, FG | 1 |
| -170A | 114T3201-43 | | .SUPPORT ASSY-SPANWISE | DZ,EB ,EG,E L,EQ, ES,FE ,FJ | 1 |

57-43-37

| FIG. & ITEM | PART NO. | AIRLINE PART NUMBER | NOMENCLATURE 1234567 | EFF CODE | QTY PER ASSY |
|-------------|-------------|---------------------|--|---|--------------|
| 03-172 | 114T3201-35 | | .SUPPORT ASSY-SPANWISE (VARIABLE) | E,R,V ,Z,AL ,CU-DB | 1 |
| -175 | 114T3201-6 | | .SUPPORT ASSY-SPANWISE (USED ON ITEM 5) | B,N,Y ,AB,A ,J,AP, BS-BZ ,CS CT,EZ ,FA | 1 |
| -180 | 114T3201-28 | | .SUPPORT ASSY-SPANWISE (USED ON ITEM 5A) | B,D,L ,N,Q, U,Y,A A,AB, AE,AG AJ,AM ,AP,B S-CT, DS-DX ,EC EE,EK ,EP,E Z-FD, FH | 1 |
| -180A | 114T3201-44 | | .SUPPORT ASSY-SPANWISE | ED,EF ,EH,E M,ER, ET,FF ,FK | 1 |

57-43-37

 ILLUSTRATED PARTS LIST
 01.1 Page 1082J
 Jul 01/03

| FIG. & ITEM | PART NO. | AIRLINE PART NUMBER | NOMENCLATURE 1234567 | EFF CODE | QTY PER ASSY |
|-------------|-------------|---------------------|--------------------------------------|--|--------------|
| 03- -182 | 114T3201-36 | | .SUPPORT ASSY-SPANWISE (VARIABLE) | F,S,W ,AC,A N,D C-DK | 1 |
| 185 | BACB30NT3K3 | | ATTACHING PARTS .BOLT | A-D, G-Q,T ,U,X, Y,AA, AB AD-AK ,AP-C T,D L-DY, EA,EC EE,EJ ,EK,E N,EP, EU-FD ,FG FHG | 36 |
| 187 | BACB30NT3K3 | | .BOLT | E,F,R ,S,V, W,Z,A C,AL, AN CU-DK ,DZ, EB,ED ,EF-E | 34 |

57-43-37

| FIG. & ITEM | PART NO. | AIRLINE PART NUMBER | NOMENCLATURE | EFF CODE | QTY PER ASSY |
|-------------|---------------|---------------------|------------------------|---|--------------|
| 03- | | | 1234567 | | |
| 190 | AN960PD10L | | . WASHER | H,EL EM,E Q-ET, FF,FK A-D, G-Q,T ,U,X, Y,AA, AB AD-AK ,AP-C T,D L-DY, EA,EC EE,EC U-FD EJ,EK ,EN,E P,FG, FH E,F,R ,S,V, W,Z,A C,AL, AN CU-DK ,DZ, EB,ED ,EF EG,EH ,EL,E M,E Q-ET, FE,FF FJ,FK | 36 |
| R -190A | NAS1149D0316J | | . WASHER | | 36 |
| 192 | AN960PD10L | | . WASHER | | 34 |
| R -192A | NAS1149D0316J | | . WASHER -----* | | 34 |

57-43-37

 ILLUSTRATED PARTS LIST
 01.1 Page 1082L
 Jul 01/03

| FIG. & ITEM | PART NO. | AIRLINE PART NUMBER | NOMENCLATURE 1234567 | EFF CODE | QTY PER ASSY |
|-------------|-------------|---------------------|--------------------------------------|---|--------------|
| 03-195 | BACR15BA3AD | | ..RIVET- (SIZE DETERMINE ON INST) | | 15 |
| 200 | 114T3201-15 | | ..FILLER | A,C, G-K,M ,P,T, X,AD, AF,AH AK,AH Q-BR, DL-DR ,DY, EA,EJ EN,EJ U-EY, FG | 1 |
| 202 | 114T3201-41 | | ..FILLER | E,R,V ,Z,AL ,CU- DB,DZ ,EB,E G EL,EQ ,ES, FE,FJ | 1 |
| -205 | 114T3201-16 | | ..FILLER | B,D,L ,N,Q, U,Y,A A,AB, AE,AG AJ,AM ,AP,B S-CT, DS-DX ,EC EE,EK ,EP,E Z-FD, FH | 1 |

57-43-37

| FIG. & ITEM | PART NO. | AIRLINE PART NUMBER | NOMENCLATURE 1234567 | EFF CODE | QTY PER ASSY |
|-------------|-------------|---------------------|-------------------------|--|--------------|
| 03-207 | 114T3201-42 | | ..FILLER | F,S,W ,AC,A N,D C-DK, ED,EF EH,EM ,ER,E T,FF, FK | 1 |
| 210 | 114T3201-17 | | ..FILLER | A,C, G-K,M ,P,T, X,AD, AF,AH AK,AH Q-BR, DL-DR ,DY, EA,EJ EN,EJ U-EY, FG | 1 |
| 212 | 114T3201-37 | | ..FILLER | E,R,V ,Z,AL ,CU- DB,DZ ,EB,E G EL,EQ ,ES, FE,FJ | 1 |

57-43-37

 ILLUSTRATED PARTS LIST
 01.1 Page 1082N
 Jul 01/03

| FIG. & ITEM | PART NO. | AIRLINE PART NUMBER | NOMENCLATURE 1234567 | EFF CODE | QTY PER ASSY |
|-------------|-------------|---------------------|-------------------------|--|--------------|
| 03- -215 | 114T3201-18 | | .. FILLER | B,D,L ,N,Q, U,Y,A A,AB, AE,AG AJ,AM ,AP,B S-CT, DS-DX ,EC EE,EK ,EP,E Z-FD, FH | 1 |
| -217 | 114T3201-38 | | .. FILLER | F,S,W ,AC,A N,D C-DK, ED,EF EH,EM ,ER,E T,FF, FK | 1 |
| 220 | 114T3201-19 | | .. FILLER | A,C,E ,G-K, M,P,R ,T,V, X,Z AD,AF ,AH,A K,AL, AQ-BR CU-DB ,DL-D R,D Y-EB, EG,EJ EL,EN ,EQ,E S,E U-EY, FE,FG FJ,FG | 1 |

57-43-37

| FIG. & ITEM | PART NO. | AIRLINE PART NUMBER | NOMENCLATURE | EFF CODE | QTY PER ASSY |
|-------------|-------------|---------------------|---------------------|--|--------------|
| 03- -225 | 114T3201-20 | | 1234567 ..FILLER | B,D,F ,L,N, Q,S,U ,W,Y, AA-AC AE,AG ,AJ,A M-AP, BS-CT DC-DK ,DS-D X,E C-EF, EH,EK EM,EP ,ER,E T,E Z-FD, FF,FH FK,FH A,C,E ,G-K, M,P,R ,T,V, X,Z AD,AF ,AH,A K,AL, AQ-BR CU-DB ,DL-D R,D Y-EB, EG,EJ EL,EN ,EQ,E S,E U-EY, FE,FG FJ,FG | 1 |
| 230 | 114T3201-21 | | ..FILLER | | 1 |

57-43-37

ILLUSTRATED PARTS LIST
 01.1 Page 1082P
 Jul 01/03

| FIG. & ITEM | PART NO. | AIRLINE PART NUMBER | NOMENCLATURE 1234567 | EFF CODE | QTY PER ASSY |
|-------------|-------------|---------------------|--|--|--------------|
| 03- -235 | 114T3201-22 | | ..FILLER | B,D,F ,L,N, Q,S,U ,W,Y, AA-AC AE,AG ,AJ,A M-AP, BS-CT DC-DK ,DS-D X,E C-EF, EH,EK EM,EP ,ER,E T,E Z-FD, FF,FH FK,FH | 1 |
| 240 | BACR15BB3AD | | ..RIVET- (SIZE DETERMINE ON INST) | | 12 |
| 245 | BRFM20A3 | | ..NUTPLATE- (V52828) (SPEC BACN10JN3) (OPT MF1000-3BAC (V15653)) (OPT NS103218-02 (V80539)) (OPT RMF9201M3 (V72962)) (OPT VN252A02 (V92215)) (OPT MF1000-3BAC (V15653)) (OPT MF53049-3 (V15653)) | | 6 |

57-43-37

| FIG. & ITEM | PART NO. | AIRLINE PART NUMBER | NOMENCLATURE 1234567 | EFF CODE | QTY PER ASSY |
|-------------|-------------|---------------------|----------------------------------|--|--------------|
| 03-250 | 114T3201-11 | | ..SUPPORT- (USED ON ITEM 165) | A,G-J ,M,AH ,AQ-A X,BQ, BR EU,EV | 1 |
| 255 | 114T3201-33 | | ..SUPPORT- (USED ON ITEM 170) | A,C, G-K,M ,P,T, X,AD, AF,AH AK,AH Q-BR, DL-DR ,DY, EA,EJ EN,EJ U-EY, FG | 1 |
| 257 | 114T3201-39 | | ..SUPPORT | E,R,V ,Z,AL ,CU- DB,DZ ,EB,E G EL,EQ ,ES, FE,FJ | 1 |
| -260 | 114T3201-12 | | ..SUPPORT- (USED ON ITEM 175) | B,N,Y ,AB,A J,AP, BS-BZ ,CS CT,EZ ,FA | 1 |

57-43-37

ILLUSTRATED PARTS LIST
01.1 Page 1082R
Jul 01/03

| FIG. & ITEM | PART NO. | AIRLINE PART NUMBER | NOMENCLATURE 1234567 | EFF CODE | QTY PER ASSY |
|-------------|-------------|---------------------|---|---|--------------|
| 03- -265 | 114T3201-34 | | ..SUPPORT- (USED ON ITEM 180) | B,D,L ,N,Q, U,Y,A A,AB, AE,AG AJ,AM ,AP,B S-CT, DS-DX ,EC EE,EK ,EP,E Z-FD, FH | 1 |
| 267 | 114T3201-40 | | ..SUPPORT | F,S,W ,AC,A N,D C-DK, ED,EF EH,EM ,ER,E T,FF, FK | 1 |
| 270 | 114T3201-3 | | .SUPPORT ASSY-SPANWISE SEAL (USED ON ITEM 1) | A,G-J ,M,AH ,AQ-A X,BQ, BR EU,EV | 1 |

57-43-37

| FIG. & ITEM | PART NO. | AIRLINE PART NUMBER | NOMENCLATURE 1234567 | EFF CODE | QTY PER ASSY |
|-----------------|-------------|---------------------|--|--|--------------|
| 03-275 | 114T3201-25 | | .SUPPORT ASSY-SPANWISE SEAL (USED ON ITEM 1A) | A,C,E ,G-K, M,P,R ,T,V, X,Z AD,AF ,AH,A K,AL, AQ-BR DL-DR ,DY- EB,EG ,EJ,E L,EN EQ,ES ,EU-E Y,FE, FG,FJ | 1 |
| -280 | 114T3201-4 | | .SUPPORT ASSY-SPANWISE SEAL (USED ON ITEM 5) | B,N,Y ,AB,A J,AP, BS-BZ ,CS CT,EZ ,FA | 1 |
| -285 | 114T3201-26 | | .SUPPORT ASSY-SPANWISE SEAL (USED ON ITEM 5A) | B,D,F ,L,N, Q,S,U ,W,Y, AA-AC AE,AG ,AJ,A M-AP, BS-CT DS-DX ,EC-E F,EH, EK,EM ,EP ER,ET ,EZ- FD,FF ,FH,F K | 1 |
| ATTACHING PARTS | | | | | |

57-43-37

ILLUSTRATED PARTS LIST
01.1 Page 1082T
Jul 01/03

| FIG. & ITEM | PART NO. | AIRLINE PART NUMBER | NOMENCLATURE 1234567 | EFF CODE | QTY PER ASSY |
|-------------|-------------|---------------------|---|---|--------------|
| 03- | | | | | |
| 290 | BACB30NN3K6 | | .BOLT | | 1 |
| 295 | 114T3101-1 | | .WASHER | | 1 |
| 300 | BACB30NT3K3 | | .BOLT | | 43 |
| 305 | AN960PD10L | | .WASHER | | 43 |
| | | | -----*----- | | |
| 310 | BACR15BB3AD | | ..RIVET- (SIZE DETERMINE ON INST) | | 42 |
| 315 | BRFM20A3 | | ..NUT- (V52828) (SPEC BACN10JN3) (OPT MF1000-3BAC (V15653)) (OPT NS103218-02 (V80539)) (OPT RMF9201M3 (V72962)) (OPT VN252A02 (V92215)) (OPT MF1000-3BAC (V15653)) (OPT MF53049-3 (V15653)) | | 21 |
| 320 | BACR15BA3AD | | ..RIVET- (SIZE DETERMINE ON INST) | | 16 |
| 325 | BACR15BB4AD | | ..RIVET- (SIZE DETERMINE ON INST) | | 16 |
| 330 | 114T3205-4 | | ..BRACKET | | 8 |
| 335 | 114T3201-9 | | ..SUPPORT- (USED ON ITEM 270) | A,G-J ,M,AH ,AQ-A X,BQ, BR EU,EV | 1 |

57-43-37

| FIG. & ITEM | PART NO. | AIRLINE PART NUMBER | NOMENCLATURE 1234567 | EFF CODE | QTY PER ASSY |
|-------------|-------------|---------------------|----------------------------------|--|--------------|
| 03-340 | 114T3201-31 | | ..SUPPORT- (USED ON ITEM 275) | A,C,E ,G-K, M,P,R ,T,V, X,Z AD,AF ,AH,A K,AL, AQ-BR DL-DR ,DY- EB,EG ,EJ,E L,EN EQ,ES ,EU-E Y,FE, FG,FJ | 1 |
| -345 | 114T3201-10 | | ..SUPPORT- (USED ON ITEM 280) | B,N,Y ,AB,A J,AP, BS-BZ ,CS CT,EZ ,FA | 1 |
| -350 | 114T3201-32 | | ..SUPPORT- (USED ON ITEM 285) | B,D,F ,L,N, Q,S,U ,W,Y, AA-AC AE,AG ,AJ,A M-AP, BS-CT DS-DX ,EC-E F,EH, EK,EM ,EP ER,ET ,EZ- FD,FF ,FH,F K | 1 |

57-43-37

ILLUSTRATED PARTS LIST
 01.1 Page 1082V
 Jul 01/03

015T0165
 015T1507
 114T3100
 DASH NUMBERS LIMITED

 **BOEING**
 COMPONENT
 MAINTENANCE MANUAL

| FIG. & ITEM | PART NO. | AIRLINE PART NUMBER | NOMENCLATURE 1234567 | EFF CODE | QTY PER ASSY |
|-------------|-------------|---------------------|--|--|--------------|
| 03-355 | 114T3201-1 | | .SUPPORT ASSY-SPANWISE SEAL (USED ON ITEM 1) | A,G-J ,M,AH ,AQ-A X,BQ, BR EU,EV | 1 |
| 360 | 114T3201-23 | | .SUPPORT ASSY-SPANWISE SEAL (USED ON ITEM 1A) | A,C,E ,G-K, M,P,R ,T,V, X,Z AD,AF ,AH,A K,AL, AQ-BR DL-DR ,DY- EB,EG ,EJ,E L,EN EQ,ES ,EU-E Y,FE, FG,FJ | 1 |
| -365 | 114T3201-2 | | .SUPPORT ASSY-SPANWISE SEAL (USED ON ITEM 5) | B,N,Y ,AB,A J,AP, BS-BZ ,CS CT,EZ ,FA | 1 |

57-43-37

ILLUSTRATED PARTS LIST
 01.1 Page 1082W
 Jul 01/03

| FIG. & ITEM | PART NO. | AIRLINE PART NUMBER | NOMENCLATURE | EFF CODE | QTY PER ASSY |
|-------------|-------------|---------------------|--|--|--------------|
| 03-370 | 114T3201-24 | | .SUPPORT ASSY-SPANWISE SEAL (USED ON ITEM 5A) | B,D,F ,L,N, Q,S,U ,W,Y, AA-AC AE,AG ,AJ,A M-AP, BS-CT DS-DX ,EC-E F,EH, EK,EM ,EP ER,ET ,EZ- FD,FF ,FH,F K | 1 |
| 375 | BACB30NN3K6 | | ATTACHING PARTS .BOLT | | 1 |
| 380 | 114T3101-1 | | .WASHER | | 1 |
| 385 | BACB30NT3K3 | | .BOLT | | 37 |
| 390 | AN960PD10L | | .WASHER -----* | | 37 |
| 395 | BACR15BA3AD | | ..RIVET- (SIZE DETERMINE ON INST) | | 2 |
| 400 | 114T3201-13 | | ..FILLER | A,C,E ,G-K, M,P,R ,T,V, X,Z AD,AF ,AH,A K,AL, AQ-BR CU-DB ,DL-D | 1 |

57-43-37

ILLUSTRATED PARTS LIST
01.1 Page 1082X
Jul 01/03

015T0165
 015T1507
 114T3100
 DASH NUMBERS LIMITED

 **BOEING**
 COMPONENT
 MAINTENANCE MANUAL

| FIG. & ITEM | PART NO. | AIRLINE PART NUMBER | NOMENCLATURE | EFF CODE | QTY PER ASSY |
|-------------|-------------|---------------------|--------------|---|--------------|
| 03- | | | 1234567 | | |
| -405 | 114T3201-14 | | ..FILLER | R,D Y-EB, EG,EJ EL,EN ,EQ,E S,E U-EY, FE,FG FJ,FG B,D,F ,L,N, Q,S,U ,W,Y, AA-AC AE,AG ,AJ,A M-AP, BS-CT DC-DK ,DS-D X,E C-EF, EH,EK EM,EP ,ER,E T,E Z-FD, FF,FH FK,FH | 1 |

57-43-37

ILLUSTRATED PARTS LIST
 01.1 Page 1082Y
 Jul 01/03

| FIG. & ITEM | PART NO. | AIRLINE PART NUMBER | NOMENCLATURE 1234567 | EFF CODE | QTY PER ASSY |
|-------------|-------------|---------------------|--------------------------------------|--|--------------|
| 03-410 | BACR15BA3AD | | ..RIVET- (SIZE DETERMINE ON INST) | | 10 |
| 415 | BACR15BB4AD | | ..RIVET- (SIZE DETERMINE ON INST) | | 10 |
| 420 | 114T3205-3 | | ..BRACKET | A,C,E ,G-K, M,P,R ,T,V, X,Z AD,AF ,AH,A K,AL, AQ-BR CU-DB ,DL-D R,D Y-EB, EG,EJ EL,EN ,EQ,E S,E U-EY, FE,FG FJ,FG B,D,F ,L,N, Q,S,U ,W,Y, AA-AC AE,AG ,AJ,A M-AP, BS-CT DC-DK ,DS-D X,E C-EF, EH,EK EM,EP ,ER,E T,E Z-FD, FF,FH FK,FH | 5 |
| -425 | 114T3205-4 | | ..BRACKET | | 5 |

57-43-37

ILLUSTRATED PARTS LIST
 01.1 Page 1082Z
 Jul 01/03

| FIG. & ITEM | PART NO. | AIRLINE PART NUMBER | NOMENCLATURE 1234567 | EFF CODE | QTY PER ASSY |
|-------------|-------------|---------------------|--|--|--------------|
| 03-430 | BACR15BB3AD | | ..RIVET- (SIZE DETERMINE ON INST) | | 38 |
| 435 | BRFM20A3 | | ..NUTPLATE- (V52828) (SPEC BACN10JN3) (OPT MF1000-3BAC (V15653)) (OPT NS103218-02 (V80539)) (OPT RMF9201M3 (V72962)) (OPT VN252A02 (V92215)) (OPT MF1000-3BAC (V15653)) (OPT MF53049-3 (V15653)) | | 19 |
| 440 | 114T3201-7 | | ..SUPPORT- (USED ON ITEM 355) | A,G-J ,M,AH ,AQ-A X,BQ, BR EU,EV | 1 |
| 445 | 114T3201-29 | | ..SUPPORT- (USED ON ITEM 360) | A,C,E ,G-K, M,P,R ,T,V, X,Z AD,AF ,AH,A K,AL, AQ-BR DL-DR ,DY- EB,EG ,EJ,E L,EN EQ,ES ,EU-E Y,FE, FG,FJ | 1 |

57-43-37

| FIG. & ITEM | PART NO. | AIRLINE PART NUMBER | NOMENCLATURE 1234567 | EFF CODE | QTY PER ASSY |
|-------------|-------------|---------------------|----------------------------------|--|--------------|
| 03-450 | 114T3201-8 | | ..SUPPORT- (USED ON ITEM 365) | B,N,Y ,AB,A J,AP, BS-BZ ,CS CT,EZ ,FA | 1 |
| -455 | 114T3201-30 | | ..SUPPORT- (USED ON ITEM 370) | B,D,F ,L,N, Q,S,U ,W,Y, AA-AC AE,AG ,AJ,A M-AP, BS-CT DS-DX ,EC-E F,EH, EK,EM ,EP ER,ET ,EZ- FD,FF ,FH,F K | 1 |
| 460 | BACB30NN3K5 | | .BOLT | | 17 |

57-43-37

ILLUSTRATED PARTS LIST
 01.1 Page 1084
 Jul 01/03

015T0165
 015T1507
 114T3100
 DASH NUMBERS LIMITED

 **BOEING**
 COMPONENT
 MAINTENANCE MANUAL

| FIG. & ITEM | PART NO. | AIRLINE PART NUMBER | NOMENCLATURE 1234567 | EFF CODE | QTY PER ASSY |
|-------------|-------------|---------------------|--------------------------------------|--|--------------|
| 03-465 | 114T3204-1 | | .SEAL-BLADE | | 1 |
| 470 | 114T3206-1 | | .RETAINER ASSY-END SEAL | A,C,E ,G-K, M,P,R ,T,V, X,Z AD,AF ,AH,A K,AL, AQ-BR CU-DB ,DL-D R,D Y-EB, EG,EJ EL,EN ,EQ,E S,E U-EY | 1 |
| R -470A | 114T3206-19 | | .RETAINER ASSY-END SEAL | FE,FG | 1 |
| -475 | 114T3206-2 | | .RETAINER ASSY-END SEAL | ,FJ B,D,F ,L,N, Q,S,U ,W,Y, AA-AC AE,AG ,AJ,A M-AP, BS-CT DC-DK ,DS-D X,E C-EF, EH,EK EM,EP ,ER,E T,E Z-FD | 1 |
| R -475A | 114T3206-20 | | .RETAINER ASSY-END SEAL | FF,FK | 1 |
| 480 | BACR15BA3AD | | ..RIVET- (SIZE DETERMINE ON INST) | | 34 |

57-43-37

ILLUSTRATED PARTS LIST
 01.1 Page 1084A
 Jul 01/03

| FIG. & ITEM | PART NO. | AIRLINE PART NUMBER | NOMENCLATURE | EFF CODE | QTY PER ASSY |
|-------------|--------------------------|---------------------|---|--|--------------|
| 03-485 | BRFM20A3 | | 1234567 ..NUTPLATE- (V52828) (SPEC BACN10JN3) (OPT MF1000-3BAC (V15653)) (OPT NS103218-02 (V80539)) (OPT RMF9201M3 (V72962)) (OPT VN252A02 (V92215)) (OPT MF1000-3BAC (V15653)) (OPT MF53049-3 (V15653)) | | 3 |
| 490 495 | BACN10JQ32 114T3206-3 | | ..NUTPLATE ..RETAINER | A,C, G-K,M ,P,R, T,V,A D,AH AK,A Q-BR, DL-DR ,DY- EB,EG EJ,EL ,EN,E Q,ES, EU-EY | 14 1 |

57-43-37

| FIG. & ITEM | PART NO. | AIRLINE PART NUMBER | NOMENCLATURE 1234567 | EFF CODE | QTY PER ASSY |
|-------------|-------------|---------------------|--|--|--------------|
| R 03-495A | 114T3206-21 | | ..RETAINER | FE,FG ,FJ | 1 |
| -500 | 114T3206-4 | | ..RETAINER | B,D,L ,N,Q, S,U,W ,Y,AB ,AF AJ,AM ,AP,B S-CT, DS-DX EC-EF ,EH,E K,EM, EP,ER ,ET EZ-FD FF,FH ,FK | 1 |
| R -500A | 114T3206-22 | | ..RETAINER | | 1 |
| 505 | BACB30NT3K4 | | .BOLT | | 2 |
| 510 | AN960PD10L | | .WASHER | | 2 |
| 515 | 114T3211-5 | | .RETAINER | | 1 |
| 520 | 114T3210-1 | | .SEAL-END (MFD FROM EXTR RUBBER F25.01 10-60754-319 3.10 IN.) | A,C,E ,G-K, M,P,R ,T,V, X,Z AD,AF ,AH,A K,AL, AQ-BR CU-DB ,DL-D R,D Y-EB, EG,EJ EL,EN ,EQ,E S,E U-EY, FE,FG FJ,FG | 1 |

57-43-37

| FIG. & ITEM | PART NO. | AIRLINE PART NUMBER | NOMENCLATURE | EFF CODE | QTY PER ASSY |
|-------------|------------|---------------------|--|--|--------------|
| 03-525 | 114T3210-2 | | .SEAL-END (MFD FROM EXTR RUBBER F25.01 10-60754-319 3.10 IN.) | B,D,F ,L,N, Q,S,U ,W,Y, AA-AC AE,AG ,AJ,A M-AP, BS-CT DC-DK ,DS-D X,E C-EF, EH,EK EM,EP ,ER,E T,EZ, FD,FF ,FH FKH | 1 |
| 530 | 114T3211-1 | | .SUPPORT ASSY-END ASSY | A,C,E ,G-K, M,P,R ,T,V, X,Z AD,AF ,AH,A K,AL, AQ-BR CU-DB ,DL-D R,D Y-EB, EG,EJ EL,EN ,EQ,E S,E U-EY, FE,FG FJ,FG | 1 |

57-43-37

ILLUSTRATED PARTS LIST
01.1 Page 1084D
Jul 01/03

| FIG. & ITEM | PART NO. | AIRLINE PART NUMBER | NOMENCLATURE 1234567 | EFF CODE | QTY PER ASSY |
|-------------|-------------|---------------------|--|--|--------------|
| 03-535 | 114T3211-2 | | .SUPPORT ASSY-END ASSY | B,D,F ,L,N, Q,S,U ,W,Y, AA-AC AE,AG ,AJ,A M-AP, BS-CT DC-DK ,DS-D X,E C-EF, EH,EK EM,EP ,ER,E T,E Z-FD, FF,FH FK,FH | 1 |
| 540 | BACR15BB4AD | | ATTACHING PARTS .RIVET- (SIZE DETERMINE ON INST) -----*----- | | 2 |
| 545 | BACR15BA3AD | | ..RIVET- (SIZE DETERMINE ON INST) | | 4 |
| 550 | BRFM20A3 | | ..NUTPLATE- (V52828) (SPEC BACN10JN3) (OPT MF1000-3BAC (V15653)) (OPT NS103218-02 (V80539)) (OPT RMF9201M3 (V72962)) (OPT VN252A02 (V92215)) (OPT MF1000-3BAC (V15653)) (OPT MF53049-3 (V15653)) | | 2 |

57-43-37

| FIG. & ITEM | PART NO. | AIRLINE PART NUMBER | NOMENCLATURE | EFF CODE | QTY PER ASSY |
|-------------|------------|---------------------|----------------------|--|--------------|
| 03-555 | 114T3211-3 | | 1234567 ..SUPPORT | A,C,E ,G-K, M,P,R ,T,V, X,Z AD,AF ,AH,A K,AL, AQ-BR CU-DB ,DL-D R,D Y-EB, EG,EJ EL,EN ,EQ,E S,E U-EY, FE,FG FJ,FG B,D,F ,L,N, Q,S,U ,W,Y, AA-AC AE,AG ,AJ,A M-AP, BS-CT DC-DK ,DS-D X,E C-EF, EH,EK EM,EP ,ER,E T,E Z-FD, FF,FH FK,FH | 1 |
| -560 | 114T3211-4 | | ..SUPPORT | | 1 |

57-43-37

 ILLUSTRATED PARTS LIST
 01.1 Page 1084F
 Jul 01/03

| FIG. & ITEM | PART NO. | AIRLINE PART NUMBER | NOMENCLATURE | EFF CODE | QTY PER ASSY |
|-------------|-------------|---------------------|--------------|--|--------------|
| 03- | | | 1234567 | | |
| 565 | BACB30NT3K4 | | .BOLT | | 2 |
| 570 | AN960PD10L | | .WASHER | | 2 |
| 575 | 114T3206-17 | | .RETAINER | A,C,E ,G-K, M,P,R ,T,V, X,Z AD,AF ,AH,A K,AL, AQ-BR CU-DB ,DL-D R,D Y-EB, EG,EJ EL,EN ,EQ,E S,E U-EY, FE,FG FJ,FG B,D,F ,L,N, Q,S,U ,W,Y, AA-AC AE,AG ,AJ,A M-AP, BS-CT DC-DK ,DS-D X,E C-EF, EH,EK EM,EP ,ER,E T,E Z-FD, FF,FH FK,FH | 1 |
| -580 | 114T3206-18 | | .RETAINER | | 1 |

57-43-37

| FIG. & ITEM | PART NO. | AIRLINE PART NUMBER | NOMENCLATURE | EFF CODE | QTY PER ASSY |
|-------------|------------|---------------------|----------------|--|--------------|
| 03-585 | 114T3210-3 | | .SEAL ASSY-END | A,C,E ,G-K, M,P,R ,T,V, X,Z AD,AF ,AH,A K,AL, AQ-BR CU-DB ,DL-D R,D Y-EB, EG,EJ EL,EN ,EQ,E S,E U-EY, FE,FG FJ,FG B,D,F ,L,N, Q,S,U ,W,Y, AA-AC AE,AG ,AJ,A M-AP, BS-CT DC-DK ,DS-D X,E C-EF, EH,EK EM,EP ,ER,E T,E Z-FD, FF,FH FK,FH | 1 |
| -590 | 114T3210-4 | | .SEAL ASSY-END | | 1 |

57-43-37

ILLUSTRATED PARTS LIST
 01.1 Page 1084H
 Jul 01/03

| FIG. & ITEM | PART NO. | AIRLINE PART NUMBER | NOMENCLATURE | EFF CODE | QTY PER ASSY |
|-------------------|--------------------------|---------------------|-----------------------------|--|--------------|
| 03- 595 600 | 114T3210-7 114T3210-5 | | 1234567 ..PLUG ..SEAL | A,C,E ,G-K, M,P,R ,T,V, X,Z AD,AF ,AH,A K,AL, AQ-BR CU-DB ,DL-D R,D Y-EB, EG,EJ EL,EN ,EQ,E S,E U-EY, FE,FG FJ,FG B,D,F ,L,N, Q,S,U ,W,Y, AA-AC AE,AG ,AJ,A M-AP, BS-CT DC-DK ,DS-D X,E C-EF, EH,EK EM,EP ,ER,E T,E Z-FD, FF,FH FK,FH | 1 1 |
| -605 | 114T3210-6 | | ..SEAL | | 1 |

57-43-37

| FIG. & ITEM | PART NO. | AIRLINE PART NUMBER | NOMENCLATURE | EFF CODE | QTY PER ASSY |
|-------------|-------------|---------------------|--|--|--------------|
| | | | 1234567 | | |
| 03- 610 | BACB30NN3K4 | | .BOLT | | 4 |
| 615 | 114T3101-2 | | .WASHER | | 4 |
| 620 | 114T3210-9 | | .SEAL-END (MFD FROM EXTR RUBBER 10-60754-319 2.50 IN.) | A,C,E ,G-K, M,P,R ,T,V, X,Z AD,AF ,AH,A K,AL, AQ-BR CU-DB ,DL-D R,D Y-EB, EG,EJ EL,EN ,EQ,E S,E U-EY, FE,FG FJ,FG B,D,F ,L,N, Q,S,U ,W,Y, AA-AC AE,AG ,AJ,A M-AP, BS-CT DC-DK ,DS-D X,E C-EF, EH,EK EM,EP ,ER,E T,E Z-FD, FF,FH FK,FH | 1 |
| -625 | 114T3210-10 | | .SEAL-END (MFD FROM EXTR RUBBER 10-60754-319 2.50 IN.) | | 1 |

57-43-37

ILLUSTRATED PARTS LIST
 01.1 Page 1084J
 Jul 01/03

| FIG. & ITEM | PART NO. | AIRLINE PART NUMBER | NOMENCLATURE | EFF CODE | QTY PER ASSY |
|-------------|-------------|---------------------|--|--|--------------|
| | | | 1234567 | | |
| 03-630 | 114T3210-11 | | .SEAL-END (MFD FROM EXTR RUBBER 10-60754-319 1.40 IN.) | | 1 |
| 635 | BACB30NT3K4 | | .BOLT | | 3 |
| 640 | AN960PD10L | | .WASHER | | 3 |
| 645 | 114T3208-1 | | .RETAINER | | 1 |
| 650 | 114T3207-13 | | .SEAL-END (MFD FROM EXTR RUBBER F25.01 10-60754-319 7.00 IN.) | A,C,E ,G-K, M,P,R ,T,V, X,Z AD,AF ,AH,A K,AL, AQ-BR CU-DB ,DL-D R,D Y-EB, EG,EJ EL,EN ,EQ,E S,E U-EY, FE,FG FJ,FG | 1 |

57-43-37

| FIG. & ITEM | PART NO. | AIRLINE PART NUMBER | NOMENCLATURE 1234567 | EFF CODE | QTY PER ASSY |
|-------------|-------------|---------------------|---|--|--------------|
| 03-655 | 114T3207-14 | | .SEAL-END (MFD FROM EXTR RUBBER F25.01 10-60754-319 7.00 IN.) | B,D,F ,L,N, Q,S,U ,W,Y, AA-AC AE,AG ,AJ,A M-AP, BS-CT DC-DK ,DS-D X,E C-EF, EH,EK EM,EP ,ER,E T,E Z-FD, FF,FH FK,FH | 1 |
| 660 | BACR15BB3AD | | .RIVET- (SIZE DETERMINE ON INST) | | 6 |
| 665 | BRFM20A3 | | .NUTPLATE- (V52828) (SPEC BACN10JN3) (OPT MF1000-3BAC (V15653)) (OPT NS103218-02 (V80539)) (OPT RMF9201M3 (V72962)) (OPT VN252A02 (V92215)) (OPT MF1000-3BAC (V15653)) (OPT MF53049-3 (V15653)) | | 3 |
| 670 | BACR15BB4AD | | .RIVET- (SIZE DETERMINE ON INST) | | 12 |

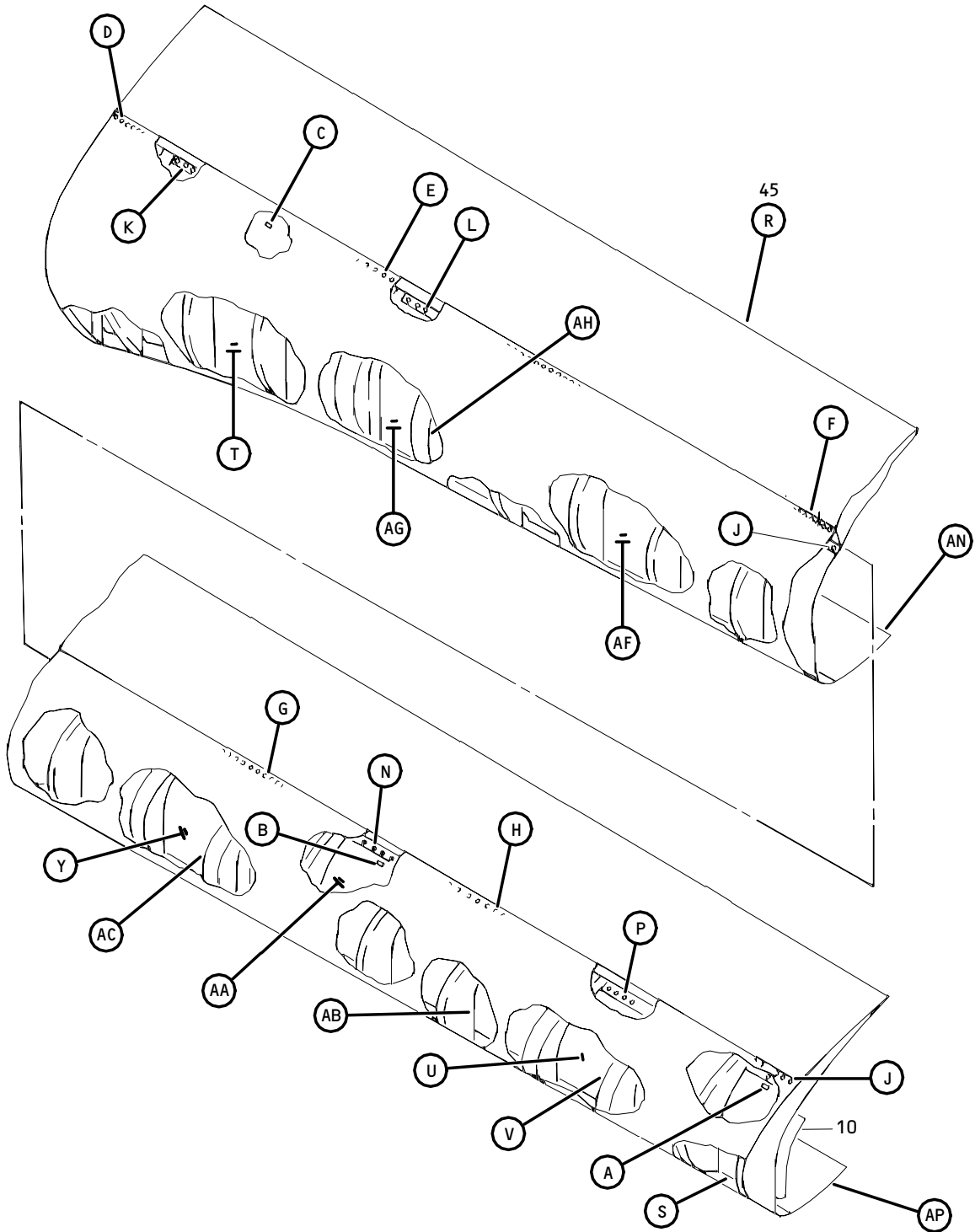
57-43-37

 ILLUSTRATED PARTS LIST
 01.1 Page 1084L
 Jul 01/03

| FIG. & ITEM | PART NO. | AIRLINE PART NUMBER | NOMENCLATURE 1234567 | EFF CODE | QTY PER ASSY |
|-------------|------------|---------------------|-------------------------|--|--------------|
| 03-675 | 114T3205-1 | | .BRACKET | A,C,E ,G-K, M,P,R ,T,V, X,Z AD,AF ,AH,A K,AL, AQ-BR CU-DB ,DL-D R,D Y-EB, EG,EJ EL,EN ,EQ,E S,E U-EY, FE,FG FJ,FG B,D,F ,L,N, Q,S,U ,W,Y, AA-AC AE,AG ,AJ,A M-AP, BS-CT DC-DK ,DS-D X,E C-EF, EH,EK EM,EP ,ER,E T,E Z-FD, FF,FH FK,FH | 1 |
| -680 | 114T3205-2 | | .BRACKET | | 1 |
| 685 | 114T3209-1 | | .SEAL-MOLDED | | 1 |

- Item Not Illustrated

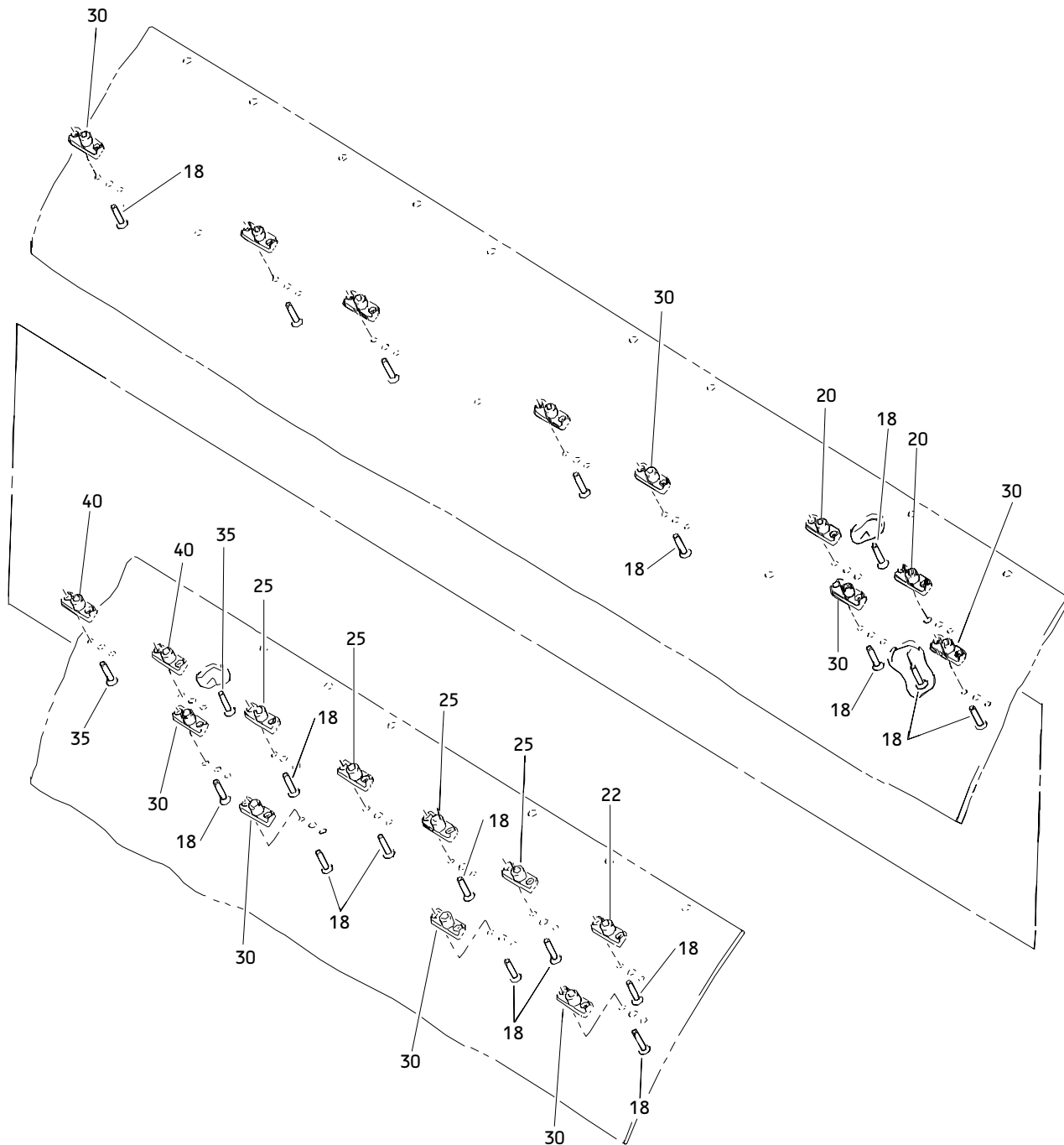
57-43-37



Inboard Slat No. 6 and 7 Wing Leading Edge Structure Assembly
Figure 5 (Sheet 1)

57-43-37

ILLUSTRATED PARTS LIST
01.1 Page 10840
Jul 01/03

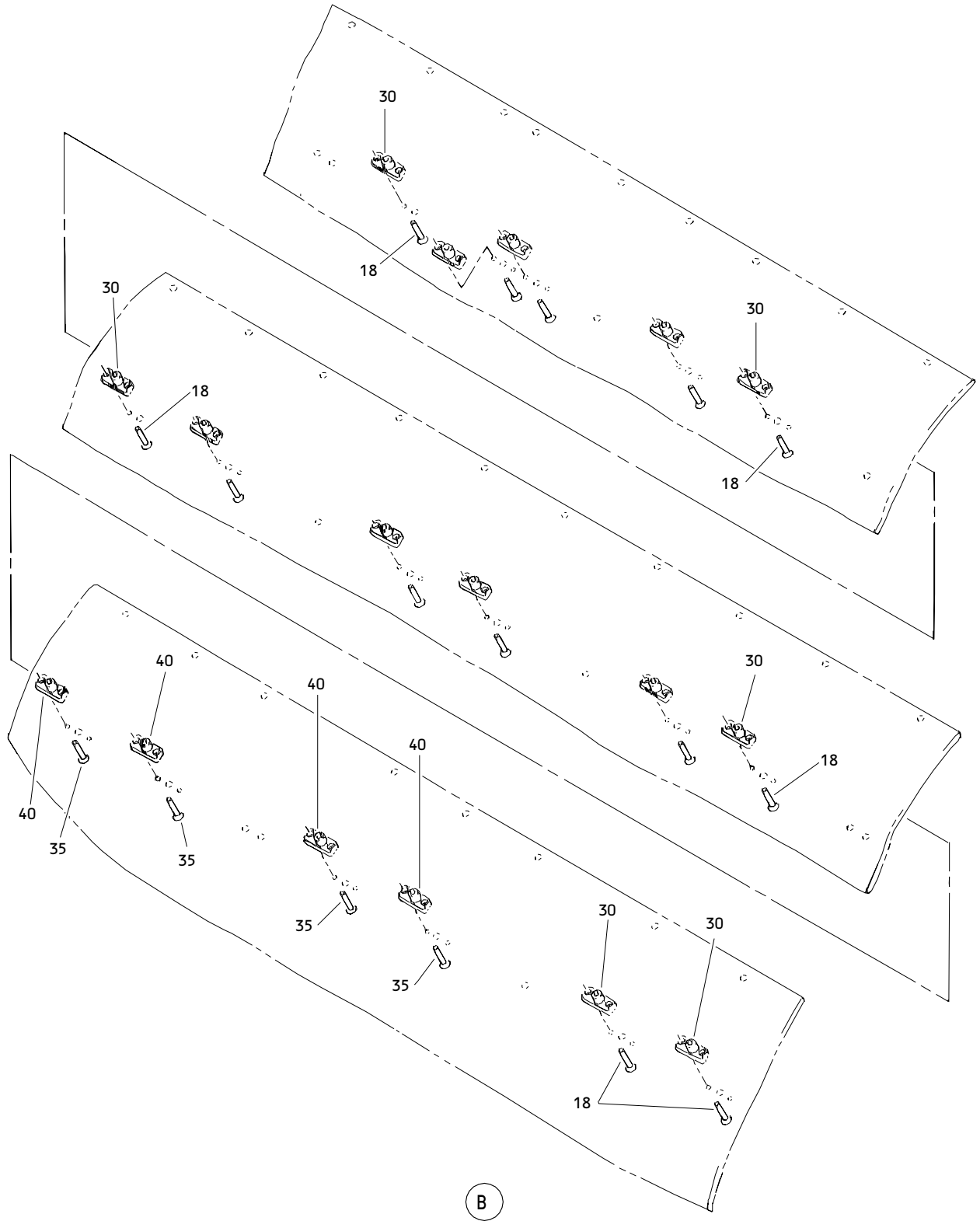


A

Inboard Slat No. 6 and 7 Wing Leading Edge Structure Assembly
 Figure 5 (Sheet 2)

57-43-37

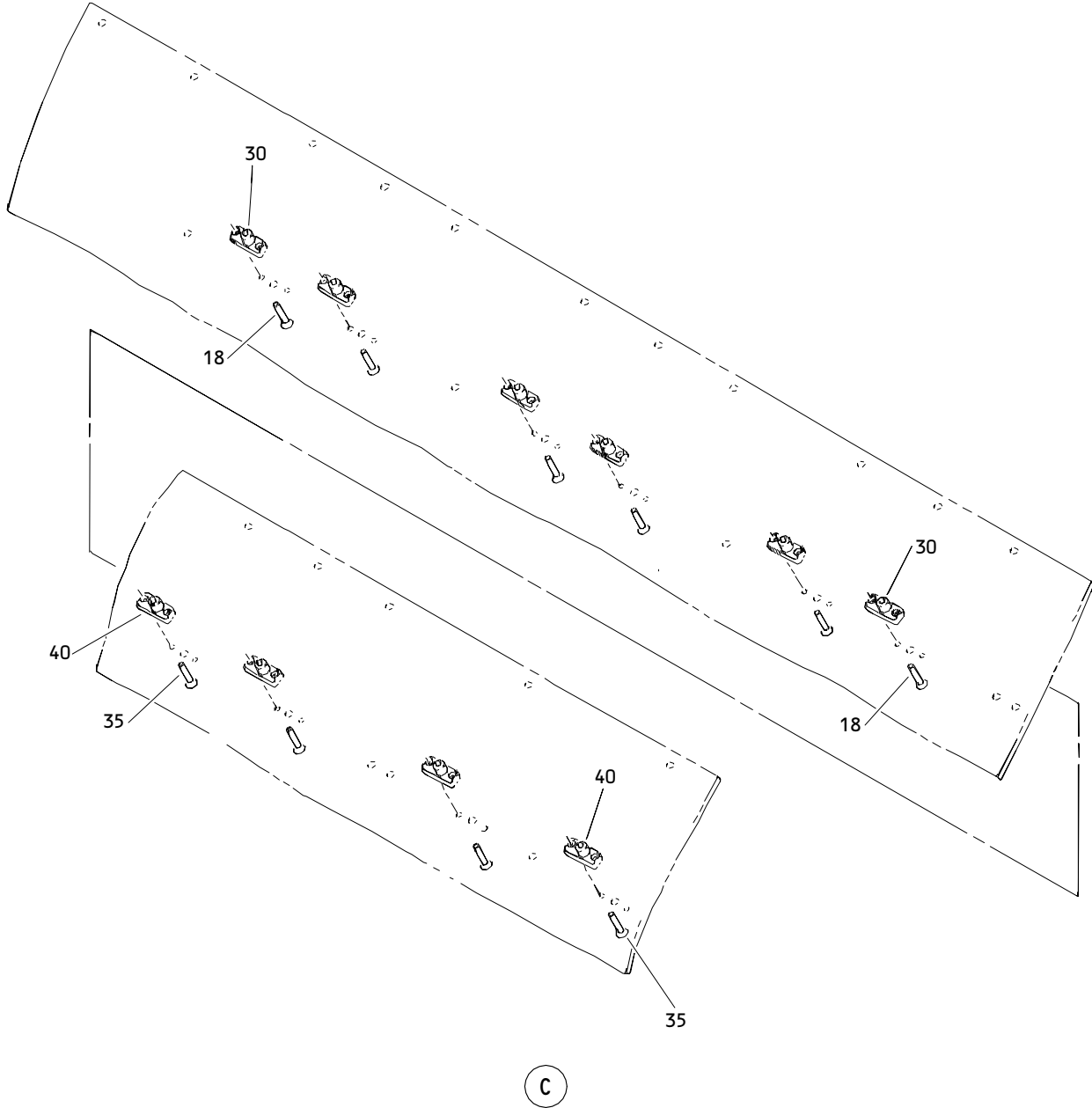
ILLUSTRATED PARTS LIST
 01.1 Page 1084P
 Jul 01/03



Inboard Slat No. 6 and 7 Wing Leading Edge Structure Assembly
Figure 5 (Sheet 3)

57-43-37

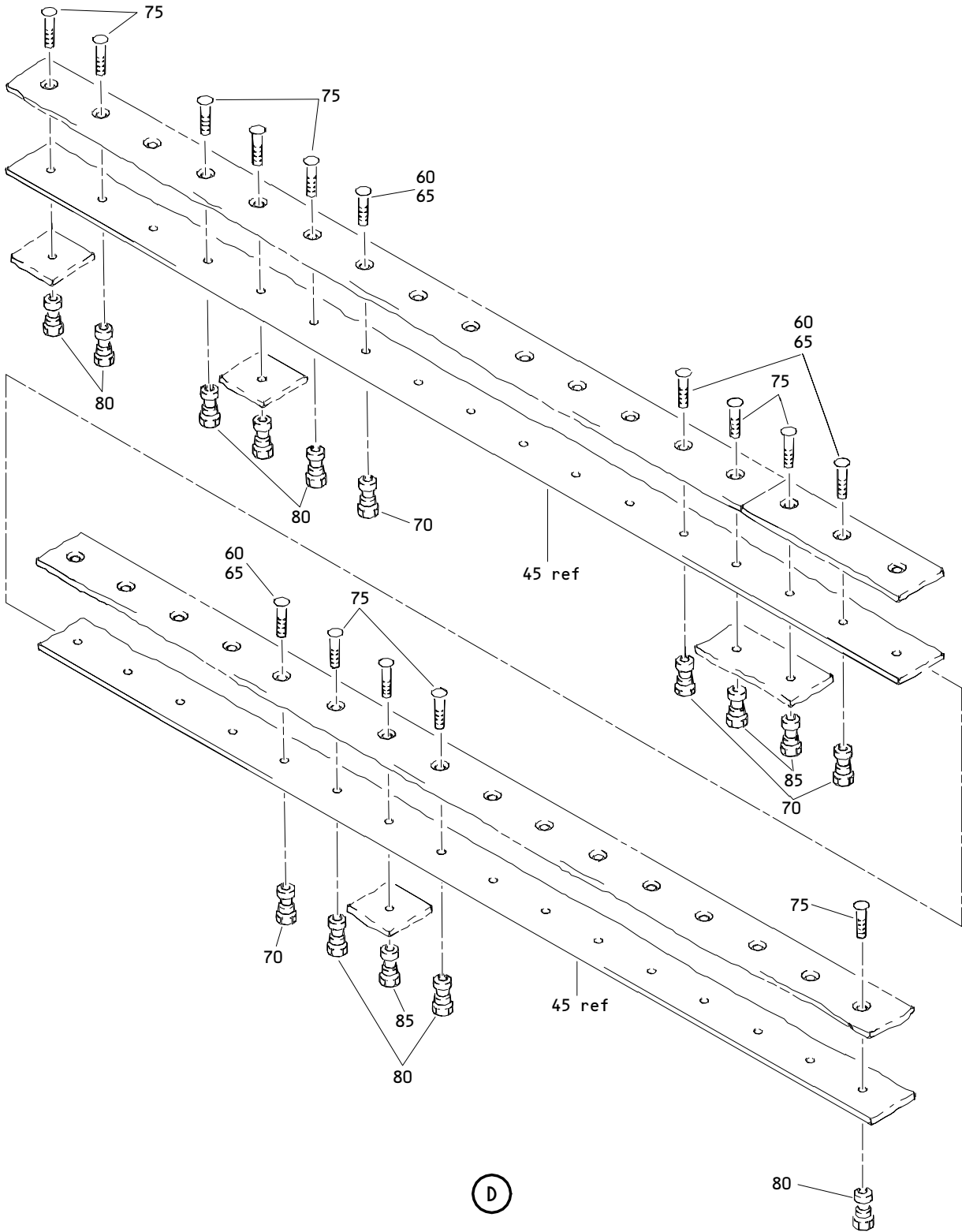
ILLUSTRATED PARTS LIST
01.1 Page 1084Q
Jul 01/03



Inboard Slat No. 6 and 7 Wing Leading Edge Structure Assembly
Figure 5 (Sheet 4)

57-43-37

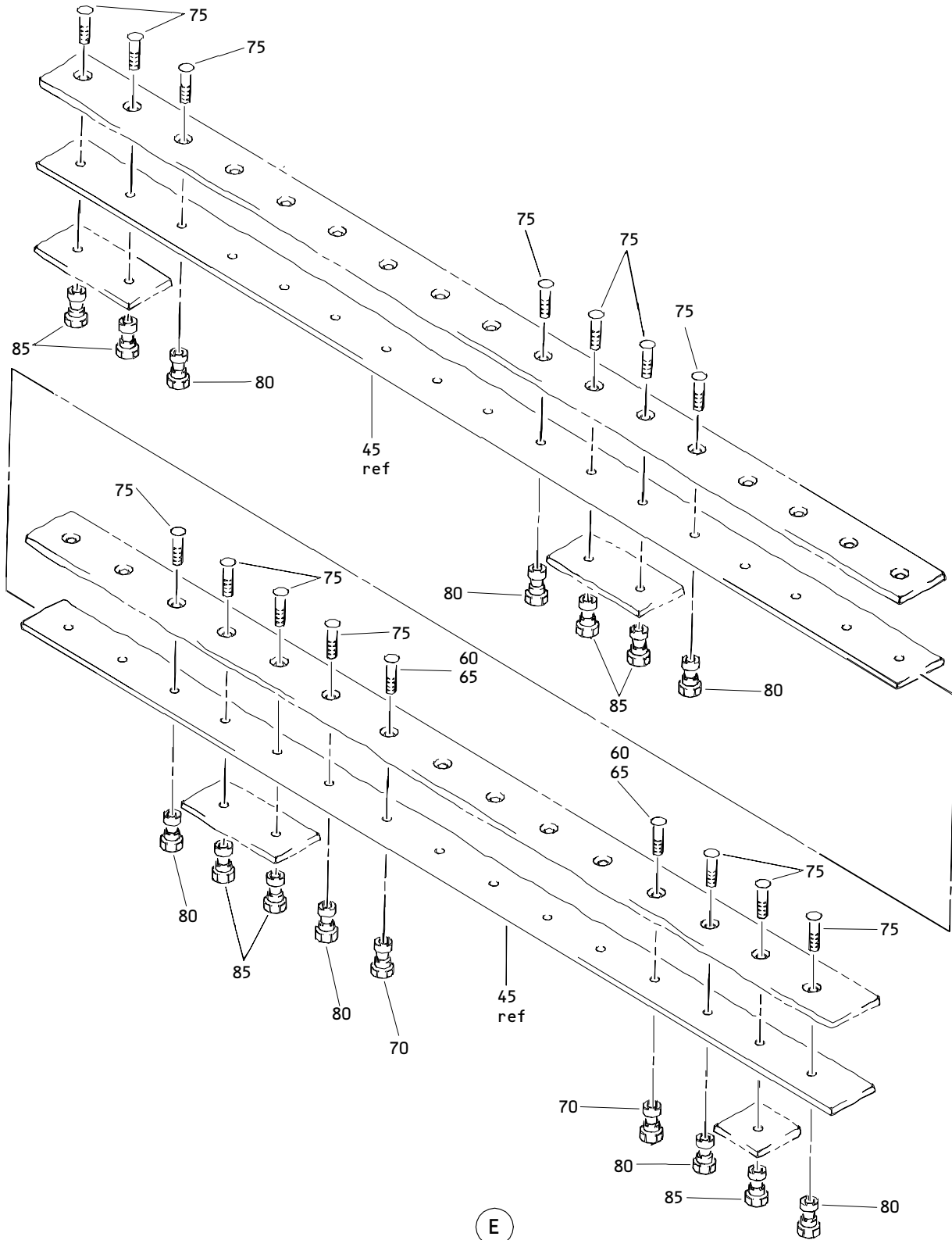
ILLUSTRATED PARTS LIST
01.1 Page 1084R
Jul 01/03



Inboard Slat No. 6 and 7 Wing Leading Edge Structure Assembly
Figure 5 (Sheet 5)

57-43-37

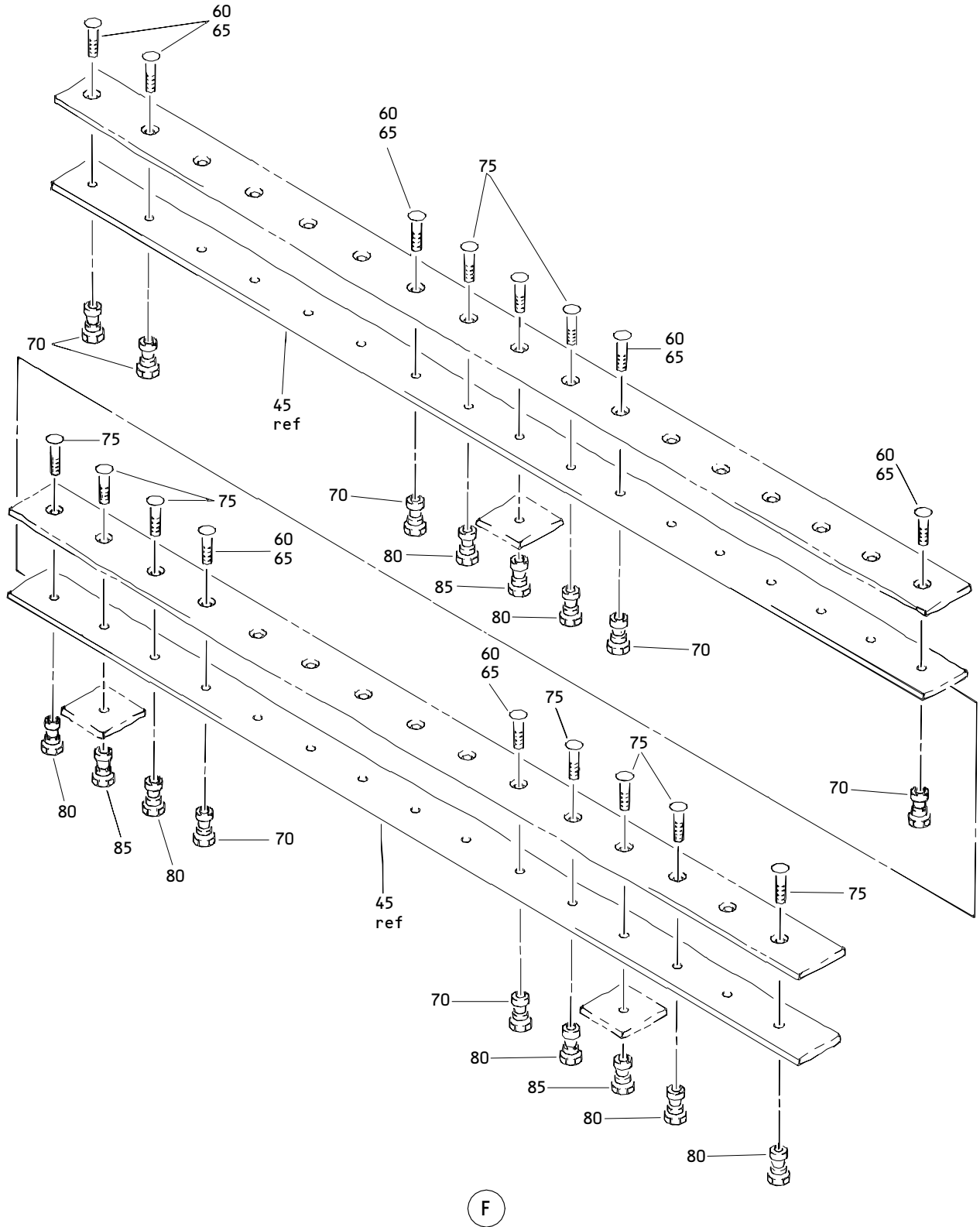
ILLUSTRATED PARTS LIST
01.1 Page 1084S
Jul 01/03



Inboard Slat No. 6 and 7 Wing Leading Edge Structure Assembly
 Figure 5 (Sheet 6)

57-43-37

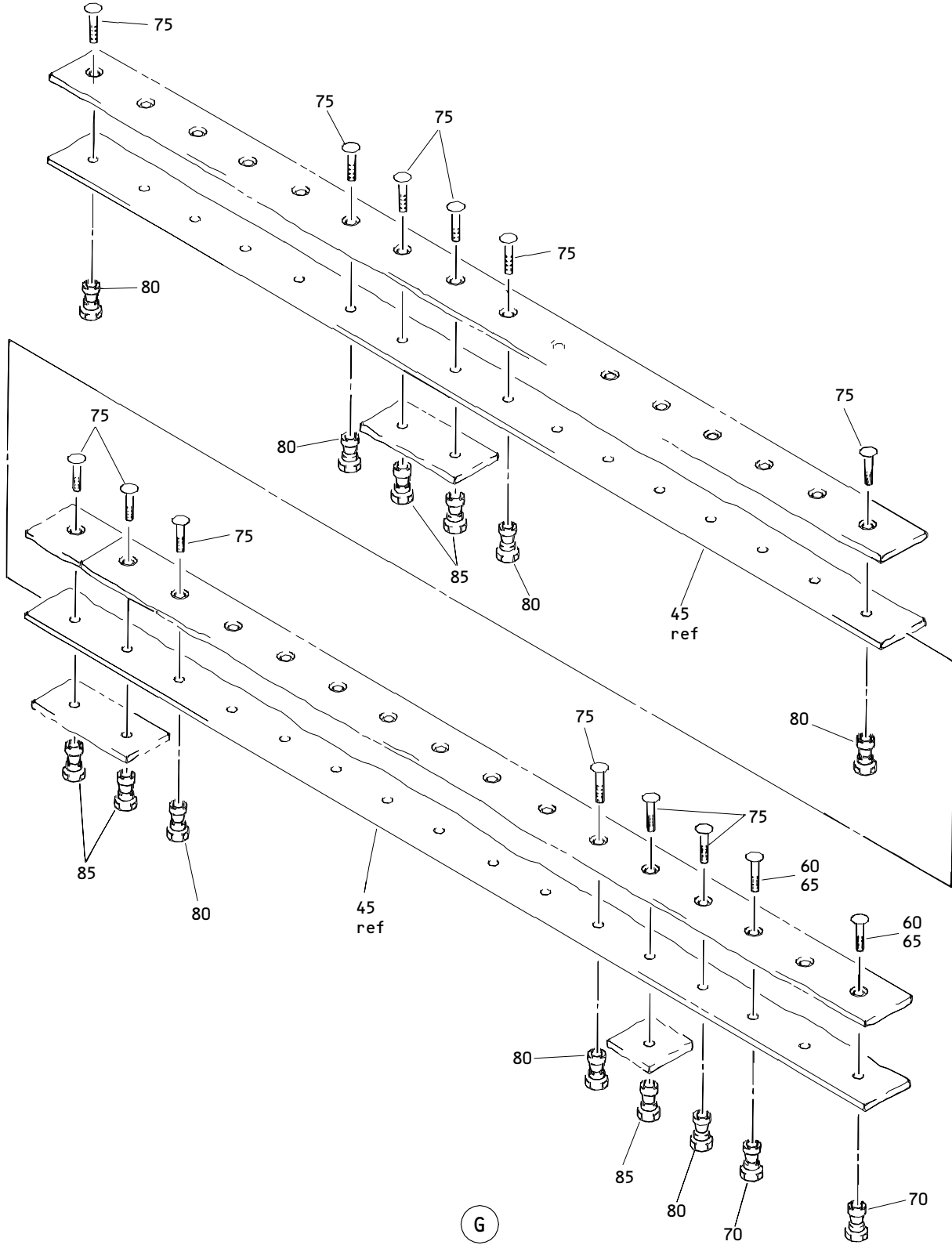
ILLUSTRATED PARTS LIST
 01.1 Page 1084T
 Jul 01/03



Inboard Slat No. 6 and 7 Wing Leading Edge Structure Assembly
Figure 5 (Sheet 7)

57-43-37

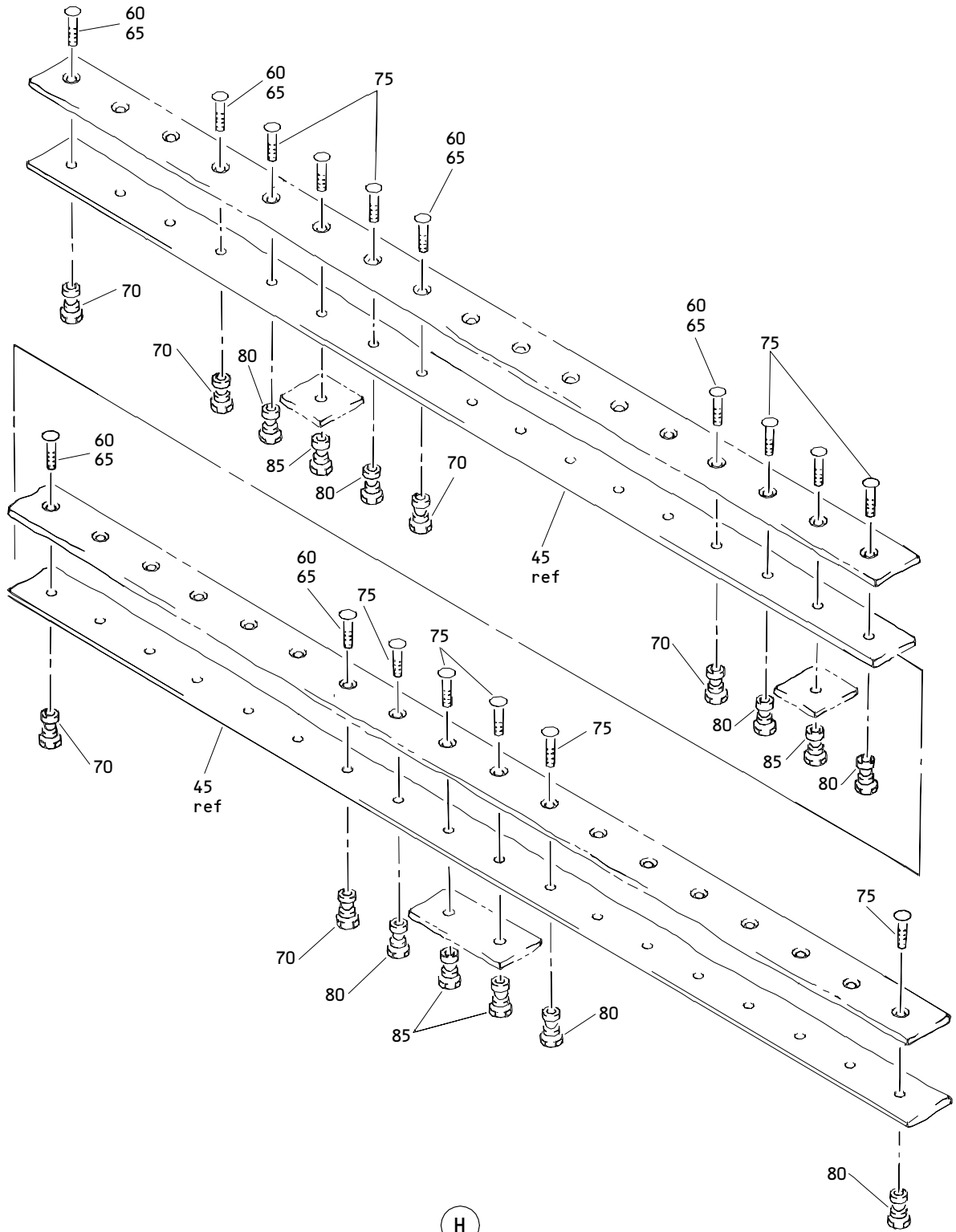
ILLUSTRATED PARTS LIST
01.1 Page 1084U
Jul 01/03



Inboard Slat No. 6 and 7 Wing Leading Edge Structure Assembly
 Figure 5 (Sheet 8)

57-43-37

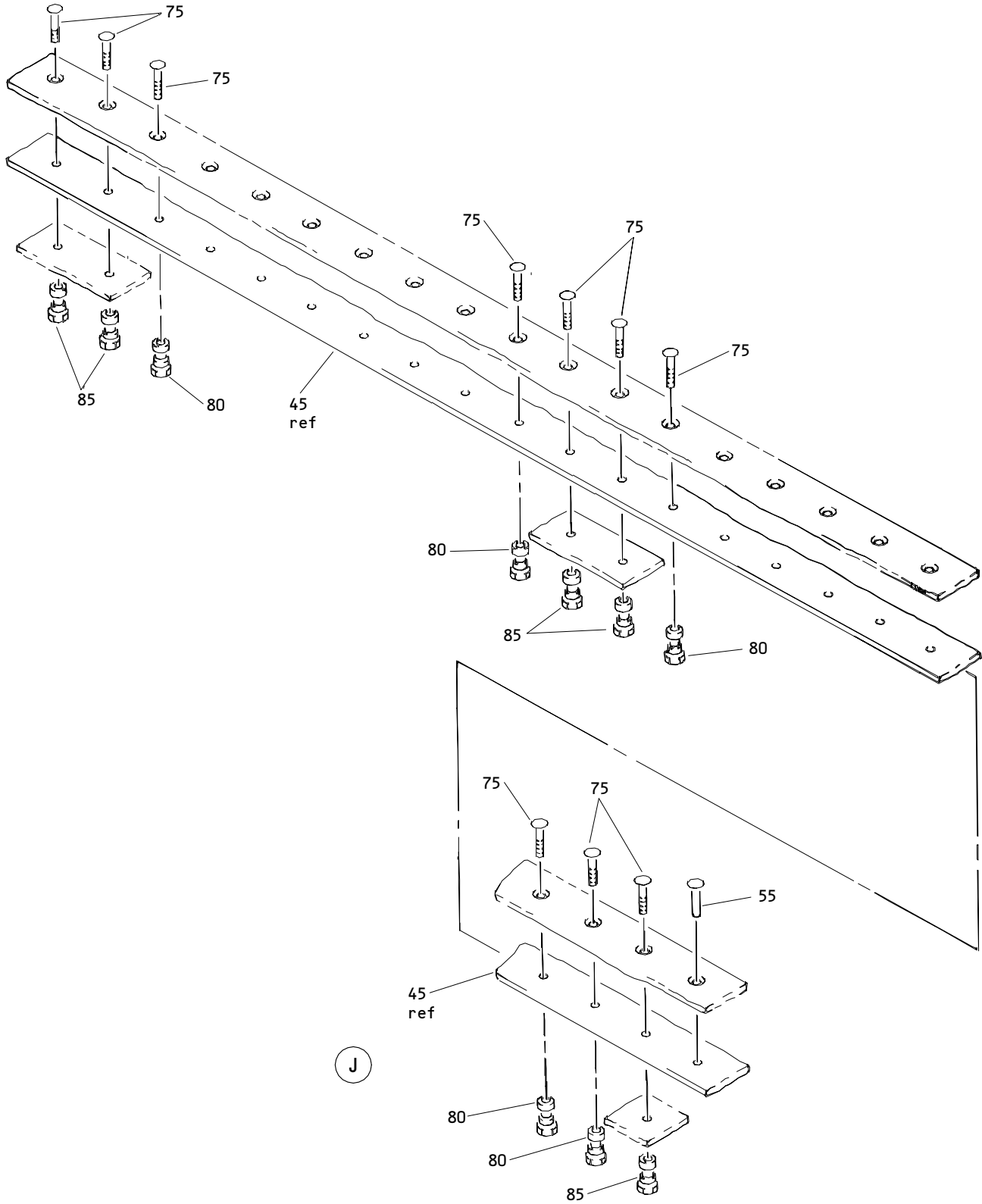
ILLUSTRATED PARTS LIST
 01.1 Page 1084V
 Jul 01/03



Inboard Slat No. 6 and 7 Wing Leading Edge Structure Assembly
Figure 5 (Sheet 9)

57-43-37

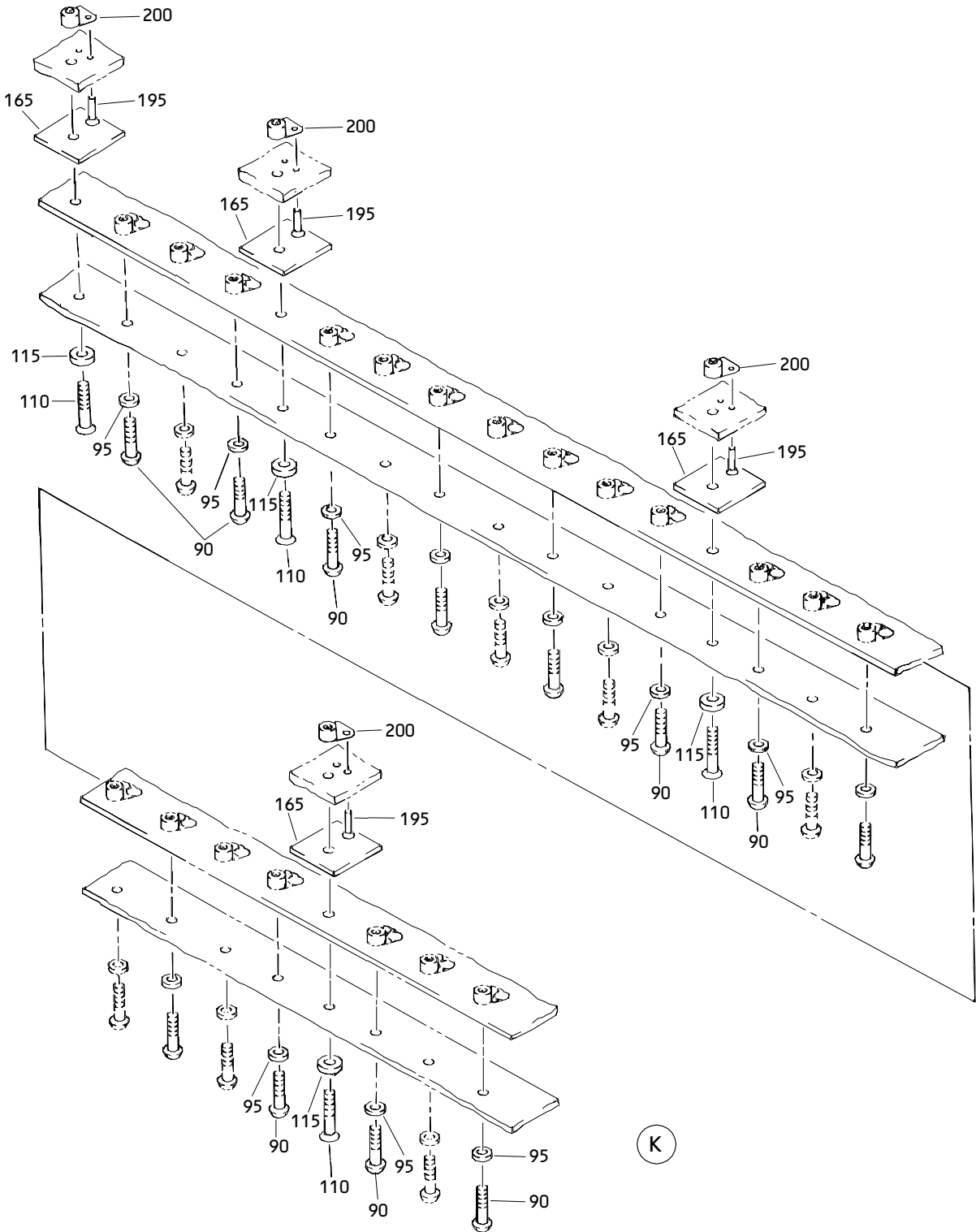
ILLUSTRATED PARTS LIST
01.1 Page 1084W
Jul 01/03



Inboard Slat No. 6 and 7 Wing Leading Edge Structure Assembly
 Figure 5 (Sheet 10)

57-43-37

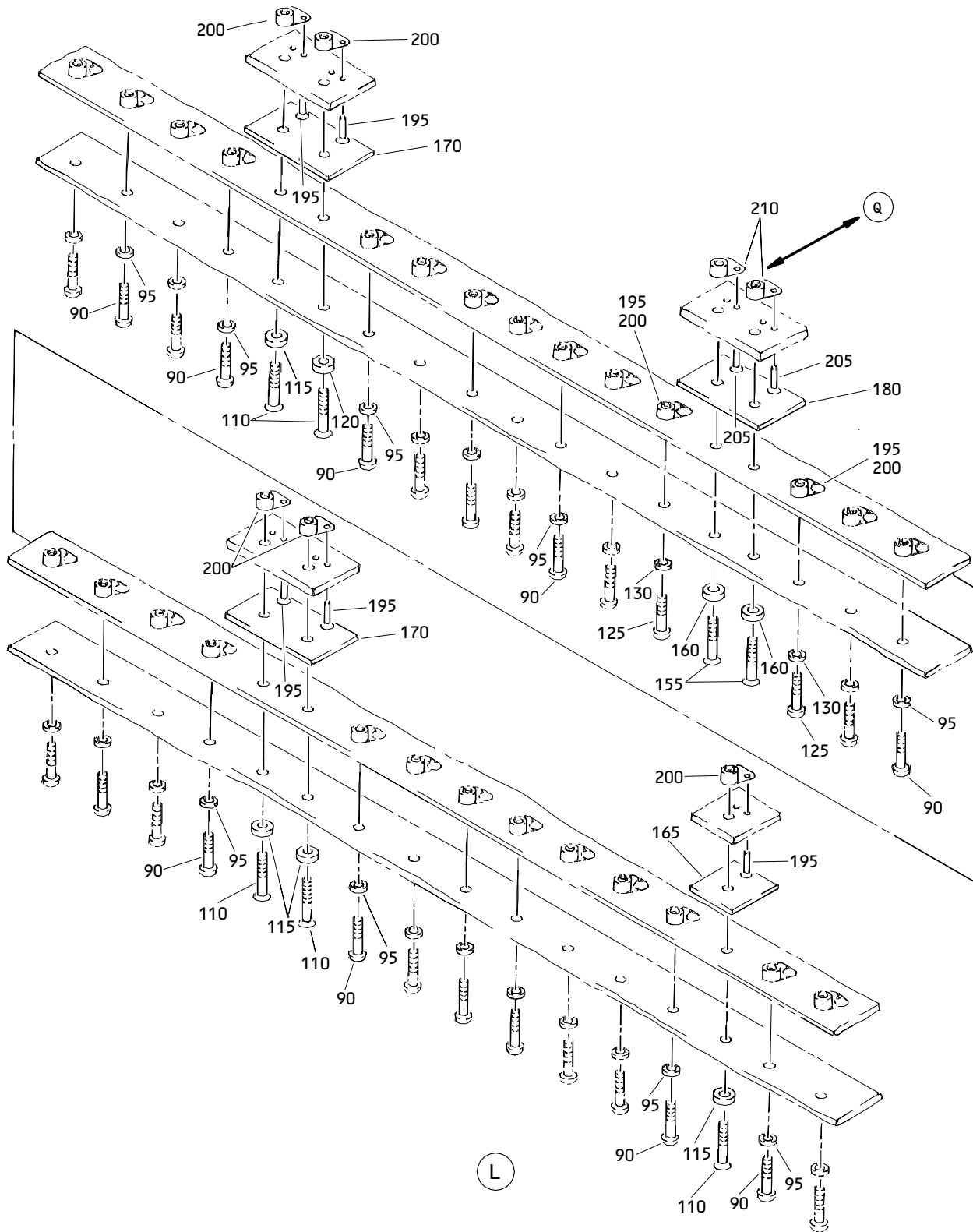
ILLUSTRATED PARTS LIST
 01.1 Page 1084X
 Jul 01/03



Inboard Slat No. 6 and 7 Wing Leading Edge Structure Assembly
Figure 5 (Sheet 11)

57-43-37

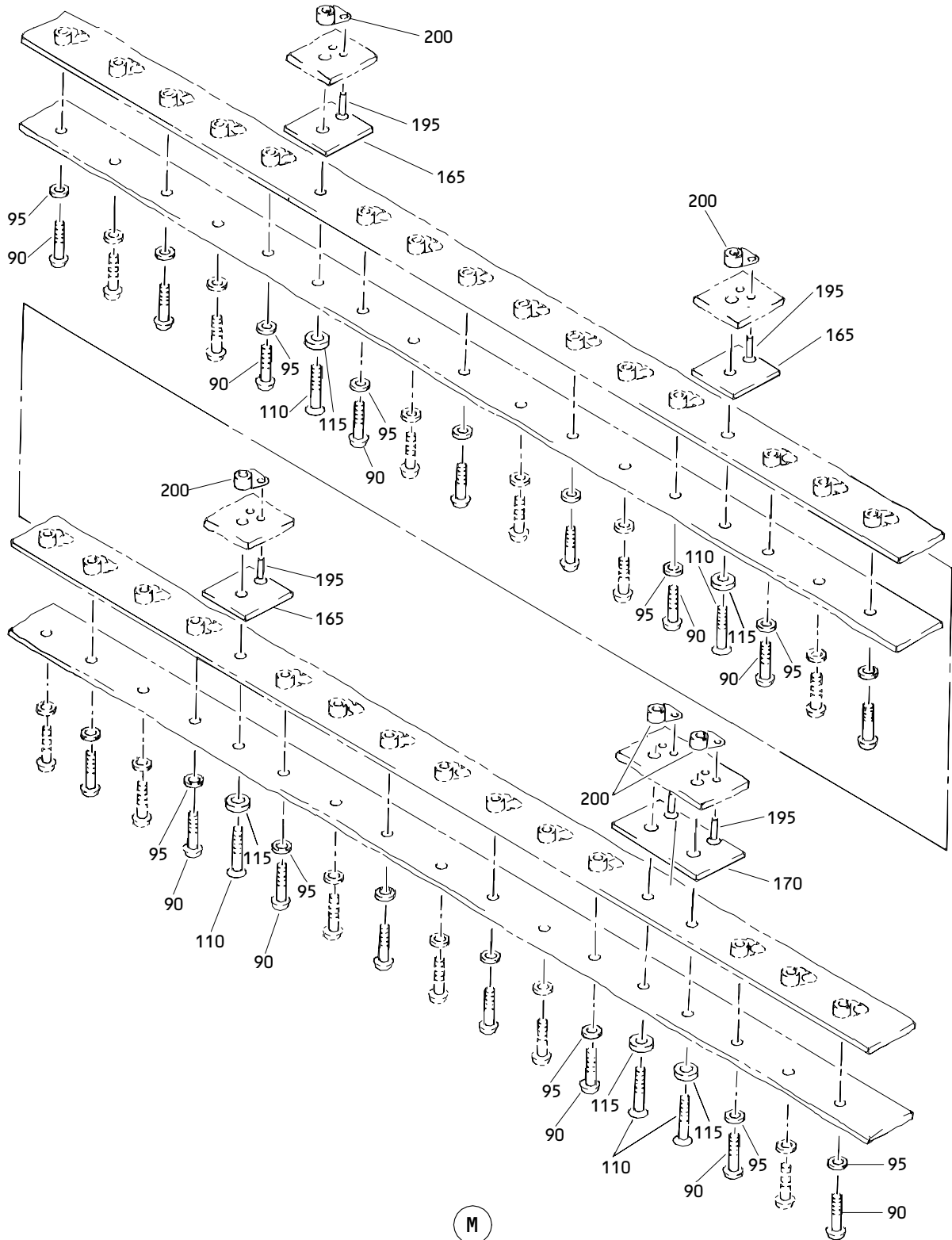
ILLUSTRATED PARTS LIST
01.1 Page 1084Y
Jul 01/03



Inboard Slat No. 6 and 7 Wing Leading Edge Structure Assembly
 Figure 5 (Sheet 12)

57-43-37

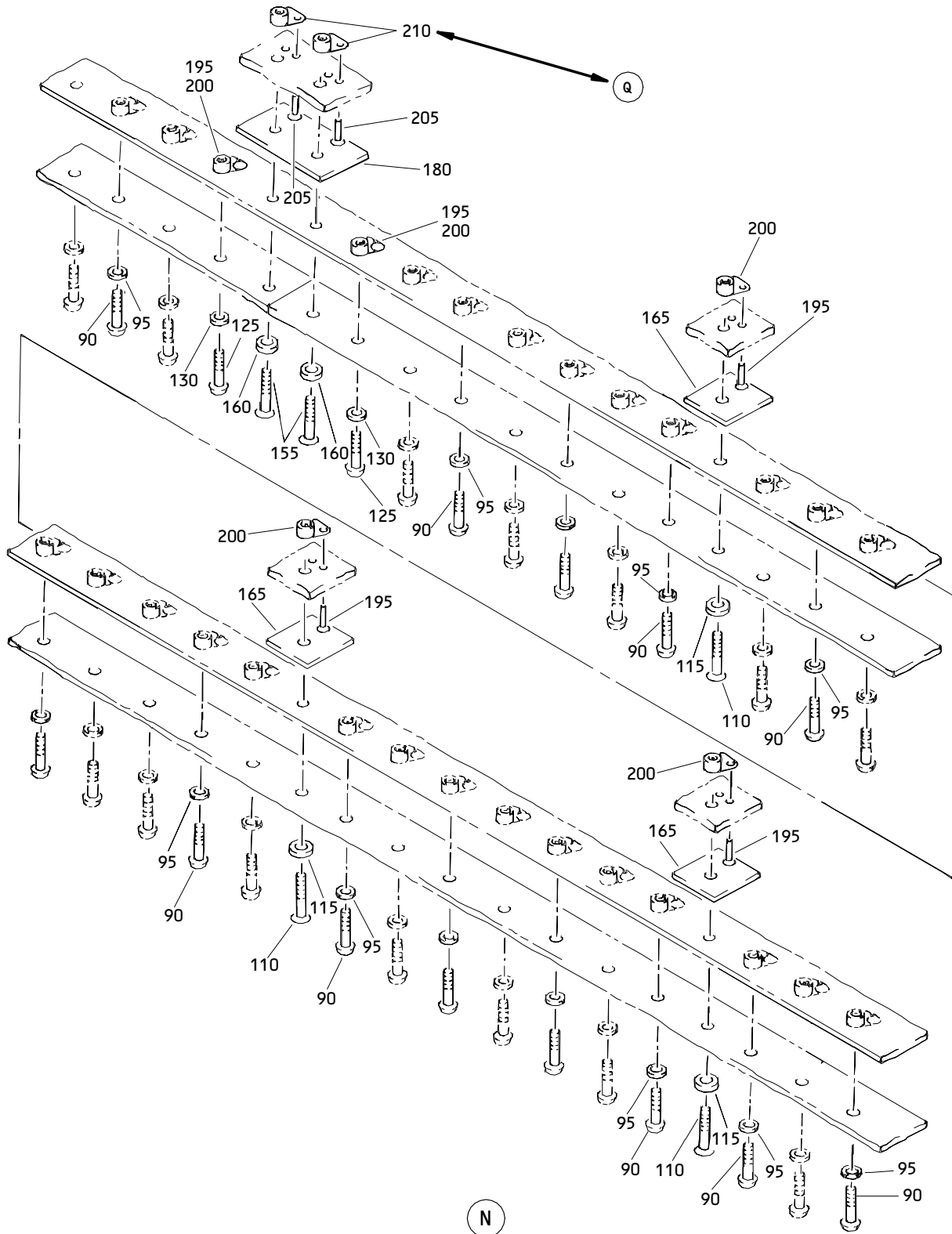
ILLUSTRATED PARTS LIST
 01.1 Page 1084Z
 Jul 01/03



Inboard Slat No. 6 and 7 Wing Leading Edge Structure Assembly
Figure 5 (Sheet 13)

57-43-37

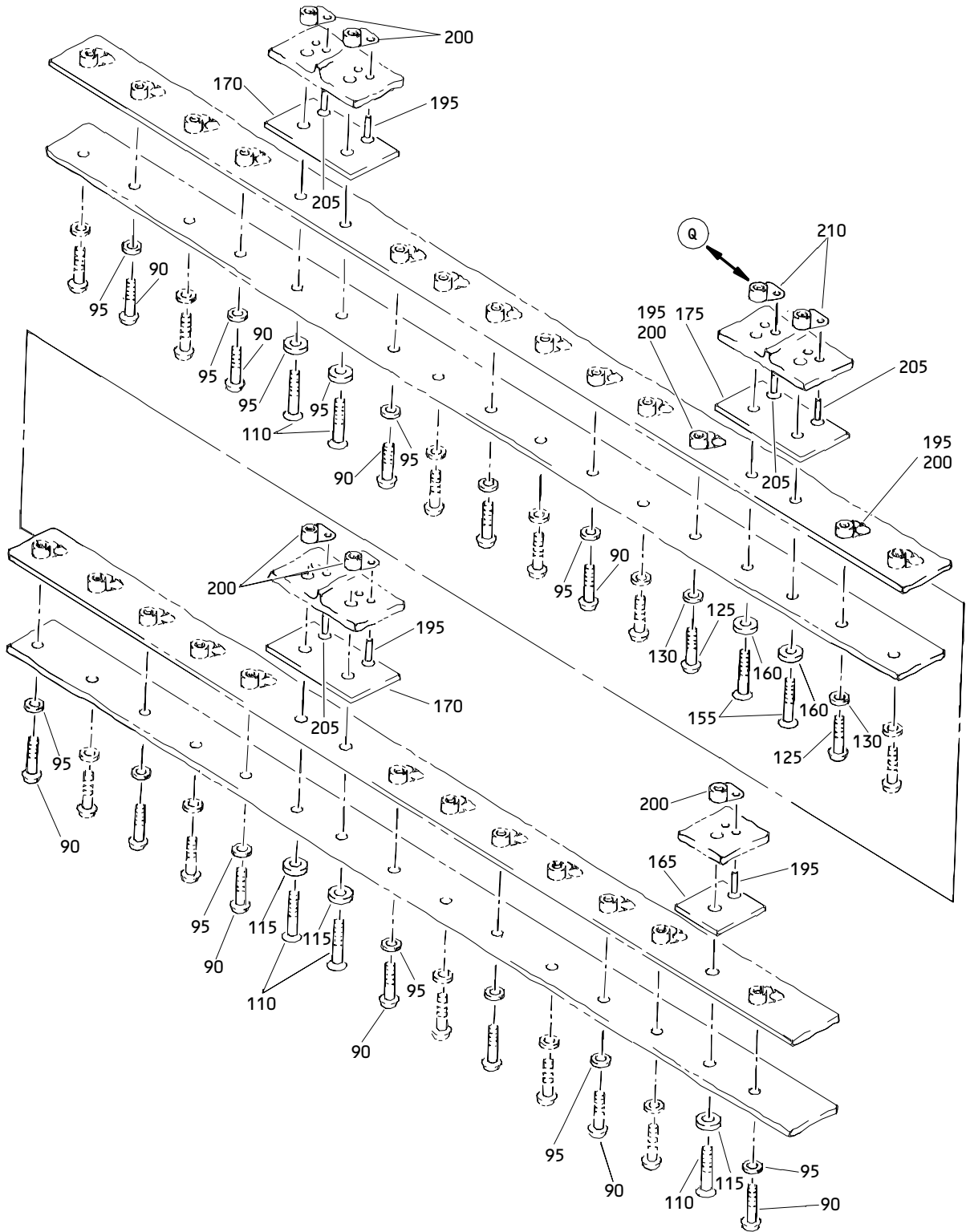
ILLUSTRATED PARTS LIST
01.1 Page 1085
Jul 01/03



Inboard Slat No. 6 and 7 Wing Leading Edge Structure Assembly
 Figure 5 (Sheet 14)

57-43-37

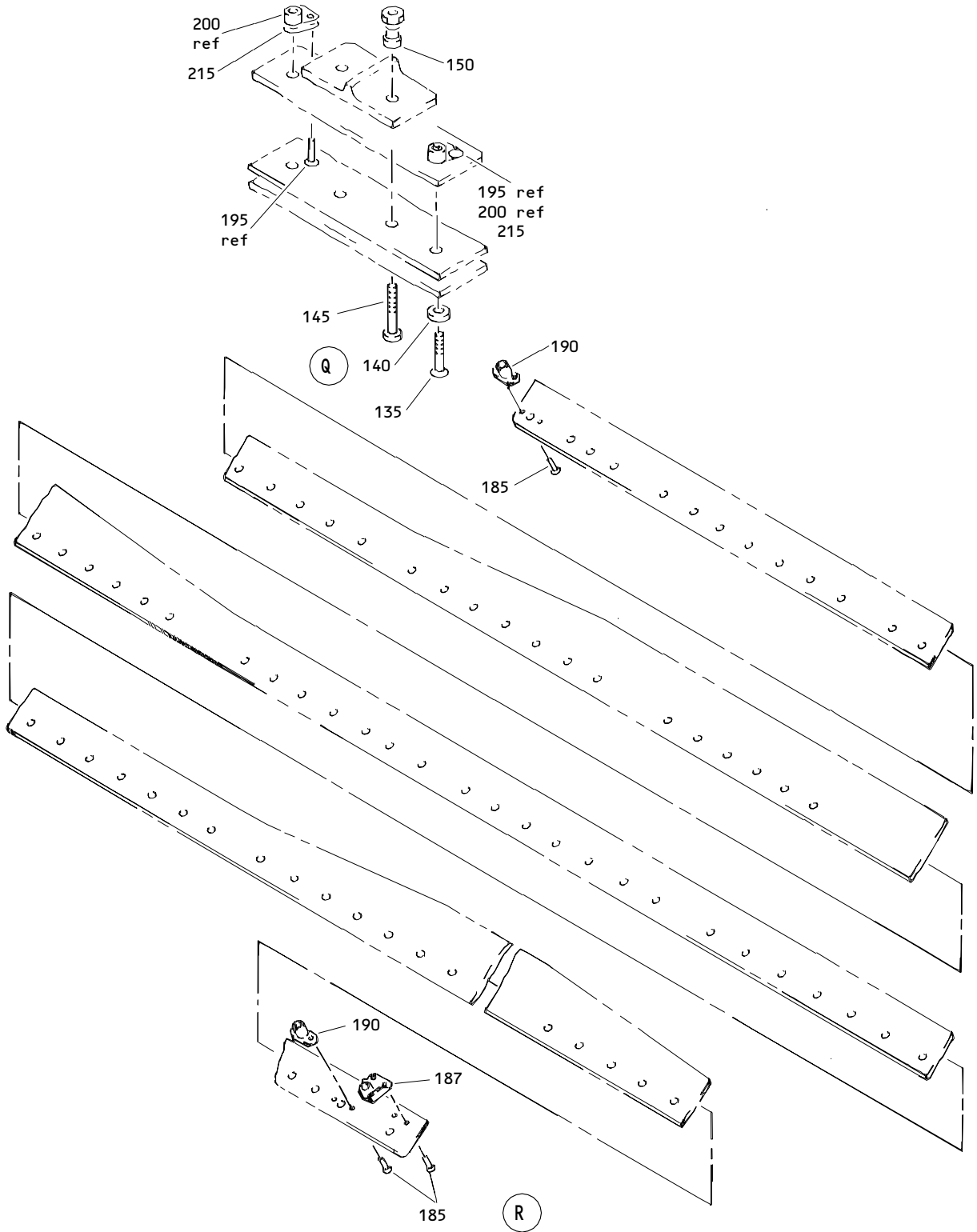
ILLUSTRATED PARTS LIST
 01.1 Page 1086
 Jul 01/03



Inboard Slat No. 6 and 7 Wing Leading Edge Structure Assembly
Figure 5 (Sheet 15)

57-43-37

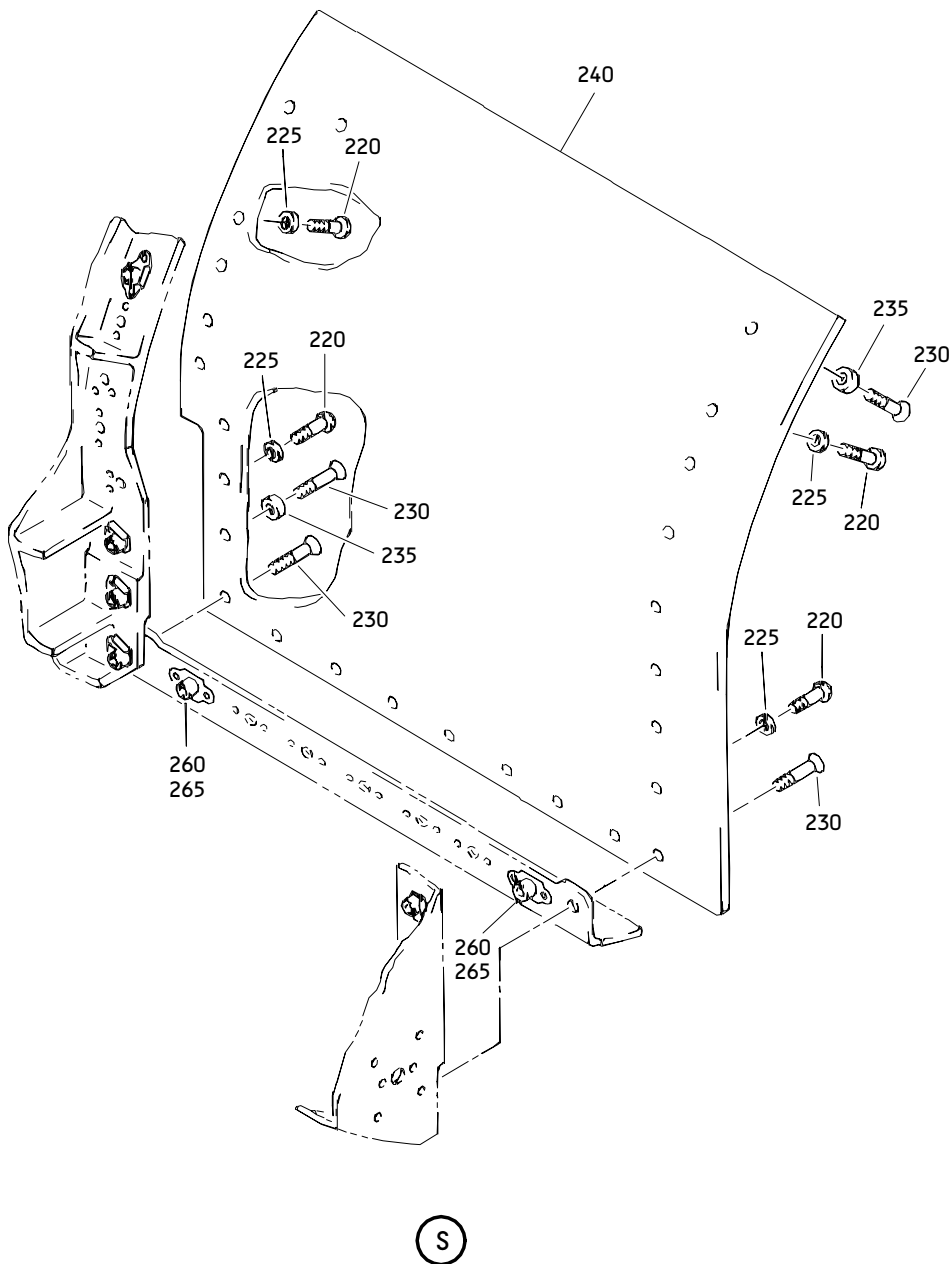
ILLUSTRATED PARTS LIST
01.1 Page 1086A
Jul 01/03



Inboard Slat No. 6 and 7 Wing Leading Edge Structure Assembly
 Figure 5 (Sheet 16)

57-43-37

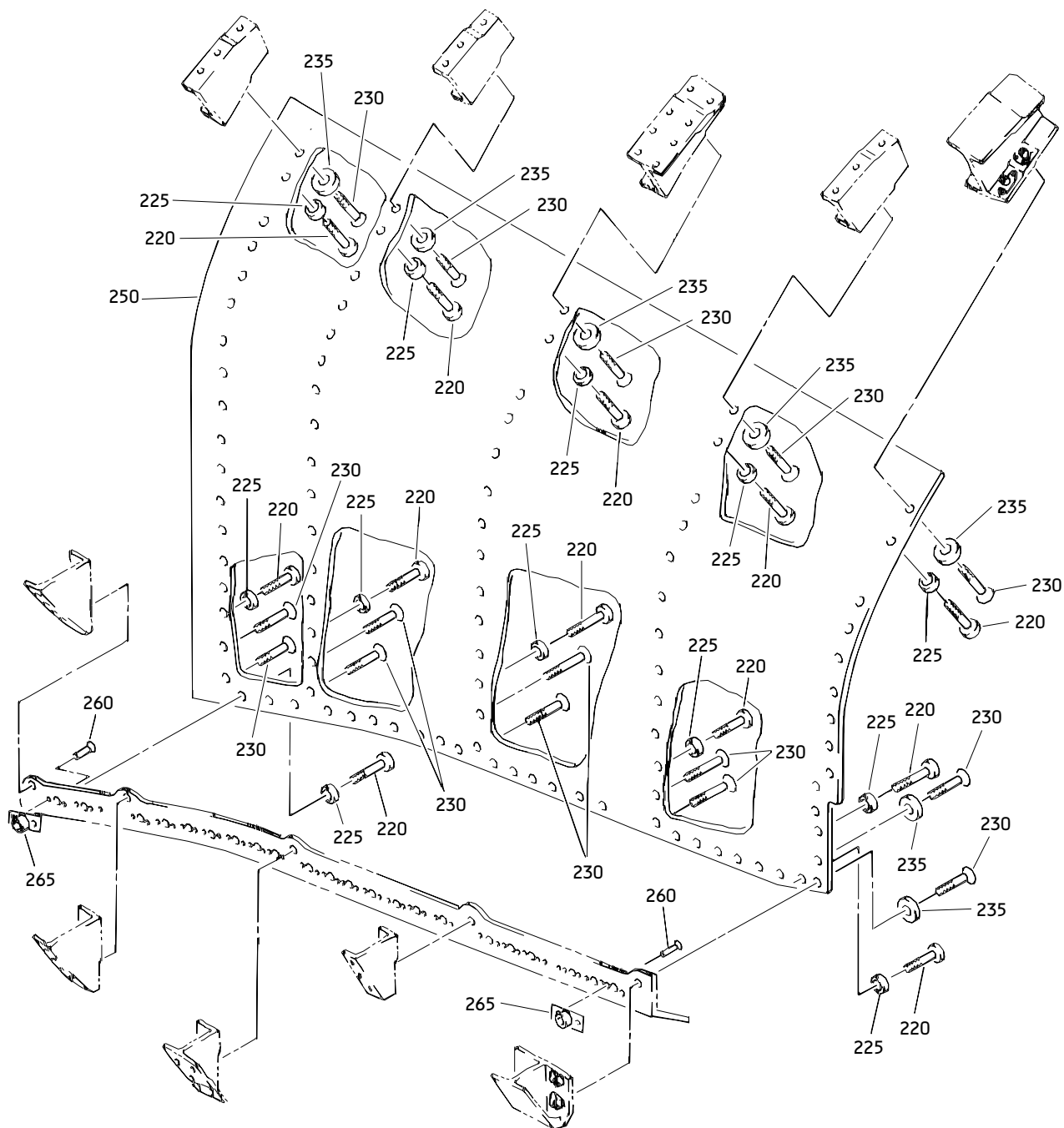
ILLUSTRATED PARTS LIST
 01.1 Page 1086B
 Jul 01/03



Inboard Slat No. 6 and 7 Wing Leading Edge Structure Assembly
Figure 5 (Sheet 17)

57-43-37

ILLUSTRATED PARTS LIST
01.1 Page 1086C
Jul 01/03

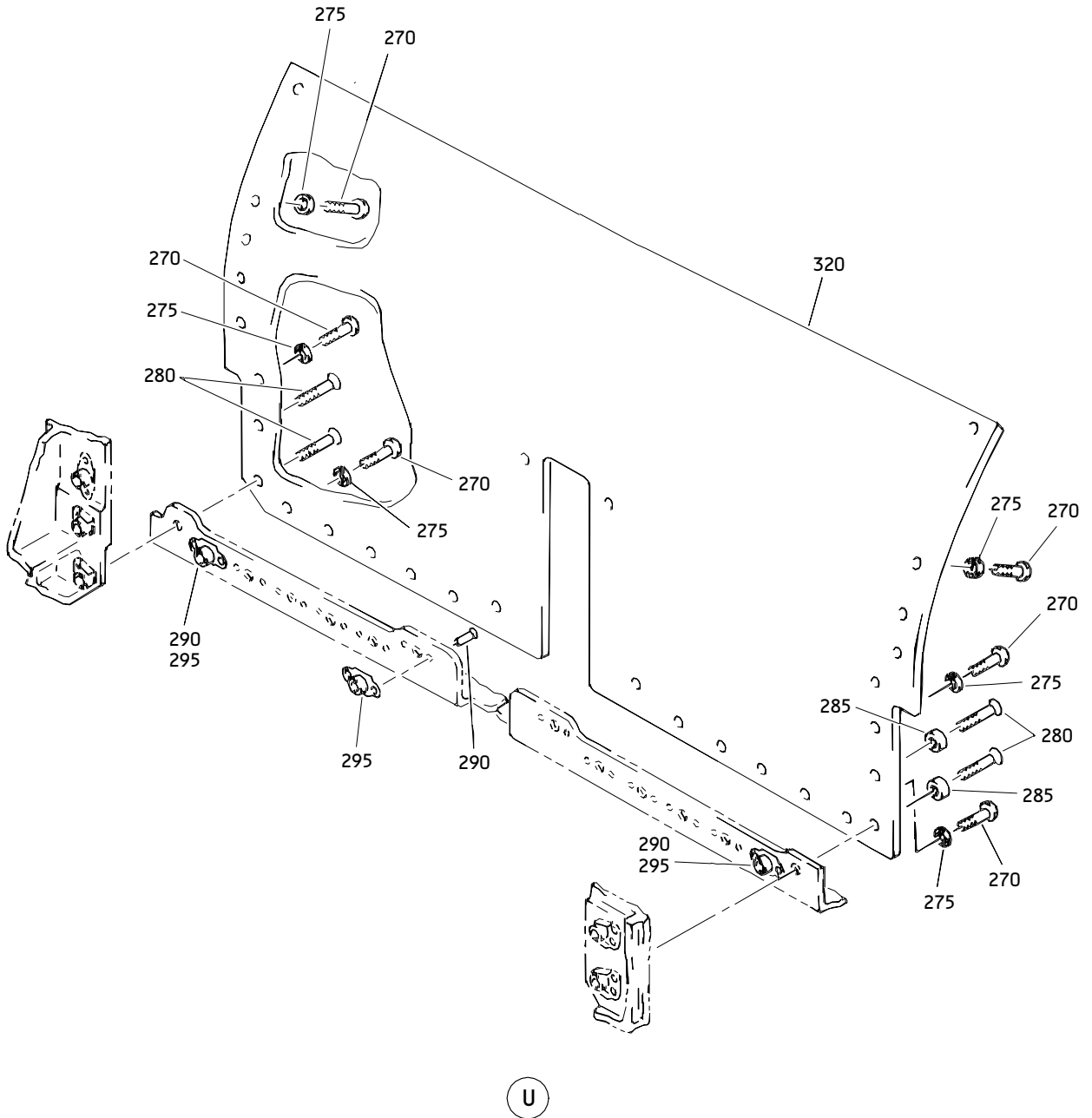


(T)

Inboard Slat No. 6 and 7 Wing Leading Edge Structure Assembly
Figure 5 (Sheet 18)

57-43-37

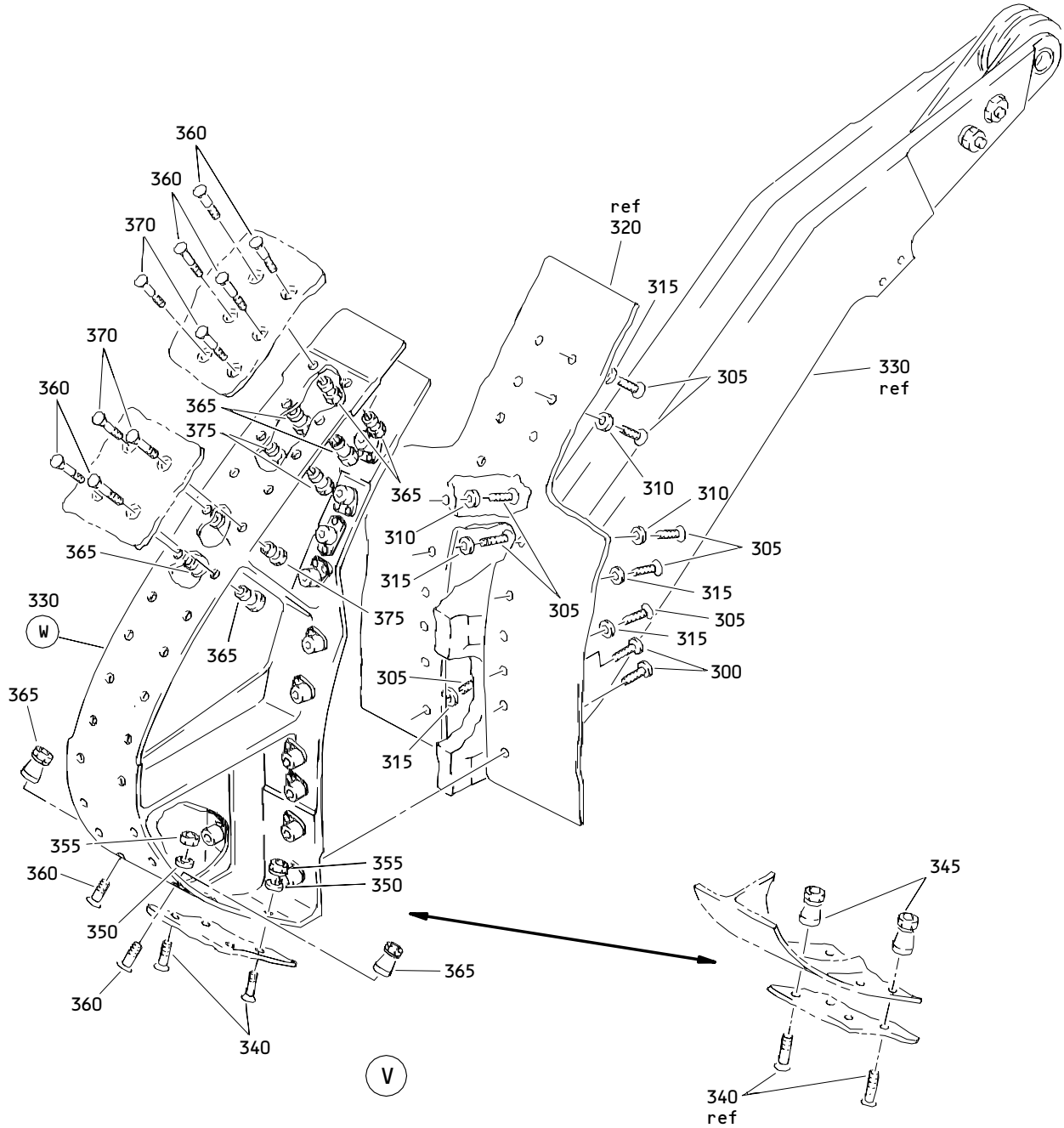
ILLUSTRATED PARTS LIST
01.1 Page 1086D
Jul 01/03



Inboard Slat No. 6 and 7 Wing Leading Edge Structure Assembly
Figure 5 (Sheet 19)

57-43-37

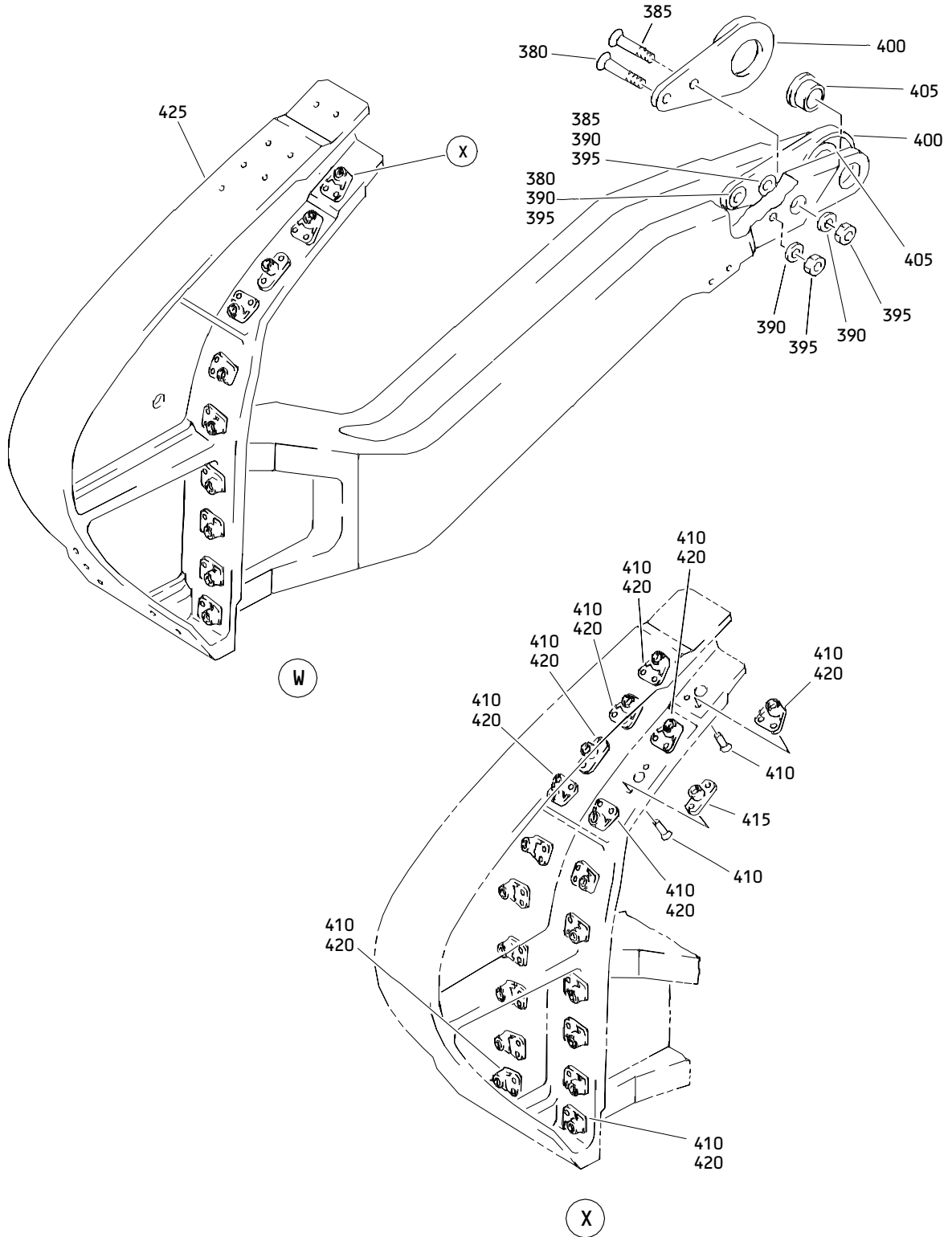
ILLUSTRATED PARTS LIST
01.1 Page 1086E
Jul 01/03



Inboard Slat No. 6 and 7 Wing Leading Edge Structure Assembly
 Figure 5 (Sheet 20)

57-43-37

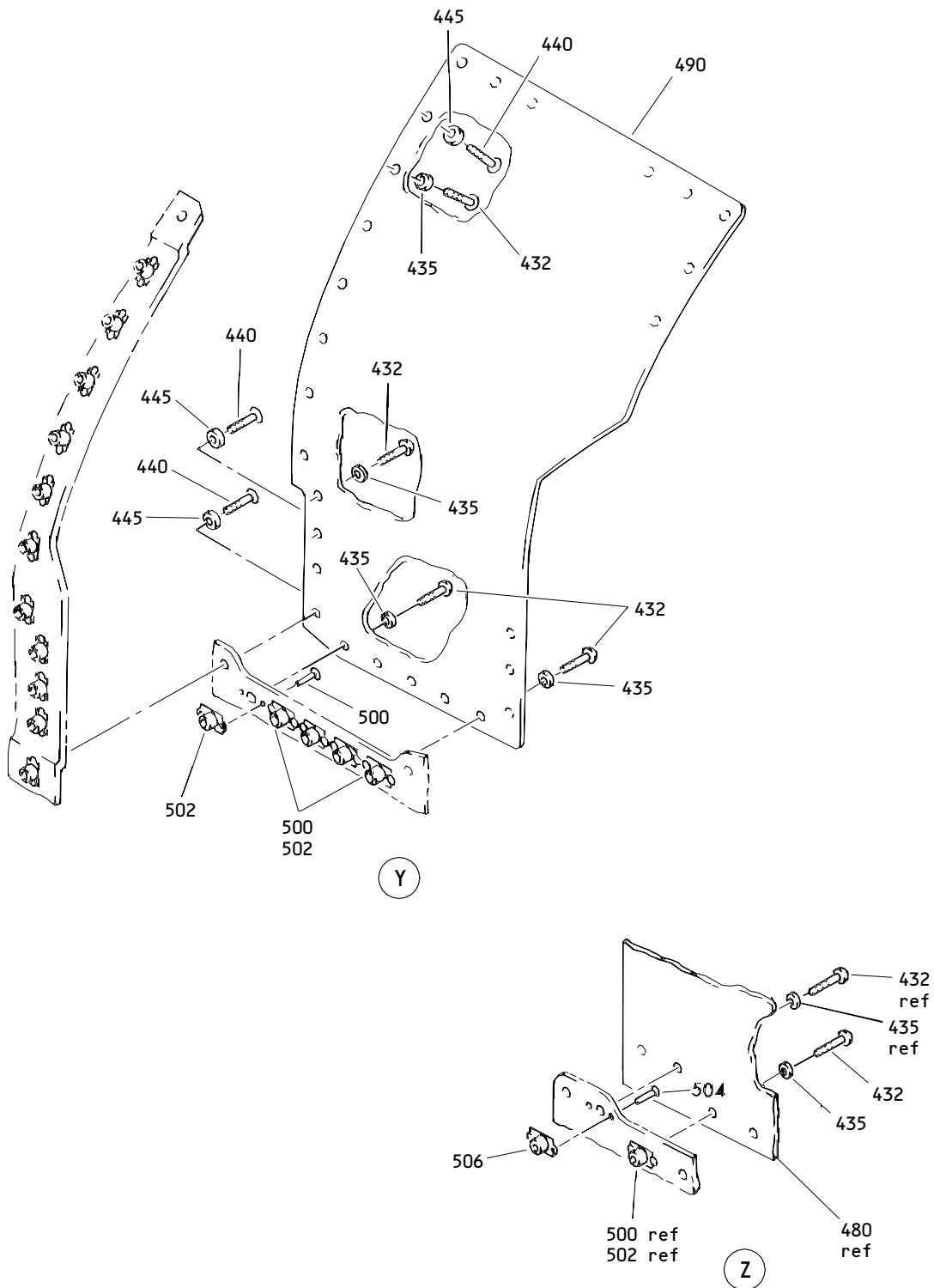
ILLUSTRATED PARTS LIST
 01.1 Page 1086F
 Jul 01/03



Inboard Slat No. 6 and 7 Wing Leading Edge Structure Assembly
Figure 5 (Sheet 21)

57-43-37

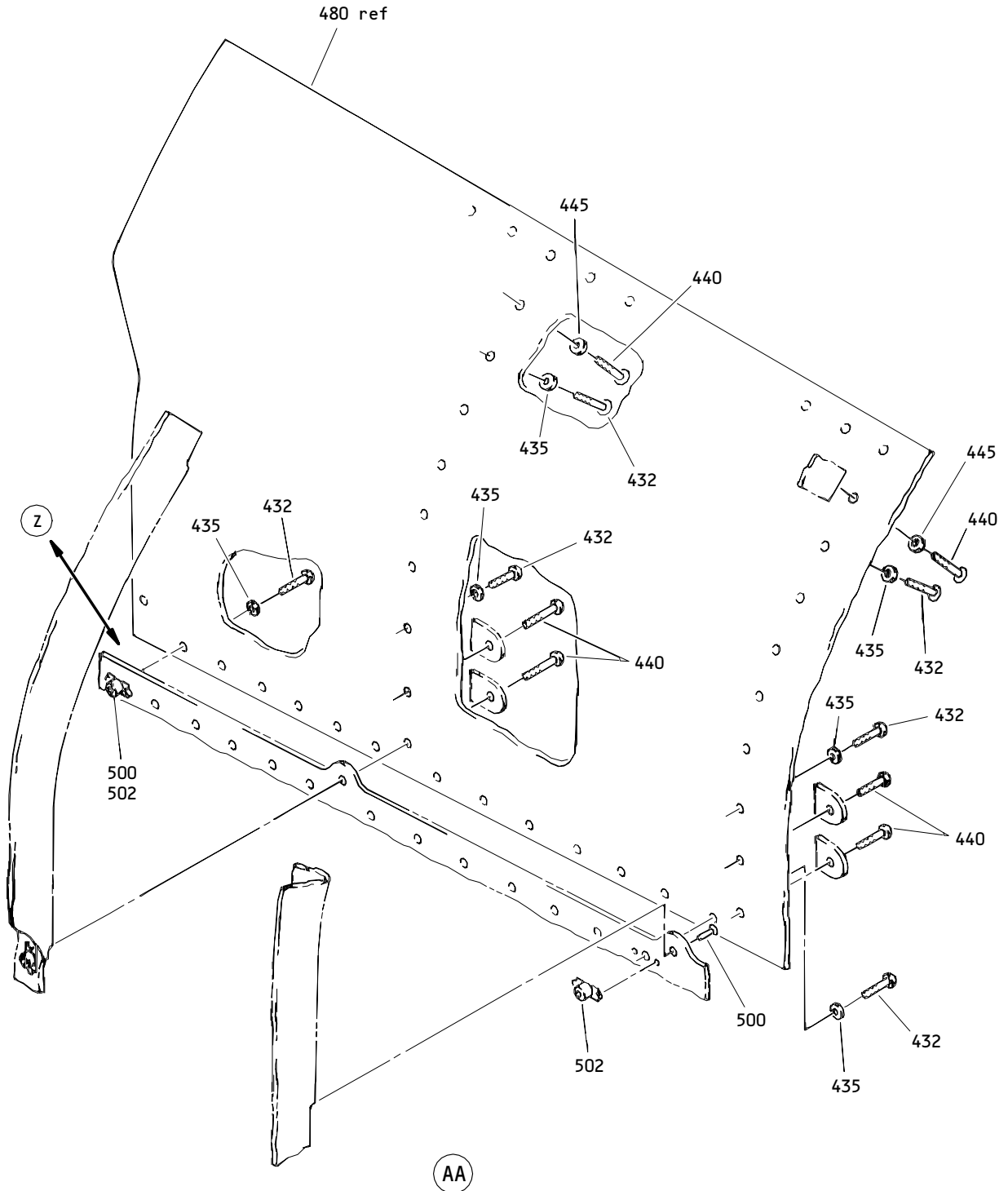
ILLUSTRATED PARTS LIST
01.1 Page 1086G
Jul 01/03



Inboard Slat No. 6 and 7 Wing Leading Edge Structure Assembly
 Figure 5 (Sheet 22)

57-43-37

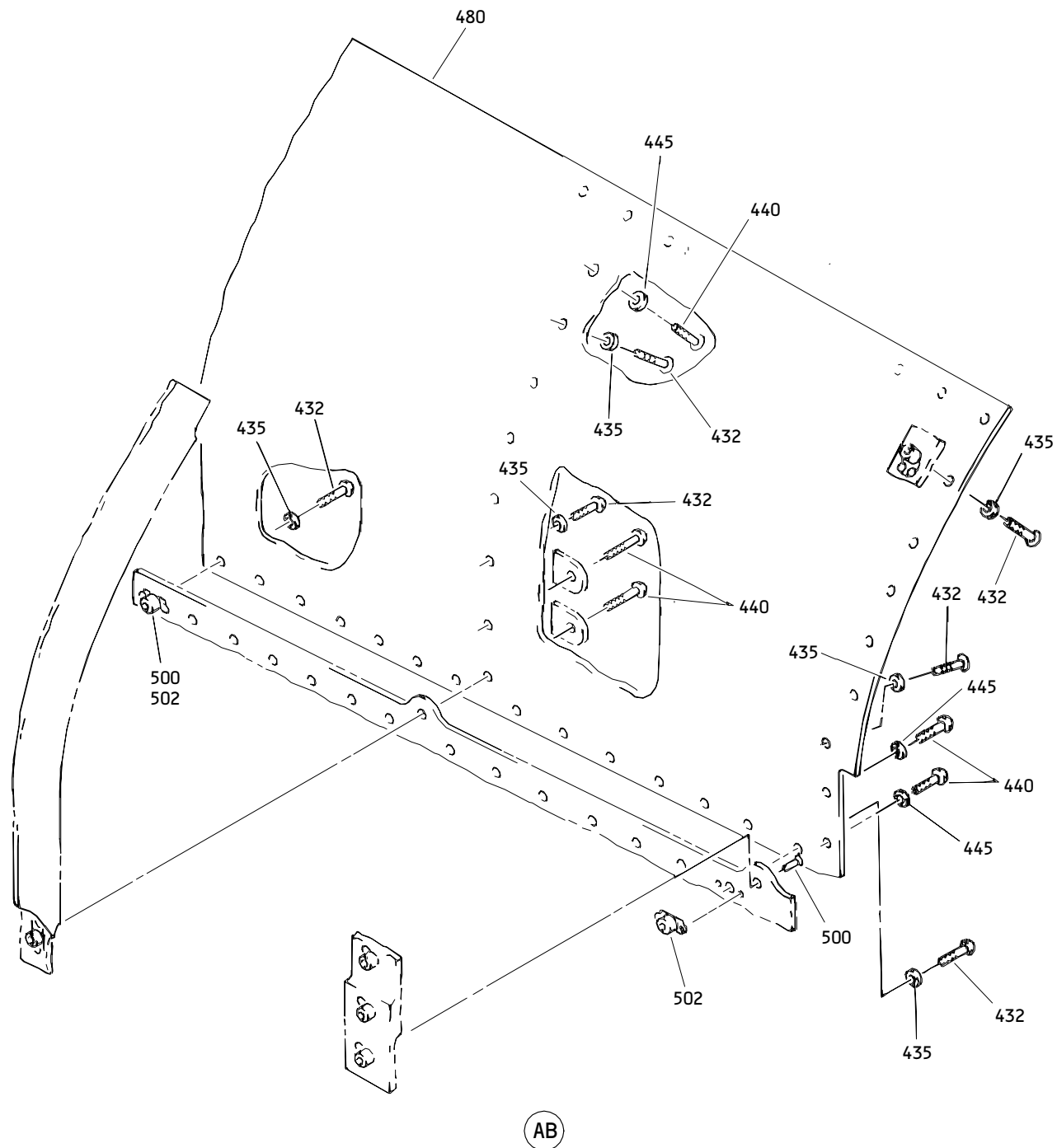
ILLUSTRATED PARTS LIST
 01.1 Page 1086H
 Jul 01/03



Inboard Slat No. 6 and 7 Wing Leading Edge Structure Assembly
Figure 5 (Sheet 23)

57-43-37

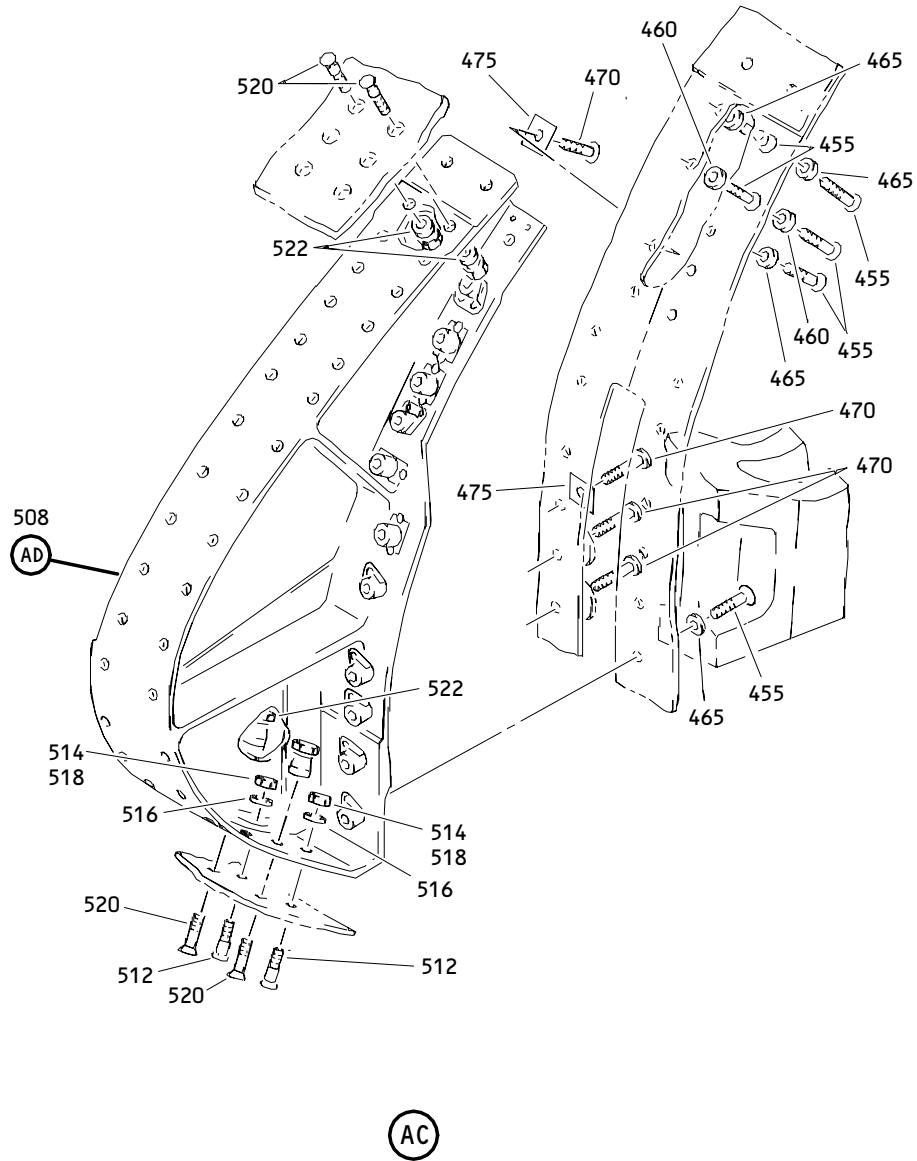
ILLUSTRATED PARTS LIST
01.1 Page 1086I
Jul 01/03



Inboard Slat No. 6 and 7 Wing Leading Edge Structure Assembly
Figure 5 (Sheet 24)

57-43-37

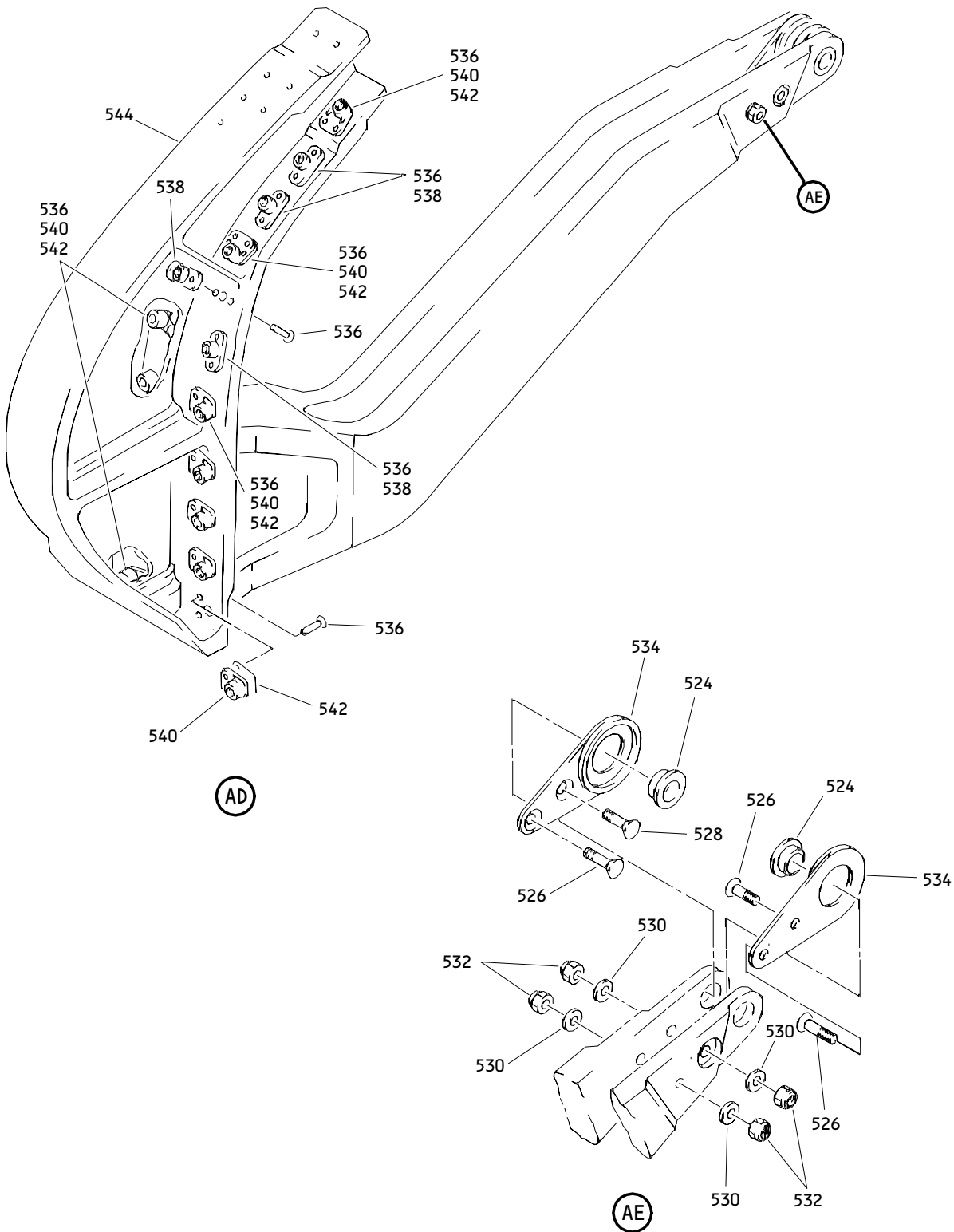
ILLUSTRATED PARTS LIST
01.1 Page 1086J
Jul 01/03



Inboard Slat No. 6 and 7 Wing Leading Edge Structure Assembly
Figure 5 (Sheet 25)

57-43-37

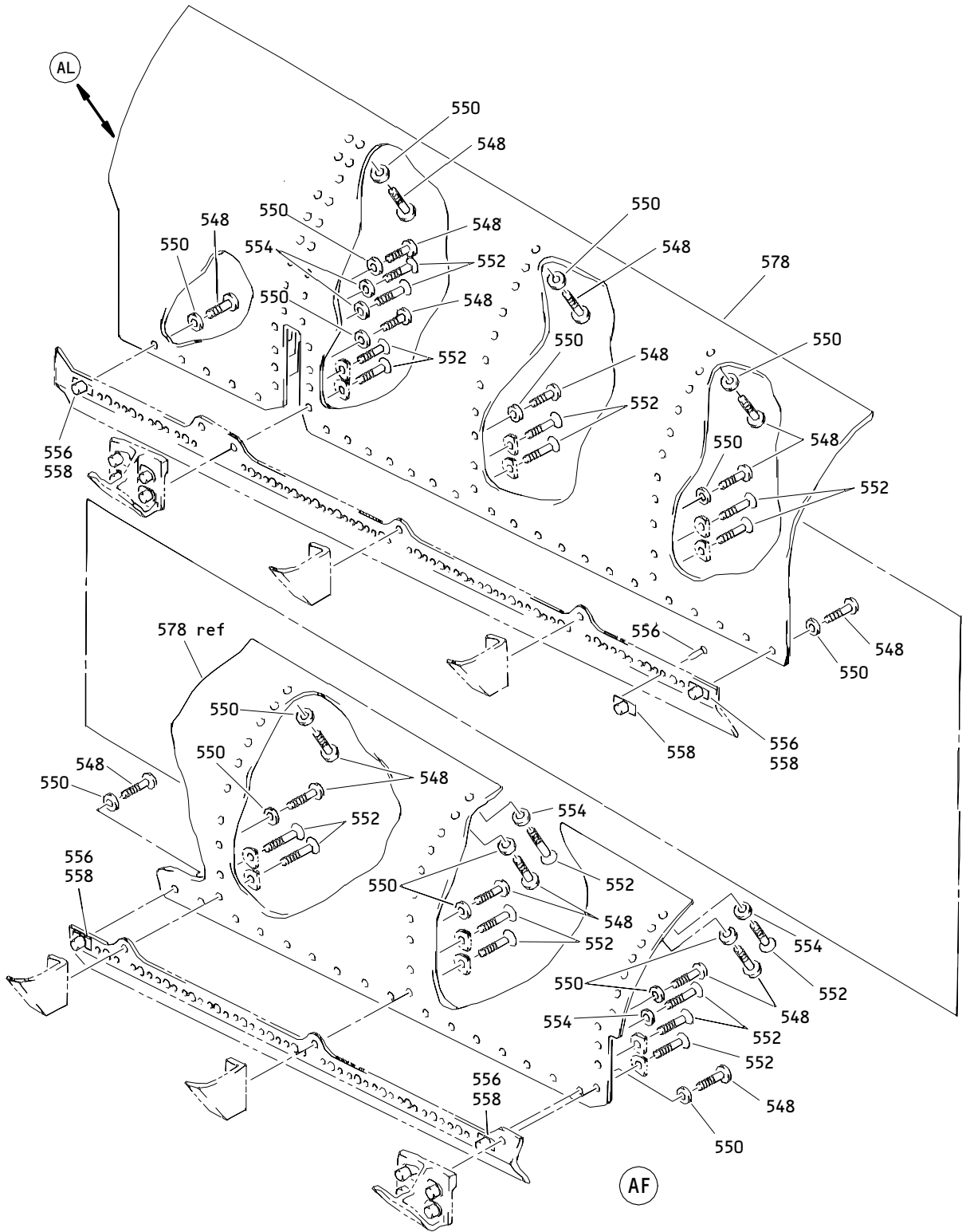
ILLUSTRATED PARTS LIST
01.1 Page 1086K
Jul 01/03



Inboard Slat No. 6 and 7 Wing Leading Edge Structure Assembly
 Figure 5 (Sheet 26)

57-43-37

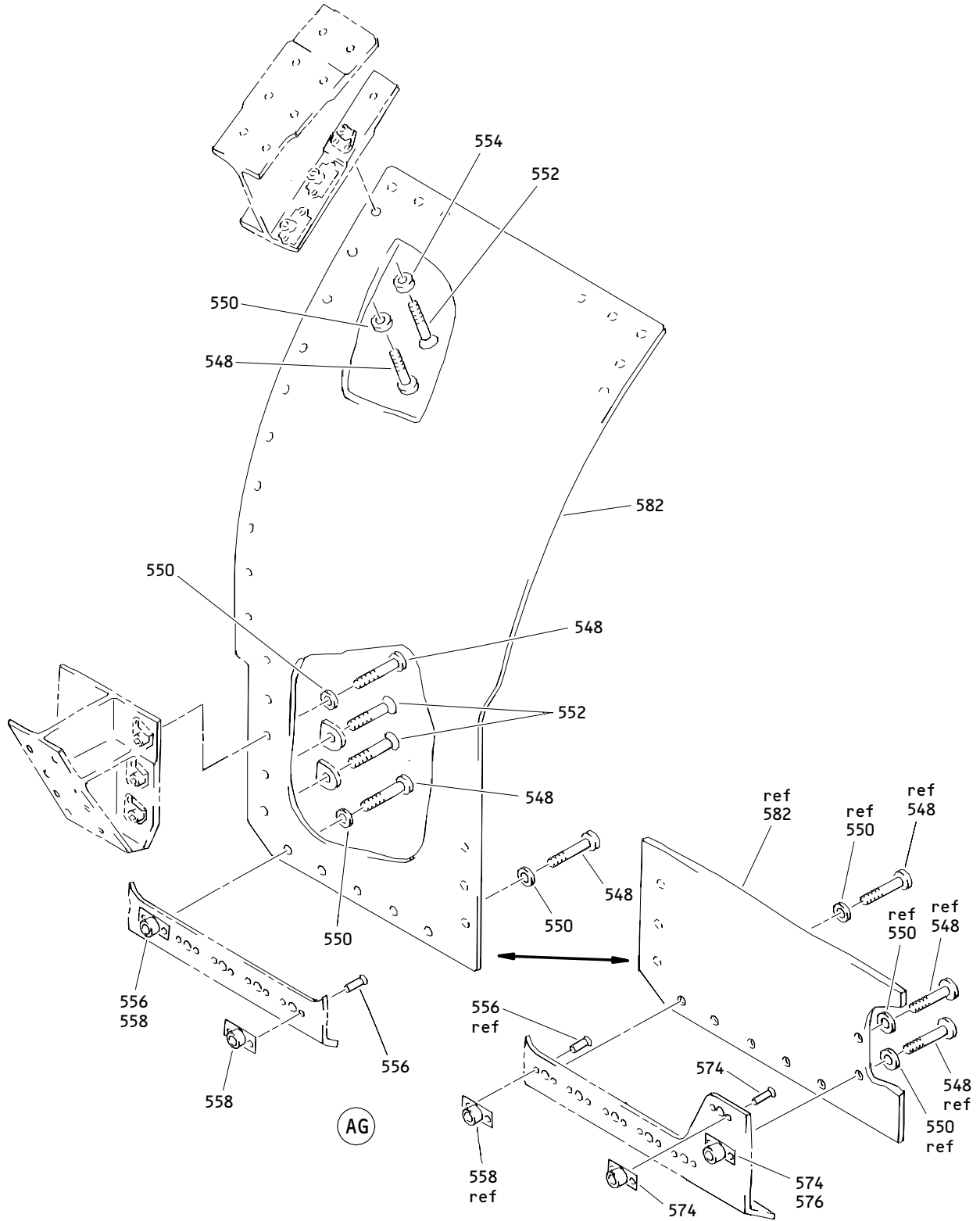
ILLUSTRATED PARTS LIST
 01.1 Page 1086L
 Jul 01/03



Inboard Slat No. 6 and 7 Wing Leading Edge Structure Assembly
Figure 5 (Sheet 27)

57-43-37

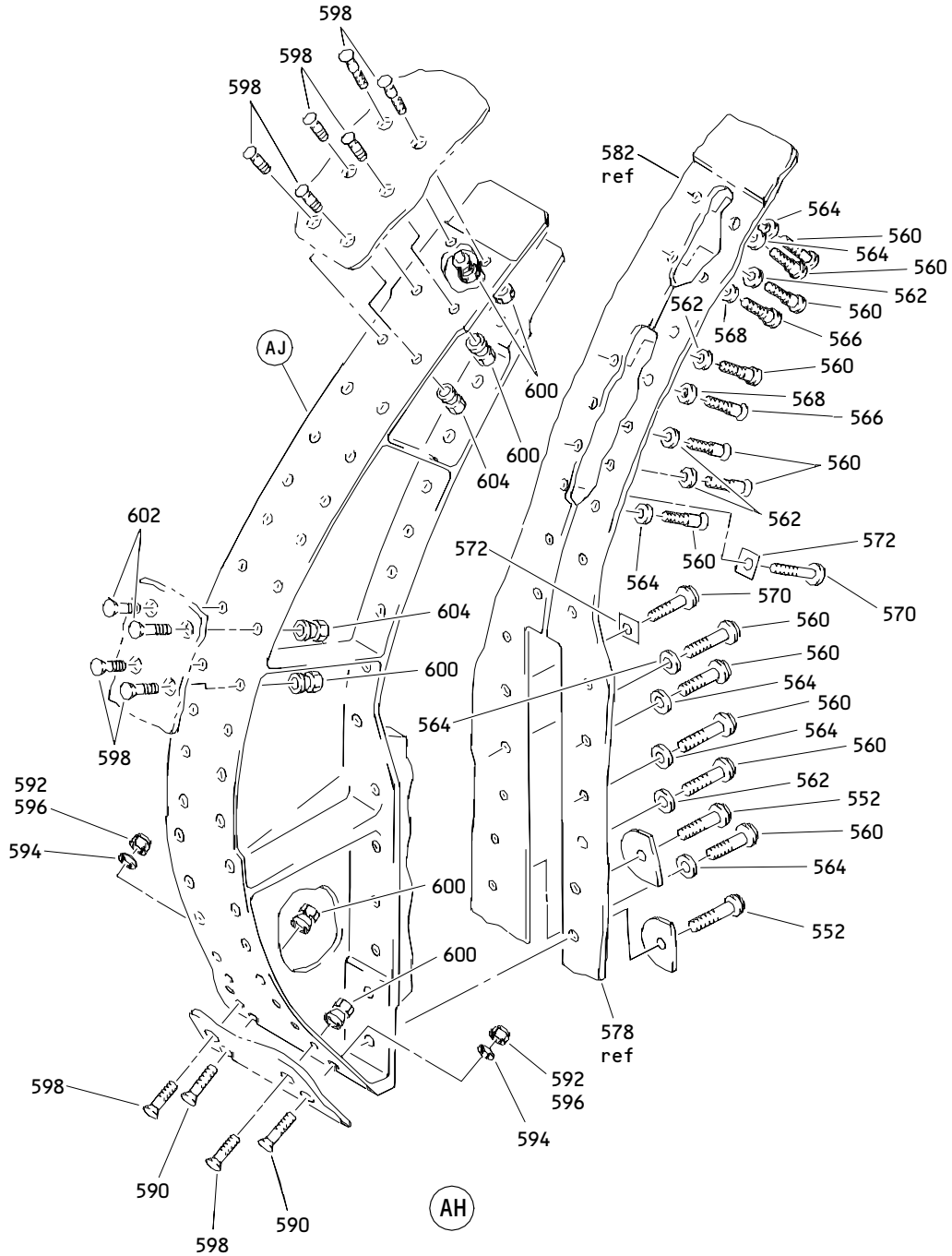
ILLUSTRATED PARTS LIST
01.1 Page 1086M
Jul 01/03



Inboard Slat No. 6 and 7 Wing Leading Edge Structure Assembly
 Figure 5 (Sheet 28)

57-43-37

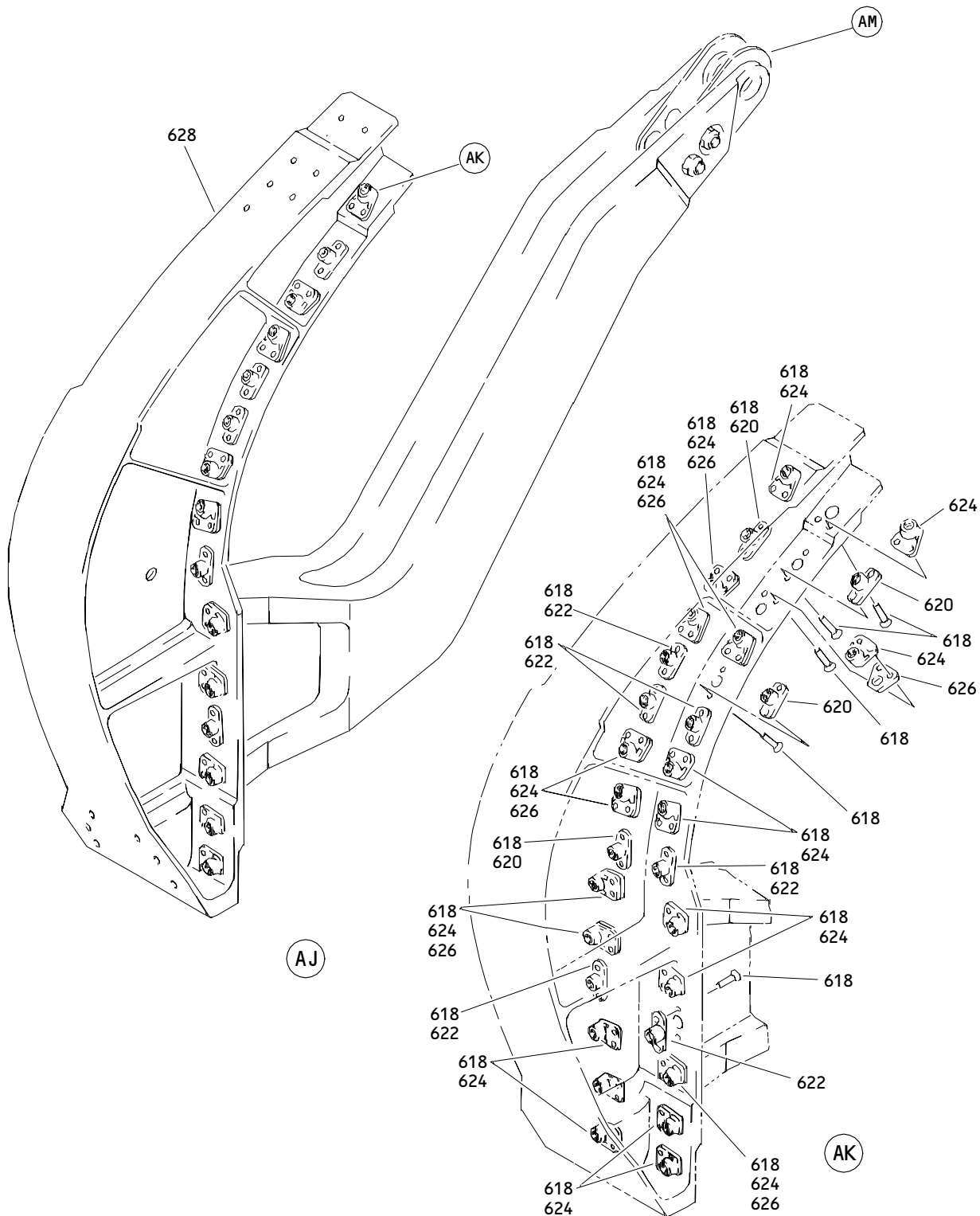
ILLUSTRATED PARTS LIST
 01.1 Page 1086N
 Jul 01/03



Inboard Slat No. 6 and 7 Wing Leading Edge Structure Assembly
Figure 5 (Sheet 29)

57-43-37

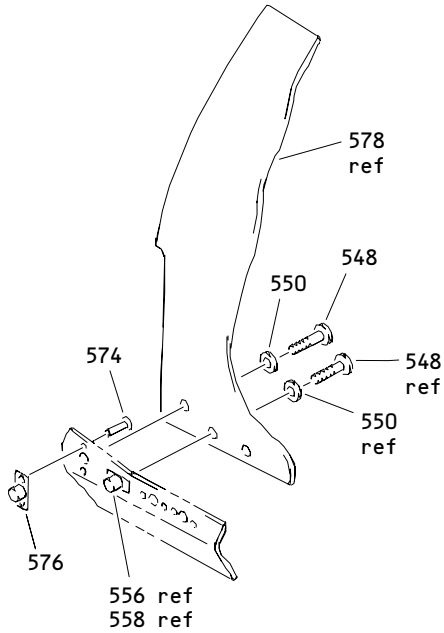
ILLUSTRATED PARTS LIST
01.1 Page 10860
Jul 01/03



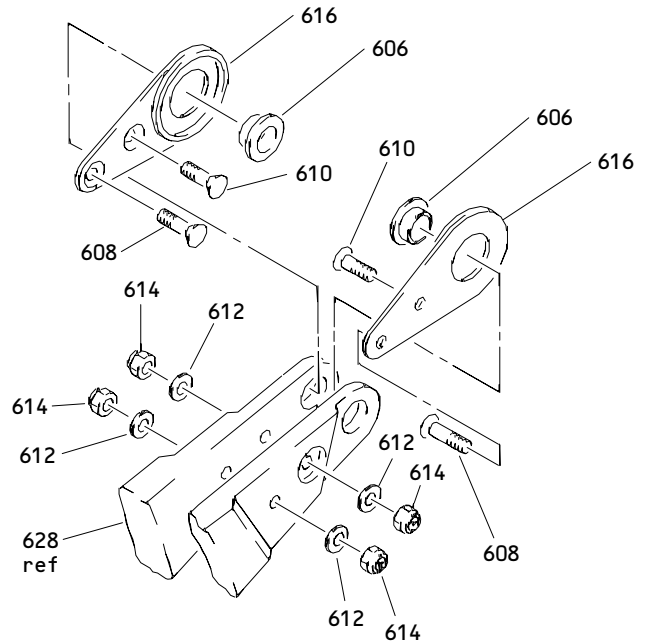
Inboard Slat No. 6 and 7 Wing Leading Edge Structure Assembly
Figure 5 (Sheet 30)

57-43-37

ILLUSTRATED PARTS LIST
01.1 Page 1086P
Jul 01/03



AL

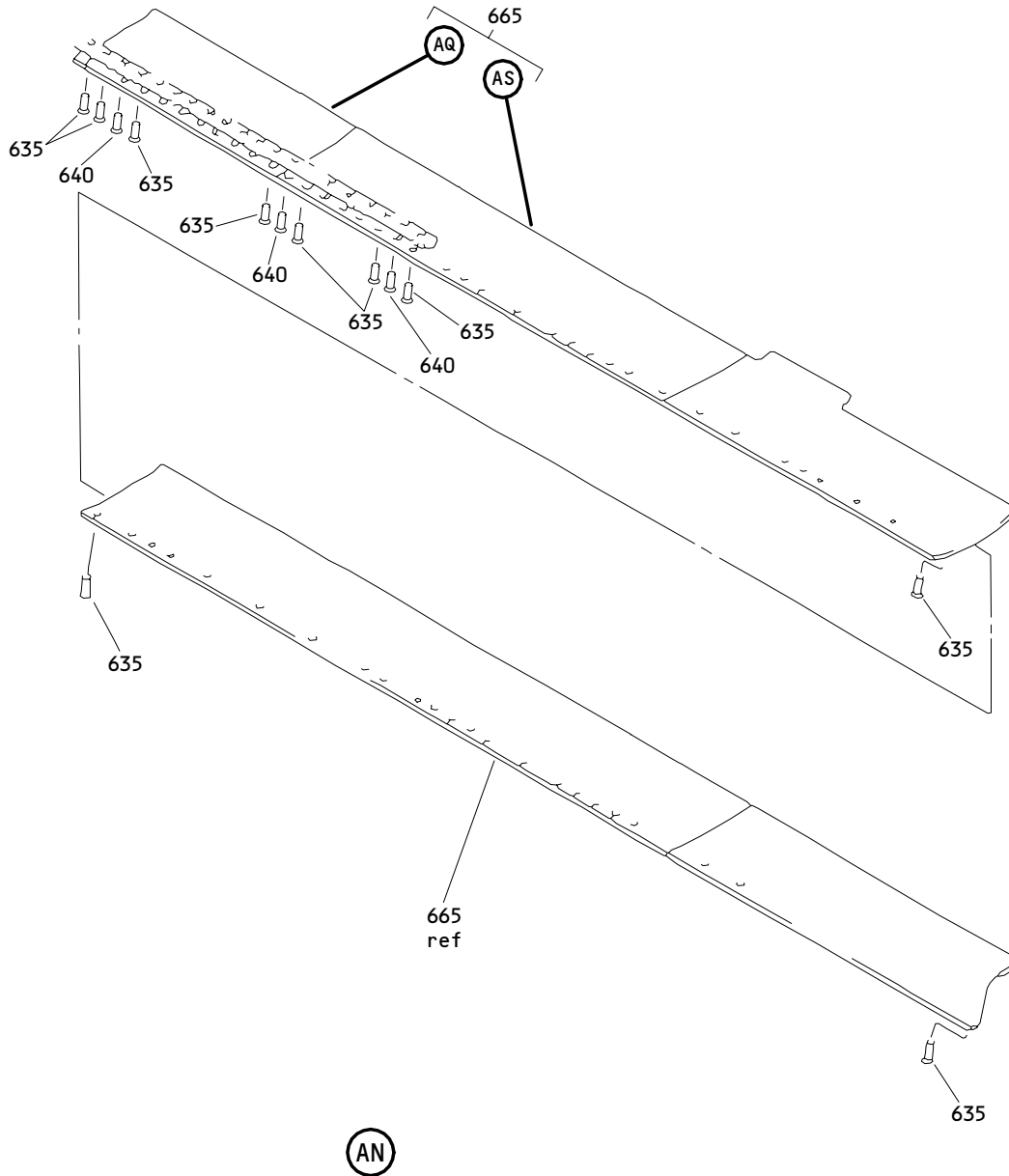


AM

Inboard Slat No. 6 and 7 Wing Leading Edge Structure Assembly
Figure 5 (Sheet 31)

57-43-37

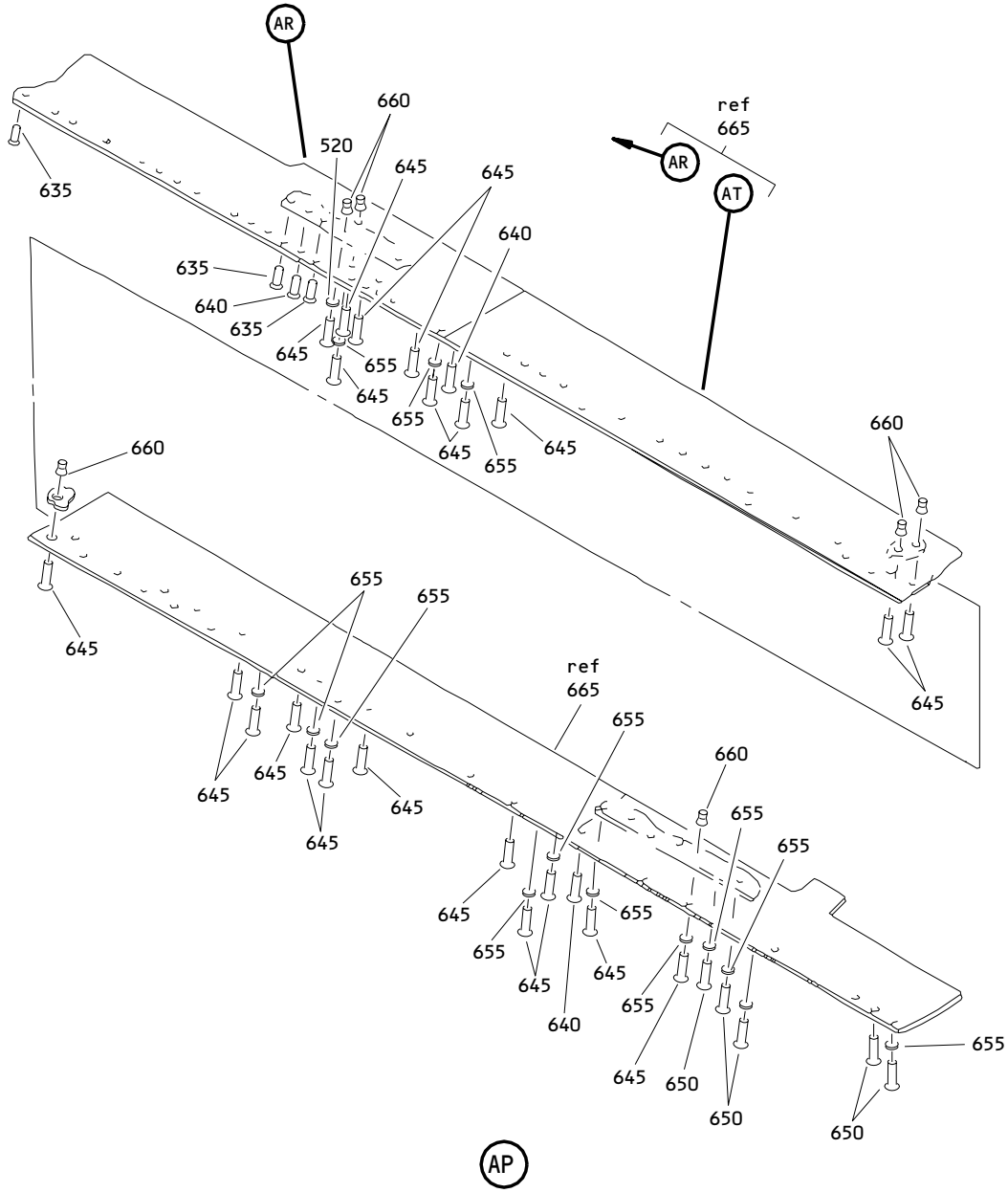
ILLUSTRATED PARTS LIST
01.1 Page 1086Q
Jul 01/03



Inboard Slat No. 6 and 7 Wing Leading Edge Structure Assembly
 Figure 5 (Sheet 32)

57-43-37

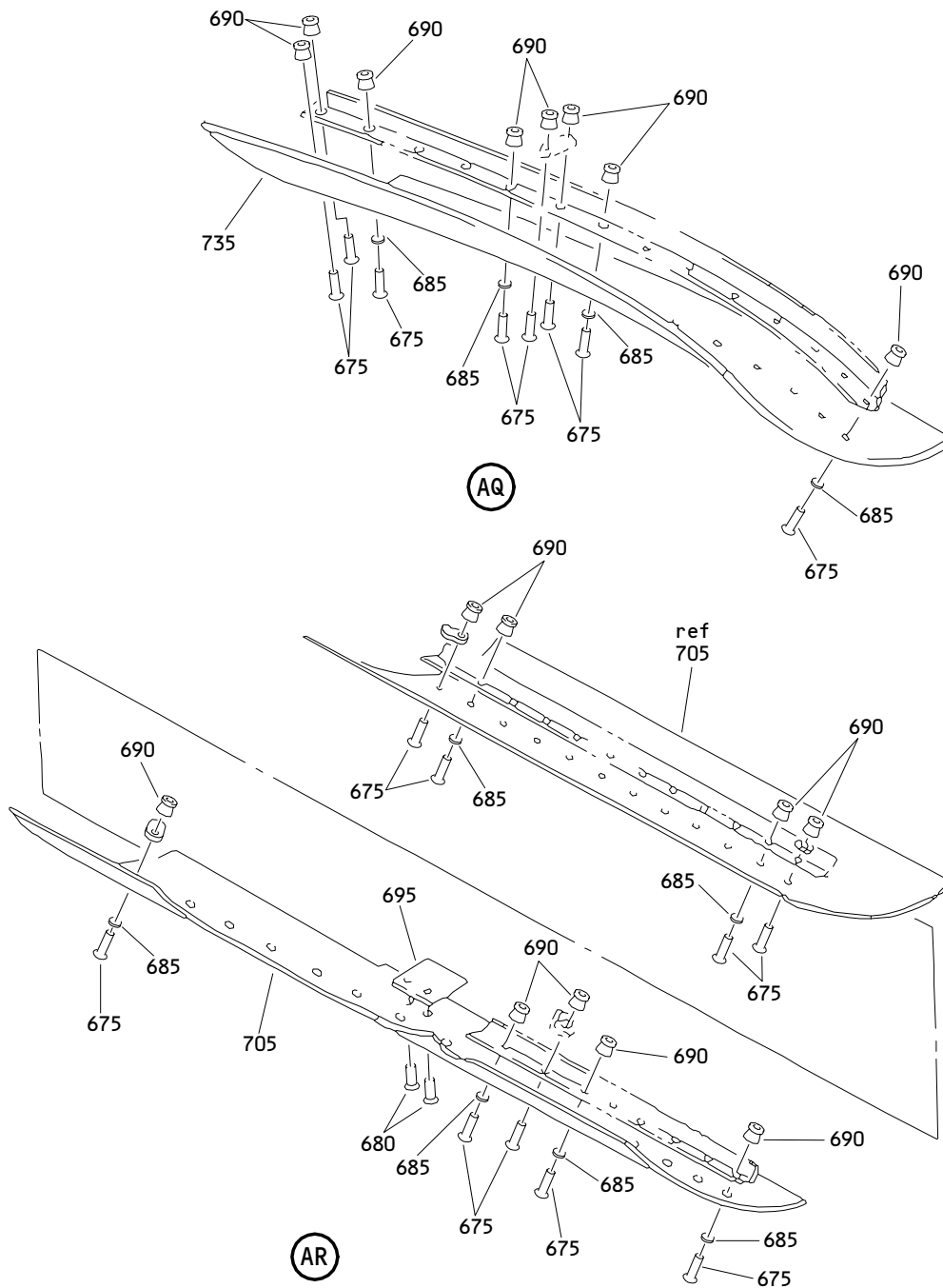
ILLUSTRATED PARTS LIST
 01.1 Page 1086R
 Jul 01/03



Inboard Slat No. 6 and 7 Wing Leading Edge Structure Assembly
Figure 5 (Sheet 33)

57-43-37

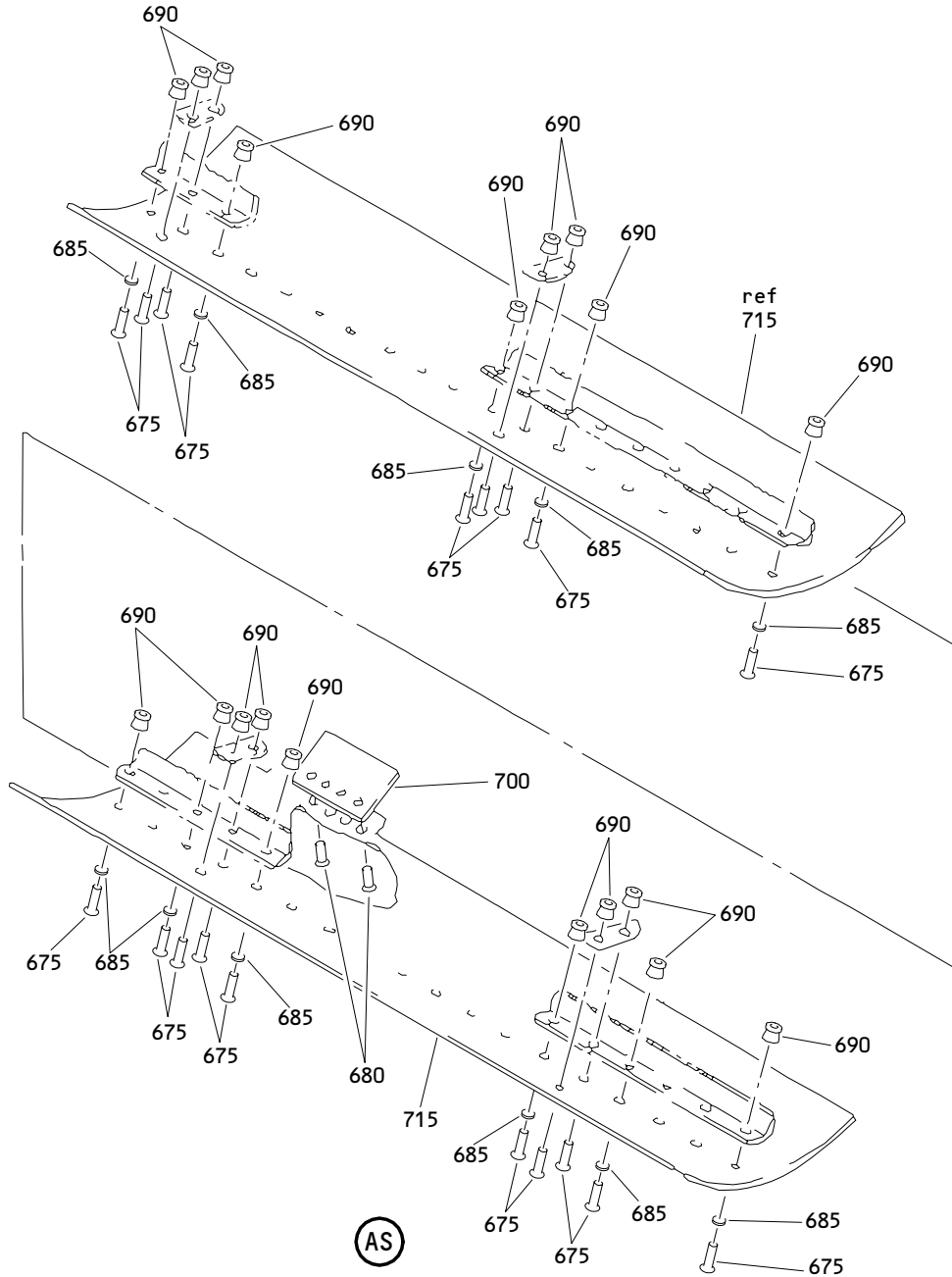
ILLUSTRATED PARTS LIST
01.1 Page 1086S
Jul 01/03



Inboard Slat No. 6 and 7 Wing Leading Edge Structure Assembly
 Figure 5 (Sheet 34)

57-43-37

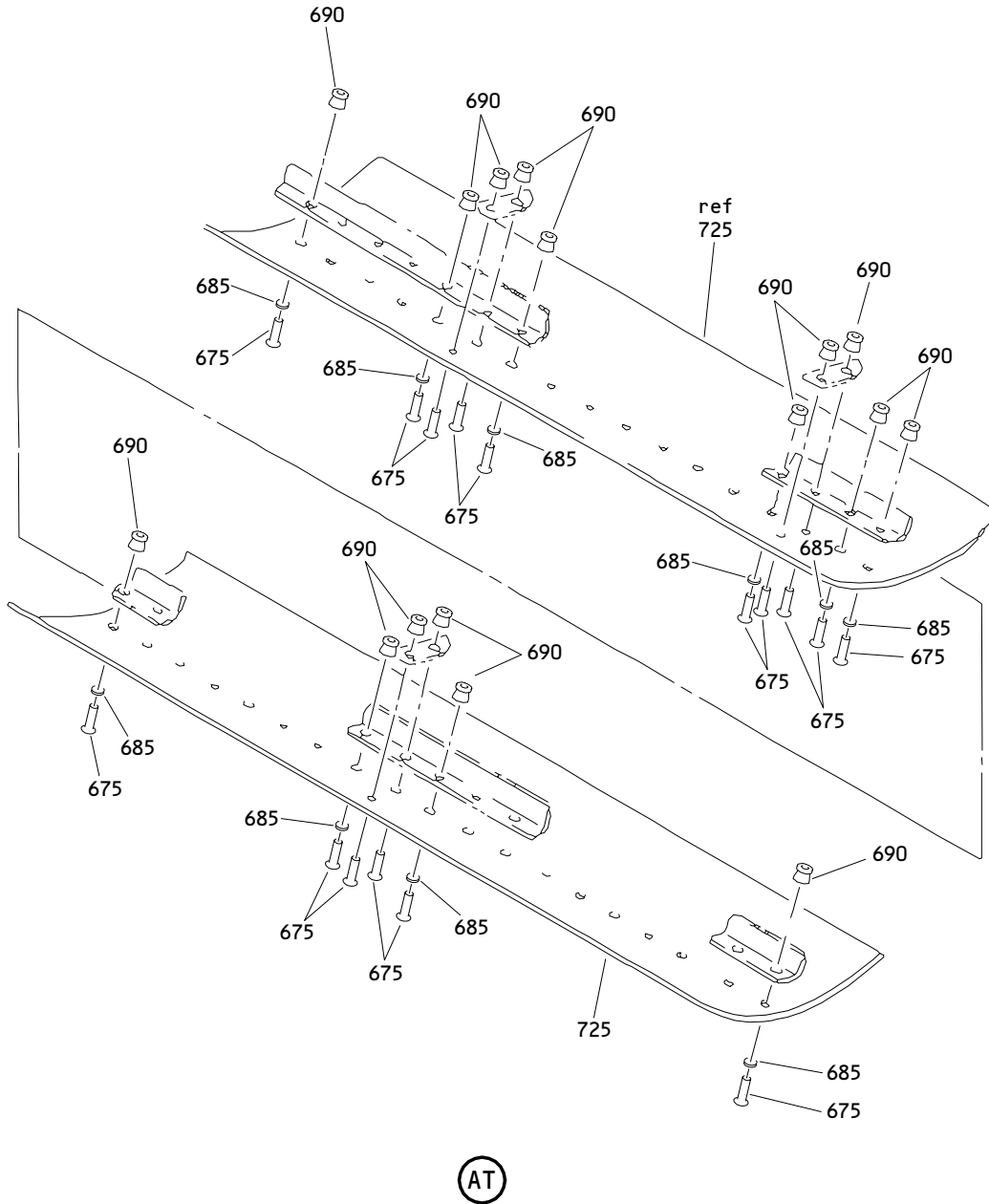
ILLUSTRATED PARTS LIST
 01.1 Page 1086T
 Jul 01/03



Inboard Slat No. 6 and 7 Wing Leading Edge Structure Assembly
Figure 5 (Sheet 35)

57-43-37

ILLUSTRATED PARTS LIST
01.1 Page 1086U
Jul 01/03



Inboard Slat No. 6 and 7 Wing Leading Edge Structure Assembly
Figure 5 (Sheet 36)

57-43-37

ILLUSTRATED PARTS LIST
01.1 Page 1086V
Jul 01/03

| FIG. & ITEM | PART NO. | AIRLINE PART NUMBER | NOMENCLATURE 1234567 | EFF CODE | QTY PER ASSY |
|-------------|--------------|---------------------|--|----------|--------------|
| 05- -1 | 114T3100-17 | | STRUCTURE ASSY-SLAT NO. 6 INBD LE (VARIABLE) (LH) (PRE SB 767-57A0057) (FOR ADDITIONAL DETAILS SEE FIG. 6) | R | RF |
| -1A | 114T3100-23 | | STRUCTURE ASSY-SLAT NO. 6 INBD LE (VARIABLE) (LH) (PRE SB 767-57A0057) (FOR ADDITIONAL DETAILS SEE FIG. 6) | V | RF |
| -1B | 114T3100-31 | | STRUCTURE ASSY-SLAT NO. 6 INBD LE (VARIABLE) (LH) (PRE SB 767-57A0057) (FOR ADDITIONAL DETAILS SEE FIG. 6) | Z | RF |
| -1C | 114T3100-39 | | STRUCTURE ASSY-SLAT NO. 6 INBD LE (VARIABLE) (LH) (PRE SB 767-57A0057) (FOR ADDITIONAL DETAILS SEE FIG. 6) | AL | RF |
| -1D | 114T3100-41 | | STRUCTURE ASSY-SLAT NO. 6 INBD LE (VARIABLE) (LH) (FOR ADDITIONAL DETAILS SEE FIG. 6) | E | RF |
| -1E | 114T3100-45 | | DELETED | | |
| -1F | 114T3100-47 | | DELETED | | |
| -1G | 015T1507-615 | | STRUCTURE ASSY-SLAT NO. 6 INBD LE (LH) (POST SB 767-57A0057) (FOR ADDITIONAL DETAILS SEE FIG. 6) | CU | RF |
| -1H | 015T1507-655 | | STRUCTURE ASSY-SLAT NO. 6 INBD LE (LH) (POST SB 767-57A0057) (FOR ADDITIONAL DETAILS SEE FIG. 6) | CV | RF |
| -1J | 015T1507-623 | | STRUCTURE ASSY-SLAT NO. 6 INBD LE (LH) (POST SB 767-57A0057) (FOR ADDITIONAL DETAILS SEE FIG. 6) | CW | RF |

57-43-37

| FIG. & ITEM | PART NO. | AIRLINE PART NUMBER | NOMENCLATURE 1234567 | EFF CODE | QTY PER ASSY |
|-------------|--------------|---------------------|--|----------|--------------|
| 05- -1K | 015T1507-663 | | STRUCTURE ASSY-SLAT NO. 6 INBD LE (LH) (POST SB 767-57A0057) (FOR ADDITIONAL DETAILS SEE FIG. 6) | CX | RF |
| -1L | 015T1507-629 | | STRUCTURE ASSY-SLAT NO. 6 INBD LE (LH) (POST SB 767-57A0057) (FOR ADDITIONAL DETAILS SEE FIG. 6) | CY | RF |
| -1M | 015T1507-669 | | STRUCTURE ASSY-SLAT NO. 6 INBD LE (LH) (POST SB 767-57A0057) (FOR ADDITIONAL DETAILS SEE FIG. 6) | CZ | RF |
| -1N | 015T1507-637 | | STRUCTURE ASSY-SLAT NO. 6 INBD LE (LH) (POST SB 767-57A0057) (FOR ADDITIONAL DETAILS SEE FIG. 6) | DA | RF |
| -1P | 015T1507-677 | | STRUCTURE ASSY-SLAT NO. 6 INBD LE (LH) (POST SB 767-57A0057) (FOR ADDITIONAL DETAILS SEE FIG. 6) | DB | RF |
| -5 | 114T3100-18 | | STRUCTURE ASSY-SLAT NO. 7 INBD LE (VARIABLE) (RH) (PRE SB 767-57A0057) (FOR ADDITIONAL DETAILS SEE FIG. 6) | S | RF |
| -5A | 114T3100-24 | | STRUCTURE ASSY-SLAT NO. 7 INBD LE (VARIABLE) (RH) (PRE SB 767-57A0057) (FOR ADDITIONAL DETAILS SEE FIG. 6) | W | RF |
| -5B | 114T3100-32 | | STRUCTURE ASSY-SLAT NO. 7 INBD LE (VARIABLE) (RH) (PRE SB 767-57A0057) (FOR ADDITIONAL DETAILS SEE FIG. 6) | AC | RF |
| -5C | 114T3100-40 | | STRUCTURE ASSY-SLAT NO. 7 INBD LE (VARIABLE) (RH) (PRE SB 767-57A0057) (FOR ADDITIONAL DETAILS SEE FIG. 6) | AN | RF |

57-43-37

 ILLUSTRATED PARTS LIST
 01.1 Page 1086X
 Jul 01/03

| FIG. & ITEM | PART NO. | AIRLINE PART NUMBER | NOMENCLATURE 1234567 | EFF CODE | QTY PER ASSY |
|-------------|--------------|---------------------|--|----------|--------------|
| 05- -5D | 114T3100-42 | | STRUCTURE ASSY-SLAT NO. 7 INBD LE (VARIABLE) (RH) (FOR ADDITIONAL DETAILS SEE FIG. 6) | F | RF |
| -5E | 114T3100-46 | | DELETED | | |
| -5F | 114T3100-48 | | DELETED | | |
| -5G | 015T1507-616 | | STRUCTURE ASSY-SALT NO. 7 INBD LE (RH) (POST SB 767-57A0057) (FOR ADDITIONAL DETAILS SEE FIG. 6) | DC | RF |
| -5H | 015T1507-656 | | STRUCTURE ASSY-SALT NO. 7 INBD LE (RH) (POST SB 767-57A0057) (FOR ADDITIONAL DETAILS SEE FIG. 6) | DD | RF |
| -5J | 015T1507-624 | | STRUCTURE ASSY-SALT NO. 7 INBD LE (RH) (POST SB 767-57A0057) (FOR ADDITIONAL DETAILS SEE FIG. 6) | DE | RF |
| -5K | 015T1507-664 | | STRUCTURE ASSY-SALT NO. 7 INBD LE (RH) (POST SB 767-57A0057) (FOR ADDITIONAL DETAILS SEE FIG. 6) | DF | RF |
| -5L | 015T1507-630 | | STRUCTURE ASSY-SALT NO. 7 INBD LE (RH) (POST SB 767-57A0057) (FOR ADDITIONAL DETAILS SEE FIG. 6) | DG | RF |
| -5M | 015T1507-670 | | STRUCTURE ASSY-SALT NO. 7 INBD LE (RH) (POST SB 767-57A0057) (FOR ADDITIONAL DETAILS SEE FIG. 6) | DH | RF |
| -5N | 015T1507-638 | | STRUCTURE ASSY-SALT NO. 7 INBD LE (RH) (POST SB 767-57A0057) (FOR ADDITIONAL DETAILS SEE FIG. 6) | DJ | RF |

57-43-37

| FIG. & ITEM | PART NO. | AIRLINE PART NUMBER | NOMENCLATURE 1234567 | EFF CODE | QTY PER ASSY |
|-------------|--------------|---------------------|---|---|--------------|
| 05-5P | 015T1507-678 | | STRUCTURE ASSY-SALT NO. 7 INBD LE (RH) (POST SB 767-57A0057) (FOR ADDITIONAL DETAILS SEE FIG. 6) | DK | RF |
| -10 | 114T3200-7 | | .SEAL INSTL- (FOR DETAILS SEE FIG. 3) | E,R,V ,Z,AL ,CU- DB | 1 |
| -15 | 114T3200-8 | | .SEAL INSTL- (FOR DETAILS SEE FIG. 3) | F,S,W ,AC,A N,D C-DK | 1 |
| 18 | BACR15BA3AD | | .RIVET- (SIZE DETERMINE ON INST) | E,F,R ,S,V, W,Z,A C,AL, AN CU-DK | 74 |
| 20 | BRFM20A3 | | .NUTPLATE- (V52828) (SPEC BACN10JN3) (OPT MF1000-3BAC (V15653)) (OPT NS103218-02 (V80539)) (OPT RMF9201M3 (V72962)) (OPT VN252A02 (V92215)) (OPT MF1000-3BAC (V15653)) (OPT MF53049-3 (V15653)) | E,F,R ,S,V, W,Z,A C,AL, AN CU-DK | 2 |

57-43-37

ILLUSTRATED PARTS LIST
 01.1 Page 1086Z
 Jul 01/03

| FIG. & ITEM | PART NO. | AIRLINE PART NUMBER | NOMENCLATURE 1234567 | EFF CODE | QTY PER ASSY |
|-------------|-------------|---------------------|---|---|--------------|
| 05-22 | BRFM22A5-3 | | .NUTPLATE- (V52828) (SPEC BACN10JQ35) (OPT MF19058-3-5BAC (V15653)) | E,F,R ,S,V, W,Z,A C,AL, AN CU-DK | 1 |
| 25 | BRFM22A4-3 | | .NUTPLATE- (V52828) (SPEC BACN10JQ34) (OPT MF19058-3-4BAC (V15653)) | E,F,R ,S,V, W,Z,A C,AL, AN CU-DK | 4 |
| 30 | BACN10JQ32 | | .NUTPLATE | E,F,R ,S,V, W,Z,A C,AL, AN CU-DK | 30 |
| 35 | BACR15BA3AD | | .RIVET- (SIZE DETERMINE ON INST) | E,F,R ,S,V, W,Z,A C,AL, AN CU-DK | 20 |
| 40 | BACN10JQ32 | | .NUTPLATE | E,F,R ,S,V, W,Z,A C,AL, AN CU-DK | 10 |

57-43-37

| FIG. & ITEM | PART NO. | AIRLINE PART NUMBER | NOMENCLATURE 1234567 | EFF CODE | QTY PER ASSY |
|-------------|-------------|---------------------|--|------------------------------|--------------|
| 05-45 | 114T3110-13 | | .BOND ASSY-TE WEDGE (114T3110-13 MAY REPLACE 114T3110-9 OR 114T3110-11 FOR CF6-80C2 ENGINE CONFIGURATION) (-13 INTERCHANGEABLE WITH -33 SUBJECT TO CUSTOMER COMPLIANCE WITH A/D 93-14-19) (PRE SB 767-57A0039) (PRE SB 767-57A0057) (FOR SPARES PROCURE 114T3110U13) | R,V | 1 |
| -45A | 114T3110-21 | | .BOND ASSY-TE WEDGE (-21 IS INTERCHANGEABLE WITH -33 ONLY IF CUSTOMER COMPLIES WITH A/D 93-14-19) (PRE SB 767-57A0039) (PRE SB 767-57A0057) (FOR SPARES PROCURE 114T3110U21) | Z | 1 |
| -45B | 114T3110-33 | | .BOND ASSY-TE WEDGE (-13 INTERCHANGEABLE WITH -33 SUBJECT TO CUSTOMER COMPLIANCE WITH A/D 93-14-19) (-21 IS INTERCHANGEABLE WITH -33 ONLY IF CUSTOMER COMPLIES WITH A/D 93-14-19) (POST SB 767-57A0039) (POST SB 767-57A0057) (FOR SPARES PROCURE 114T3110U33) | E,AL, CU,CW ,CY, DA | 1 |
| -45C | 114T3110-37 | | .BOND ASSY-TE WEDGE (POST SB 767-57A0057) | CV,CX ,CZ, DB | 1 |

57-43-37

ILLUSTRATED PARTS LIST
01.1 Page 1088
Jul 01/03

| FIG. & ITEM | PART NO. | AIRLINE PART NUMBER | NOMENCLATURE 1234567 | EFF CODE | QTY PER ASSY |
|-------------|-------------|---------------------|--|---|--------------|
| 05- -50 | 114T3110-14 | | .BOND ASSY-TE WEDGE (114T3110-14 MAY REPLACE 114T3110-12 OR 114T3110-10 FOR CF6-80C2 ENGINE CONFIGURATION) (-14 INTERCHANGEABLE WITH -34 SUBJECT TO CUSTOMER COMPLIANCE WITH A/D 93-14-19) (PRE SB 767-57A0039) (PRE SB 767-57A0057) (FOR SPARES PROCURE 114T311U14) | S,W | 1 |
| -50A | 114T3110-22 | | .BOND ASSY-TE WEDGE (-22 IS INTERCHANGEABLE WITH -34 ONLY IF CUSTOMER COMPLIES WITH A/D 93-14-19) (PRE SB 767-57A0039) (PRE SB 767-57A0057) (FOR SPARES PROCURE 114T3110U22) | AC | 1 |
| -50B | 114T3110-34 | | .BOND ASSY-TE WEDGE (-14 INTERCHANGEABLE WITH -34 SUBJECT TO CUSTOMER COMPLIANCE WITH A/D 93-14-19) (-22 IS INTERCHANGEABLE WITH -34 ONLY IF CUSTOMER COMPLIES WITH A/D 93-14-19) (POST SB 767-57A0039) (POST SB 767-57A0057) (FOR SPARES PROCURE 114T3110U34) | F,AN, DC,DE ,DG,D J | 1 |
| -50C | 114T3110-38 | | .BOND ASSY-TE WEDGE (POST SB 767-57A0057) | DD,DF ,DH,D K | 1 |
| 55 | BACR15CE5KE | | ATTACHING PARTS .RIVET- (SIZE DETERMINE ON INST) | E,F,R ,S,V, W,Z,A C,AL, AN CU-DK | 1 |

57-43-37

| FIG. & ITEM | PART NO. | AIRLINE PART NUMBER | NOMENCLATURE 1234567 | EFF CODE | QTY PER ASSY |
|-------------|-------------|---------------------|---|---|--------------|
| 05-60 | BACR15CE5KE | | .RIVET- (REPLD BY ITEM 65) (SIZE DETERMINE ON INST) | E,F,R ,S,V, W,Z,A C,AL, AN CU-DK | 62 |
| 65 | BACB30NW5K | | .BOLT- (REPLS ITEM 60) (SIZE DETERMINE ON INST) | E,F,R ,S,V, W,Z,A C,AL, AN CU-DK | 62 |
| 70 | HL70-5 | | .COLLAR- (V56878) (SPEC BACC30M5) (OPT HL70-5 (V73197)) (OPT HL70-5 (V92215)) (OPT 66014-5 (V56878)) (OPT HL79-5 (V5M902)) (USED WITH ITEM 65) | E,F,R ,S,V, W,Z,A C,AL, AN CU-DK | 62 |
| 75 | BACB30NW6K | | .BOLT- (SIZE DETERMINE ON INST) | E,F,R ,S,V, W,Z,A C,AL, AN CU-DK | 123 |

57-43-37

 ILLUSTRATED PARTS LIST
 01.1 Page 1088B
 Jul 01/03

| FIG. & ITEM | PART NO. | AIRLINE PART NUMBER | NOMENCLATURE 1234567 | EFF CODE | QTY PER ASSY |
|-------------|-------------|---------------------|--|---|--------------|
| 05-80 | HL79-6 | | .COLLAR- (V56878) (SPEC BACC30M6) (OPT HL79-6 (V73197)) (OPT HL79-6 (V92215)) (OPT 66014-6 (V56878)) (OPT HL79-6 (V5M902)) | E,F,R ,S,V, W,Z,A C,AL, AN CU-DK | 96 |
| 85 | HL82-6APBW | | .COLLAR- (V73197) (SPEC BACC30AG6) (OPT HL82-6APBW (V92215)) (OPT HL82-6APBW (V56878)) (OPT HL82-6APBW (V5M902)) | E,F,R ,S,V, W,Z,A C,AL, AN CU-DK | 27 |
| 90 | BACB30NT3K3 | | .BOLT | E,F,R ,S,V, W,Z,A C,AL, AN CU-DK | 67 |
| 95 | AN960PD10L | | .WASHER | E,F,R ,S,V, W,Z,A C,AL, AN CU-DK | 67 |

57-43-37

| FIG. & ITEM | PART NO. | AIRLINE PART NUMBER | NOMENCLATURE 1234567 | EFF CODE | QTY PER ASSY |
|-------------|-------------|---------------------|----------------------------------|--|--------------|
| 05- 100 | BACB30NT3K3 | | DELETED | | |
| 105 | AN960PD10L | | DELETED | | |
| 110 | BACB30NN3K6 | | .BOLT | E, F, R , S, V, W, Z, A C, AL, AN CU-DK | 23 |
| 115 | 114T3101-1 | | .WASHER | E, F, R , S, V, W, Z, A C, AL, AN CU-DK | 23 |
| 120 | 114T3101-2 | | .WASHER | E, F, R , S, V, W, Z, A C, AL, AN CU-DK | 1 |
| 125 | BACB30NT3K3 | | .BOLT- (REPLD BY ITEM 135) | E, F, R , S, V, W, Z, A C, AL, AN CU-DK | 6 |
| 130 | AN960PD10L | | .WASHER- (USED WITH ITEM 125) | E, F, R , S, V, W, Z, A C, AL, AN CU-DK | 6 |
| 135 | BACB30NN3K6 | | .BOLT- (REPLS ITEM 125) | E, F, R , S, V, W, Z, A C, AL, AN CU-DK | 6 |
| 140 | 114T3101-1 | | .WASHER- (USED WITH ITEM 135) | E, F, R , S, V, W, Z, A C, AL, AN CU-DK | 6 |

57-43-37

ILLUSTRATED PARTS LIST
01.1 Page 1088D
Jul 01/03

| FIG. & ITEM | PART NO. | AIRLINE PART NUMBER | NOMENCLATURE 1234567 | EFF CODE | QTY PER ASSY |
|-------------|---------------|---------------------|--|---|--------------|
| 05-145 | BACB30MY6K | | .BOLT- (REPLD BY ITEM 155) (SIZE DETERMINE ON INST) | E,F,R ,S,V, W,Z,A C,AL, AN CU-DK | 6 |
| 150 | HL79-6 | | .COLLAR- (V56878) (SPEC BACC30M6) (OPT HL79-6 (V73197)) (OPT HL79-6 (V92215)) (OPT 66014-6 (V56878)) (OPT HL79-6 (V5M902)) (USED WITH ITEM 145) | E,F,R ,S,V, W,Z,A C,AL, AN CU-DK | 6 |
| 155 | BACB30NN3K6 | | .BOLT- (REPLS ITEM 145) | E,F,R ,S,V, W,Z,A C,AL, AN CU-DK | 6 |
| 160 | 114T3101-2 | | .WASHER- (USED WITH ITEM 155) | E,F,R ,S,V, W,Z,A C,AL, AN CU-DK | 6 |
| 165 | BACS40R09B09F | | .SHIM | E,F,R ,S,V, W,Z,A C,AL, AN CU-DK | 12 |
| 170 | BACS40R09B18F | | .SHIM | E,F,R ,S,V, W,Z,A C,AL, AN CU-DK | 5 |

57-43-37

| FIG. & ITEM | PART NO. | AIRLINE PART NUMBER | NOMENCLATURE 1234567 | EFF CODE | QTY PER ASSY |
|-------------|---------------|---------------------|--|---|--------------|
| 05-175 | BACS40R09B20F | | .SHIM | E,F,R ,S,V, W,Z,A C,AL, AN CU-DK | 1 |
| 180 | BACS40R09B18F | | .SHIM -----*----- | E,F,R ,S,V, W,Z,A C,AL, AN CU-DK | 2 |
| 185 | BACR15BA3AD | | ..RIVET- (SIZE DETERMINE ON INST) | E,F,R ,S,V, W,Z,A C,AL, AN CU-DK | 252 |
| 187 | NS103225-02 | | ..NUTPLATE- (V80539) (SPEC BACN10KH3) (OPT RMF9209M3 (V72962)) (OPT F29779-3 (V15653)) | E,F,R ,S,V, W,Z,A C,AL, AN CU-DK | 1 |
| 190 | BRFM20A3 | | ..NUTPLATE- (V52828) (SPEC BACN10JN3) (OPT MF1000-3BAC (V15653)) (OPT NS103218-02 (V80539)) (OPT RMF9201M3 (V72962)) (OPT VN252A02 (V92215)) (OPT MF1000-3BAC (V15653)) (OPT MF53049-3 (V15653)) | E,F,R ,S,V, W,Z,A C,AL, AN CU-DK | 125 |

57-43-37

 ILLUSTRATED PARTS LIST
 01.1 Page 1088F
 Jul 01/03

| FIG. & ITEM | PART NO. | AIRLINE PART NUMBER | NOMENCLATURE 1234567 | EFF CODE | QTY PER ASSY |
|-------------|--------------|---------------------|---|---|--------------|
| 05-195 | BACR15BA3AD | | .RIVET- (SIZE DETERMINE ON INST) | E,F,R ,S,V, W,Z,A C,AL, AN CU-DK | 56 |
| 200 | NS103225-02 | | .NUTPLATE- (V80539) (SPEC BACN10KH3) (OPT RMF9209M3 (V72962)) (OPT F29779-3 (V15653)) | E,F,R ,S,V, W,Z,A C,AL, AN CU-DK | 28 |
| 205 | BACR15BA3AD | | .RIVET- (USED WITH ITEM 155) (SIZE DETERMINE ON INST) | E,F,R ,S,V, W,Z,A C,AL, AN CU-DK | 12 |
| 210 | NS103225-02 | | .NUTPLATE- (V80539) (SPEC BACN10KH3) (OPT RMF9209M3 (V72962)) (OPT F29779-3 (V15653)) (USED WITH ITEM 155) | E,F,R ,S,V, W,Z,A C,AL, AN CU-DK | 6 |
| 215 | NAS1195DD3KH | | .SHIM- (USED WITH ITEM 135) | E,F,R ,S,V, W,Z,A C,AL, AN CU-DK | 6 |

57-43-37

| FIG. & ITEM | PART NO. | AIRLINE PART NUMBER | NOMENCLATURE 1234567 | EFF CODE | QTY PER ASSY |
|-------------|-------------|---------------------|-------------------------|---|--------------|
| 05-220 | BACB30NT3K3 | | .BOLT | E,F,R ,S,V, W,Z,A C,AL, AN CU-DK | 73 |
| 225 | AN960PD10L | | .WASHER | E,F,R ,S,V, W,Z,A C,AL, AN CU-DK | 73 |
| 230 | BACB30NN3K6 | | .BOLT | E,F,R ,S,V, W,Z,A C,AL, AN CU-DK | 19 |
| 235 | 114T3101-1 | | .WASHER | E,F,R ,S,V, W,Z,A C,AL, AN CU-DK | 9 |
| 240 | 114T3161-39 | | .SKIN-COVE | E,R,V ,Z,AL ,CU- DB | 1 |
| -240A | 114T3161-11 | | .SKIN-COVE | E,R,V ,Z,AL ,CU- DB | 1 |

57-43-37

 ILLUSTRATED PARTS LIST
 01.1 Page 1088H
 Jul 01/03

| FIG. & ITEM | PART NO. | AIRLINE PART NUMBER | NOMENCLATURE 1234567 | EFF CODE | QTY PER ASSY |
|-------------|-------------|---------------------|---|---|--------------|
| 05- -245 | 114T3161-40 | | .SKIN-COVE | F,S,W ,AC,A N,D C-DK | 1 |
| -245A | 114T3161-12 | | .SKIN-COVE | F,S,W ,AC,A N,D C-DK | 1 |
| 250 | 114T3161-1 | | .SKIN-COVE | E,R,V ,Z,AL ,CU- DB | 1 |
| -255 | 114T3161-2 | | .SKIN-COVE | F,S,W ,AC,A N,D C-DK | 1 |
| 260 | BACR15BA3AD | | .RIVET- (SIZE DETERMINE ON INST) | E,F,R ,S,V, W,Z,A C,AL, AN CU-DK | 94 |
| 265 | BRFM20A3 | | .NUTPLATE- (V52828) (SPEC BACN10JN3) (OPT MF1000-3BAC (V15653)) (OPT NS103218-02 (V80539)) (OPT RMF9201M3 (V72962)) (OPT VN252A02 (V92215)) (OPT MF1000-3BAC (V15653)) (OPT MF53049-3 (V15653)) | E,F,R ,S,V, W,Z,A C,AL, AN CU-DK | 47 |
| 270 | BACB30NT3K3 | | .BOLT | E,F,R ,S,V, W,Z,A C,AL, AN CU-DK | 23 |

57-43-37

| FIG. & ITEM | PART NO. | AIRLINE PART NUMBER | NOMENCLATURE 1234567 | EFF CODE | QTY PER ASSY |
|-------------|-------------|---------------------|---|--|--------------|
| 05-275 | AN960PD10L | | .WASHER | E, F, R , S, V, W, Z, A C, AL, AN CU-DK | 23 |
| 280 | BACB30NN3K6 | | .BOLT | E, F, R , S, V, W, Z, A C, AL, AN CU-DK | 4 |
| 285 | 114T3101-1 | | .WASHER | E, F, R , S, V, W, Z, A C, AL, AN CU-DK | 2 |
| 290 | BACR15BA3AD | | .RIVET- (SIZE DETERMINE ON INST) | E, F, R , S, V, W, Z, A C, AL, AN CU-DK | 20 |
| 295 | BRFM20A3 | | .NUTPLATE- (V52828) (SPEC BACN10JN3) (OPT MF1000-3BAC (V15653)) (OPT NS103218-02 (V80539)) (OPT RMF9201M3 (V72962)) (OPT VN252A02 (V92215)) (OPT MF1000-3BAC (V15653)) (OPT MF53049-3 (V15653)) | E, F, R , S, V, W, Z, A C, AL, AN CU-DK | 10 |
| 300 | BACB30NT3K8 | | .BOLT | E, F, R , S, V, W, Z, A C, AL, AN CU-DK | 2 |

57-43-37

 ILLUSTRATED PARTS LIST
 01.1 Page 1088J
 Jul 01/03

| FIG. & ITEM | PART NO. | AIRLINE PART NUMBER | NOMENCLATURE 1234567 | EFF CODE | QTY PER ASSY |
|-------------|-------------|---------------------|-------------------------|---|--------------|
| 05-305 | BACB30NN3K6 | | .BOLT | E,F,R ,S,V, W,Z,A C,AL, AN CU-DK | 18 |
| 310 | 114T3101-1 | | .WASHER | E,F,R ,S,V, W,Z,A C,AL, AN CU-DK | 8 |
| 315 | 114T3101-2 | | .WASHER | E,F,R ,S,V, W,Z,A C,AL, AN CU-DK | 10 |
| 320 | 114T3161-37 | | .SKIN-COVE | E,R,V ,Z,AL ,CU- DB | 1 |
| -325 | 114T3161-38 | | .SKIN-COVE | F,S,W ,AC,A N,D C-DK | 1 |
| 330 | 114T3172-13 | | .RIB ASSY-AUX | E,R,V ,Z,AL ,CU- DB | 1 |
| -335 | 114T3172-14 | | .RIB ASSY-AUX | F,S,W ,AC,A N,D C-DK | 1 |
| | | | ATTACHING PARTS | | |

57-43-37

ILLUSTRATED PARTS LIST
 01.1 Page 1088K
 Jul 01/03

| FIG. & ITEM | PART NO. | AIRLINE PART NUMBER | NOMENCLATURE 1234567 | EFF CODE | QTY PER ASSY |
|-------------|-------------|---------------------|--|---|--------------|
| 05-340 | BACB30NU3K3 | | .BOLT | E,F,R ,S,V, W,Z,A C,AL, AN CU-DK | 4 |
| 345 | HL82-6APBW | | .COLLAR- (V73197) (SPEC BACC30AG6) (OPT HL82-6APBW (V92215)) (OPT HL82-6APBW (V56878)) (OPT HL82-6APBW (V5M902)) (OPT ITEM 355 USED WITH ITEM 350) | E,F,R ,S,V, W,Z,A C,AL, AN CU-DK | 4 |
| 350 | AS46-3 | | .WASHER- (V10630) (SPEC BACW10AU3) (OPT K19701P3 (V15653)) (OPT 53488W1032 (V56878)) (OPT 6073-0 (V72962)) (OPT TLN1020L3W (V08524)) (USED WITH ITEM 355) | E,F,R ,S,V, W,Z,A C,AL, AN CU-DK | 4 |

57-43-37

 ILLUSTRATED PARTS LIST
 01.1 Page 1088L
 Jul 01/03

| FIG. & ITEM | PART NO. | AIRLINE PART NUMBER | NOMENCLATURE 1234567 | EFF CODE | QTY PER ASSY |
|-------------|------------|---------------------|--|---|--------------|
| 05-355 | H19700P3 | | .NUT- (V15653) (SPEC BACN10MT3) (OPT TLN1020-3N (V08524)) (OPT 52LH6073-02 (V72962)) (OPT 53488-1032 (V56878)) (OPT ITEM 345) (USED WITH ITEM 350) | E,F,R ,S,V, W,Z,A C,AL, AN CU-DK | 4 |
| 360 | BACB30NW6K | | .BOLT- (SIZE DETERMINE ON INST) | E,F,R ,S,V, W,Z,A C,AL, AN CU-DK | 22 |
| 365 | HL82-6APBW | | .COLLAR- (V73197) (SPEC BACC30AG6) (OPT HL82-6APBW (V92215)) (OPT HL82-6APBW (V56878)) (OPT HL82-6APBW (V5M902)) | E,F,R ,S,V, W,Z,A C,AL, AN CU-DK | 22 |
| 370 | BACB30NW5K | | .BOLT- (SIZE DETERMINE ON INST) | E,F,R ,S,V, W,Z,A C,AL, AN CU-DK | 6 |
| 375 | HL82-5APBW | | .COLLAR- (V73197) (SPEC BACC30AG5) (OPT HL82-5APBW (V56878)) -----*----- | E,F,R ,S,V, W,Z,A C,AL, AN CU-DK | 6 |

57-43-37

| FIG. & ITEM | PART NO. | AIRLINE PART NUMBER | NOMENCLATURE 1234567 | EFF CODE | QTY PER ASSY |
|-------------|------------|---------------------|--|--|--------------|
| 05-380 | HL11VAZ5-5 | | ..BOLT- (V56878) (SPEC BACB30NW5K5) (OPT B30NW5K5 (V97928)) (OPT HL11VAZ5-5 (V73197)) (OPT HL11VAZ5-5 (V92215)) (OPT HL11VAZ5-5 (V97928)) (OPT L803-5K5 (V06725)) (OPT HL11VAZ5-5 (V0PTK6)) (OPT HL11VAZ5-5 (V60516)) | E,F,R S,V, W,Z,A C,AL, AN CU-DK | 2 |
| 385 | HL11VAZ5-4 | | ..BOLT- (V56878) (SPEC BACB30NW5K4) (OPT B30NW5K4 (V97928)) (OPT HL11VAZ5-4 (V73197)) (OPT HL11VAZ5-4 (V92215)) (OPT HL11VAZ5-4 (V97928)) (OPT L803-5K4 (V06725)) (OPT HL11VAZ5-4 (V0PTK6)) (OPT HL11VAZ5-4 (V60516)) | E,F,R S,V, W,Z,A C,AL, AN CU-DK | 2 |
| 390 | AN960PD8L | | ..WASHER | E,F,R S,V, W,Z,A C,AL, AN CU-DK | 4 |

57-43-37

 ILLUSTRATED PARTS LIST
 01.1 Page 1088N
 Jul 01/03

| FIG. & ITEM | PART NO. | AIRLINE PART NUMBER | NOMENCLATURE 1234567 | EFF CODE | QTY PER ASSY |
|-------------|----------------|---------------------|--|---|--------------|
| 05-395 | BACN10JC08CD | | ..NUT | E,F,R ,S,V, W,Z,A C,AL, AN CU-DK | 4 |
| 400 | 114T3008-2 | | ..PLATE-RUB | E,F,R ,S,V, W,Z,A C,AL, AN CU-DK | 1 |
| 405 | BACB28AP08P019 | | ..BUSHING | E,F,R ,S,V, W,Z,A C,AL, AN CU-DK | 2 |
| 410 | BACR15BA3AD | | ..RIVET- (SIZE DETERMINE ON INST) | E,F,R ,S,V, W,Z,A C,AL, AN CU-DK | 40 |
| 415 | BRFM20A3 | | ..NUTPLATE- (V52828) (SPEC BACN10JN3) (OPT MF1000-3BAC (V15653)) (OPT NS103218-02 (V80539)) (OPT RMF9201M3 (V72962)) (OPT VN252A02 (V92215)) (OPT MF1000-3BAC (V15653)) (OPT MF53049-3 (V15653)) | E,F,R ,S,V, W,Z,A C,AL, AN CU-DK | 2 |

57-43-37

| FIG. & ITEM | PART NO. | AIRLINE PART NUMBER | NOMENCLATURE 1234567 | EFF CODE | QTY PER ASSY |
|-------------|-------------|---------------------|--|---|--------------|
| 05-420 | NS103225-02 | | ..NUTPLATE- (V80539) (SPEC BACN10KH3) (OPT RMF9209M3 (V72962)) (OPT F29779-3 (V15653)) | E,F,R ,S,V, W,Z,A C,AL, AN CU-DK | 18 |
| 425 | 114T3172-15 | | ..RIB | E,R,V ,Z,AL ,CU- DB | 1 |
| -430 | 114T3172-16 | | ..RIB | F,S,W ,AC,A N,D C-DK | 1 |
| 432 | BACB30NT3K3 | | .BOLT | E,F,R ,S,V, W,Z,A C,AL, AN CU-DK | 50 |
| 435 | AN960PD10L | | .WASHER | E,F,R ,S,V, W,Z,A C,AL, AN CU-DK | 50 |
| 440 | BACB30NN3K6 | | .BOLT | E,F,R ,S,V, W,Z,A C,AL, AN CU-DK | 15 |

57-43-37

 ILLUSTRATED PARTS LIST
 01.1 Page 1088P
 Jul 01/03

015T0165
 015T1507
 114T3100
 DASH NUMBERS LIMITED

 **BOEING**
 COMPONENT
 MAINTENANCE MANUAL

| FIG. & ITEM | PART NO. | AIRLINE PART NUMBER | NOMENCLATURE 1234567 | EFF CODE | QTY PER ASSY |
|-------------|-------------|---------------------|-------------------------|---|--------------|
| 05-445 | 114T3101-1 | | .WASHER | E,F,R ,S,V, W,Z,A C,AL, AN CU-DK | 9 |
| 450 | AN960PD10L | | .WASHER | E,F,R ,S,V, W,Z,A C,AL, AN CU-DK | 2 |
| 455 | BACB30NN3K6 | | .BOLT | E,F,R ,S,V, W,Z,A C,AL, AN CU-DK | 13 |
| 460 | 114T3101-1 | | .WASHER | E,F,R ,S,V, W,Z,A C,AL, AN CU-DK | 2 |
| 465 | 114T3101-2 | | .WASHER | E,F,R ,S,V, W,Z,A C,AL, AN CU-DK | 11 |

57-43-37

ILLUSTRATED PARTS LIST
 01.1 Page 1088Q
 Jul 01/03

| FIG. & ITEM | PART NO. | AIRLINE PART NUMBER | NOMENCLATURE 1234567 | EFF CODE | QTY PER ASSY |
|-------------|-------------|---------------------|-------------------------------------|---|--------------|
| 05-470 | BACB30NT3K8 | | .BOLT | E,F,R ,S,V, W,Z,A C,AL, AN CU-DK | 6 |
| 475 | 114T3168-5 | | .FILLER-RADII | E,F,R ,S,V, W,Z,A C,AL, AN CU-DK | 6 |
| 480 | 114T3161-35 | | .SKIN-COVE | E,R,V ,Z,AL ,CU- DB | 1 |
| -485 | 114T3161-36 | | .SKIN-COVE | F,S,W ,AC,A N,D C-DK | 1 |
| 490 | 114T3161-33 | | .SKIN-COVE | E,R,V ,Z,AL ,CU- DB | 1 |
| -495 | 114T3161-34 | | .SKIN-COVE | F,S,W ,AC,A N,D C-DK | 1 |
| 500 | BACR15BA3AD | | .RIVET- (SIZE DETERMINE ON INST) | E,F,R ,S,V, W,Z,A C,AL, AN CU-DK | 54 |

57-43-37

 ILLUSTRATED PARTS LIST
 01.1 Page 1088R
 Jul 01/03

| FIG. & ITEM | PART NO. | AIRLINE PART NUMBER | NOMENCLATURE 1234567 | EFF CODE | QTY PER ASSY |
|-------------|-------------|---------------------|---|---|--------------|
| 05-502 | BRFM20A3 | | .NUTPLATE- (V52828) (SPEC BACN10JN3) (OPT MF1000-3BAC (V15653)) (OPT NS103218-02 (V80539)) (OPT RMF9201M3 (V72962)) (OPT VN252A02 (V92215)) (OPT MF1000-3BAC (V15653)) (OPT MF53049-3 (V15653)) | E,F,R ,S,V, W,Z,A C,AL, AN CU-DK | 32 |
| 504 | BACR15BA3AD | | .RIVET- (SIZE DETERMINE ON INST) | E,F,R ,S,V, W,Z,A C,AL, AN CU-DK | 4 |
| 506 | BRFM20A3 | | .NUTPLATE- (V52828) (SPEC BACN10JN3) (OPT MF1000-3BAC (V15653)) (OPT NS103218-02 (V80539)) (OPT RMF9201M3 (V72962)) (OPT VN252A02 (V92215)) (OPT MF1000-3BAC (V15653)) (OPT MF53049-3 (V15653)) | E,F,R ,S,V, W,Z,A C,AL, AN CU-DK | 2 |

57-43-37

| FIG. & ITEM | PART NO. | AIRLINE PART NUMBER | NOMENCLATURE 1234567 | EFF CODE | QTY PER ASSY |
|-------------|-------------|---------------------|--|--|--------------|
| 05-508 | 114T3171-11 | | .RIB ASSY-AUX (LIMITED) | R, CU, CV | 1 |
| -508A | 114T3171-23 | | .RIB ASSY-AUX (LIMITED) | R, CU, CV | 1 |
| -508B | 114T3171-23 | | .RIB ASSY-AUX | E, V, Z , AL, C W-DB | 1 |
| -510 | 114T3171-12 | | .RIB ASSY-AUX (LIMITED) | S, DC, DD | 1 |
| -510A | 114T3171-24 | | .RIB ASSY-AUX (LIMITED) | S, DC, DD | 1 |
| -510B | 114T3171-24 | | .RIB ASSY-AUX | F, W, A C, AN, DE-DK | 1 |
| 512 | BACB30NU3K5 | | ATTACHING PARTS .BOLT | E, F, R , S, V, W, Z, A C, AL, AN CU-DK | 2 |
| 514 | HL82-6APBW | | .COLLAR- (V73197) (SPEC BACC30AG6) (OPT HL82-6APBW (V92215)) (OPT HL82-6APBW (V56878)) (OPT HL82-6APBW (V5M902)) (OPT ITEM 518 USED WITH ITEM 516) | E, F, R , S, V, W, Z, A C, AL, AN CU-DK | 2 |

57-43-37

 ILLUSTRATED PARTS LIST
 01.1 Page 1088T
 Jul 01/03

| FIG. & ITEM | PART NO. | AIRLINE PART NUMBER | NOMENCLATURE 1234567 | EFF CODE | QTY PER ASSY |
|-------------|------------|---------------------|--|---|--------------|
| 05-516 | AS46-3 | | .WASHER- (V10630) (SPEC BACW10AU3) (OPT K19701P3 (V15653)) (OPT 53488W1032 (V56878)) (OPT 6073-0 (V72962)) (OPT TLN1020L3W (V08524)) (USED WITH ITEM 518) | E,F,R ,S,V, W,Z,A C,AL, AN CU-DK | 2 |
| 518 | H19700P3 | | .NUT- (V15653) (SPEC BACN10MT3) (OPT TLN1020-3N (V08524)) (OPT 52LH6073-02 (V72962)) (OPT 53488-1032 (V56878)) (OPT ITEM 514) (USED WITH ITEM 516) | E,F,R ,S,V, W,Z,A C,AL, AN CU-DK | 2 |
| 520 | BACB30NW6K | | .BOLT- (SIZE DETERMINE ON INST) | E,F,R ,S,V, W,Z,A C,AL, AN CU-DK | 34 |
| 522 | HL82-6APBW | | .COLLAR- (V73197) (SPEC BACC30AG6) (OPT HL82-6APBW (V92215)) (OPT HL82-6APBW (V56878)) (OPT HL82-6APBW (V5M902)) -----* | E,F,R ,S,V, W,Z,A C,AL, AN CU-DK | 34 |

57-43-37

| FIG. & ITEM | PART NO. | AIRLINE PART NUMBER | NOMENCLATURE 1234567 | EFF CODE | QTY PER ASSY |
|-------------|----------------|---------------------|---|---|--------------|
| 05-524 | BACB28AP08P019 | | ..BUSHING | E,F,R ,S,V, W,Z,A C,AL, AN CU-DK | 2 |
| 526 | HL11VAZ5-5 | | ..BOLT- (V56878) (SPEC BACB30NW5K5) (OPT B30NW5K5 (V97928)) (OPT HL11VAZ5-5 (V73197)) (OPT HL11VAZ5-5 (V92215)) (OPT HL11VAZ5-5 (V97928)) (OPT L803-5K5 (V06725)) (OPT HL11VAZ5-5 (V0PTK6)) (OPT HL11VAZ5-5 (V60516)) | E,F,R ,S,V, W,Z,A C,AL, AN CU-DK | 3 |
| 528 | HL11VAZ5-4 | | ..BOLT- (V56878) (SPEC BACB30NW5K4) (OPT B30NW5K4 (V97928)) (OPT HL11VAZ5-4 (V73197)) (OPT HL11VAZ5-4 (V92215)) (OPT HL11VAZ5-4 (V97928)) (OPT L803-5K4 (V06725)) (OPT HL11VAZ5-4 (V0PTK6)) (OPT HL11VAZ5-4 (V60516)) | E,F,R ,S,V, W,Z,A C,AL, AN CU-DK | 1 |

57-43-37

 ILLUSTRATED PARTS LIST
 01.1 Page 1088V
 Jul 01/03

| FIG. & ITEM | PART NO. | AIRLINE PART NUMBER | NOMENCLATURE 1234567 | EFF CODE | QTY PER ASSY |
|-------------|--------------|---------------------|--------------------------------------|---|--------------|
| 05-530 | AN960PD8L | | ..WASHER | E,F,R ,S,V, W,Z,A C,AL, AN CU-DK | 4 |
| 532 | BACN10JC08CD | | ..NUT | E,F,R ,S,V, W,Z,A C,AL, AN CU-DK | 4 |
| 534 | 114T3008-2 | | ..PLATE-RUB | E,F,R ,S,V, W,Z,A C,AL, AN CU-DK | 2 |
| 536 | BACR15BA3AD | | ..RIVET- (SIZE DETERMINE ON INST) | E,F,R ,S,V, W,Z,A C,AL, AN CU-DK | 44 |
| 538 | BACN10JQ32 | | ..NUTPLATE | E,F,R ,S,V, W,Z,A C,AL, AN CU-DK | 7 |

57-43-37

| FIG. & ITEM | PART NO. | AIRLINE PART NUMBER | NOMENCLATURE 1234567 | EFF CODE | QTY PER ASSY |
|-------------|--------------|---------------------|--|---|--------------|
| 05-540 | NS103225-02 | | ..NUTPLATE- (V80539) (SPEC BACN10KH3) (OPT RMF9209M3 (V72962)) (OPT F29779-3 (V15653)) | E,F,R ,S,V, W,Z,A C,AL, AN CU-DK | 15 |
| 542 | NAS1195DD3KH | | ..SHIM | E,F,R ,S,V, W,Z,A C,AL, AN CU-DK | 7 |
| 544 | 114T3171-13 | | ..RIB- (USED ON ITEM 508) | R,CU, CV | 1 |
| -544A | 114T3171-25 | | ..RIB- (USED ON ITEMS 508A, 508B) | E,R,V ,Z,AL ,CU- DB | 1 |
| -546 | 114T3171-14 | | ..RIB- (USED ON ITEM 510) | S,DC, DD | 1 |
| -546A | 114T3171-26 | | ..RIB- (USED ON ITEMS 510A, 510B) | F,S,W ,AC,A N,D C-DK | 1 |
| 548 | BACB30NT3K3 | | .BOLT | E,F,R ,S,V, W,Z,A C,AL, AN CU-DK | 112 |

57-43-37

ILLUSTRATED PARTS LIST
01.1 Page 1088X
Jul 01/03

| FIG. & ITEM | PART NO. | AIRLINE PART NUMBER | NOMENCLATURE 1234567 | EFF CODE | QTY PER ASSY |
|-------------|-------------|---------------------|---|---|--------------|
| 05-550 | AN960PD10L | | .WASHER | E,F,R ,S,V, W,Z,A C,AL, AN CU-DK | 112 |
| 552 | BACB30NN3K6 | | .BOLT | E,F,R ,S,V, W,Z,A C,AL, AN CU-DK | 22 |
| 554 | 114T3101-1 | | .WASHER | E,F,R ,S,V, W,Z,A C,AL, AN CU-DK | 5 |
| 556 | BACR15BA3AD | | .RIVET- (SIZE DETERMINE ON INST) | E,F,R ,S,V, W,Z,A C,AL, AN CU-DK | 90 |
| 558 | BRFM20A3 | | .NUTPLATE- (V52828) (SPEC BACN10JN3) (OPT MF1000-3BAC (V15653)) (OPT NS103218-02 (V80539)) (OPT RMF9201M3 (V72962)) (OPT VN252A02 (V92215)) (OPT MF1000-3BAC (V15653)) (OPT MF53049-3 (V15653)) | E,F,R ,S,V, W,Z,A C,AL, AN CU-DK | 45 |
| 560 | BACB30NN3K6 | | .BOLT | E,F,R ,S,V, W,Z,A C,AL, AN CU-DK | 19 |

57-43-37

| FIG. & ITEM | PART NO. | AIRLINE PART NUMBER | NOMENCLATURE 1234567 | EFF CODE | QTY PER ASSY |
|-------------|-------------|---------------------|-------------------------------------|--|--------------|
| 05-562 | 114T3101-1 | | .WASHER | E, F, R , S, V, W, Z, A C, AL, AN CU-DK | 7 |
| 564 | 114T3101-2 | | .WASHER | E, F, R , S, V, W, Z, A C, AL, AN CU-DK | 12 |
| 566 | BACB30NT3K3 | | .BOLT | E, F, R , S, V, W, Z, A C, AL, AN CU-DK | 3 |
| 568 | AN96OPD10L | | .WASHER | E, F, R , S, V, W, Z, A C, AL, AN CU-DK | 3 |
| 570 | BACB30NT3K8 | | .BOLT | E, F, R , S, V, W, Z, A C, AL, AN CU-DK | 5 |
| 572 | 114T3168-5 | | .FILLER-RADII | E, F, R , S, V, W, Z, A C, AL, AN CU-DK | 5 |
| 574 | BACR15BA3AD | | .RIVET- (SIZE DETERMINE ON INST) | E, F, R , S, V, W, Z, A C, AL, AN CU-DK | 6 |

57-43-37

ILLUSTRATED PARTS LIST
01.1 Page 1088Z
Jul 01/03

| FIG. & ITEM | PART NO. | AIRLINE PART NUMBER | NOMENCLATURE 1234567 | EFF CODE | QTY PER ASSY |
|-------------|-------------|---------------------|---|---|--------------|
| 05-576 | BRFM20A3 | | .NUTPLATE- (V52828) (SPEC BACN10JN3) (OPT MF1000-3BAC (V15653)) (OPT NS103218-02 (V80539)) (OPT RMF9201M3 (V72962)) (OPT VN252A02 (V92215)) (OPT MF1000-3BAC (V15653)) (OPT MF53049-3 (V15653)) | E,F,R ,S,V, W,Z,A C,AL, AN CU-DK | 6 |
| 578 | 114T3161-31 | | .SKIN-COVE | E,R,V ,Z,AL ,CU- DB | 1 |
| -580 | 114T3161-32 | | .SKIN-COVE | F,S,W ,AC,A N,D C-DK | 1 |
| 582 | 114T3161-29 | | .SKIN-COVE | E,R,V ,Z,AL ,CU- DB | 1 |
| -584 | 114T3161-30 | | .SKIN-COVE | F,S,W ,AC,A N,D C-DK | 1 |
| 586 | 114T3170-13 | | .RIB ASSY-AUX (LIMITED) | R,CU, CV | 1 |
| -586A | 114T3170-25 | | .RIB ASSY-AUX (LIMITED) | R,CU, CV | 1 |
| -586B | 114T3170-25 | | .RIB ASSY-AUX | E,V,Z ,AL,C W-DB | 1 |

57-43-37

| FIG. & ITEM | PART NO. | AIRLINE PART NUMBER | NOMENCLATURE 1234567 | EFF CODE | QTY PER ASSY |
|-------------|-------------|---------------------|--|---|--------------|
| 05- -588 | 114T3170-14 | | .RIB ASSY-AUX (LIMITED) | S,DC, DD | 1 |
| -588A | 114T3170-26 | | .RIB ASSY-AUX (LIMITED) | S,DC, DD | 1 |
| -588B | 114T3170-26 | | .RIB ASSY-AUX | F,W,A C,AN, DE-DK | 1 |
| 590 | BACB30NU3K4 | | ATTACHING PARTS .BOLT | E,F,R ,S,V, W,Z,A C,AL, AN CU-DK | 2 |
| 592 | HL82-6APBW | | .COLLAR- (V73197) (SPEC BACC30AG6) (OPT HL82-6APBW (V92215)) (OPT HL82-6APBW (V56878)) (OPT HL82-6APBW (V5M902)) (OPT ITEM 596 USED WITH ITEM 594) | E,F,R ,S,V, W,Z,A C,AL, AN CU-DK | 2 |
| 594 | AS46-3 | | .WASHER- (V10630) (SPEC BACW10AU3) (OPT K19701P3 (V15653)) (OPT 53488W1032 (V56878)) (OPT 6073-0 (V72962)) (OPT TLN1020L3W (V08524)) (USED WITH ITEM 596) | E,F,R ,S,V, W,Z,A C,AL, AN CU-DK | 2 |

57-43-37

ILLUSTRATED PARTS LIST
01.1 Page 1090
Jul 01/03

| FIG. & ITEM | PART NO. | AIRLINE PART NUMBER | NOMENCLATURE 1234567 | EFF CODE | QTY PER ASSY |
|-------------|------------|---------------------|--|---|--------------|
| 05-596 | H19700P3 | | .NUT- (V15653) (SPEC BACN10MT3) (OPT TLN1020-3N (V08524)) (OPT 52LH6073-02 (V72962)) (OPT 53488-1032 (V56878)) (OPT ITEM 592) (USED WITH ITEM 594) | E,F,R ,S,V, W,Z,A C,AL, AN CU-DK | 2 |
| 598 | BACB30NW6K | | .BOLT- (SIZE DETERMINE ON INST) | E,F,R ,S,V, W,Z,A C,AL, AN CU-DK | 24 |
| 600 | HL82-6APBW | | .COLLAR- (V73197) (SPEC BACC30AG6) (OPT HL82-6APBW (V92215)) (OPT HL82-6APBW (V56878)) (OPT HL82-6APBW (V5M902)) | E,F,R ,S,V, W,Z,A C,AL, AN CU-DK | 24 |
| 602 | BACB30NN5K | | .BOLT- (SIZE DETERMINE ON INST) | E,F,R ,S,V, W,Z,A C,AL, AN CU-DK | 14 |

57-43-37

| FIG. & ITEM | PART NO. | AIRLINE PART NUMBER | NOMENCLATURE 1234567 | EFF CODE | QTY PER ASSY |
|-------------|----------------|---------------------|---|--|--------------|
| 05-604 | HL82-5APBW | | . COLLAR- (V73197) (SPEC BACC30AG5) (OPT HL82-5APBW (V56878)) | E, F, R , S, V, W, Z, A C, AL, AN CU-DK | 14 |
| 606 | BACB28AP08P019 | | -----*----- . BUSHING | E, F, R , S, V, W, Z, A C, AL, AN CU-DK | 2 |
| 608 | HL11VAZ5-5 | | . . BOLT- (V56878) (SPEC BACB30NW5K5) (OPT B30NW5K5 (V97928)) (OPT HL11VAZ5-5 (V73197)) (OPT HL11VAZ5-5 (V92215)) (OPT HL11VAZ5-5 (V97928)) (OPT L803-5K5 (V06725)) (OPT HL11VAZ5-5 (V0PTK6)) (OPT HL11VAZ5-5 (V60516)) | E, F, R , S, V, W, Z, A C, AL, AN CU-DK | 2 |

57-43-37

 ILLUSTRATED PARTS LIST
 01.1 Page 1090B
 Jul 01/03

| FIG. & ITEM | PART NO. | AIRLINE PART NUMBER | NOMENCLATURE 1234567 | EFF CODE | QTY PER ASSY |
|-------------|--------------|---------------------|---|---|--------------|
| 05-610 | HL11VAZ5-4 | | ..BOLT- (V56878) (SPEC BACB30NW5K4) (OPT B30NW5K4 (V97928)) (OPT HL11VAZ5-4 (V73197)) (OPT HL11VAZ5-4 (V92215)) (OPT HL11VAZ5-4 (V97928)) (OPT L803-5K4 (V06725)) (OPT HL11VAZ5-4 (V0PTK6)) (OPT HL11VAZ5-4 (V60516)) | E,F,R ,S,V, W,Z,A C,AL, AN CU-DK | 2 |
| 612 | AN960PD8L | | ..WASHER | E,F,R ,S,V, W,Z,A C,AL, AN CU-DK | 4 |
| 614 | BACN10JC08CD | | ..NUT | E,F,R ,S,V, W,Z,A C,AL, AN CU-DK | 4 |
| 616 | 114T3008-2 | | ..PLATE-RUB | E,F,R ,S,V, W,Z,A C,AL, AN CU-DK | 2 |
| 618 | BACR15BA3AD | | ..RIVET- (SIZE DETERMINE ON INST) | E,F,R ,S,V, W,Z,A C,AL, AN CU-DK | 60 |

57-43-37

| FIG. & ITEM | PART NO. | AIRLINE PART NUMBER | NOMENCLATURE 1234567 | EFF CODE | QTY PER ASSY |
|-------------|--------------|---------------------|--|--|--------------|
| 05-620 | BACN10JQ32 | | ..NUTPLATE | E, F, R , S, V, W, Z, A C, AL, AN CU-DK | 4 |
| 622 | BRFM20A3 | | ..NUTPLATE- (V52828) (SPEC BACN10JN3) (OPT MF1000-3BAC (V15653)) (OPT NS103218-02 (V80539)) (OPT RMF9201M3 (V72962)) (OPT VN252A02 (V92215)) (OPT MF1000-3BAC (V15653)) (OPT MF53049-3 (V15653)) | E, F, R , S, V, W, Z, A C, AL, AN CU-DK | 6 |
| 624 | NS103225-02 | | ..NUTPLATE- (V80539) (SPEC BACN10KH3) (OPT RMF9209M3 (V72962)) (OPT F29779-3 (V15653)) | E, F, R , S, V, W, Z, A C, AL, AN CU-DK | 20 |
| 626 | NAS1195DD3KH | | ..SHIM | E, F, R , S, V, W, Z, A C, AL, AN CU-DK | 9 |

57-43-37

 ILLUSTRATED PARTS LIST
 01.1 Page 1090D
 Jul 01/03

| FIG. & ITEM | PART NO. | AIRLINE PART NUMBER | NOMENCLATURE 1234567 | EFF CODE | QTY PER ASSY |
|-------------|-------------|---------------------|---|--|--------------|
| 05-628 | 114T3170-15 | | ..RIB- (USED ON ITEM 586) | R, CU, CV | 1 |
| -628A | 114T3170-27 | | ..RIB- (USED ON ITEMS 586A, 586B) | E, R, V , Z, AL , CU- DB | 1 |
| -630 | 114T3170-16 | | ..RIB- (USED ON ITEM 588) | S, DC, DD | 1 |
| -630A | 114T3170-28 | | ..RIB- (USED ON ITEMS 588A, 588B) | F, S, W , AC, A N, D C-DK | 1 |
| 635 | BACR15CE5KE | | .RIVET- (SIZE DETERMINE ON INST) | E, F, R , S, V, W, Z, A C, AL, AN CU-DK | 112 |
| 640 | BACR15BA5A | | .RIVET- (SIZE DETERMINE ON INST) | E, F, R , S, V, W, Z, A C, AL, AN CU-DK | 6 |
| 645 | BACB30NW5K | | .BOLT- (SIZE DETERMINE ON INST) | E, F, R , S, V, W, Z, A C, AL, AN CU-DK | 90 |

57-43-37

| FIG. & ITEM | PART NO. | AIRLINE PART NUMBER | NOMENCLATURE 1234567 | EFF CODE | QTY PER ASSY |
|-------------|-------------|---------------------|--|---|--------------|
| 05-650 | BACR15CE5AD | | .RIVET- (SIZE DETERMINE ON INST) | E,F,R ,S,V, W,Z,A C,AL, AN CU-DK | 10 |
| 655 | BACW10DM5P | | .WASHER | E,F,R ,S,V, W,Z,A C,AL, AN CU-DK | 17 |
| 660 | HL70-5 | | .COLLAR- (V56878) (SPEC BACC30M5) (OPT HL70-5 (V73197)) (OPT HL70-5 (V92215)) (OPT 66014-5 (V56878)) (OPT HL79-5 (V5M902)) | E,F,R ,S,V, W,Z,A C,AL, AN CU-DK | 90 |
| 665 | 114T3162-11 | | .PANEL ASSY-CLOSE OUT | E,R,V ,Z,AL ,CU- DB | 1 |
| -670 | 114T3162-12 | | .PANEL ASSY-CLOSE OUT | F,S,W ,AC,A N,D C-DK | 1 |
| 675 | BACB30NW5K | | ..BOLT- (SIZE DETERMINE ON INST) | E,F,R ,S,V, W,Z,A C,AL, AN CU-DK | 124 |

57-43-37

ILLUSTRATED PARTS LIST
01.1 Page 1090F
Jul 01/03

| FIG. & ITEM | PART NO. | AIRLINE PART NUMBER | NOMENCLATURE 1234567 | EFF CODE | QTY PER ASSY |
|-------------|-------------|---------------------|---|---|--------------|
| 05-680 | BACR15BA5AD | | ..RIVET- (SIZE DETERMINE ON INST) | E,F,R ,S,V, W,Z,A C,AL, AN CU-DK | 6 |
| 685 | BACW10DM5P | | ..WASHER | E,F,R ,S,V, W,Z,A C,AL, AN CU-DK | 103 |
| 690 | HL70-5 | | ..COLLAR- (V56878) (SPEC BACC30M5) (OPT HL70-5 (V73197)) (OPT HL70-5 (V92215)) (OPT 66014-5 (V56878)) (OPT HL79-5 (V5M902)) | E,F,R ,S,V, W,Z,A C,AL, AN CU-DK | 124 |
| 695 | 114T3162-9 | | ..COVER-GAP | E,F,R ,S,V, W,Z,A C,AL, AN CU-DK | 1 |
| 700 | 114T3162-10 | | ..COVER-GAP | E,F,R ,S,V, W,Z,A C,AL, AN CU-DK | 1 |
| 705 | 114T3165-11 | | ..SKIN | E,R,V ,Z,AL ,CU- DB | 1 |
| -710 | 114T3165-12 | | ..SKIN | F,S,W ,AC,A N,D C-DK | 1 |

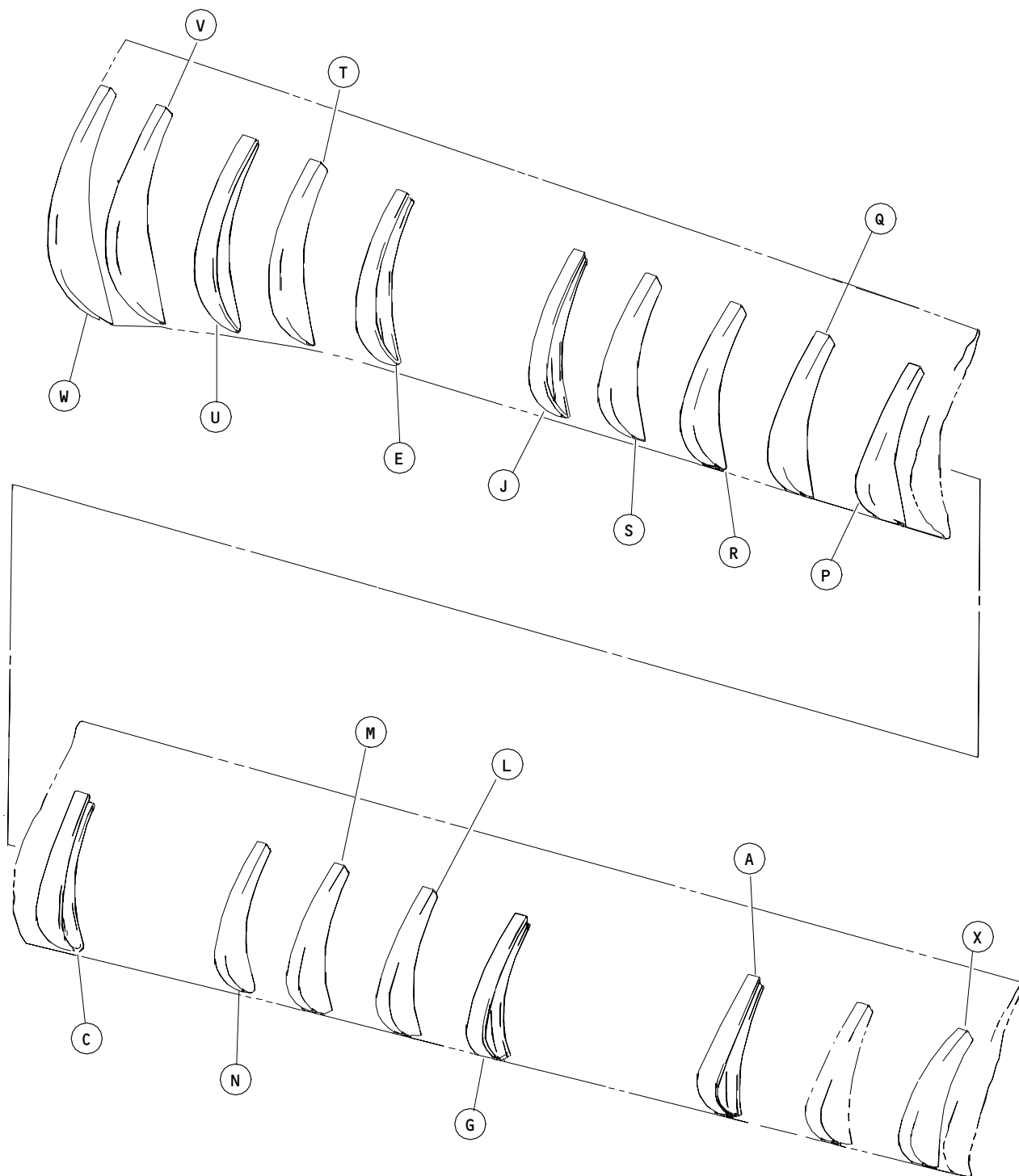
57-43-37

| FIG. & ITEM | PART NO. | AIRLINE PART NUMBER | NOMENCLATURE 1234567 | EFF CODE | QTY PER ASSY |
|-------------|------------|---------------------|-------------------------|-------------------------------|--------------|
| 05-715 | 114T3165-7 | | ..SKIN | E,R,V ,Z,AL ,CU- DB | 1 |
| -720 | 114T3165-8 | | ..SKIN | F,S,W ,AC,A N,D C-DK | 1 |
| 725 | 114T3165-3 | | ..SKIN | E,R,V ,Z,AL ,CU- DB | 1 |
| -730 | 114T3165-4 | | ..SKIN | F,S,W ,AC,A N,D C-DK | 1 |
| 735 | 114T3165-1 | | ..SKIN | E,R,V ,Z,AL ,CU- DB | 1 |
| -740 | 114T3165-2 | | ..SKIN | F,S,W ,AC,A N,D C-DK | 1 |

- Item Not Illustrated

57-43-37

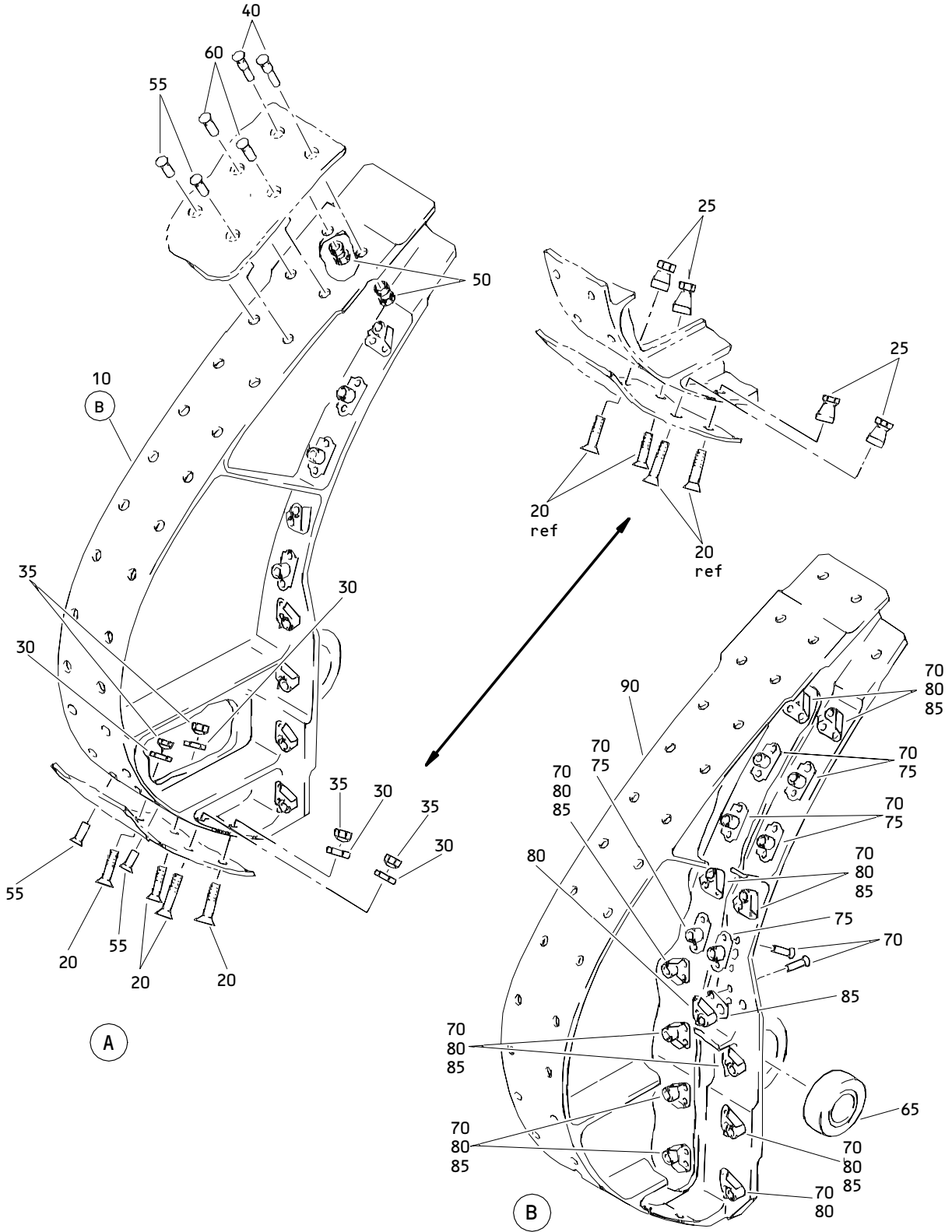
ILLUSTRATED PARTS LIST
 01.1 Page 1090H
 Jul 01/03



Inboard Slat No. 6 and 7 Wing Leading Edge Spoiler Assembly
 Figure 6 (Sheet 1)

57-43-37

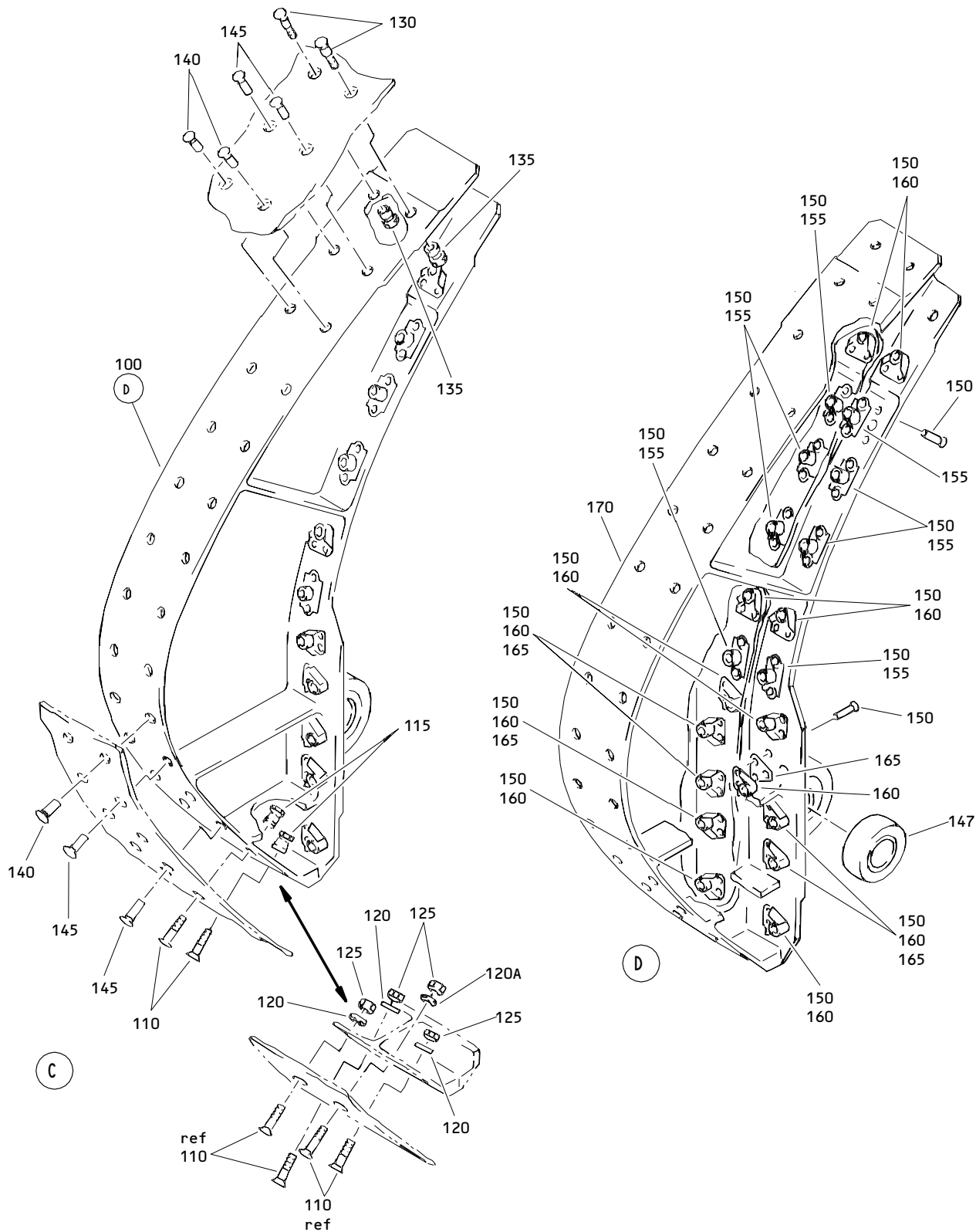
ILLUSTRATED PARTS LIST
 01.1 Page 1090J
 Jul 01/03



Inboard Slat No. 6 and 7 Wing Leading Edge Spoiler Assembly
Figure 6 (Sheet 2)

57-43-37

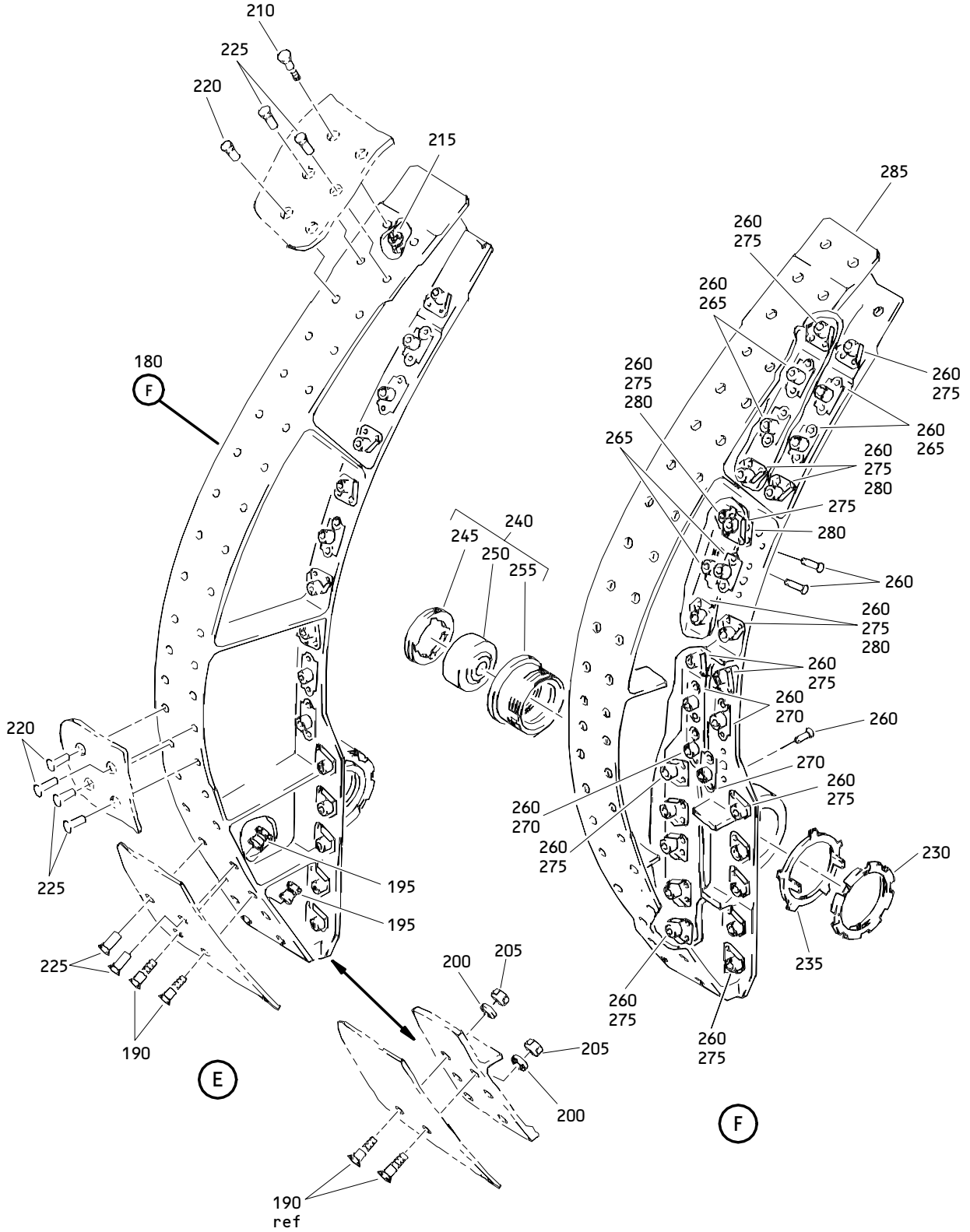
ILLUSTRATED PARTS LIST
01.1 Page 1090K
Jul 01/03



Inboard Slat No. 6 and 7 Wing Leading Edge Spoiler Assembly
 Figure 6 (Sheet 3)

57-43-37

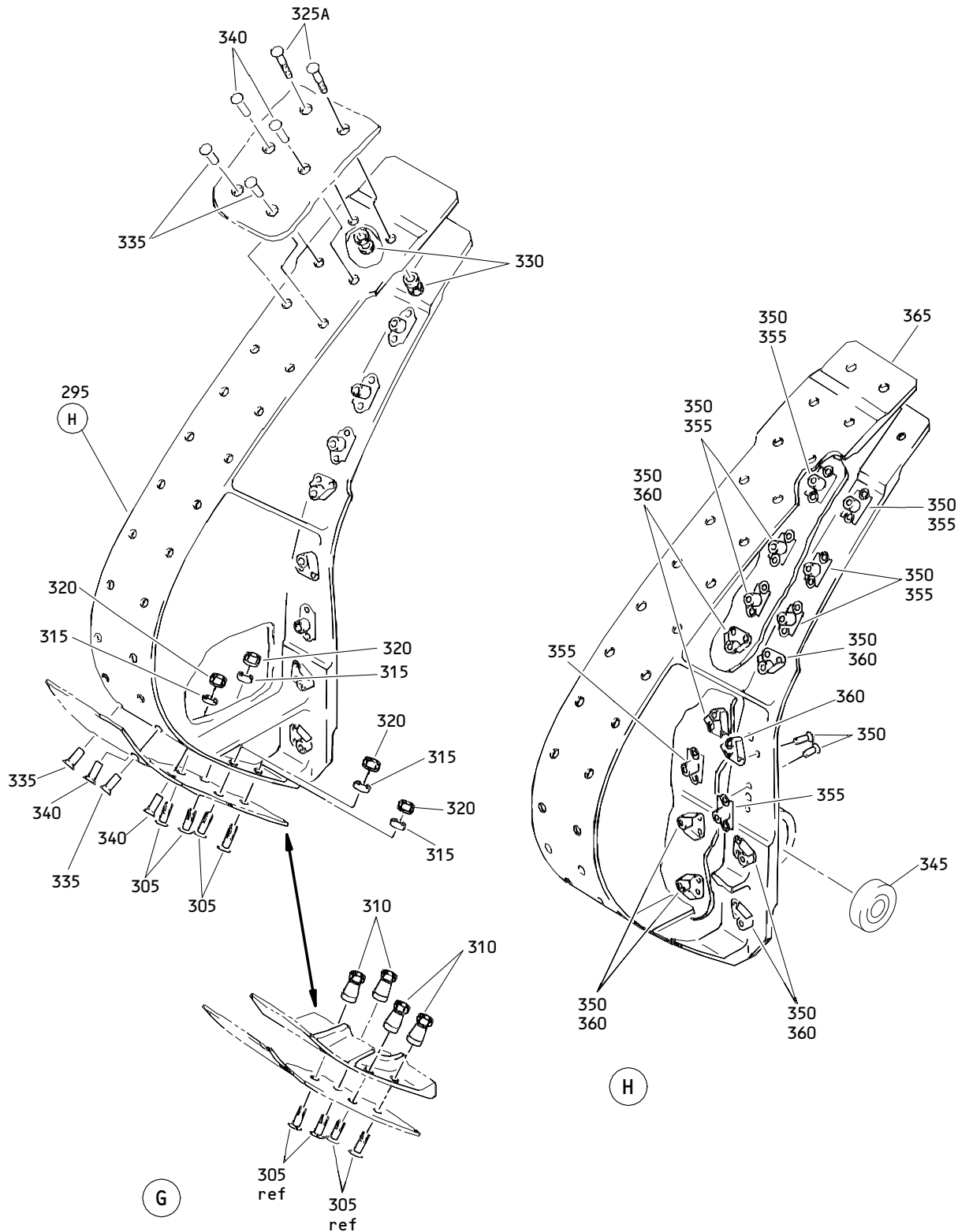
ILLUSTRATED PARTS LIST
 01.1 Page 1090L
 Jul 01/03



Inboard Slat No. 6 and 7 Wing Leading Edge Spoiler Assembly
Figure 6 (Sheet 4)

57-43-37

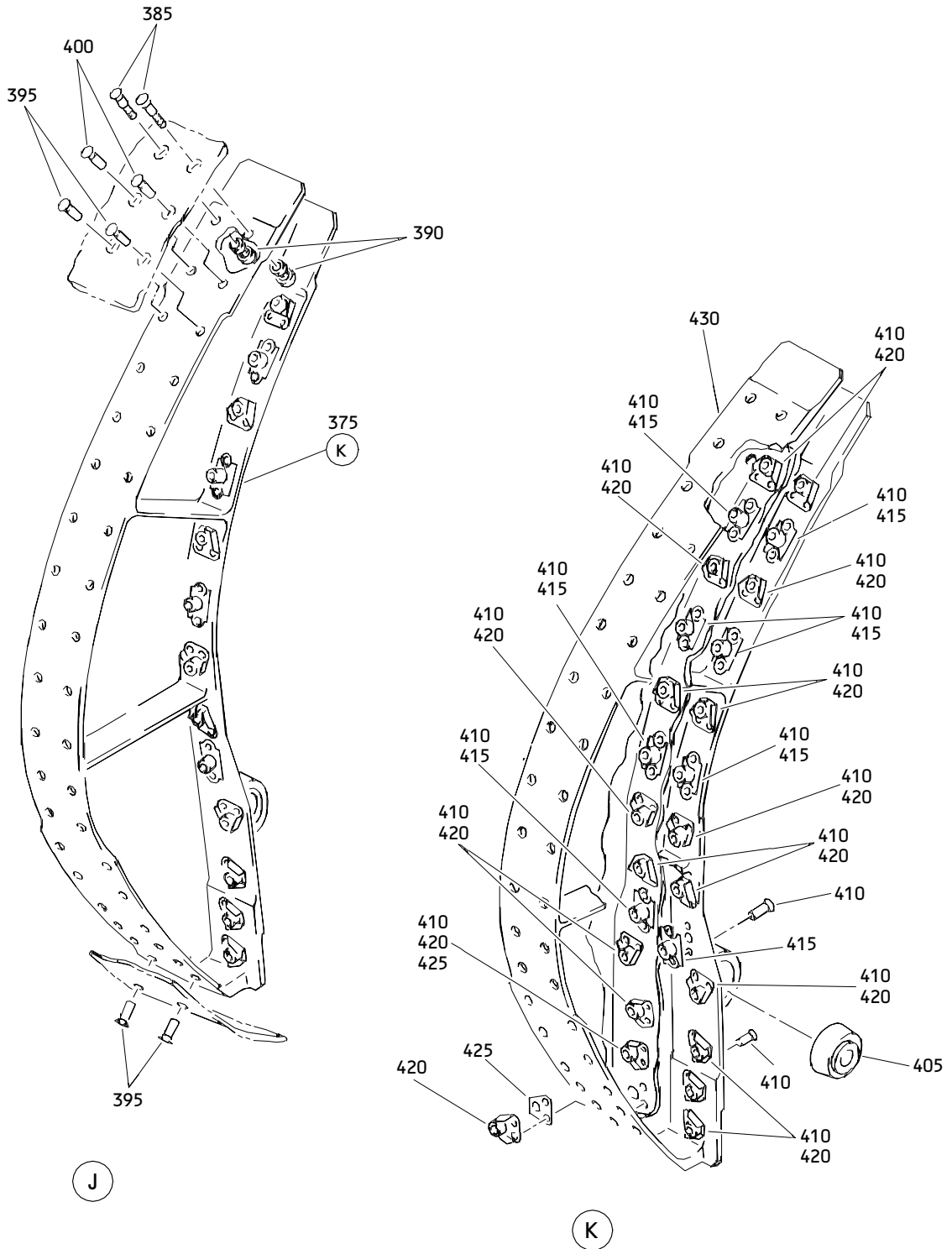
ILLUSTRATED PARTS LIST
01.1 Page 1090M
Jul 01/03



Inboard Slat No. 6 and 7 Wing Leading Edge Spoiler Assembly
 Figure 6 (Sheet 5)

57-43-37

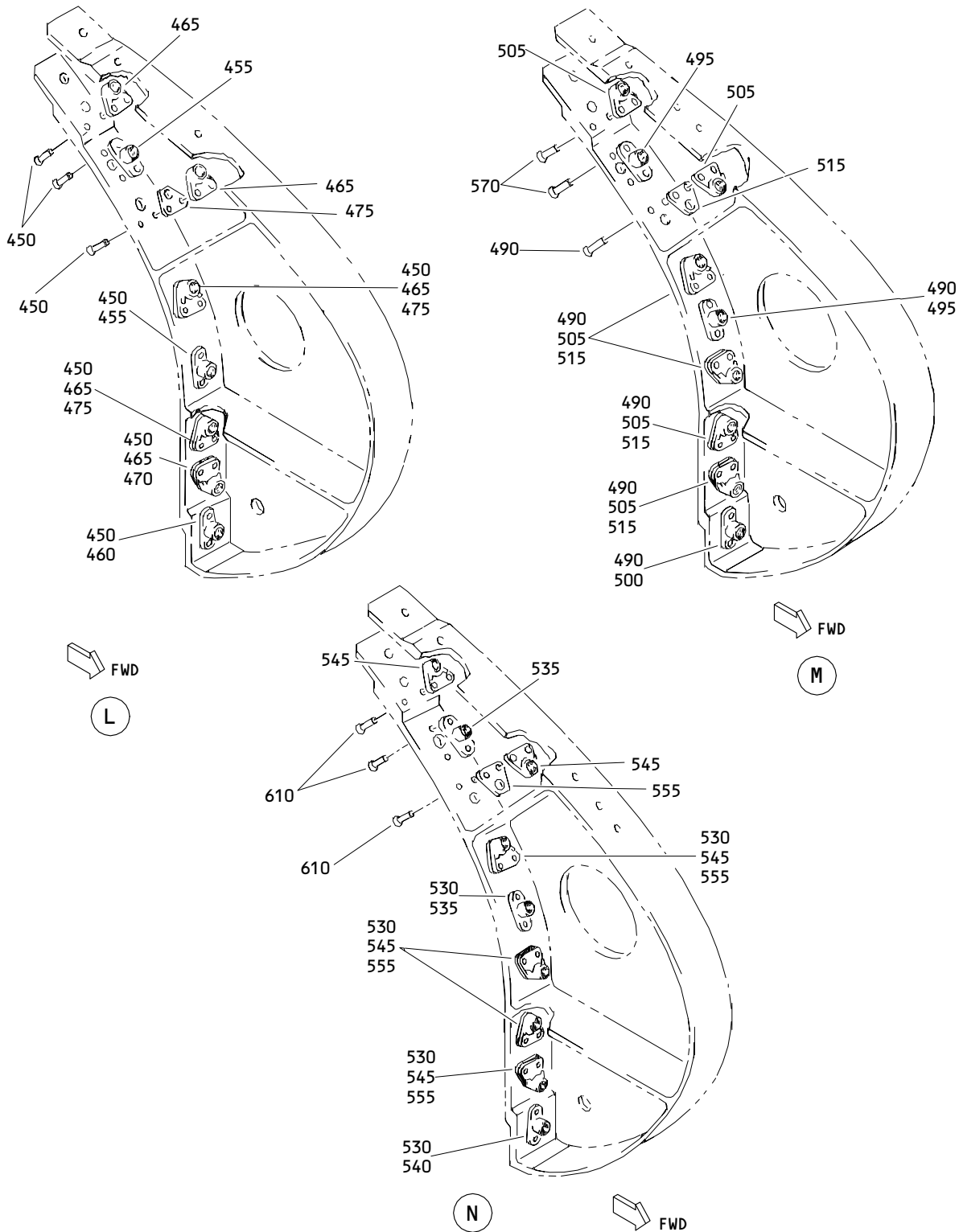
ILLUSTRATED PARTS LIST
 01.1 Page 1090N
 Jul 01/03



Inboard Slat No. 6 and 7 Wing Leading Edge Spoiler Assembly
Figure 6 (Sheet 6)

57-43-37

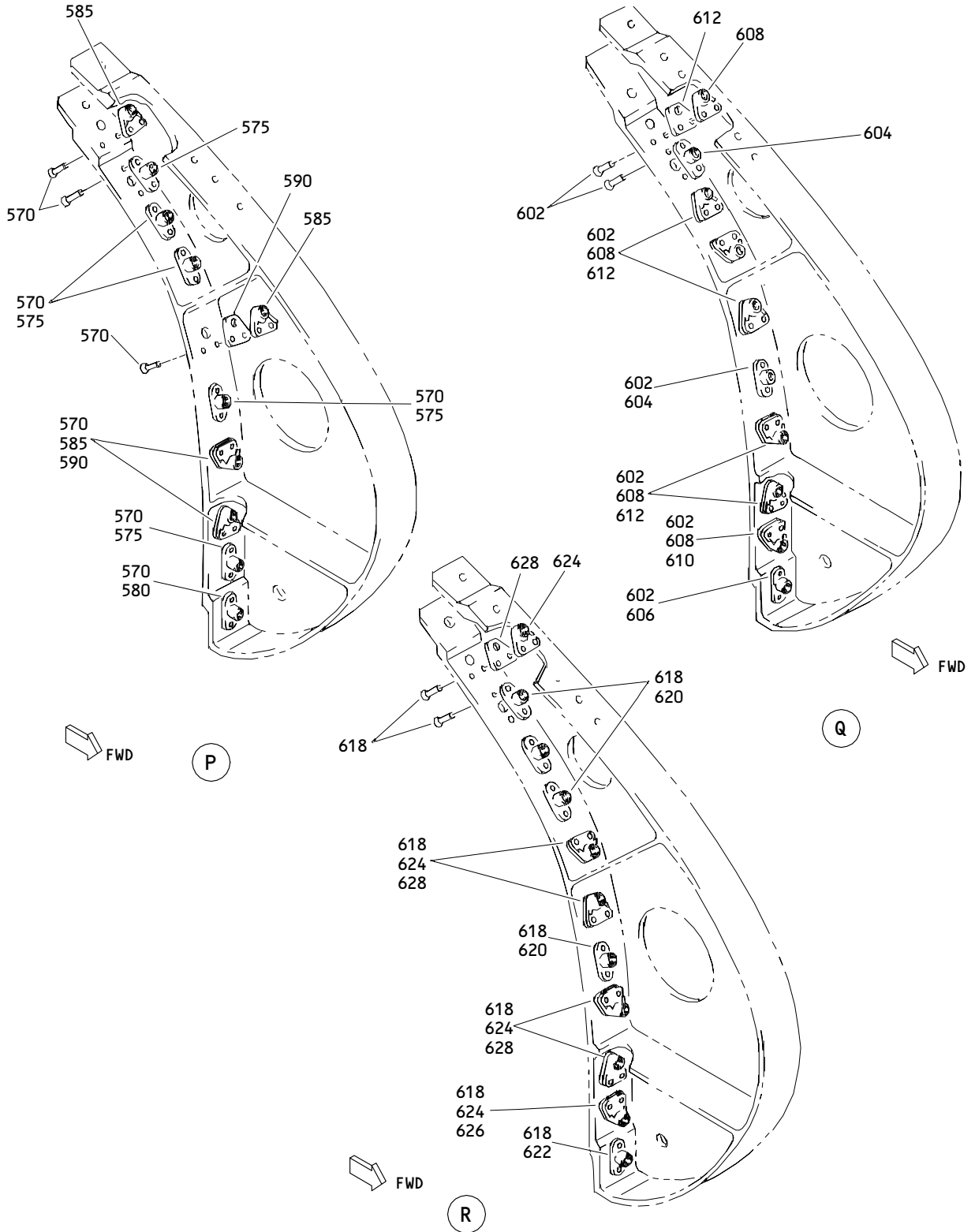
ILLUSTRATED PARTS LIST
01.1 Page 10900
Jul 01/03



Inboard Slat No. 6 and 7 Wing Leading Edge Spoiler Assembly
 Figure 6 (Sheet 7)

57-43-37

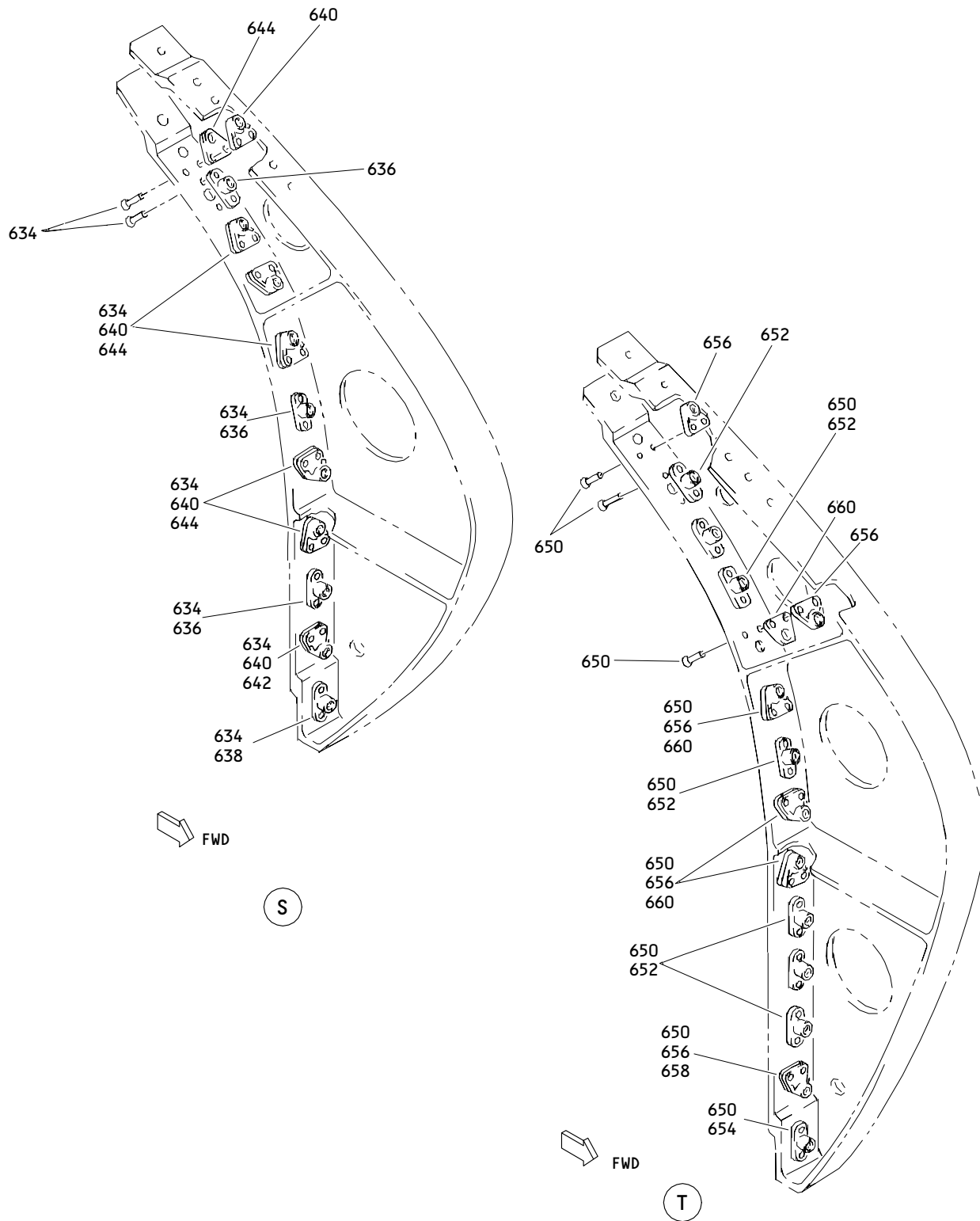
ILLUSTRATED PARTS LIST
 01.1 Page 1090P
 Jul 01/03



Inboard Slat No. 6 and 7 Wing Leading Edge Spoiler Assembly
 Figure 6 (Sheet 8)

57-43-37

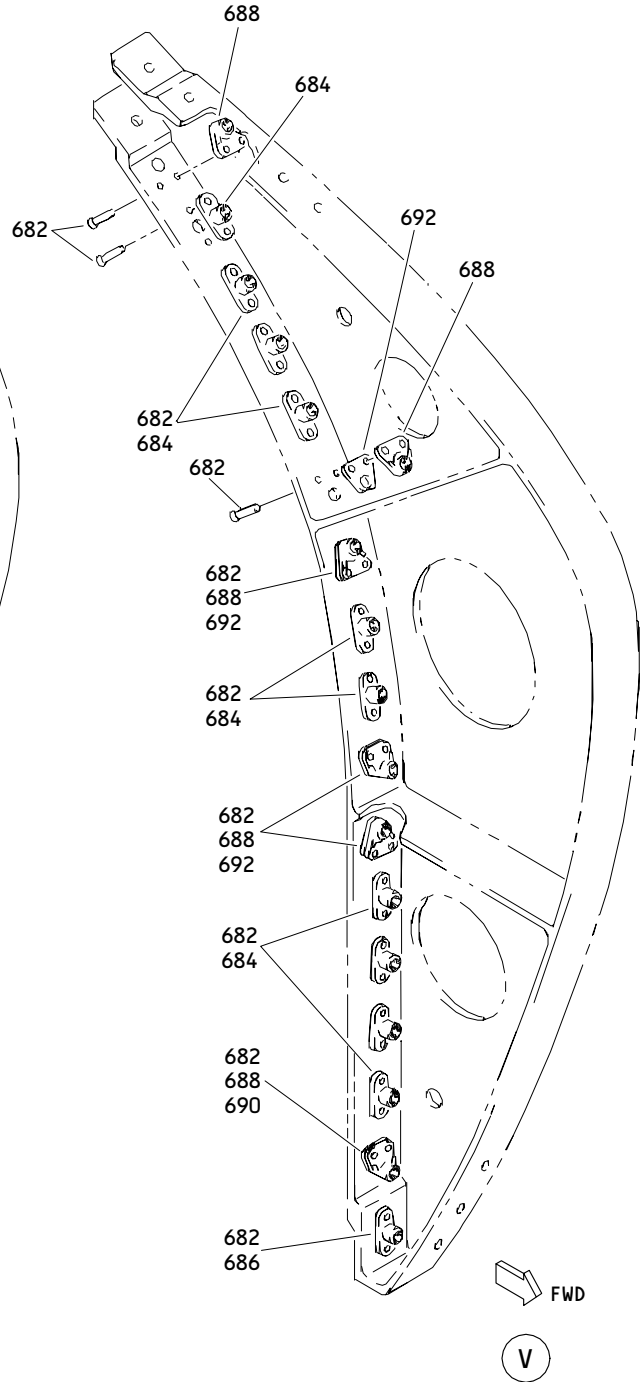
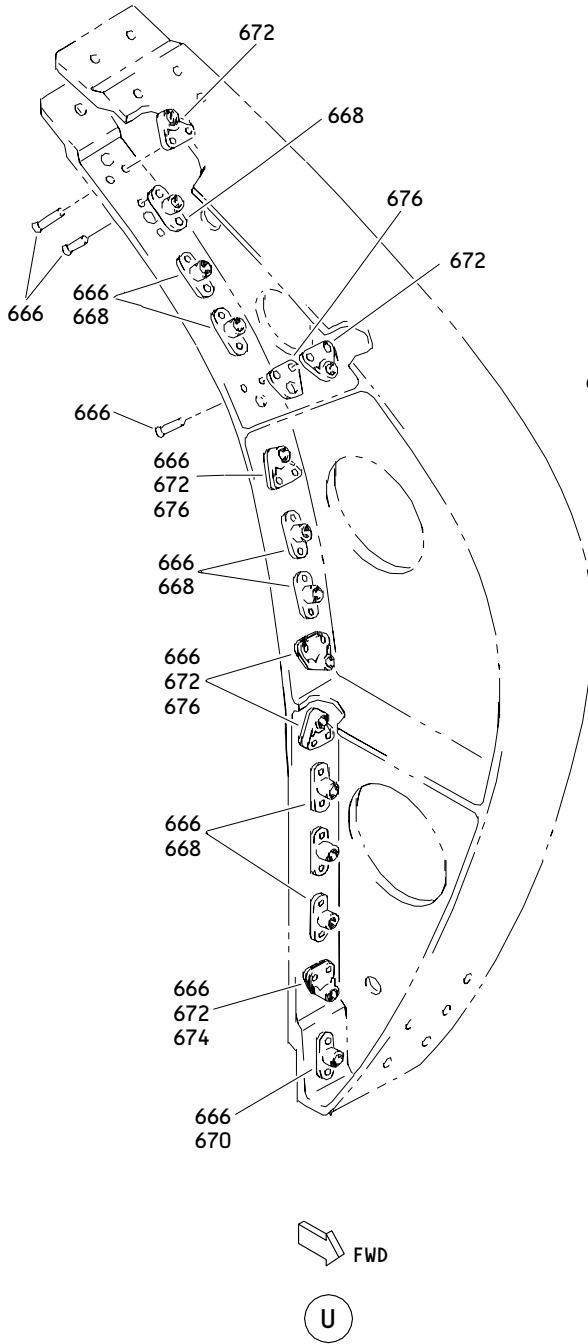
ILLUSTRATED PARTS LIST
 01.1 Page 1090Q
 Jul 01/03



Inboard Slat No. 6 and 7 Wing Leading Edge Spoiler Assembly
 Figure 6 (Sheet 9)

57-43-37

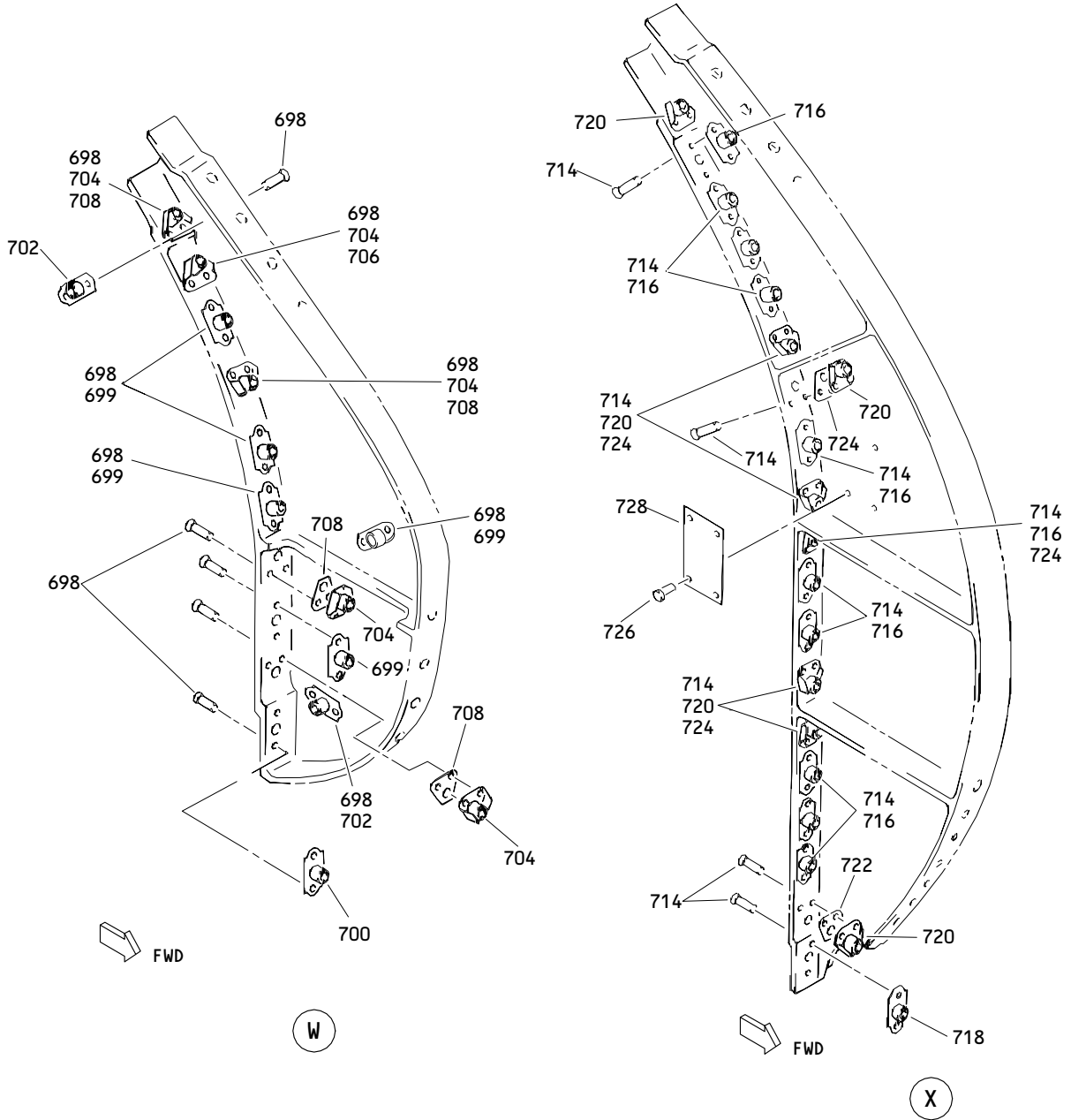
ILLUSTRATED PARTS LIST
 01.1 Page 1090R
 Jul 01/03



Inboard Slat No. 6 and 7 Wing Leading Edge Spoiler Assembly
Figure 6 (Sheet 10)

57-43-37

ILLUSTRATED PARTS LIST
01.1 Page 1090S
Jul 01/03



Inboard Slat No. 6 and 7 Wing Leading Edge Spoiler Assembly
 Figure 6 (Sheet 11)

57-43-37

ILLUSTRATED PARTS LIST
 01.1 Page 1090T
 Jul 01/03

| FIG. & ITEM | PART NO. | AIRLINE PART NUMBER | NOMENCLATURE 1234567 | EFF CODE | QTY PER ASSY |
|-------------|--------------|---------------------|--|----------|--------------|
| 06- | | | | | |
| -1 | 113T4100-17 | | DELETED | | |
| -1A | 113T3100-17 | | DELETED | | |
| -1B | 114T3100-17 | | STRUCTURE ASSY-SLAT NO. 6 INBD LE (VARIABLE) (LH) (PRE SB 767-57A0057) (FOR ADDITIONAL DETAILS SEE FIG. 5) | R | RF |
| -1C | 114T3100-23 | | STRUCTURE ASSY-SLAT NO. 6 INBD LE (VARIABLE) (RH) (PRE SB 767-57A0057) (FOR ADDITIONAL DETAILS SEE FIG. 5) | V | RF |
| -1D | 114T3100-31 | | STRUCTURE ASSY-SLAT NO. 6 INBD LE (VARIABLE) (LH) (PRE SB 767-57A0057) (FOR ADDITIONAL DETAILS SEE FIG. 5) | Z | RF |
| -1E | 114T3100-39 | | STRUCTURE ASSY-SLAT NO. 6 INBD LE (VARIABLE) (LH) (PRE SB 767-57A0057) (FOR ADDITIONAL DETAILS SEE FIG. 5) | AL | RF |
| -1F | 114T3100-41 | | STRUCTURE ASSY-SLAT NO. 6 INBD LE (VARIABLE) (LH) (FOR ADDITIONAL DETAILS SEE FIG. 5) | E | RF |
| -1G | 114T3100-45 | | DELETED | | |
| -1H | 114T3100-47 | | DELETED | | |
| -1J | 015T1507-615 | | STRUCTURE ASSY-SLAT NO. 6 INBD LE (LH) (POST SB 767-57A0057) (FOR ADDITIONAL DETAILS SEE FIG. 5) | CU | RF |
| -1K | 015T1507-655 | | STRUCTURE ASSY-SLAT NO. 6 INBD LE (LH) (POST SB 767-57A0057) (FOR ADDITIONAL DETAILS SEE FIG. 5) | CV | RF |
| -1L | 015T1507-623 | | STRUCTURE ASSY-SLAT NO. 6 INBD LE (LH) (POST SB 767-57A0057) (FOR ADDITIONAL DETAILS SEE FIG. 5) | CW | RF |

57-43-37

| FIG. & ITEM | PART NO. | AIRLINE PART NUMBER | NOMENCLATURE 1234567 | EFF CODE | QTY PER ASSY |
|-------------|--------------|---------------------|--|----------|--------------|
| 06- -1M | 015T1507-663 | | STRUCTURE ASSY-SLAT NO. 6 INBD LE (LH) (POST SB 767-57A0057) (FOR ADDITIONAL DETAILS SEE FIG. 5) | CX | RF |
| -1N | 015T1507-629 | | STRUCTURE ASSY-SLAT NO. 6 INBD LE (LH) (POST SB 767-57A0057) (FOR ADDITIONAL DETAILS SEE FIG. 5) | CY | RF |
| -1P | 015T1507-669 | | STRUCTURE ASSY-SLAT NO. 6 INBD LE (LH) (POST SB 767-57A0057) (FOR ADDITIONAL DETAILS SEE FIG. 5) | CZ | RF |
| -1Q | 015T1507-637 | | STRUCTURE ASSY-SLAT NO. 6 INBD LE (LH) (POST SB 767-57A0057) (FOR ADDITIONAL DETAILS SEE FIG. 5) | DA | RF |
| -1R | 015T1507-677 | | STRUCTURE ASSY-SLAT NO. 6 INBD LE (LH) (POST SB 767-57A0057) (FOR ADDITIONAL DETAILS SEE FIG. 5) | DB | RF |
| -5 | 113T4100-18 | | DELETED | | |
| -5A | 113T3100-18 | | DELETED | | |
| -5B | 114T3100-18 | | STRUCTURE ASSY-SLAT NO. 7 INBD LE (VARIABLE) (RH) (PRE SB 767-57A0057) (FOR ADDITIONAL DETAILS SEE FIG. 5) | S | RF |
| -5C | 114T3100-24 | | STRUCTURE ASSY-SLAT NO. 7 INBD LE (VARIABLE) (RH) (PRE SB 767-57A0057) (FOR ADDITIONAL DETAILS SEE FIG. 5) | W | RF |
| -5D | 114T3100-32 | | STRUCTURE ASSY-SLAT NO. 7 INBD LE (VARIABLE) (RH) (PRE SB 767-57A0057) (FOR ADDITIONAL DETAILS SEE FIG. 5) | AC | RF |

57-43-37

 ILLUSTRATED PARTS LIST
 01.1 Page 1090V
 Jul 01/03

015T0165
 015T1507
 114T3100
 DASH NUMBERS LIMITED

 **BOEING**
 COMPONENT
 MAINTENANCE MANUAL

| FIG. & ITEM | PART NO. | AIRLINE PART NUMBER | NOMENCLATURE 1234567 | EFF CODE | QTY PER ASSY |
|-------------|--------------|---------------------|--|----------|--------------|
| 06- -5E | 114T3100-40 | | STRUCTURE ASSY-SLAT NO. 7 INBD LE (VARIABLE) (RH) (PRE SB 767-57A0057) (FOR ADDITIONAL DETAILS SEE FIG. 5) | AN | RF |
| -5F | 114T3100-42 | | STRUCTURE ASSY-SLAT NO. 7 INBD LE (VARIABLE) (RH) (FOR ADDITIONAL DETAILS SEE FIG. 5) | F | RF |
| -5G | 114T3100-46 | | DELETED | | |
| -5H | 114T3100-48 | | DELETED | | |
| -5J | 015T1507-616 | | STRUCTURE ASSY-SALT NO. 7 INBD LE (RH) (POST SB 767-57A0057) (FOR ADDITIONAL DETAILS SEE FIG. 5) | DC | RF |
| -5K | 015T1507-656 | | STRUCTURE ASSY-SALT NO. 7 INBD LE (RH) (POST SB 767-57A0057) (FOR ADDITIONAL DETAILS SEE FIG. 5) | DD | RF |
| -5L | 015T1507-624 | | STRUCTURE ASSY-SALT NO. 7 INBD LE (RH) (POST SB 767-57A0057) (FOR ADDITIONAL DETAILS SEE FIG. 5) | DE | RF |
| -5M | 015T1507-664 | | STRUCTURE ASSY-SALT NO. 7 INBD LE (RH) (POST SB 767-57A0057) (FOR ADDITIONAL DETAILS SEE FIG. 5) | DF | RF |
| -5N | 015T1507-630 | | STRUCTURE ASSY-SALT NO. 7 INBD LE (RH) (POST SB 767-57A0057) (FOR ADDITIONAL DETAILS SEE FIG. 5) | DG | RF |
| -5P | 015T1507-670 | | STRUCTURE ASSY-SALT NO. 7 INBD LE (RH) (POST SB 767-57A0057) (FOR ADDITIONAL DETAILS SEE FIG. 5) | DH | RF |

57-43-37

ILLUSTRATED PARTS LIST
 01.1 Page 1090W
 Jul 01/03

| FIG. & ITEM | PART NO. | AIRLINE PART NUMBER | NOMENCLATURE | EFF CODE | QTY PER ASSY |
|-------------|--------------|---------------------|--|--|--------------|
| | | | 1234567 | | |
| 06-5Q | 015T1507-638 | | STRUCTURE ASSY-SALT NO. 7 INBD LE (RH) (POST SB 767-57A0057) (FOR ADDITIONAL DETAILS SEE FIG. 5) | DJ | RF |
| -5R | 015T1507-678 | | STRUCTURE ASSY-SALT NO. 7 INBD LE (RH) (POST SB 767-57A0057) (FOR ADDITIONAL DETAILS SEE FIG. 5) | DK | RF |
| 10 | 114T3148-1 | | .RIB ASSY-MAIN SPRT | E,R,V Z,AL CU- DB | 1 |
| -15 | 114T3148-2 | | .RIB ASSY-MAIN SPRT | F,S,W AC,A N,D C-DK | 1 |
| 20 | BACB30NU3K3 | | ATTACHING PARTS .BOLT | E,F,R S,V, W,Z,A C,AL, AN CU-DK | 4 |
| 25 | HL82-6APBW | | .COLLAR- (V73197) (SPEC BACC30AG6) (OPT HL82-6APBW (V92215)) (OPT HL82-6APBW (V56878)) (OPT HL82-6APBW (V5M902)) (OPT ITEM 35 USED WITH ITEM 30) | E,F,R S,V, W,Z,A C,AL, AN CU-DK | 4 |

57-43-37

ILLUSTRATED PARTS LIST
01.1 Page 1090X
Jul 01/03

| FIG. & ITEM | PART NO. | AIRLINE PART NUMBER | NOMENCLATURE 1234567 | EFF CODE | QTY PER ASSY |
|-------------|------------|---------------------|---|---|--------------|
| 06-30 | AS46-3 | | .WASHER- (V10630) (SPEC BACW10AU3) (OPT K19701P3 (V15653)) (OPT 53488W1032 (V56878)) (OPT 6073-0 (V72962)) (OPT TLN1020L3W (V08524)) (USED WITH ITEM 35) | E,F,R ,S,V, W,Z,A C,AL, AN CU-DK | 4 |
| 35 | H19700P3 | | .NUT- (V15653) (SPEC BACN10MT3) (OPT TLN1020-3N (V08524)) (OPT 52LH6073-02 (V72962)) (OPT 53488-1032 (V56878)) (OPT ITEM 25) (USED WITH ITEM 30) | E,F,R ,S,V, W,Z,A C,AL, AN CU-DK | 4 |
| 40 | BACB30NW6K | | .BOLT- (SIZE DETERMINE ON INST) | E,F,R ,S,V, W,Z,A C,AL, AN CU-DK | 2 |

57-43-37

| FIG. & ITEM | PART NO. | AIRLINE PART NUMBER | NOMENCLATURE 1234567 | EFF CODE | QTY PER ASSY |
|-------------|-------------|---------------------|--|---|--------------|
| 06-50 | HL82-6APBW | | .COLLAR- (V73197) (SPEC BACC30AG6) (OPT HL82-6APBW (V92215)) (OPT HL82-6APBW (V56878)) (OPT HL82-6APBW (V5M902)) | E,F,R ,S,V, W,Z,A C,AL, AN CU-DK | 2 |
| 55 | BACR15CE5KE | | .RIVET- (SIZE DETERMINE ON INST) | E,F,R ,S,V, W,Z,A C,AL, AN CU-DK | 22 |
| 60 | BACR15CE6KE | | .RIVET- (SIZE DETERMINE ON INST) -----*----- | E,F,R ,S,V, W,Z,A C,AL, AN CU-DK | 2 |
| 65 | ADB08V301NC | | ..BEARING- (V15860) (SPEC BACB10FB08GC) (OPT HTFB08GC (VS0352)) (OPT KNDB08-70 (V97613)) (OPT KSC145700BZ08GC (V50632)) (OPT NES08FBGC (V73134)) | E,F,R ,S,V, W,Z,A C,AL, AN CU-DK | 1 |
| 70 | BACR15BA3AD | | ..RIVET- (SIZE DETERMINE ON INST) | E,F,R ,S,V, W,Z,A C,AL, AN CU-DK | 36 |
| 75 | BACN10JQ32 | | ..NUTPLATE | E,F,R ,S,V, W,Z,A C,AL, AN CU-DK | 6 |

57-43-37

 ILLUSTRATED PARTS LIST
 01.1 Page 1090Z
 Jul 01/03

| FIG. & ITEM | PART NO. | AIRLINE PART NUMBER | NOMENCLATURE 1234567 | EFF CODE | QTY PER ASSY |
|-------------|--------------|---------------------|--|---|--------------|
| 06-80 | NS103225-02 | | ..NUTPLATE- (V80539) (SPEC BACN10KH3) (OPT RMF9209M3 (V72962)) (OPT F29779-3 (V15653)) | E,F,R ,S,V, W,Z,A C,AL, AN CU-DK | 12 |
| 85 | NAS1195DD3KM | | ..SHIM | E,F,R ,S,V, W,Z,A C,AL, AN CU-DK | 11 |
| 90 | 114T3148-3 | | ..RIB | E,R,V ,Z,AL ,CU- DB | 1 |
| -95 | 114T3148-4 | | ..RIB | F,S,W ,AC,A N,D C-DK | 1 |
| 100 | 114T3141-1 | | .RIB ASSY-MAIN SPRT | E,R,V ,Z,AL ,CU- DB | 1 |
| -105 | 114T3141-2 | | .RIB ASSY-MAIN SPRT | F,S,W ,AC,A N,D C-DK | 1 |
| 110 | BACB30NU3K3 | | ATTACHING PARTS .BOLT | E,F,R ,S,V, W,Z,A C,AL, AN CU-DK | 4 |

57-43-37

| FIG. & ITEM | PART NO. | AIRLINE PART NUMBER | NOMENCLATURE 1234567 | EFF CODE | QTY PER ASSY |
|-------------|------------|---------------------|--|---|--------------|
| 06-115 | HL82-6APBW | | .COLLAR- (V73197) (SPEC BACC30AG6) (OPT HL82-6APBW (V92215)) (OPT HL82-6APBW (V56878)) (OPT HL82-6APBW (V5M902)) (OPT ITEM 125 USED WITH ITEM 120) | E,F,R ,S,V, W,Z,A C,AL, AN CU-DK | 4 |
| 120 | AS46-3 | | .WASHER- (V10630) (SPEC BACW10AU3) (OPT K19701P3 (V15653)) (OPT 53488W1032 (V56878)) (OPT 6073-0 (V72962)) (OPT TLN1020L3W (V08524)) (USED WITH ITEM 125) | E,F,R ,S,V, W,Z,A C,AL, AN CU-DK | 4 |
| 125 | H19700P3 | | .NUT- (V15653) (SPEC BACN10MT3) (OPT TLN1020-3N (V08524)) (OPT 52LH6073-02 (V72962)) (OPT 53488-1032 (V56878)) (OPT ITEM 115) (USED WITH ITEM 120) | E,F,R ,S,V, W,Z,A C,AL, AN CU-DK | 4 |

57-43-37

 ILLUSTRATED PARTS LIST
 01.1 Page 1092
 Jul 01/03

| FIG. & ITEM | PART NO. | AIRLINE PART NUMBER | NOMENCLATURE 1234567 | EFF CODE | QTY PER ASSY |
|-------------|-------------|---------------------|--|---|--------------|
| 06-130 | BACB30NW6K | | .BOLT- (SIZE DETERMINE ON INST) | E,F,R ,S,V, W,Z,A C,AL, AN CU-DK | 2 |
| 135 | HL82-6APBW | | .COLLAR- (V73197) (SPEC BACC30AG6) (OPT HL82-6APBW (V92215)) (OPT HL82-6APBW (V56878)) (OPT HL82-6APBW (V5M902)) | E,F,R ,S,V, W,Z,A C,AL, AN CU-DK | 2 |
| 140 | BACR15CE5KE | | .RIVET- (SIZE DETERMINE ON INST) | E,F,R ,S,V, W,Z,A C,AL, AN CU-DK | 18 |
| 145 | BACR15CE6KE | | .RIVET- (SIZE DETERMINE ON INST) -----*----- | E,F,R ,S,V, W,Z,A C,AL, AN CU-DK | 8 |
| 147 | ADB08V301NC | | ..BEARING- (V15860) (SPEC BACB10FB08GC) (OPT HTFB08GC (VS0352)) (OPT KNDB08-70 (V97613)) (OPT KSC145700BZ08GC (V50632)) (OPT NES08FBGC (V73134)) | E,F,R ,S,V, W,Z,A C,AL, AN CU-DK | 1 |

57-43-37

| FIG. & ITEM | PART NO. | AIRLINE PART NUMBER | NOMENCLATURE 1234567 | EFF CODE | QTY PER ASSY |
|-------------|--------------|---------------------|--|---|--------------|
| 06-150 | BACR15BA3AD | | ..RIVET- (SIZE DETERMINE ON INST) | E,F,R ,S,V, W,Z,A C,AL, AN CU-DK | 44 |
| 155 | BACN10JQ32 | | ..NUTPLATE | E,F,R ,S,V, W,Z,A C,AL, AN CU-DK | 8 |
| 160 | NS103225-02 | | ..NUTPLATE- (V80539) (SPEC BACN10KH3) (OPT RMF9209M3 (V72962)) (OPT F29779-3 (V15653)) | E,F,R ,S,V, W,Z,A C,AL, AN CU-DK | 14 |
| 165 | NAS1195DD3KM | | ..SHIM | E,F,R ,S,V, W,Z,A C,AL, AN CU-DK | 6 |
| 170 | 114T3141-3 | | ..RIB | E,R,V ,Z,AL ,CU- DB | 1 |
| -175 | 114T3141-4 | | ..RIB | F,S,W ,AC,A N,D C-DK | 1 |
| 180 | 114T3134-1 | | .RIB ASSY-MAIN SPRT | E,R,V ,Z,AL ,CU- DB | 1 |

57-43-37

 ILLUSTRATED PARTS LIST
 01.1 Page 1092B
 Jul 01/03

| FIG. & ITEM | PART NO. | AIRLINE PART NUMBER | NOMENCLATURE 1234567 | EFF CODE | QTY PER ASSY |
|-------------|-------------|---------------------|--|---|--------------|
| 06- -185 | 114T3134-2 | | .RIB ASSY-MAIN SPRT | F,S,W ,AC,A N,D C-DK | 1 |
| 190 | BACB30NU3K3 | | ATTACHING PARTS .BOLT | E,F,R ,S,V, W,Z,A C,AL, AN CU-DK | 6 |
| 195 | HL82-6APBW | | .COLLAR- (V73197) (SPEC BACC30AG6) (OPT HL82-6APBW (V92215)) (OPT HL82-6APBW (V56878)) (OPT HL82-6APBW (V5M902)) (OPT ITEM 205 USED WITH ITEM 200) | E,F,R ,S,V, W,Z,A C,AL, AN CU-DK | 6 |
| 200 | AS46-3 | | .WASHER- (V10630) (SPEC BACW10AU3) (OPT K19701P3 (V15653)) (OPT 53488W1032 (V56878)) (OPT 6073-0 (V72962)) (OPT TLN1020L3W (V08524)) (USED WITH ITEM 205) | E,F,R ,S,V, W,Z,A C,AL, AN CU-DK | 6 |
| 205 | H19700P3 | | .NUT- (V15653) (SPEC BACN10MT3) (OPT TLN1020-3N (V08524)) (OPT 52LH6073-02 (V72962)) (OPT 53488-1032 (V56878)) (OPT ITEM 195) (USED WITH ITEM 200) | E,F,R ,S,V, W,Z,A C,AL, AN CU-DK | 6 |

57-43-37

| FIG. & ITEM | PART NO. | AIRLINE PART NUMBER | NOMENCLATURE 1234567 | EFF CODE | QTY PER ASSY |
|-------------|-------------|---------------------|--|---|--------------|
| 06-210 | BACB30NW6K | | .BOLT- (SIZE DETERMINE ON INST) | E,F,R ,S,V, W,Z,A C,AL, AN CU-DK | 2 |
| 215 | HL82-6APBW | | .COLLAR- (V73197) (SPEC BACC30AG6) (OPT HL82-6APBW (V92215)) (OPT HL82-6APBW (V56878)) (OPT HL82-6APBW (V5M902)) | E,F,R ,S,V, W,Z,A C,AL, AN CU-DK | 2 |
| 220 | BACR15CE5KE | | .RIVET- (SIZE DETERMINE ON INST) | E,F,R ,S,V, W,Z,A C,AL, AN CU-DK | 18 |
| 225 | BACR15CE6KE | | .RIVET- (SIZE DETERMINE ON INST) -----*----- | E,F,R ,S,V, W,Z,A C,AL, AN CU-DK | 10 |
| 230 | 114T3152-1 | | ..NUT-EXTERNAL | E,F,R ,S,V, W,Z,A C,AL, AN CU-DK | 1 |

57-43-37

 ILLUSTRATED PARTS LIST
 01.1 Page 1092D
 Jul 01/03

| FIG. & ITEM | PART NO. | AIRLINE PART NUMBER | NOMENCLATURE 1234567 | EFF CODE | QTY PER ASSY |
|-------------|------------|---------------------|--|---|--------------|
| 06-235 | 114T3154-1 | | ..WASHER-LOCK | E,F,R ,S,V, W,Z,A C,AL, AN CU-DK | 1 |
| 240 | 114T3155-1 | | ..BEARING ASSY | E,F,R ,S,V, W,Z,A C,AL, AN CU-DK | 1 |
| 245 | 114T3153-1 | | ...NUT-INTERNAL | E,F,R ,S,V, W,Z,A C,AL, AN CU-DK | 1 |
| 250 | ABWEN08 | | ...BEARING- (V23589) (SPEC BACB10EN08) (OPT AG8-29 (V15860)) | E,F,R ,S,V, W,Z,A C,AL, AN CU-DK | 1 |
| 255 | 114T3151-1 | | ...HOUSING-FLANGED | E,F,R ,S,V, W,Z,A C,AL, AN CU-DK | 1 |

57-43-37

| FIG. & ITEM | PART NO. | AIRLINE PART NUMBER | NOMENCLATURE 1234567 | EFF CODE | QTY PER ASSY |
|-------------|-------------|---------------------|--|---|--------------|
| 06-260 | BACR15BA3AD | | ..RIVET- (SIZE DETERMINE ON INST) | E,F,R ,S,V, W,Z,A C,AL, AN CU-DK | 60 |
| 265 | BACN10JQ32 | | ..NUTPLATE | E,F,R ,S,V, W,Z,A C,AL, AN CU-DK | 6 |
| 270 | BRFM20A3 | | ..NUTPLATE- (V52828) (SPEC BACN10JN3) (OPT MF1000-3BAC (V15653)) (OPT NS103218-02 (V80539)) (OPT RMF9201M3 (V72962)) (OPT VN252A02 (V92215)) (OPT MF1000-3BAC (V15653)) (OPT MF53049-3 (V15653)) | E,F,R ,S,V, W,Z,A C,AL, AN CU-DK | 4 |
| 275 | NS103225-02 | | ..NUTPLATE- (V80539) (SPEC BACN10KH3) (OPT RMF9209M3 (V72962)) (OPT F29779-3 (V15653)) | E,F,R ,S,V, W,Z,A C,AL, AN CU-DK | 20 |

57-43-37

 ILLUSTRATED PARTS LIST
 01.1 Page 1092F
 Jul 01/03

| FIG. & ITEM | PART NO. | AIRLINE PART NUMBER | NOMENCLATURE 1234567 | EFF CODE | QTY PER ASSY |
|-------------|--------------|---------------------|--|---|--------------|
| 06-280 | NAS1195DD3KM | | ..SHIM | E,F,R ,S,V, W,Z,A C,AL, AN CU-DK | 6 |
| 285 | 114T3134-3 | | ..RIB | E,R,V ,Z,AL ,CU- DB | 1 |
| -290 | 114T3134-4 | | ..RIB | F,S,W ,AC,A N,D C-DK | 1 |
| 295 | 114T3146-1 | | .RIB ASSY-ACTR | E,R,V ,Z,AL ,CU- DB | 1 |
| -300 | 114T3146-2 | | .RIB ASSY-ACTR | F,S,W ,AC,A N,D C-DK | 1 |
| 305 | BACB30NU3K3 | | ATTACHING PARTS .BOLT | E,F,R ,S,V, W,Z,A C,AL, AN CU-DK | 4 |
| 310 | HL82-6APBW | | .COLLAR- (V73197) (SPEC BACC30AG6) (OPT HL82-6APBW (V92215)) (OPT HL82-6APBW (V56878)) (OPT HL82-6APBW (V5M902)) (OPT ITEM 320 USED WITH ITEM 315) | E,F,R ,S,V, W,Z,A C,AL, AN CU-DK | 4 |

57-43-37

| FIG. & ITEM | PART NO. | AIRLINE PART NUMBER | NOMENCLATURE 1234567 | EFF CODE | QTY PER ASSY |
|-------------|-------------|---------------------|--|--|--------------|
| 06-315 | AS46-3 | | .WASHER- (V10630) (SPEC BACW10AU3) (OPT K19701P3 (V15653)) (OPT 53488W1032 (V56878)) (OPT 6073-0 (V72962)) (OPT TLN1020L3W (V08524)) (USED WITH ITEM 320) | E, F, R , S, V, W, Z, A C, AL, AN CU-DK | 4 |
| 320 | H19700P3 | | .NUT- (V15653) (SPEC BACN10MT3) (OPT TLN1020-3N (V08524)) (OPT 52LH6073-02 (V72962)) (OPT 53488-1032 (V56878)) (OPT ITEM 310) (USED WITH ITEM 315) | E, F, R , S, V, W, Z, A C, AL, AN CU-DK | 4 |
| 325 | BACB30NW6K | | .BOLT- (SIZE DETERMINE ON INST) | E, F, R , S, V, W, Z, A C, AL, AN CU-DK | 2 |
| 330 | HL82-6APBW | | .COLLAR- (V73197) (SPEC BACC30AG6) (OPT HL82-6APBW (V92215)) (OPT HL82-6APBW (V56878)) (OPT HL82-6APBW (V5M902)) | E, F, R , S, V, W, Z, A C, AL, AN CU-DK | 2 |
| 335 | BACR15CE5KE | | .RIVET- (SIZE DETERMINE ON INST) | E, F, R , S, V, W, Z, A C, AL, AN CU-DK | 20 |

57-43-37

 ILLUSTRATED PARTS LIST
 01.1 Page 1092H
 Jul 01/03

| FIG. & ITEM | PART NO. | AIRLINE PART NUMBER | NOMENCLATURE 1234567 | EFF CODE | QTY PER ASSY |
|-------------|-------------|---------------------|--|---|--------------|
| 06-340 | BACR15CE6KE | | .RIVET- (SIZE DETERMINE ON INST) -----*----- | E,F,R ,S,V, W,Z,A C,AL, AN CU-DK | 4 |
| 345 | ADB07V301NC | | ..BEARING- (V15860) (SPEC BACB10FB07GC) (OPT KSC145700BZ07GC (V50632)) (OPT NES07FBG (V73134)) (OPT HTFB07V (VS0352)) (OPT KNDB07-62 (V97613)) | E,F,R ,S,V, W,Z,A C,AL, AN CU-DK | 1 |
| 350 | BACR15BA3AD | | ..RIVET- (SIZE DETERMINE ON INST) | E,F,R ,S,V, W,Z,A C,AL, AN CU-DK | 32 |
| 355 | BRFM20A3 | | ..NUTPLATE- (V52828) (SPEC BACN10JN3) (OPT MF1000-3BAC (V15653)) (OPT NS103218-02 (V80539)) (OPT RMF9201M3 (V72962)) (OPT VN252A02 (V92215)) (OPT MF1000-3BAC (V15653)) (OPT MF53049-3 (V15653)) | E,F,R ,S,V, W,Z,A C,AL, AN CU-DK | 8 |

57-43-37

| FIG. & ITEM | PART NO. | AIRLINE PART NUMBER | NOMENCLATURE 1234567 | EFF CODE | QTY PER ASSY |
|-------------|-------------|---------------------|--|---|--------------|
| 06-360 | NS103225-02 | | ..NUTPLATE- (V80539) (SPEC BACN10KH3) (OPT RMF9209M3 (V72962)) (OPT F29779-3 (V15653)) | E,F,R ,S,V, W,Z,A C,AL, AN CU-DK | 18 |
| 365 | 114T3146-3 | | ..RIB | E,R,V ,Z,AL ,CU- DB | 1 |
| -370 | 114T3146-4 | | ..RIB | F,S,W ,AC,A N,D C-DK | 1 |
| 375 | 114T3136-1 | | .RIB ASSY-ACTR | E,R,V ,Z,AL ,CU- DB | 1 |
| -380 | 114T3136-2 | | .RIB ASSY-ACTR | F,S,W ,AC,A N,D C-DK | 1 |
| 385 | BACB30NW6K | | ATTACHING PARTS .BOLT- (SIZE DETERMINE ON INST) | E,F,R ,S,V, W,Z,A C,AL, AN CU-DK | 2 |

57-43-37

 ILLUSTRATED PARTS LIST
 01.1 Page 1092J
 Jul 01/03

| FIG. & ITEM | PART NO. | AIRLINE PART NUMBER | NOMENCLATURE 1234567 | EFF CODE | QTY PER ASSY |
|-------------|-------------|---------------------|--|---|--------------|
| 06-390 | HL82-6APBW | | .COLLAR- (V73197) (SPEC BACC30AG6) (OPT HL82-6APBW (V92215)) (OPT HL82-6APBW (V56878)) (OPT HL82-6APBW (V5M902)) | E,F,R ,S,V, W,Z,A C,AL, AN CU-DK | 2 |
| 395 | BACR15CE5KE | | .RIVET- (SIZE DETERMINE ON INST) | E,F,R ,S,V, W,Z,A C,AL, AN CU-DK | 32 |
| 400 | BACR15CE6KE | | .RIVET- (SIZE DETERMINE ON INST) -----*----- | E,F,R ,S,V, W,Z,A C,AL, AN CU-DK | 2 |
| 405 | ADB07V301NC | | ..BEARING- (V15860) (SPEC BACB10FB07GC) (OPT KSC145700BZ07GC (V50632)) (OPT NES07FBG (V73134)) (OPT HTFB07V (VS0352)) (OPT KNDB07-62 (V97613)) | E,F,R ,S,V, W,Z,A C,AL, AN CU-DK | 1 |

57-43-37

| FIG. & ITEM | PART NO. | AIRLINE PART NUMBER | NOMENCLATURE 1234567 | EFF CODE | QTY PER ASSY |
|-------------|--------------|---------------------|--|---|--------------|
| 06-410 | BACR15BA3AD | | ..RIVET- (SIZE DETERMINE ON INST) | E,F,R ,S,V, W,Z,A C,AL, AN CU-DK | 52 |
| 415 | BRFM20A3 | | ..NUTPLATE- (V52828) (SPEC BACN10JN3) (OPT MF1000-3BAC (V15653)) (OPT NS103218-02 (V80539)) (OPT RMF9201M3 (V72962)) (OPT VN252A02 (V92215)) (OPT MF1000-3BAC (V15653)) (OPT MF53049-3 (V15653)) | E,F,R ,S,V, W,Z,A C,AL, AN CU-DK | 8 |
| 425 | NAS1195DD3KM | | ..SHIM | E,F,R ,S,V, W,Z,A C,AL, AN CU-DK | 2 |
| 430 | 114T3136-3 | | ..RIB | E,R,V ,Z,AL ,CU- DB | 1 |
| -435 | 114T3136-4 | | ..RIB | F,S,W ,AC,A N,D C-DK | 1 |
| -440 | 114T3145-1 | | .RIB ASSY-AIR LOAD | E,R,V ,Z,AL ,CU- DB | 1 |
| -445 | 114T3145-2 | | .RIB ASSY-AIR LOAD | F,S,W ,AC,A N,D C-DK | 1 |

57-43-37

 ILLUSTRATED PARTS LIST
 01.1 Page 1092L
 Jul 01/03

| FIG. & ITEM | PART NO. | AIRLINE PART NUMBER | NOMENCLATURE 1234567 | EFF CODE | QTY PER ASSY |
|-------------|-------------|---------------------|--|---|--------------|
| 06-450 | BACR15BA3AD | | ..RIVET- (SIZE DETERMINE ON INST) | E,F,R ,S,V, W,Z,A C,AL, AN CU-DK | 16 |
| 455 | BACN10JQ32 | | ..NUTPLATE | E,F,R ,S,V, W,Z,A C,AL, AN CU-DK | 2 |
| 460 | BRFM20A3 | | ..NUTPLATE- (V52828) (SPEC BACN10JN3) (OPT MF1000-3BAC (V15653)) (OPT NS103218-02 (V80539)) (OPT RMF9201M3 (V72962)) (OPT VN252A02 (V92215)) (OPT MF1000-3BAC (V15653)) (OPT MF53049-3 (V15653)) | E,F,R ,S,V, W,Z,A C,AL, AN CU-DK | 1 |
| 465 | NS103225-02 | | ..NUTPLATE- (V80539) (SPEC BACN10KH3) (OPT RMF9209M3 (V72962)) (OPT F29779-3 (V15653)) | E,F,R ,S,V, W,Z,A C,AL, AN CU-DK | 5 |

57-43-37

| FIG. & ITEM | PART NO. | AIRLINE PART NUMBER | NOMENCLATURE 1234567 | EFF CODE | QTY PER ASSY |
|-------------|--------------|---------------------|--------------------------------------|---|--------------|
| 06-470 | NAS1195DD3KH | | ..SHIM | E,F,R ,S,V, W,Z,A C,AL, AN CU-DK | 1 |
| 475 | NAS1195DD3KM | | ..SHIM | E,F,R ,S,V, W,Z,A C,AL, AN CU-DK | 3 |
| -480 | 114T3144-1 | | .RIB ASSY-AIR LOAD | E,R,V ,Z,AL ,CU- DB | 1 |
| -485 | 114T3144-2 | | .RIB ASSY-AIR LOAD | F,S,W ,AC,A N,D C-DK | 1 |
| 490 | BACR15BA3AD | | ..RIVET- (SIZE DETERMINE ON INST) | E,F,R ,S,V, W,Z,A C,AL, AN CU-DK | 18 |
| 495 | BACN10JQ32 | | ..NUTPLATE | E,F,R ,S,V, W,Z,A C,AL, AN CU-DK | 2 |

57-43-37

 ILLUSTRATED PARTS LIST
 01.1 Page 1092N
 Jul 01/03

| FIG. & ITEM | PART NO. | AIRLINE PART NUMBER | NOMENCLATURE 1234567 | EFF CODE | QTY PER ASSY |
|-------------|--------------|---------------------|--|---|--------------|
| 06-500 | BRFM20A3 | | ..NUTPLATE- (V52828) (SPEC BACN10JN3) (OPT MF1000-3BAC (V15653)) (OPT NS103218-02 (V80539)) (OPT RMF9201M3 (V72962)) (OPT VN252A02 (V92215)) (OPT MF1000-3BAC (V15653)) (OPT MF53049-3 (V15653)) | E,F,R ,S,V, W,Z,A C,AL, AN CU-DK | 1 |
| 505 | NS103225-02 | | ..NUTPLATE- (V80539) (SPEC BACN10KH3) (OPT RMF9209M3 (V72962)) (OPT F29779-3 (V15653)) | E,F,R ,S,V, W,Z,A C,AL, AN CU-DK | 6 |
| 510 | NAS1195DD3KH | | ..SHIM | E,F,R ,S,V, W,Z,A C,AL, AN CU-DK | 1 |
| 515 | NAS1195DD3KM | | ..SHIM | E,F,R ,S,V, W,Z,A C,AL, AN CU-DK | 4 |

57-43-37

| FIG. & ITEM | PART NO. | AIRLINE PART NUMBER | NOMENCLATURE 1234567 | EFF CODE | QTY PER ASSY |
|-------------|-------------|---------------------|--|--|--------------|
| 06-520 | 114T3143-1 | | .RIB ASSY-AIR LOAD | E,R,V Z,AL CU-DB | 1 |
| -525 | 114T3143-2 | | .RIB ASSY-AIR LOAD | F,S,W AC,A N,D C-DK | 1 |
| 530 | BACR15BA3AD | | ..RIVET- (SIZE DETERMINE ON INST) | E,F,R S,V, W,Z,A C,AL, AN CU-DK | 18 |
| 535 | BACN10JQ32 | | ..NUTPLATE | E,F,R S,V, W,Z,A C,AL, AN CU-DK | 2 |
| 540 | BRFM20A3 | | ..NUTPLATE- (V52828) (SPEC BACN10JN3) (OPT MF1000-3BAC (V15653)) (OPT NS103218-02 (V80539)) (OPT RMF9201M3 (V72962)) (OPT VN252A02 (V92215)) (OPT MF1000-3BAC (V15653)) (OPT MF53049-3 (V15653)) | E,F,R S,V, W,Z,A C,AL, AN CU-DK | 1 |
| 545 | NS103225-02 | | ..NUTPLATE- (V80539) (SPEC BACN10KH3) (OPT RMF9209M3 (V72962)) (OPT F29779-3 (V15653)) | E,F,R S,V, W,Z,A C,AL, AN CU-DK | 6 |

57-43-37

 ILLUSTRATED PARTS LIST
 01.1 Page 1092P
 Jul 01/03

| FIG. & ITEM | PART NO. | AIRLINE PART NUMBER | NOMENCLATURE 1234567 | EFF CODE | QTY PER ASSY |
|-------------|--------------|---------------------|--------------------------------------|---|--------------|
| 06-550 | NAS1195DD3KH | | ..SHIM | E,F,R ,S,V, W,Z,A C,AL, AN CU-DK | 1 |
| 555 | NAS1195DD3KM | | ..SHIM | E,F,R ,S,V, W,Z,A C,AL, AN CU-DK | 4 |
| -560 | 114T3140-1 | | .RIB ASSY-AIR LOAD | E,R,V ,Z,AL ,CU- DB | 1 |
| -565 | 114T3140-2 | | .RIB ASSY-AIR LOAD | F,S,W ,AC,A N,D C-DK | 1 |
| 570 | BACR15BA3AD | | ..RIVET- (SIZE DETERMINE ON INST) | E,F,R ,S,V, W,Z,A C,AL, AN CU-DK | 20 |
| 575 | BACN10JQ32 | | ..NUTPLATE | E,F,R ,S,V, W,Z,A C,AL, AN CU-DK | 5 |

57-43-37

| FIG. & ITEM | PART NO. | AIRLINE PART NUMBER | NOMENCLATURE 1234567 | EFF CODE | QTY PER ASSY |
|-------------|--------------|---------------------|--|---|--------------|
| 06-580 | BRFM20A3 | | ..NUTPLATE- (V52828) (SPEC BACN10JN3) (OPT MF1000-3BAC (V15653)) (OPT NS103218-02 (V80539)) (OPT RMF9201M3 (V72962)) (OPT VN252A02 (V92215)) (OPT MF1000-3BAC (V15653)) (OPT MF53049-3 (V15653)) | E,F,R ,S,V, W,Z,A C,AL, AN CU-DK | 1 |
| 585 | NS103225-02 | | ..NUTPLATE- (V80539) (SPEC BACN10KH3) (OPT RMF9209M3 (V72962)) (OPT F29779-3 (V15653)) | E,F,R ,S,V, W,Z,A C,AL, AN CU-DK | 4 |
| 590 | NAS1195DD3KM | | ..SHIM | E,F,R ,S,V, W,Z,A C,AL, AN CU-DK | 3 |
| -595 | 114T3139-1 | | .RIB ASSY-AIR LOAD | E,R,V ,Z,AL ,CU- DB | 1 |
| -600 | 114T3139-2 | | .RIB ASSY-AIR LOAD | F,S,W ,AC,A N,D C-DK | 1 |

57-43-37

ILLUSTRATED PARTS LIST
01.1 Page 1092R
Jul 01/03

| FIG. & ITEM | PART NO. | AIRLINE PART NUMBER | NOMENCLATURE 1234567 | EFF CODE | QTY PER ASSY |
|-------------|-------------|---------------------|--|---|--------------|
| 06-602 | BACR15BA3AD | | ..RIVET- (SIZE DETERMINE ON INST) | E,F,R ,S,V, W,Z,A C,AL, AN CU-DK | 20 |
| 604 | BACN10JQ32 | | ..NUTPLATE | E,F,R ,S,V, W,Z,A C,AL, AN CU-DK | 2 |
| 606 | BRFM20A3 | | ..NUTPLATE- (V52828) (SPEC BACN10JN3) (OPT MF1000-3BAC (V15653)) (OPT NS103218-02 (V80539)) (OPT RMF9201M3 (V72962)) (OPT VN252A02 (V92215)) (OPT MF1000-3BAC (V15653)) (OPT MF53049-3 (V15653)) | E,F,R ,S,V, W,Z,A C,AL, AN CU-DK | 1 |
| 608 | NS103225-02 | | ..NUTPLATE- (V80539) (SPEC BACN10KH3) (OPT RMF9209M3 (V72962)) (OPT F29779-3 (V15653)) | E,F,R ,S,V, W,Z,A C,AL, AN CU-DK | 7 |

57-43-37

| FIG. & ITEM | PART NO. | AIRLINE PART NUMBER | NOMENCLATURE 1234567 | EFF CODE | QTY PER ASSY |
|-------------|--------------|---------------------|--------------------------------------|---|--------------|
| 06-610 | NAS1195DD3KH | | ..SHIM | E,F,R ,S,V, W,Z,A C,AL, AN CU-DK | 1 |
| 612 | NAS1195DD3KM | | ..SHIM | E,F,R ,S,V, W,Z,A C,AL, AN CU-DK | 6 |
| -614 | 114T3138-1 | | .RIB ASSY-AIR LOAD | E,R,V ,Z,AL ,CU- DB | 1 |
| -616 | 114T3138-2 | | .RIB ASSY-AIR LOAD | F,S,W ,AC,A N,D C-DK | 1 |
| 618 | BACR15BA3AD | | ..RIVET- (SIZE DETERMINE ON INST) | E,F,R ,S,V, W,Z,A C,AL, AN CU-DK | 22 |
| 620 | BACN10JQ32 | | ..NUTPLATE | E,F,R ,S,V, W,Z,A C,AL, AN CU-DK | 4 |

57-43-37

 ILLUSTRATED PARTS LIST
 01.1 Page 1092T
 Jul 01/03

| FIG. & ITEM | PART NO. | AIRLINE PART NUMBER | NOMENCLATURE 1234567 | EFF CODE | QTY PER ASSY |
|-------------|--------------|---------------------|--|---|--------------|
| 06-622 | BRFM20A3 | | ..NUTPLATE- (V52828) (SPEC BACN10JN3) (OPT MF1000-3BAC (V15653)) (OPT NS103218-02 (V80539)) (OPT RMF9201M3 (V72962)) (OPT VN252A02 (V92215)) (OPT MF1000-3BAC (V15653)) (OPT MF53049-3 (V15653)) | E,F,R ,S,V, W,Z,A C,AL, AN CU-DK | 1 |
| 624 | NS103225-02 | | ..NUTPLATE- (V80539) (SPEC BACN10KH3) (OPT RMF9209M3 (V72962)) (OPT F29779-3 (V15653)) | E,F,R ,S,V, W,Z,A C,AL, AN CU-DK | 6 |
| 626 | NAS1195DD3KH | | ..SHIM | E,F,R ,S,V, W,Z,A C,AL, AN CU-DK | 1 |
| 628 | NAS1195DD3KM | | ..SHIM | E,F,R ,S,V, W,Z,A C,AL, AN CU-DK | 5 |

57-43-37

| FIG. & ITEM | PART NO. | AIRLINE PART NUMBER | NOMENCLATURE 1234567 | EFF CODE | QTY PER ASSY |
|-------------|-------------|---------------------|--|---|--------------|
| 06- -630 | 114T3137-1 | | .RIB ASSY-AIR LOAD | E,R,V ,Z,AL ,CU- DB | 1 |
| -632 | 114T3137-2 | | .RIB ASSY-AIR LOAD | F,S,W ,AC,A N,D C-DK | 1 |
| 634 | BACR15BA3AD | | ..RIVET- (SIZE DETERMINE ON INST) | E,F,R ,S,V, W,Z,A C,AL, AN CU-DK | 22 |
| 636 | BACN10JQ32 | | ..NUTPLATE | E,F,R ,S,V, W,Z,A C,AL, AN CU-DK | 3 |
| 638 | BRFM20A3 | | ..NUTPLATE- (V52828) (SPEC BACN10JN3) (OPT MF1000-3BAC (V15653)) (OPT NS103218-02 (V80539)) (OPT RMF9201M3 (V72962)) (OPT VN252A02 (V92215)) (OPT MF1000-3BAC (V15653)) (OPT MF53049-3 (V15653)) | E,F,R ,S,V, W,Z,A C,AL, AN CU-DK | 1 |

57-43-37

ILLUSTRATED PARTS LIST
01.1 Page 1092V
Jul 01/03

| FIG. & ITEM | PART NO. | AIRLINE PART NUMBER | NOMENCLATURE 1234567 | EFF CODE | QTY PER ASSY |
|-------------|--------------|---------------------|--|---|--------------|
| 06-640 | NS103225-02 | | ..NUTPLATE- (V80539) (SPEC BACN10KH3) (OPT RMF9209M3 (V72962)) (OPT F29779-3 (V15653)) | E,F,R ,S,V, W,Z,A C,AL, AN CU-DK | 7 |
| 642 | NAS1195DD3KH | | ..SHIM | E,F,R ,S,V, W,Z,A C,AL, AN CU-DK | 1 |
| 644 | NAS1195DD3KM | | ..SHIM | E,F,R ,S,V, W,Z,A C,AL, AN CU-DK | 6 |
| -646 | 114T3133-1 | | .RIB ASSY-AIR LOAD | E,R,V ,Z,AL ,CU- DB | 1 |
| -648 | 114T3133-2 | | .RIB ASSY-AIR LOAD | F,S,W ,AC,A N,D C-DK | 1 |
| 650 | BACR15BA3AD | | ..RIVET- (SIZE DETERMINE ON INST) | E,F,R ,S,V, W,Z,A C,AL, AN CU-DK | 28 |

57-43-37

| FIG. & ITEM | PART NO. | AIRLINE PART NUMBER | NOMENCLATURE 1234567 | EFF CODE | QTY PER ASSY |
|-------------|--------------|---------------------|--|---|--------------|
| 06-652 | BACN10JQ32 | | ..NUTPLATE | E,F,R ,S,V, W,Z,A C,AL, AN CU-DK | 7 |
| 654 | BRFM20A3 | | ..NUTPLATE- (V52828) (SPEC BACN10JN3) (OPT MF1000-3BAC (V15653)) (OPT NS103218-02 (V80539)) (OPT RMF9201M3 (V72962)) (OPT VN252A02 (V92215)) (OPT MF1000-3BAC (V15653)) (OPT MF53049-3 (V15653)) | E,F,R ,S,V, W,Z,A C,AL, AN CU-DK | 1 |
| 656 | NS103225-02 | | ..NUTPLATE- (V80539) (SPEC BACN10KH3) (OPT RMF9209M3 (V72962)) (OPT F29779-3 (V15653)) | E,F,R ,S,V, W,Z,A C,AL, AN CU-DK | 6 |
| 658 | NAS1195DD3KH | | ..SHIM | E,F,R ,S,V, W,Z,A C,AL, AN CU-DK | 1 |
| 660 | NAS1195DD3KM | | ..SHIM | E,F,R ,S,V, W,Z,A C,AL, AN CU-DK | 4 |

57-43-37

 ILLUSTRATED PARTS LIST
 01.1 Page 1092X
 Jul 01/03

| FIG. & ITEM | PART NO. | AIRLINE PART NUMBER | NOMENCLATURE 1234567 | EFF CODE | QTY PER ASSY |
|-------------|-------------|---------------------|--|---|--------------|
| 06- -662 | 114T3132-1 | | .RIB ASSY-AIR LOAD | E,R,V ,Z,AL ,CU- DB | 1 |
| -664 | 114T3132-2 | | .RIB ASSY-AIR LOAD | F,S,W ,AC,A N,D C-DK | 1 |
| 666 | BACR15BA3AD | | ..RIVET- (SIZE DETERMINE ON INST) | E,F,R ,S,V, W,Z,A C,AL, AN CU-DK | 30 |
| 668 | BACN10JQ32 | | ..NUTPLATE | E,F,R ,S,V, W,Z,A C,AL, AN CU-DK | 8 |
| 670 | BRFM20A3 | | ..NUTPLATE- (V52828) (SPEC BACN10JN3) (OPT MF1000-3BAC (V15653)) (OPT NS103218-02 (V80539)) (OPT RMF9201M3 (V72962)) (OPT VN252A02 (V92215)) (OPT MF1000-3BAC (V15653)) (OPT MF53049-3 (V15653)) | E,F,R ,S,V, W,Z,A C,AL, AN CU-DK | 1 |

57-43-37

| FIG. & ITEM | PART NO. | AIRLINE PART NUMBER | NOMENCLATURE 1234567 | EFF CODE | QTY PER ASSY |
|-------------|--------------|---------------------|--|---|--------------|
| 06-672 | NS103225-02 | | ..NUTPLATE- (V80539) (SPEC BACN10KH3) (OPT RMF9209M3 (V72962)) (OPT F29779-3 (V15653)) | E,F,R ,S,V, W,Z,A C,AL, AN CU-DK | 6 |
| 674 | NAS1195DD3KH | | ..SHIM | E,F,R ,S,V, W,Z,A C,AL, AN CU-DK | 1 |
| 676 | NAS1195DD3KM | | ..SHIM | E,F,R ,S,V, W,Z,A C,AL, AN CU-DK | 4 |
| -678 | 114T3131-1 | | .RIB ASSY-AIR LOAD | E,R,V ,Z,AL ,CU- DB | 1 |
| -680 | 114T3131-2 | | .RIB ASSY-AIR LOAD | F,S,W ,AC,A N,D C-DK | 1 |
| 682 | BACR15BA3AD | | ..RIVET- (SIZE DETERMINE ON INST) | E,F,R ,S,V, W,Z,A C,AL, AN CU-DK | 34 |

57-43-37

 ILLUSTRATED PARTS LIST
 01.1 Page 1092Z
 Jul 01/03

| FIG. & ITEM | PART NO. | AIRLINE PART NUMBER | NOMENCLATURE 1234567 | EFF CODE | QTY PER ASSY |
|-------------|--------------|---------------------|--|---|--------------|
| 06-684 | BACN10JQ32 | | ..NUTPLATE | E,F,R ,S,V, W,Z,A C,AL, AN CU-DK | 10 |
| 686 | BRFM20A3 | | ..NUTPLATE- (V52828) (SPEC BACN10JN3) (OPT MF1000-3BAC (V15653)) (OPT NS103218-02 (V80539)) (OPT RMF9201M3 (V72962)) (OPT VN252A02 (V92215)) (OPT MF1000-3BAC (V15653)) (OPT MF53049-3 (V15653)) | E,F,R ,S,V, W,Z,A C,AL, AN CU-DK | 1 |
| 688 | NS103225-02 | | ..NUTPLATE- (V80539) (SPEC BACN10KH3) (OPT RMF9209M3 (V72962)) (OPT F29779-3 (V15653)) | E,F,R ,S,V, W,Z,A C,AL, AN CU-DK | 6 |
| 690 | NAS1195DD3KH | | ..SHIM | E,F,R ,S,V, W,Z,A C,AL, AN CU-DK | 1 |

57-43-37

| FIG. & ITEM | PART NO. | AIRLINE PART NUMBER | NOMENCLATURE 1234567 | EFF CODE | QTY PER ASSY |
|-------------|----------------|---------------------|--|---|--------------|
| 06-692 | NAS1195DD3KM | | ..SHIM | E,F,R ,S,V, W,Z,A C,AL, AN CU-DK | 4 |
| -694 | 114T3186-1 | | .RIB ASSY-END | E,R,V ,Z,AL ,CU- DB | 1 |
| -696 | 114T3186-2 | | .RIB ASSY-END | F,S,W ,AC,A N,D C-DK | 1 |
| 698 | BACR15BA3AD | | ..RIVET- (SIZE DETERMINE ON INST) | E,F,R ,S,V, W,Z,A C,AL, AN CU-DK | 26 |
| 699 | MF19058-3-2BAC | | ..NUTPLATE- (V15653) (SPEC BACN10YF32) | E,F,R ,S,V, W,Z,A C,AL, AN CU-DK | 4 |
| 700 | BRFM20A3 | | ..NUTPLATE- (V52828) (SPEC BACN10JN3) (OPT MF1000-3BAC (V15653)) (OPT NS103218-02 (V80539)) (OPT RMF9201M3 (V72962)) (OPT VN252A02 (V92215)) (OPT MF1000-3BAC (V15653)) (OPT MF53049-3 (V15653)) | E,F,R ,S,V, W,Z,A C,AL, AN CU-DK | 1 |

57-43-37

 ILLUSTRATED PARTS LIST
 01.1 Page 1094
 Jul 01/03

| FIG. & ITEM | PART NO. | AIRLINE PART NUMBER | NOMENCLATURE 1234567 | EFF CODE | QTY PER ASSY |
|-------------|--------------|---------------------|---|---|--------------|
| 06-702 | T8124S4S | | ..NUTPLATE- (V71087) (SPEC BACN10JN4) (OPT MF1000-4BAC (V15653)) (OPT NS103218-048 (V80539)) (OPT RMF9201M4 (V72962)) (OPT VN252A048 (V92215)) (OPT VN252A048 (V92215)) (OPT T8124S4S (V11815)) | E,F,R ,S,V, W,Z,A C,AL, AN CU-DK | 3 |
| 704 | NS103225-02 | | ..NUTPLATE- (V80539) (SPEC BACN10KH3) (OPT RMF9209M3 (V72962)) (OPT F29779-3 (V15653)) | E,F,R ,S,V, W,Z,A C,AL, AN CU-DK | 5 |
| 706 | NAS1195DD3KH | | ..SHIM | E,F,R ,S,V, W,Z,A C,AL, AN CU-DK | 1 |
| 708 | NAS1195DD3KM | | ..SHIM | E,F,R ,S,V, W,Z,A C,AL, AN CU-DK | 4 |
| -710 | 114T3130-1 | | .RIB ASSY-END | E,R,V ,Z,AL ,CU- DB | 1 |
| -712 | 114T3130-2 | | .RIB ASSY-END | F,S,W ,AC,A N,D C-DK | 1 |

57-43-37

| FIG. & ITEM | PART NO. | AIRLINE PART NUMBER | NOMENCLATURE 1234567 | EFF CODE | QTY PER ASSY |
|-------------|-------------|---------------------|--|---|--------------|
| 06-714 | BACR15BA3AD | | ..RIVET- (SIZE DETERMINE ON INST) | E,F,R ,S,V, W,Z,A C,AL, AN CU-DK | 38 |
| 716 | BACN10JQ32 | | ..NUTPLATE | E,F,R ,S,V, W,Z,A C,AL, AN CU-DK | 10 |
| 718 | BRFM20A3 | | ..NUTPLATE- (V52828) (SPEC BACN10JN3) (OPT MF1000-3BAC (V15653)) (OPT NS103218-02 (V80539)) (OPT RMF9201M3 (V72962)) (OPT VN252A02 (V92215)) (OPT MF1000-3BAC (V15653)) (OPT MF53049-3 (V15653)) | E,F,R ,S,V, W,Z,A C,AL, AN CU-DK | 1 |
| 720 | NS103225-02 | | ..NUTPLATE- (V80539) (SPEC BACN10KH3) (OPT RMF9209M3 (V72962)) (OPT F29779-3 (V15653)) | E,F,R ,S,V, W,Z,A C,AL, AN CU-DK | 8 |

57-43-37

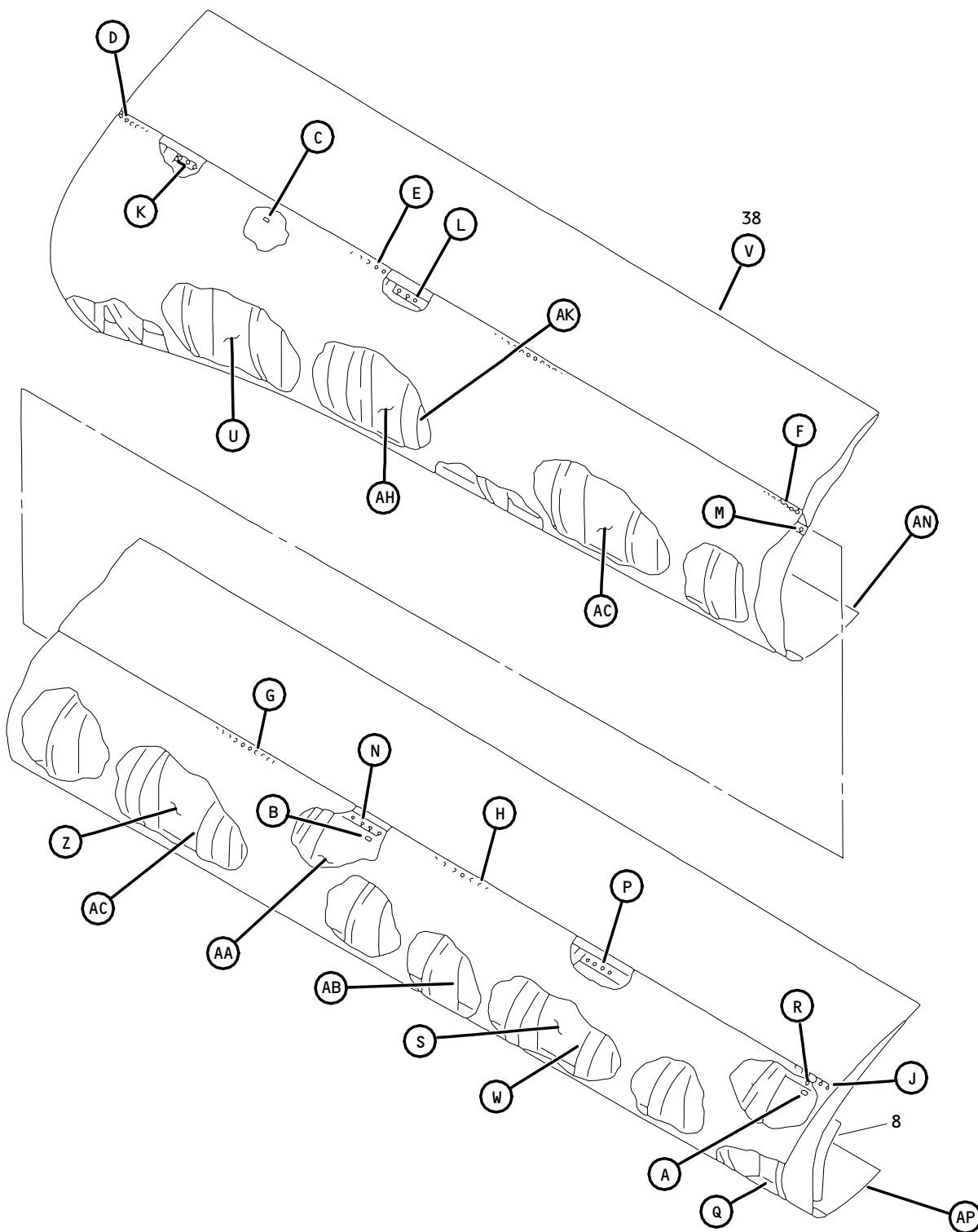
 ILLUSTRATED PARTS LIST
 01.1 Page 1094B
 Jul 01/03

| FIG. & ITEM | PART NO. | AIRLINE PART NUMBER | NOMENCLATURE 1234567 | EFF CODE | QTY PER ASSY |
|-------------|--------------|---------------------|-------------------------------------|---|--------------|
| 06-722 | NAS1195DD3KH | | ..SHIM | E,F,R ,S,V, W,Z,A C,AL, AN CU-DK | 1 |
| 724 | NAS1195DD3KM | | ..SHIM | E,F,R ,S,V, W,Z,A C,AL, AN CU-DK | 6 |
| 726 | BACR15BB3AD | | .RIVET- (SIZE DETERMINE ON INST) | E,F,R ,S,V, W,Z,A C,AL, AN CU-DK | 4 |
| 728 | MS27253-1 | | .PLATE | E,F,R ,S,V, W,Z,A C,AL, AN CU-DK | 1 |

- Item Not Illustrated

57-43-37

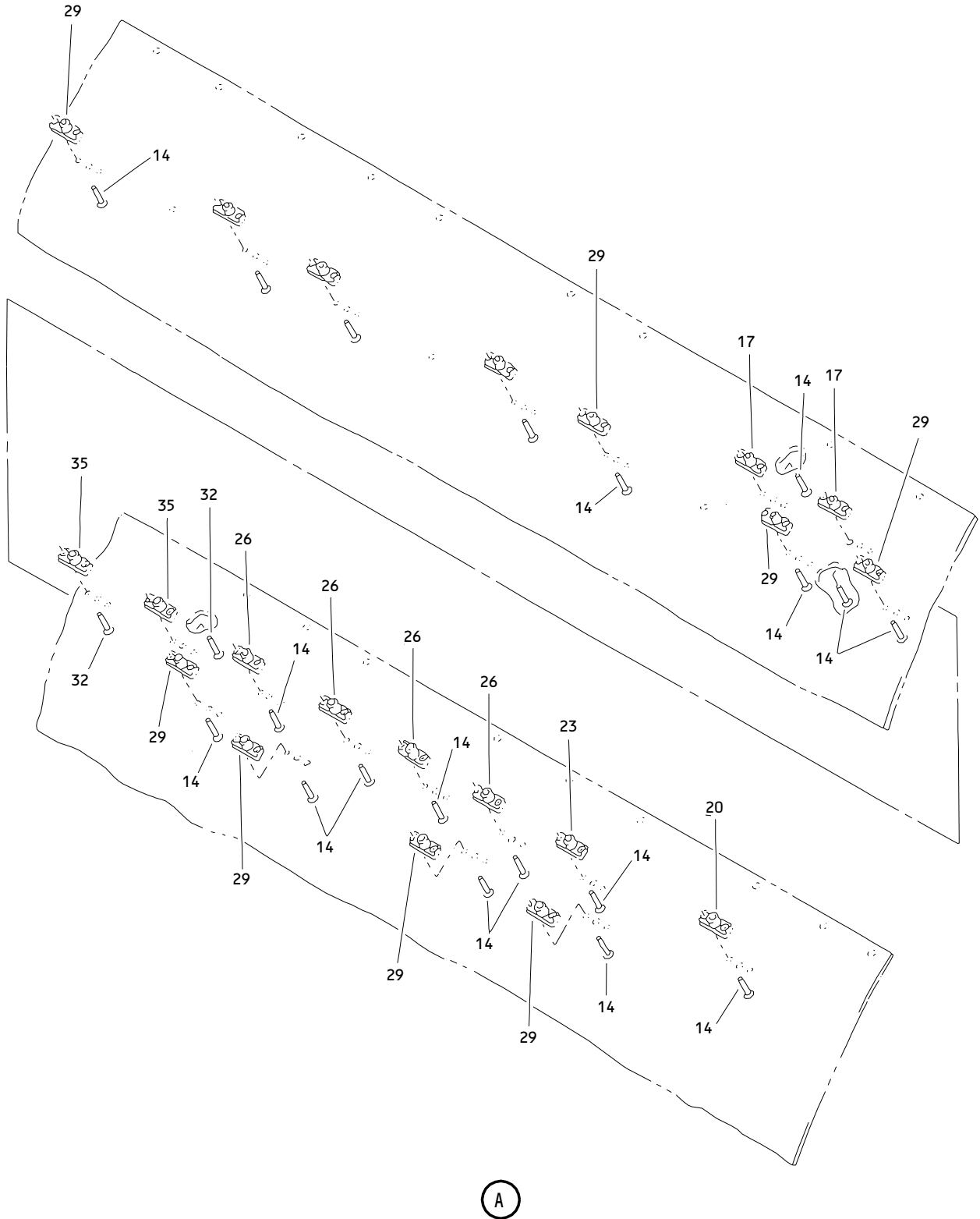
ILLUSTRATED PARTS LIST
 01.1 Page 1094C
 Jul 01/03



Inboard Slat No. 6 and 7 Wing Leading Edge Structure Assembly
 Figure 7 (Sheet 1)

57-43-37

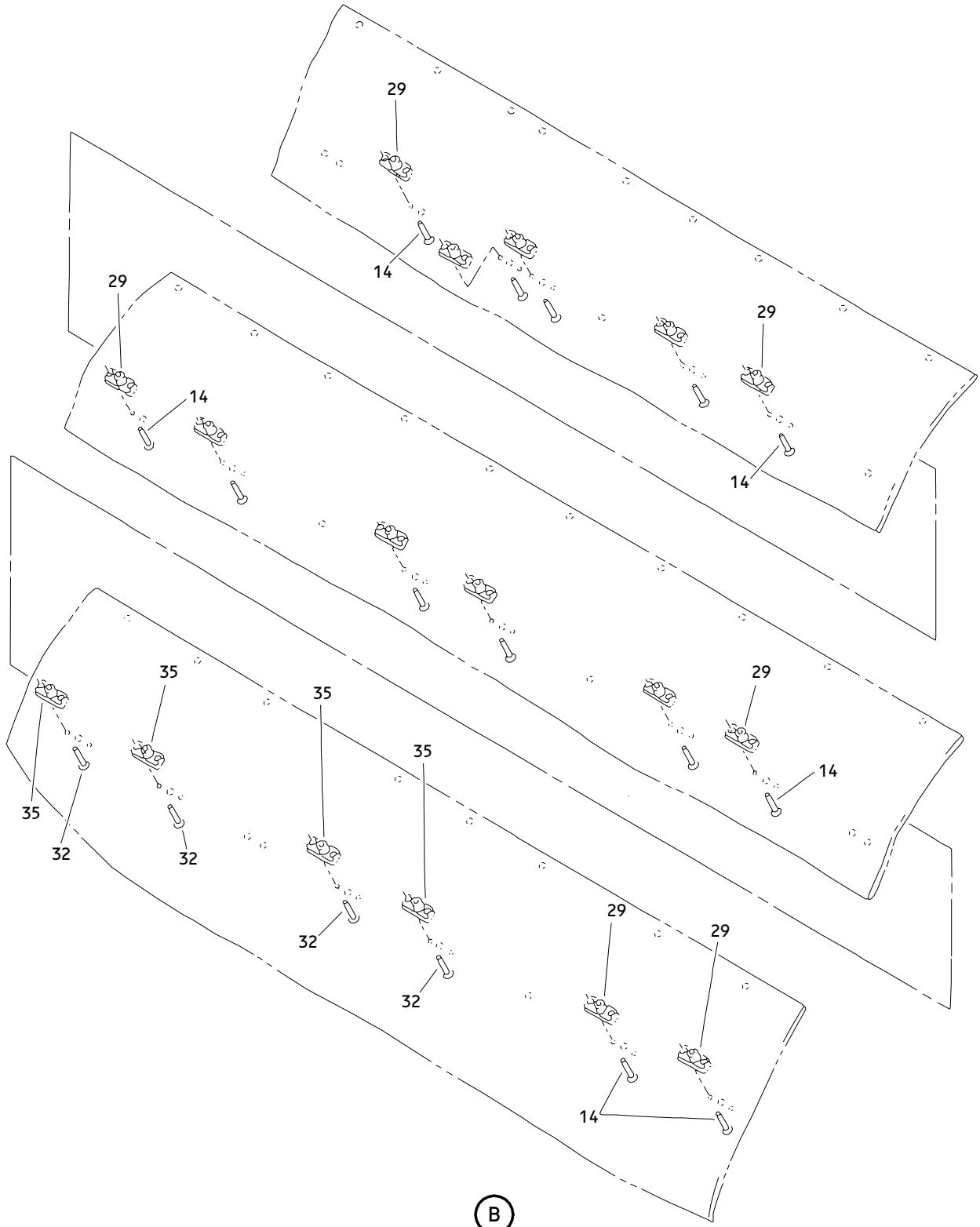
ILLUSTRATED PARTS LIST
 01.1 Page 1094D
 Jul 01/03



Inboard Slat No. 6 and 7 Wing Leading Edge Structure Assembly
Figure 7 (Sheet 2)

57-43-37

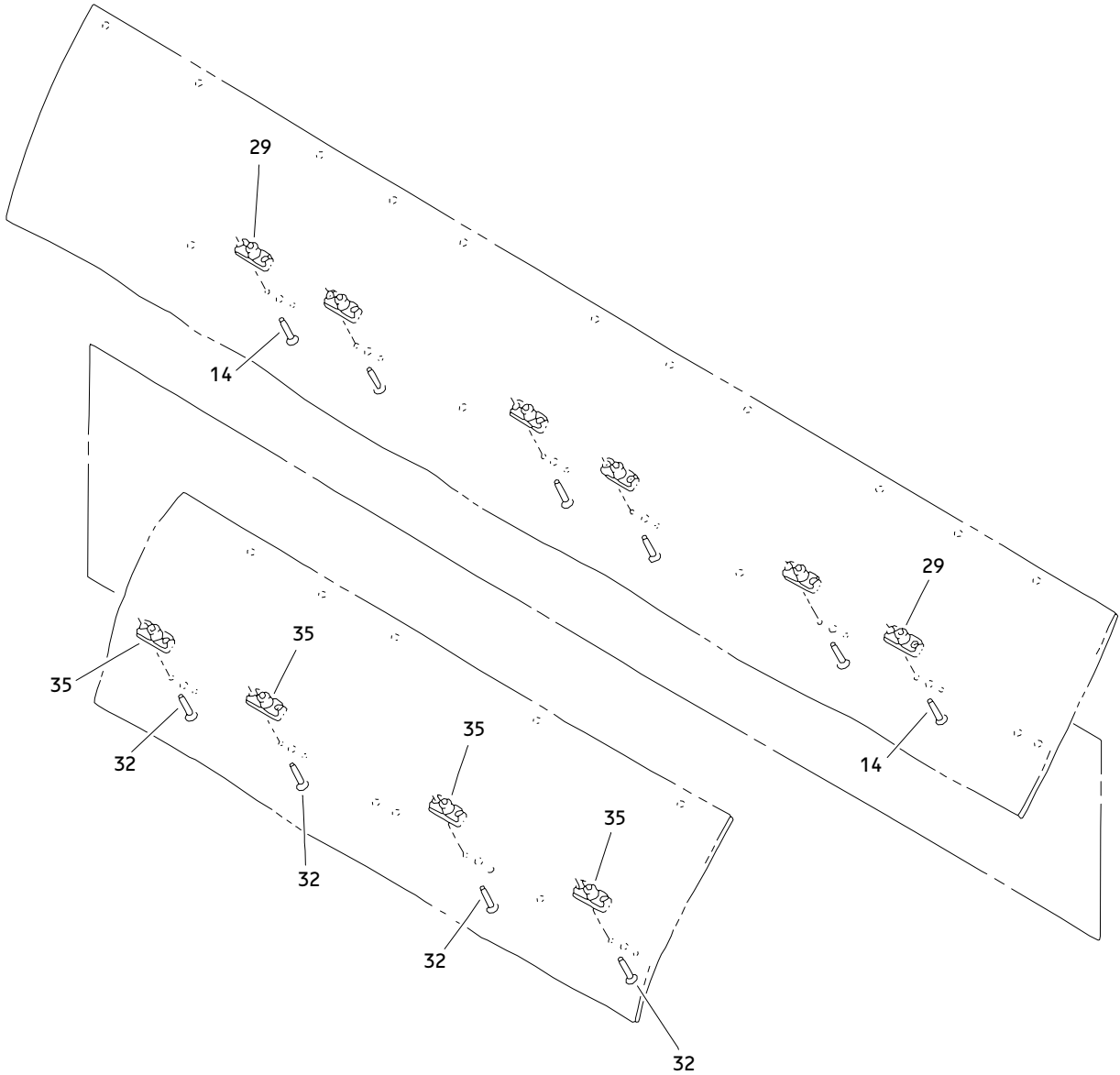
ILLUSTRATED PARTS LIST
01.1 Page 1094E
Jul 01/03



Inboard Slat No. 6 and 7 Wing Leading Edge Structure Assembly
Figure 7 (Sheet 3)

57-43-37

ILLUSTRATED PARTS LIST
01.1 Page 1094F
Jul 01/03

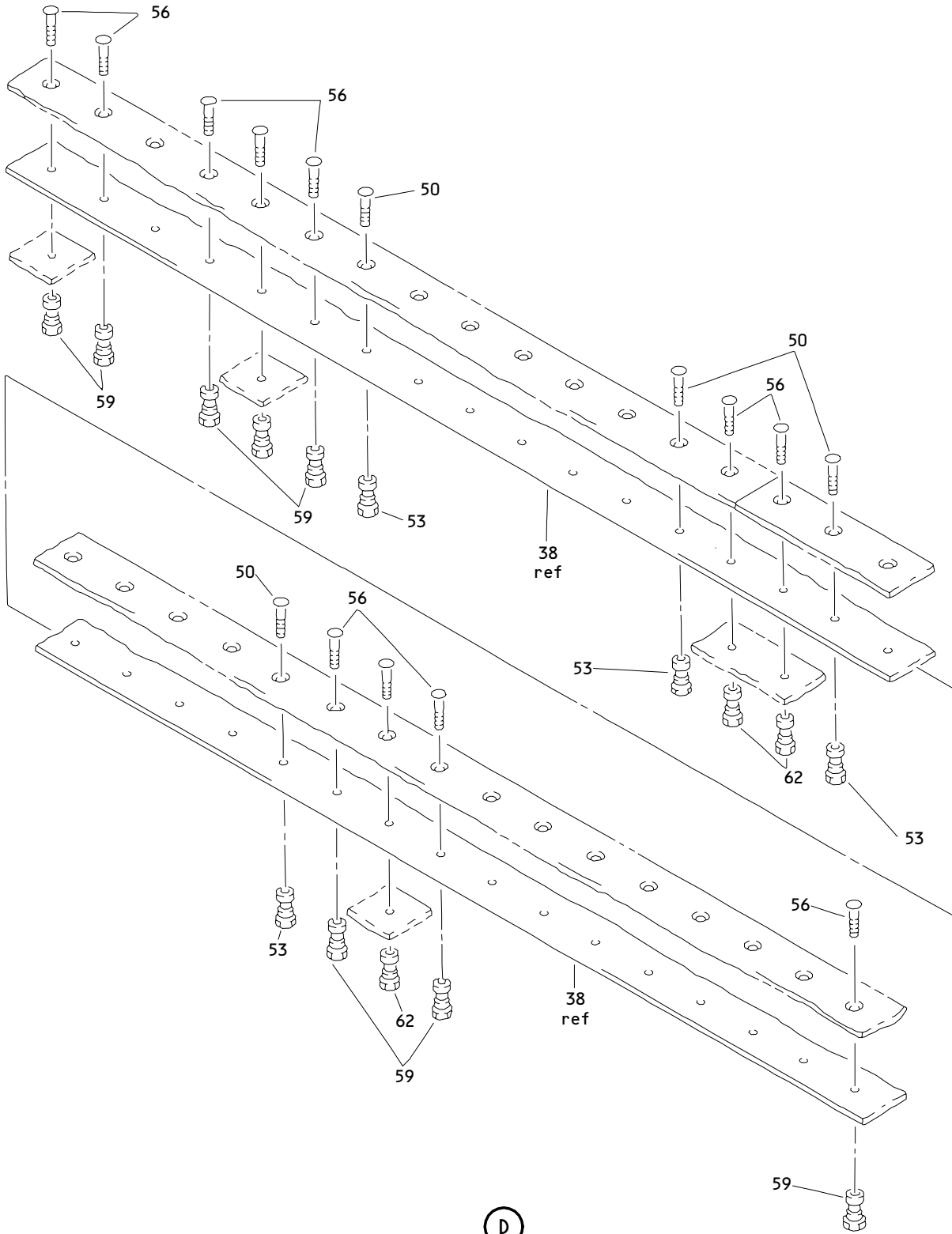


(C)

Inboard Slat No. 6 and 7 Wing Leading Edge Structure Assembly
Figure 7 (Sheet 4)

57-43-37

ILLUSTRATED PARTS LIST
01.1 Page 1094G
Jul 01/03

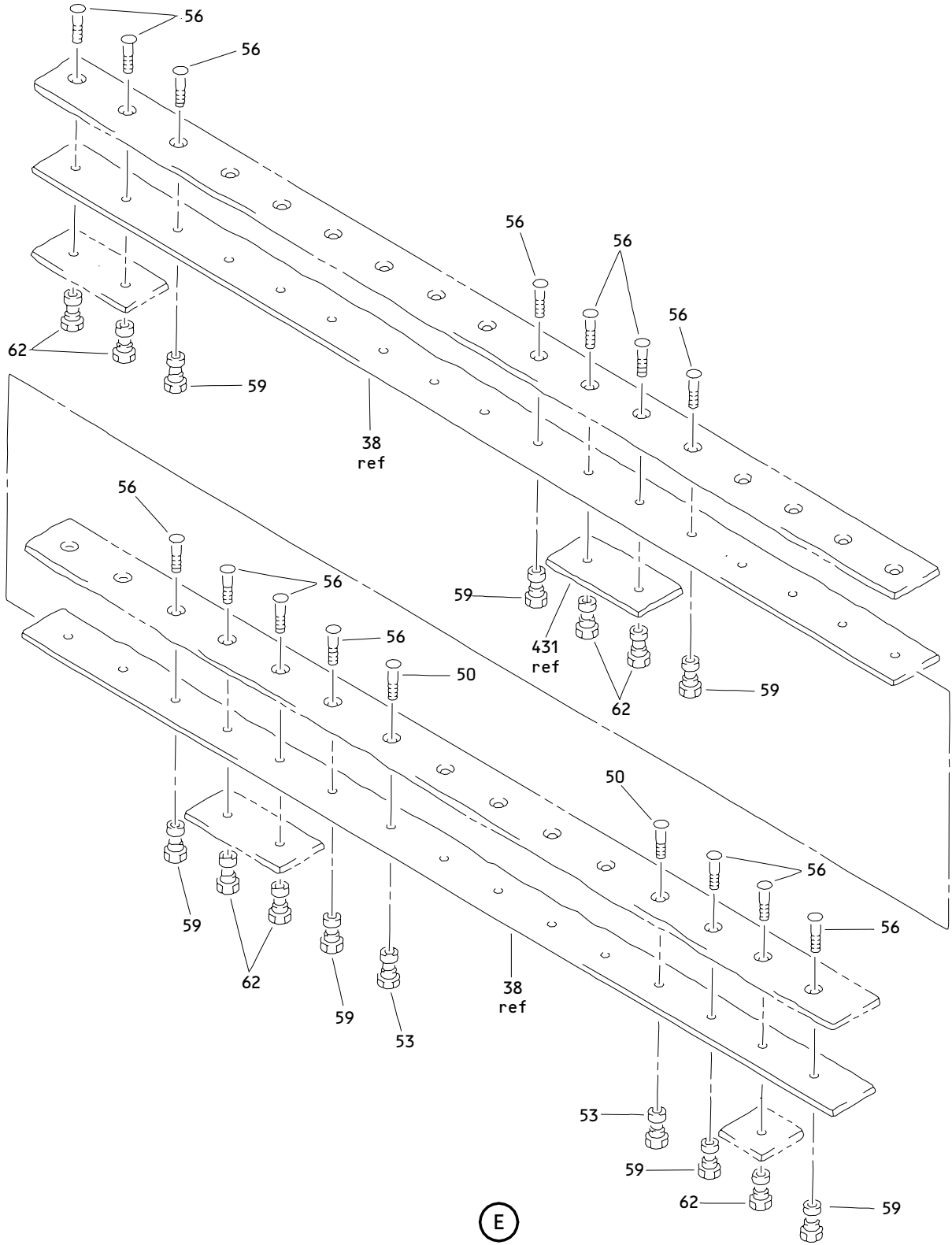


D

Inboard Slat No. 6 and 7 Wing Leading Edge Structure Assembly
Figure 7 (Sheet 5)

57-43-37

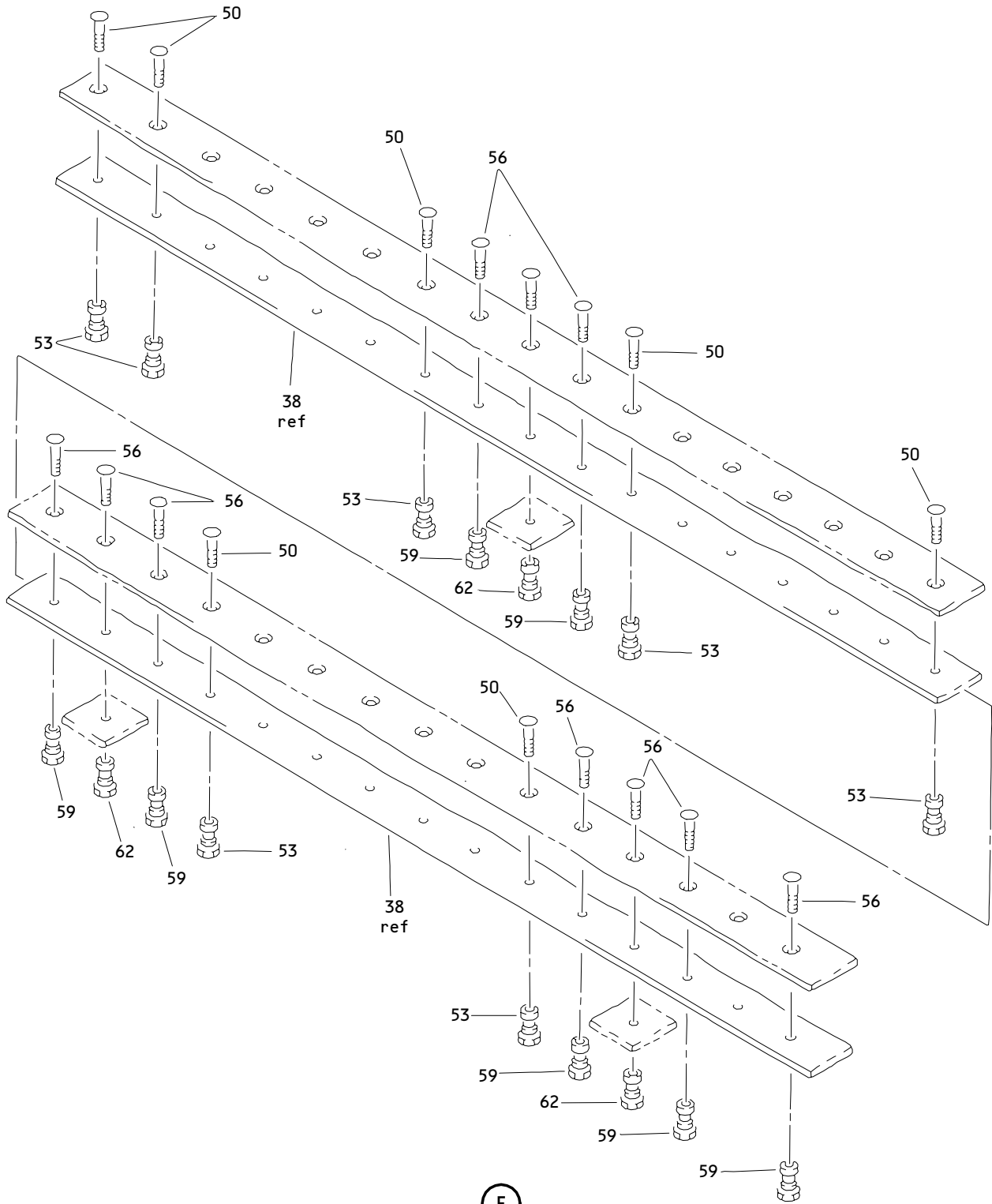
ILLUSTRATED PARTS LIST
01.1 Page 1094H
Jul 01/03



Inboard Slat No. 6 and 7 Wing Leading Edge Structure Assembly
Figure 7 (Sheet 6)

57-43-37

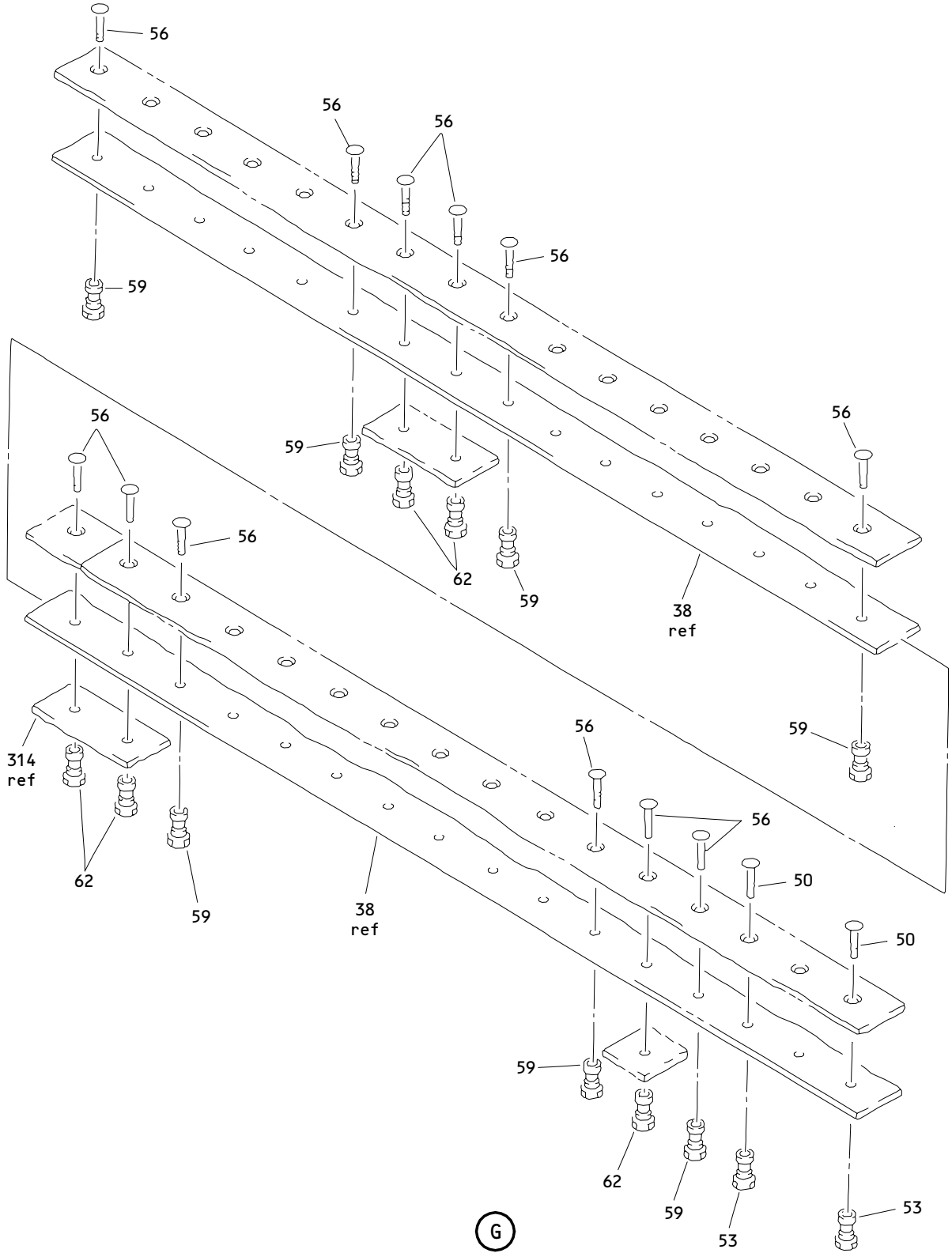
ILLUSTRATED PARTS LIST
01.1 Page 1094I
Jul 01/03



Inboard Slat No. 6 and 7 Wing Leading Edge Structure Assembly
Figure 7 (Sheet 7)

57-43-37

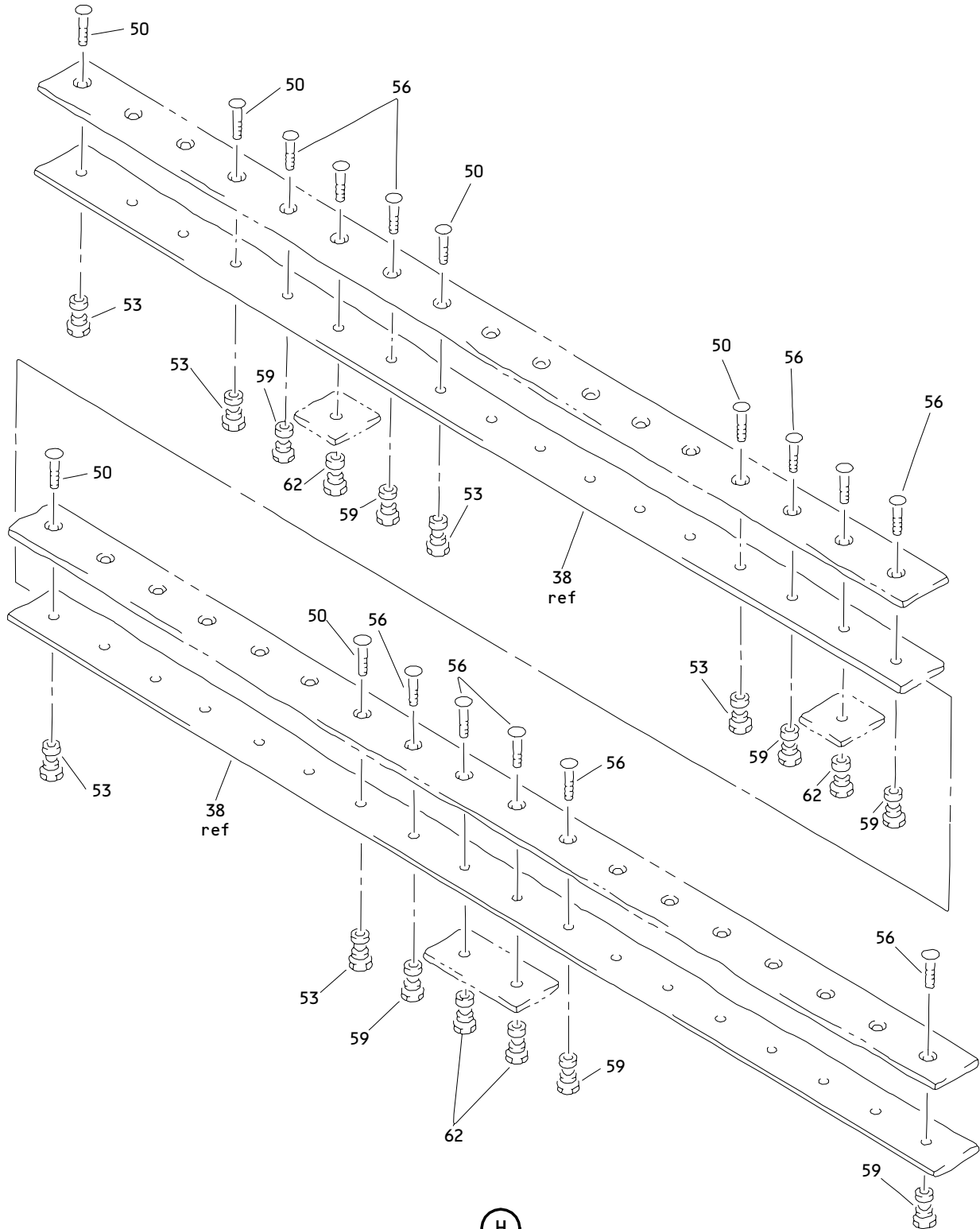
ILLUSTRATED PARTS LIST
01.1 Page 1094J
Jul 01/03



Inboard Slat No. 6 and 7 Wing Leading Edge Structure Assembly
Figure 7 (Sheet 8)

57-43-37

ILLUSTRATED PARTS LIST
01.1 Page 1094K
Jul 01/03



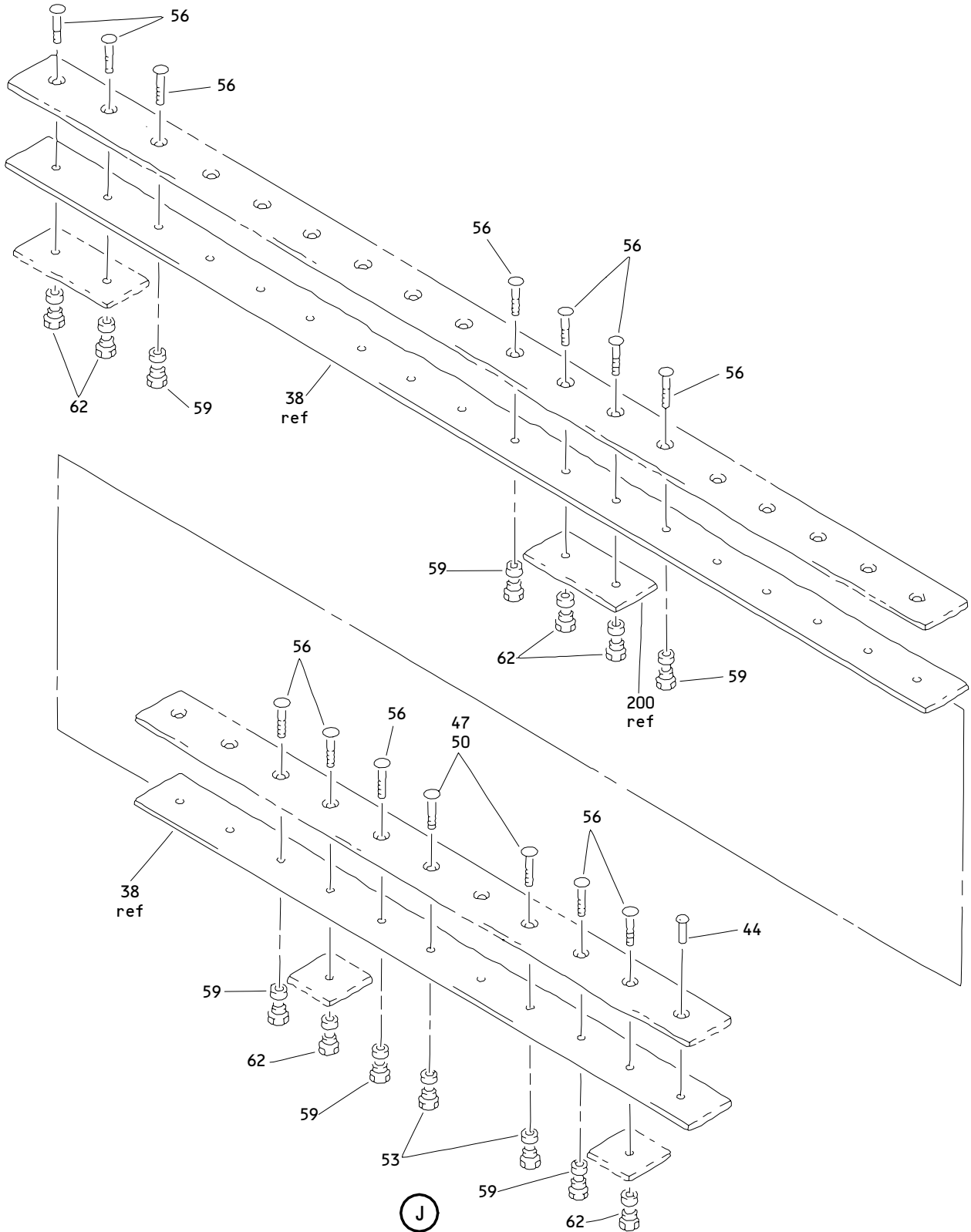
Inboard Slat No. 6 and 7 Wing Leading Edge Structure Assembly
 Figure 7 (Sheet 9)

57-43-37

ILLUSTRATED PARTS LIST
 01.1 Page 1094L
 Jul 01/03

015T0165
015T1507
114T3100
DASH NUMBERS LIMITED

BOEING
COMPONENT
MAINTENANCE MANUAL

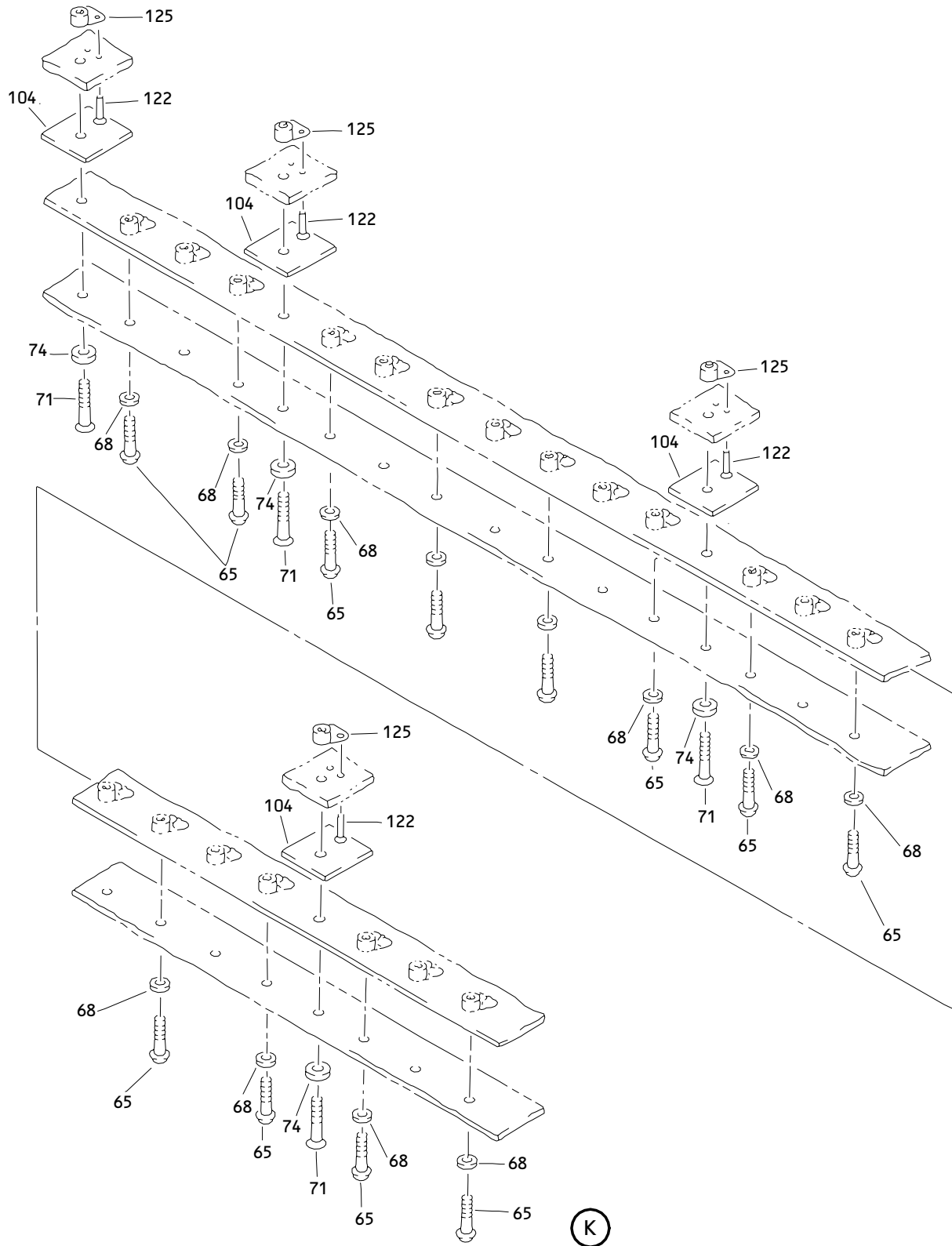


Inboard Slat No. 6 and 7 Wing Leading Edge Structure Assembly
Figure 7 (Sheet 10)

57-43-37

ILLUSTRATED PARTS LIST
01.1 Page 1094M
Jul 01/03

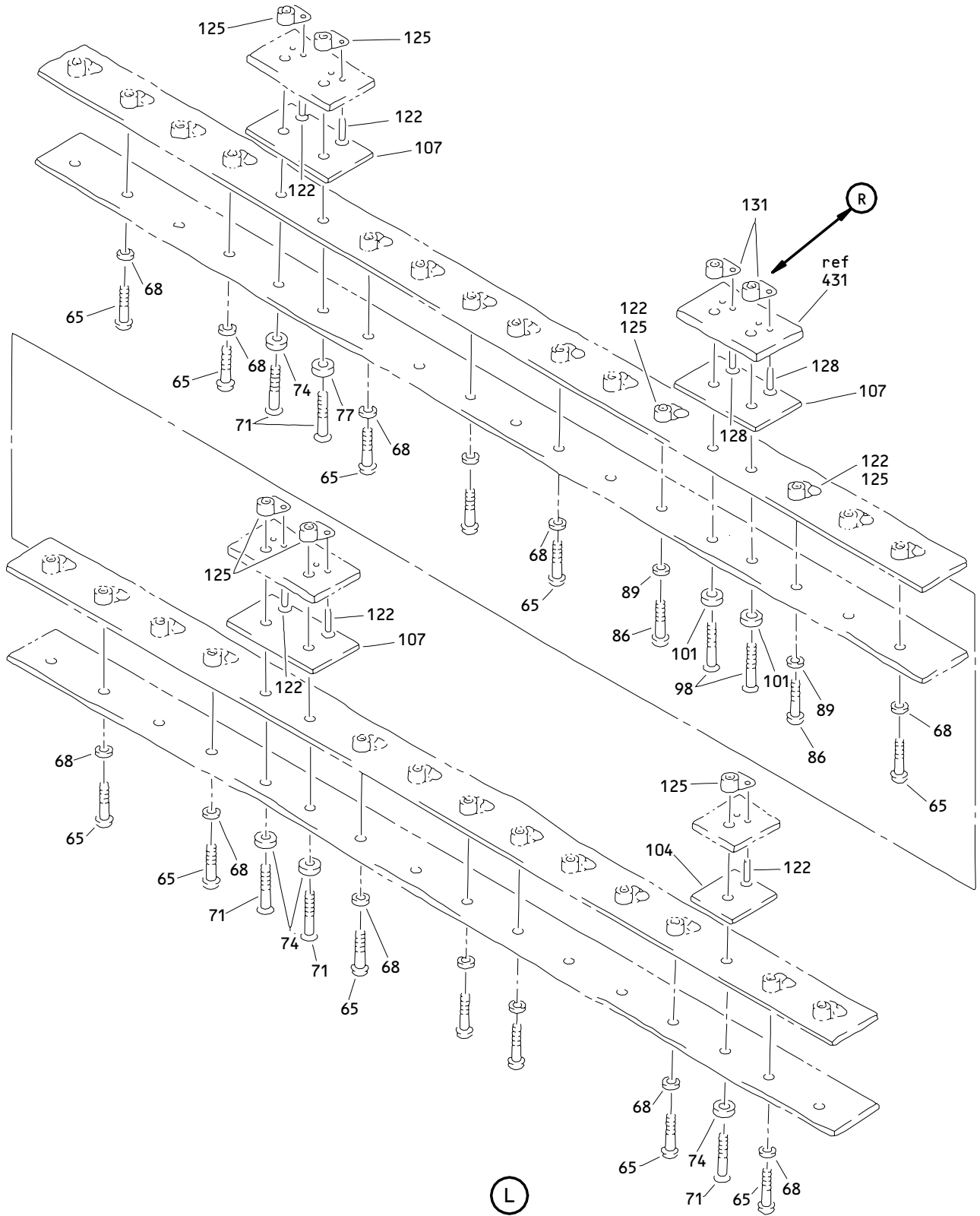
881271



Inboard Slat No. 6 and 7 Wing Leading Edge Structure Assembly
 Figure 7 (Sheet 11)

57-43-37

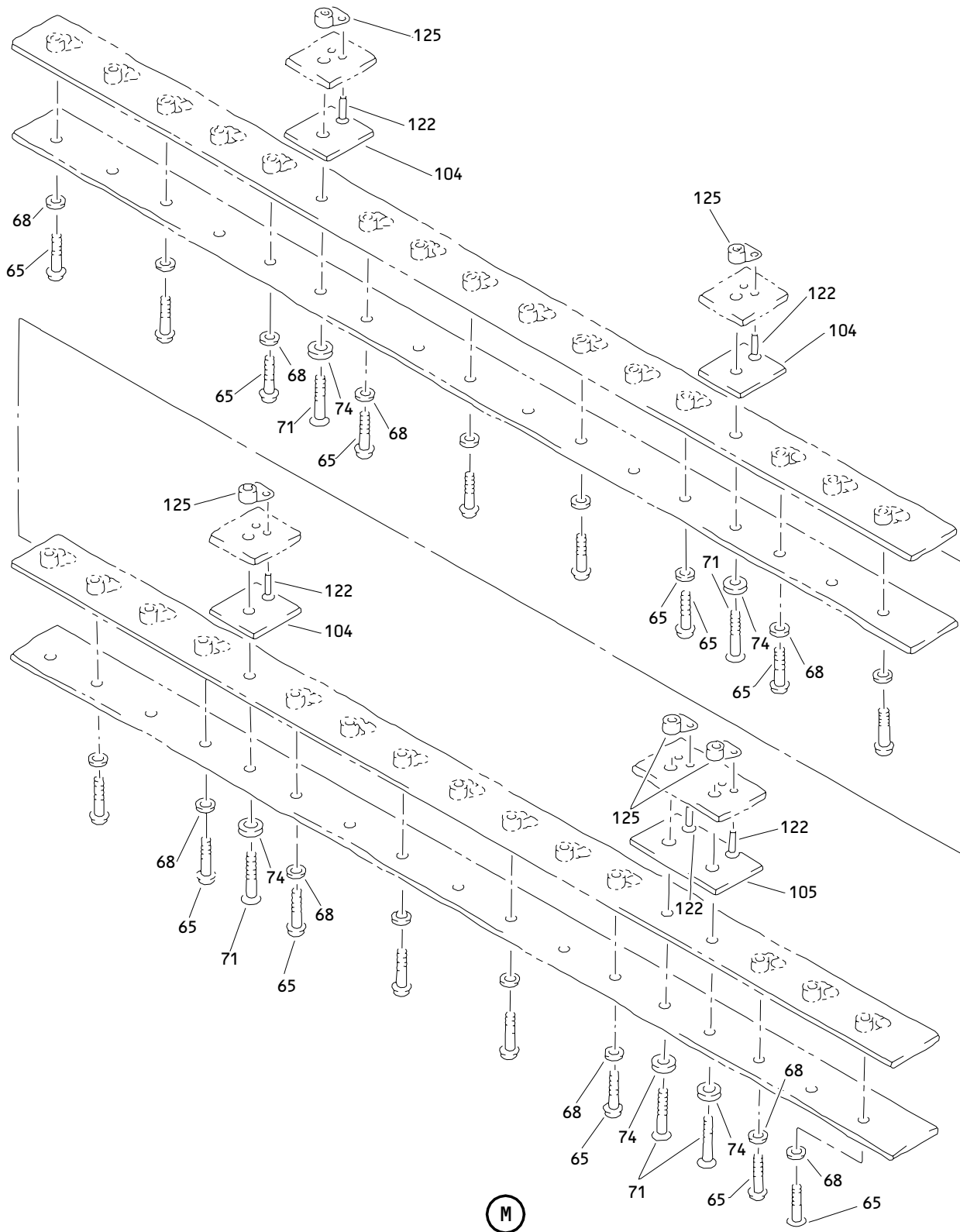
ILLUSTRATED PARTS LIST
 01.1 Page 1094N
 Jul 01/03



Inboard Slat No. 6 and 7 Wing Leading Edge Structure Assembly
Figure 7 (Sheet 12)

57-43-37

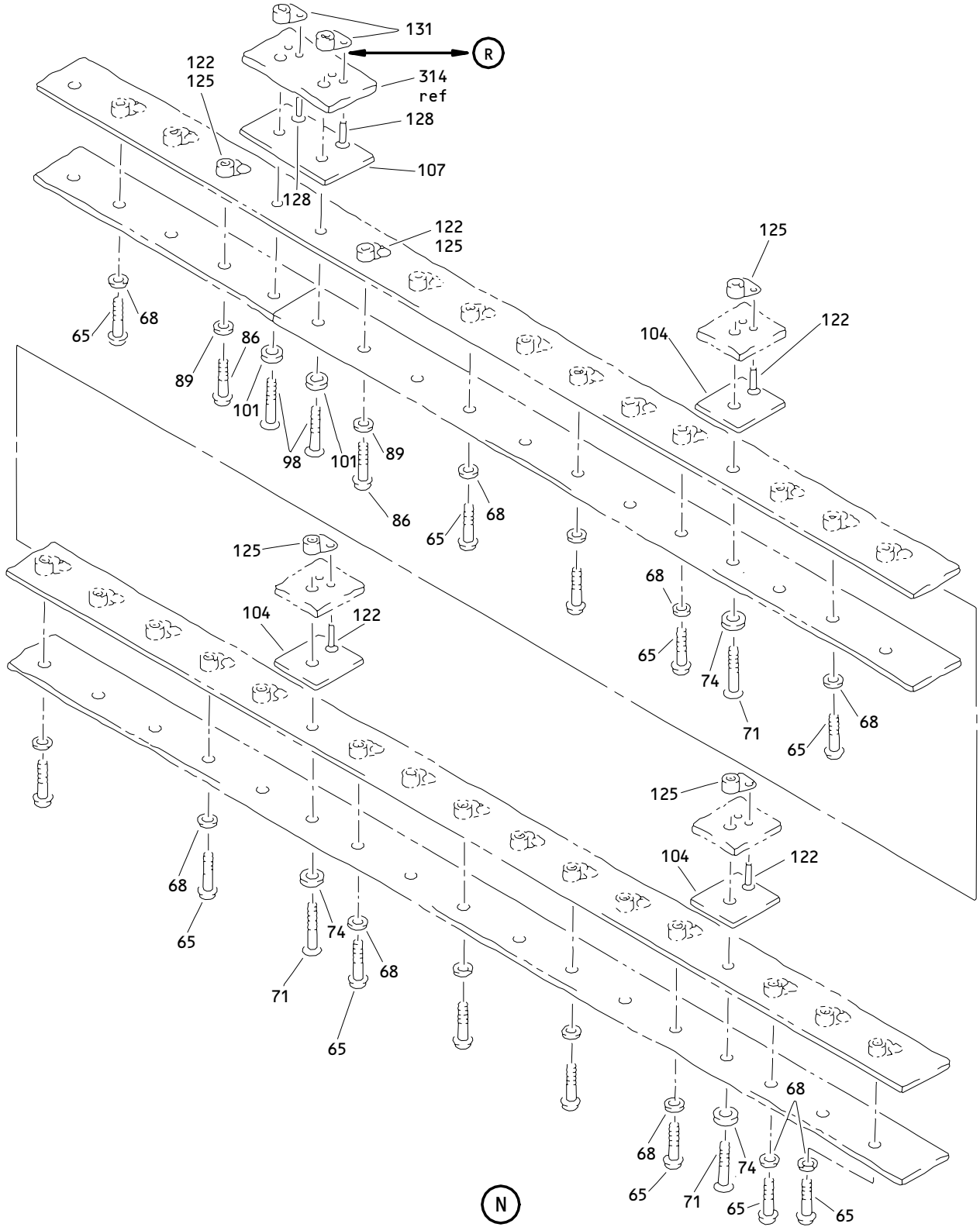
ILLUSTRATED PARTS LIST
01.1 Page 10940
Jul 01/03



Inboard Slat No. 6 and 7 Wing Leading Edge Structure Assembly
 Figure 7 (Sheet 13)

57-43-37

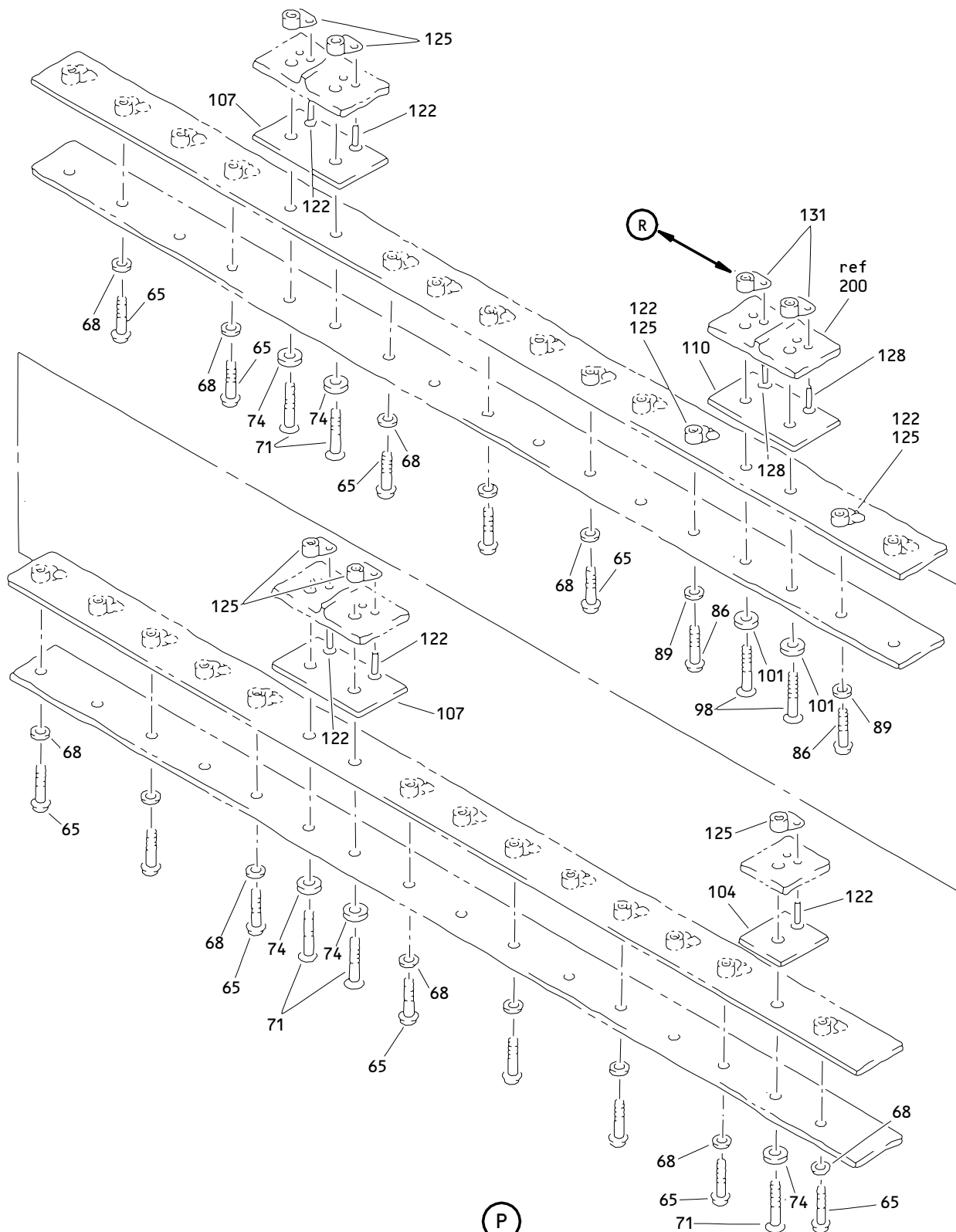
ILLUSTRATED PARTS LIST
 01.1 Page 1094P
 Jul 01/03



Inboard Slat No. 6 and 7 Wing Leading Edge Structure Assembly
Figure 7 (Sheet 14)

57-43-37

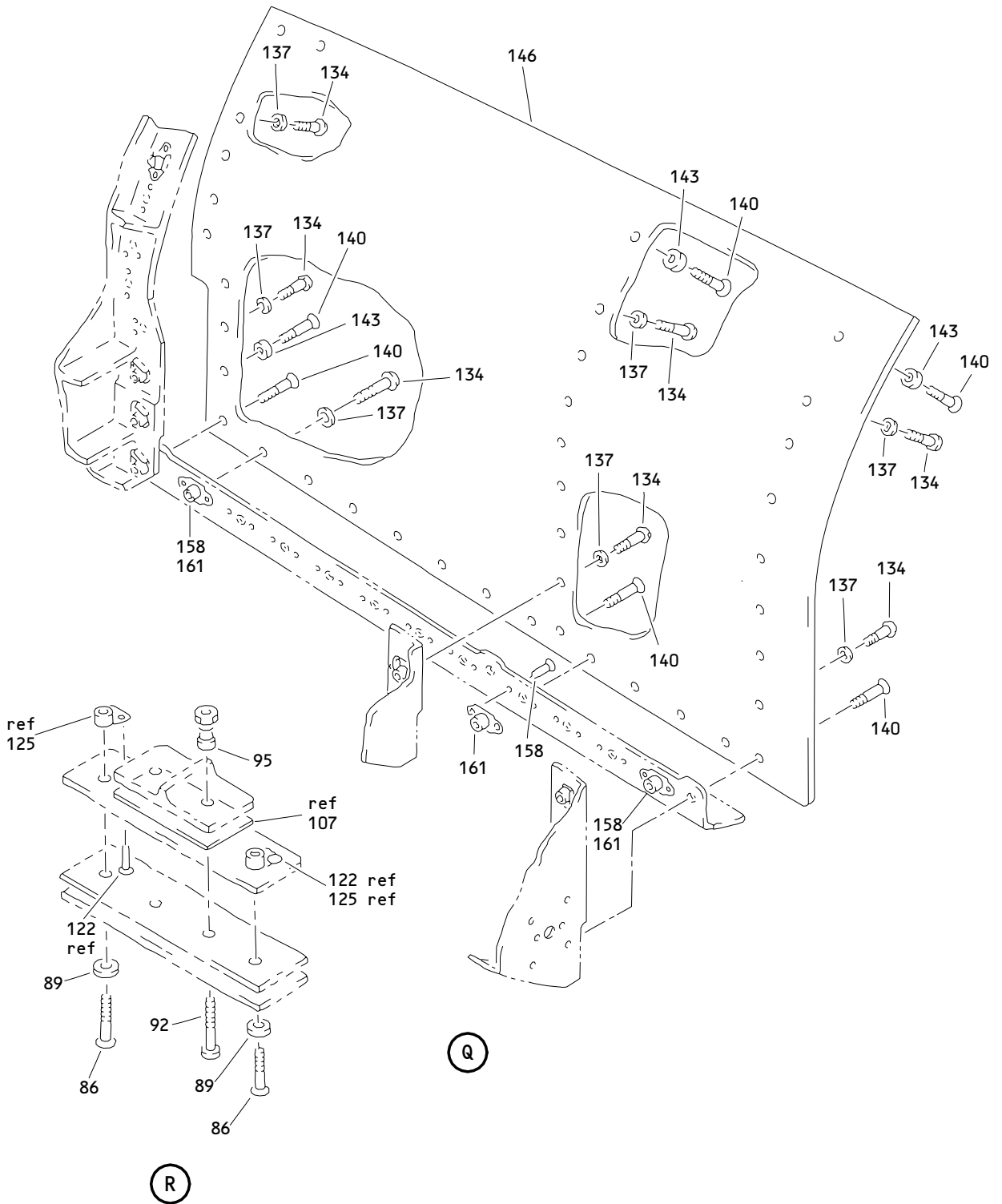
ILLUSTRATED PARTS LIST
01.1 Page 1094Q
Jul 01/03



Inboard Slat No. 6 and 7 Wing Leading Edge Structure Assembly
 Figure 7 (Sheet 15)

57-43-37

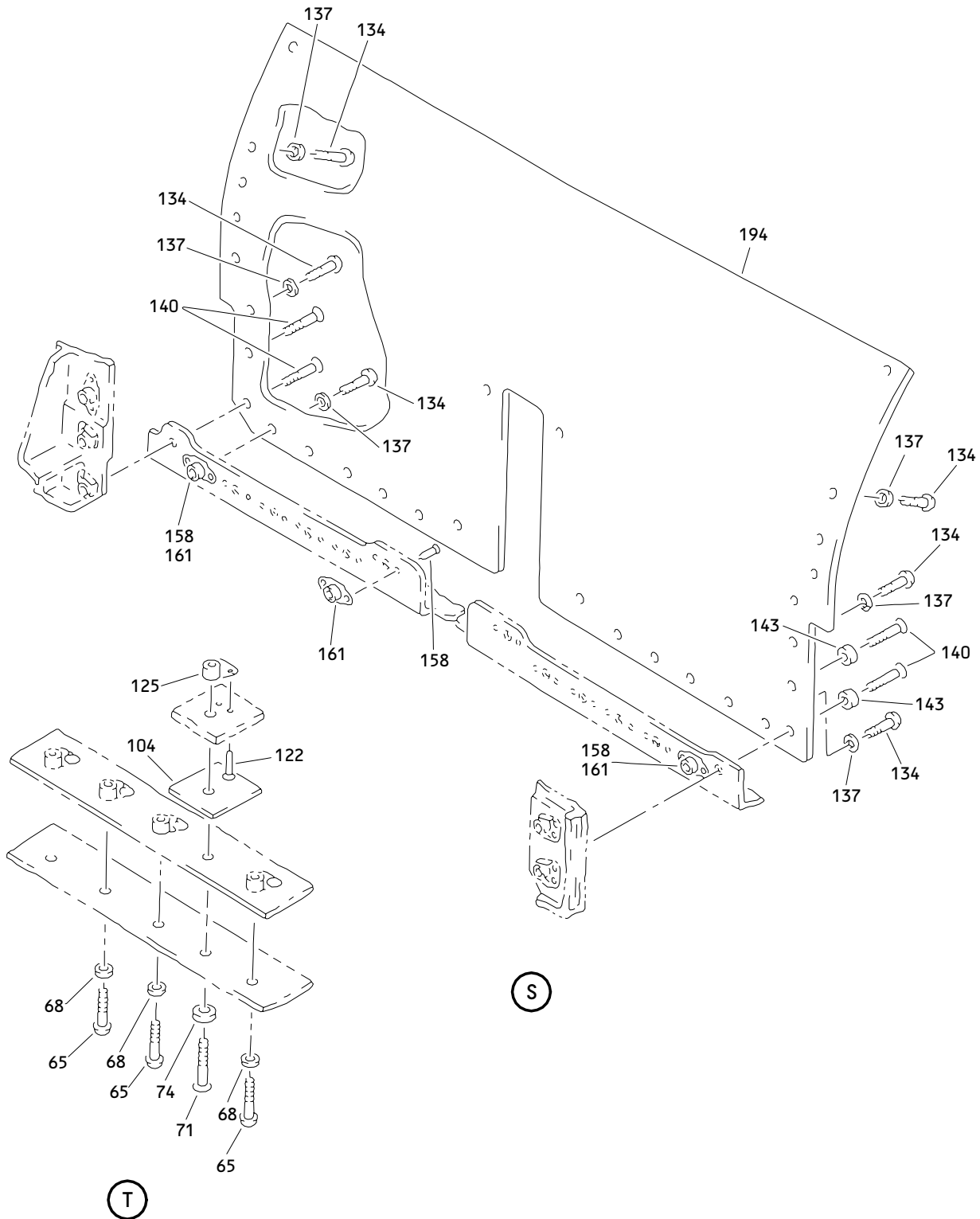
ILLUSTRATED PARTS LIST
 01.1 Page 1094R
 Jul 01/03



Inboard Slat No. 6 and 7 Wing Leading Edge Structure Assembly
Figure 7 (Sheet 16)

57-43-37

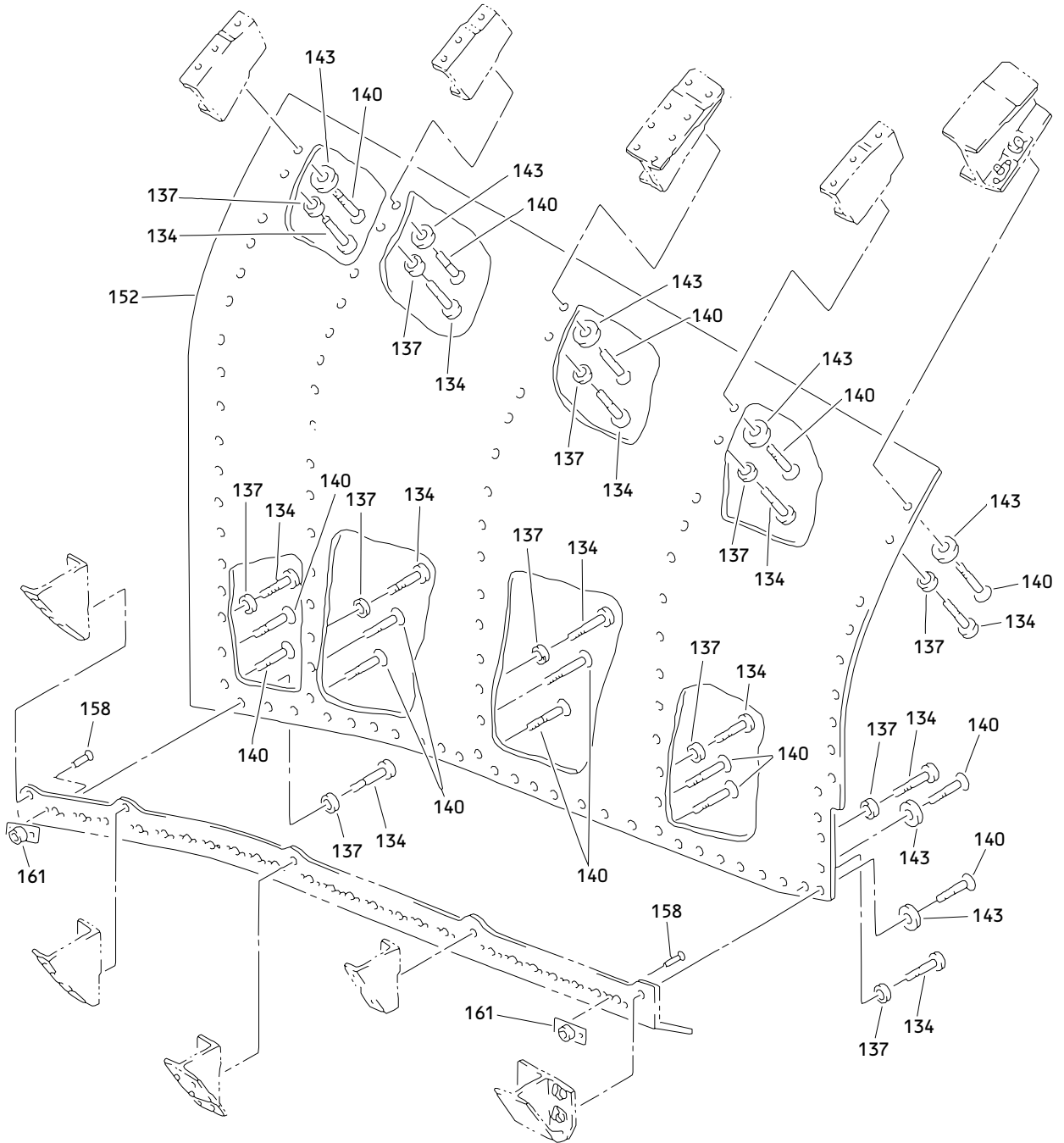
ILLUSTRATED PARTS LIST
01.1 Page 1094S
Jul 01/03



Inboard Slat No. 6 and 7 Wing Leading Edge Structure Assembly
 Figure 7 (Sheet 17)

57-43-37

ILLUSTRATED PARTS LIST
 01.1 Page 1094T
 Jul 01/03

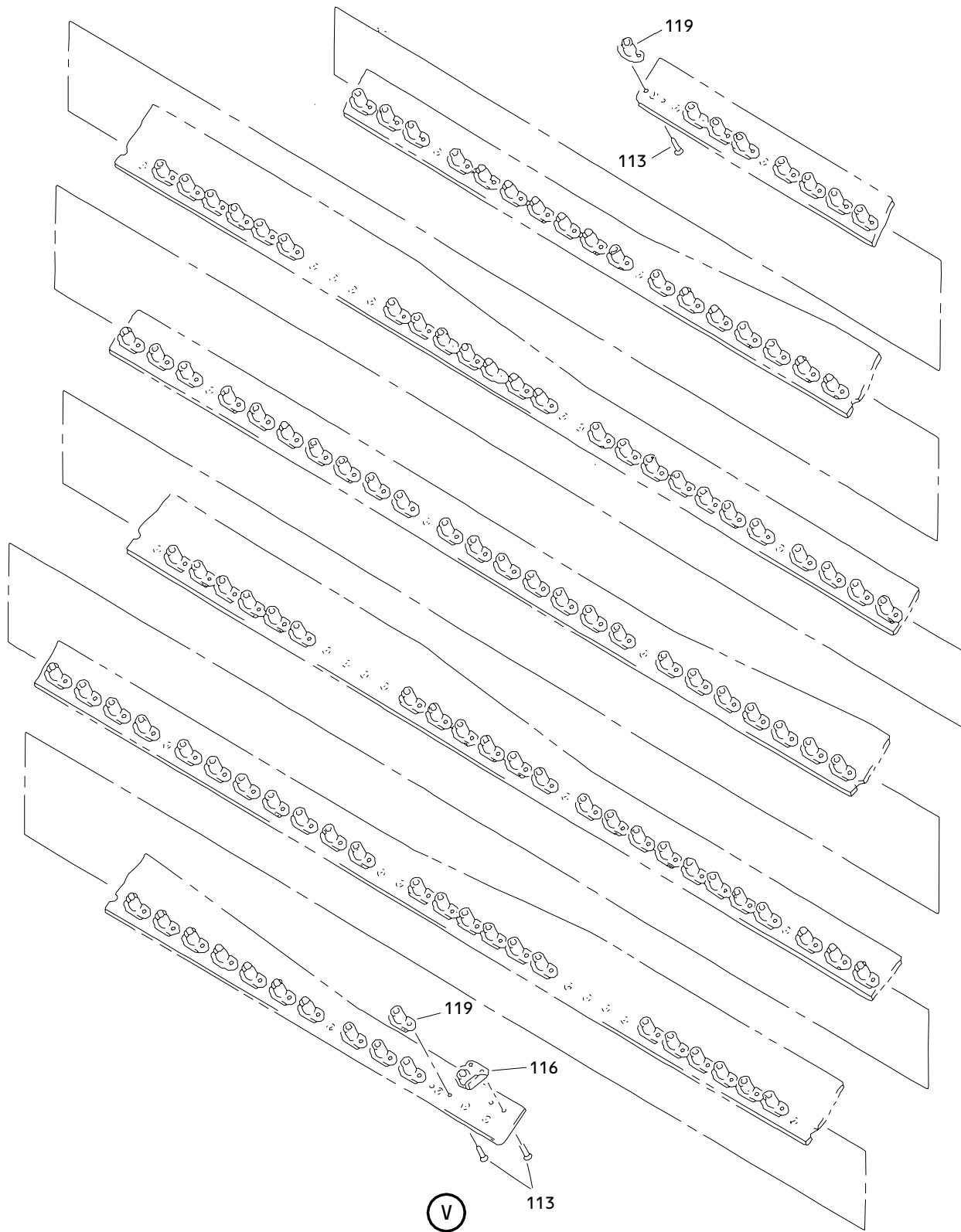


U

Inboard Slat No. 6 and 7 Wing Leading Edge Structure Assembly
Figure 7 (Sheet 18)

57-43-37

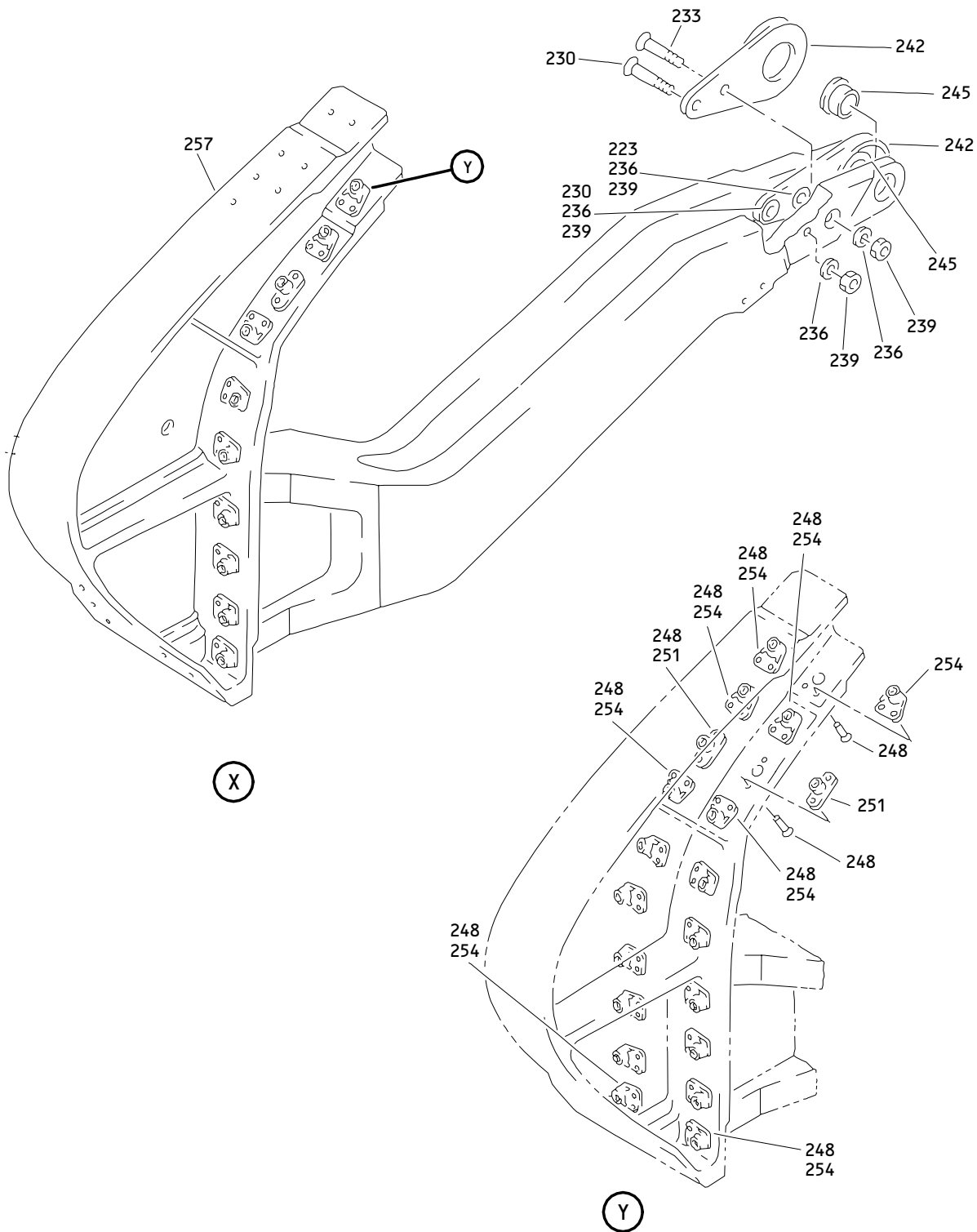
ILLUSTRATED PARTS LIST
01.1 Page 1094U
Jul 01/03



Inboard Slat No. 6 and 7 Wing Leading Edge Structure Assembly
Figure 7 (Sheet 19)

57-43-37

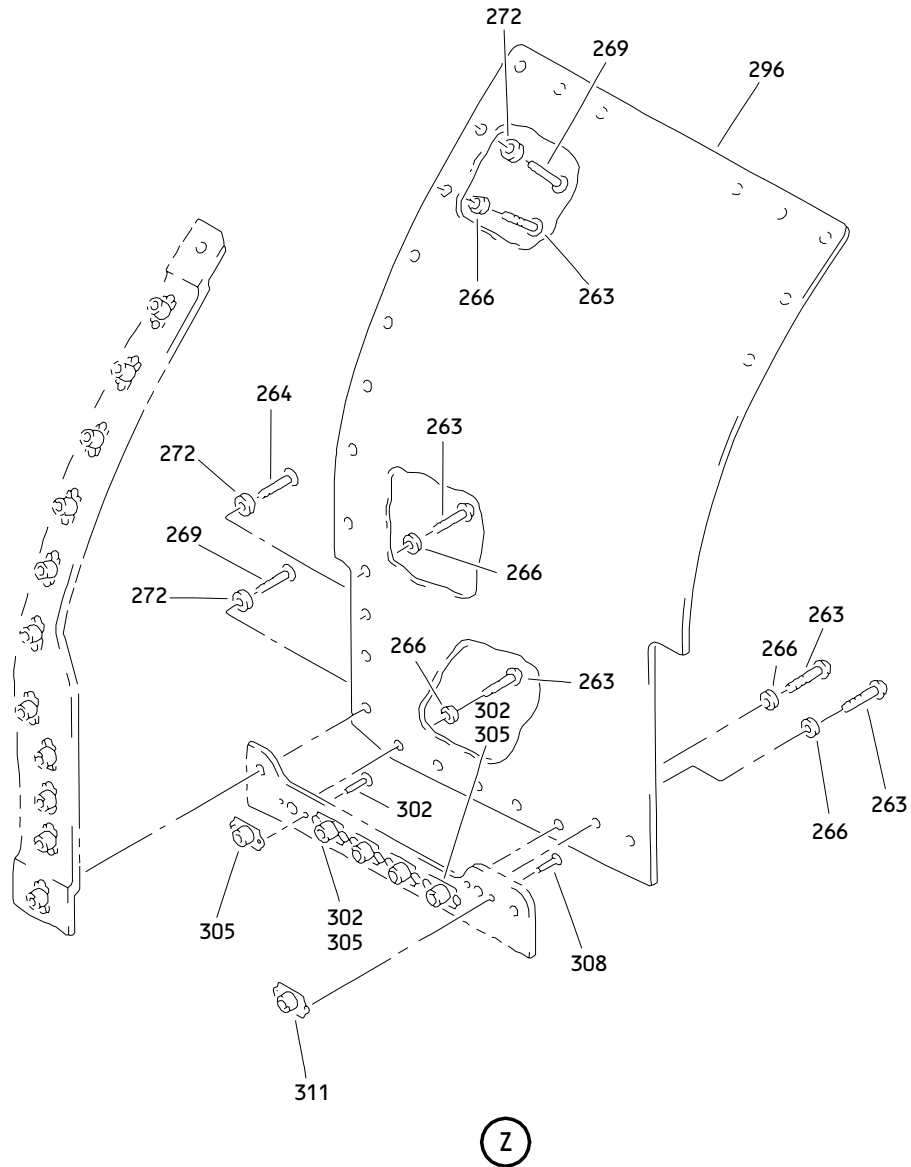
ILLUSTRATED PARTS LIST
01.1 Page 1094V
Jul 01/03



Inboard Slat No. 6 and 7 Wing Leading Edge Structure Assembly
 Figure 7 (Sheet 21)

57-43-37

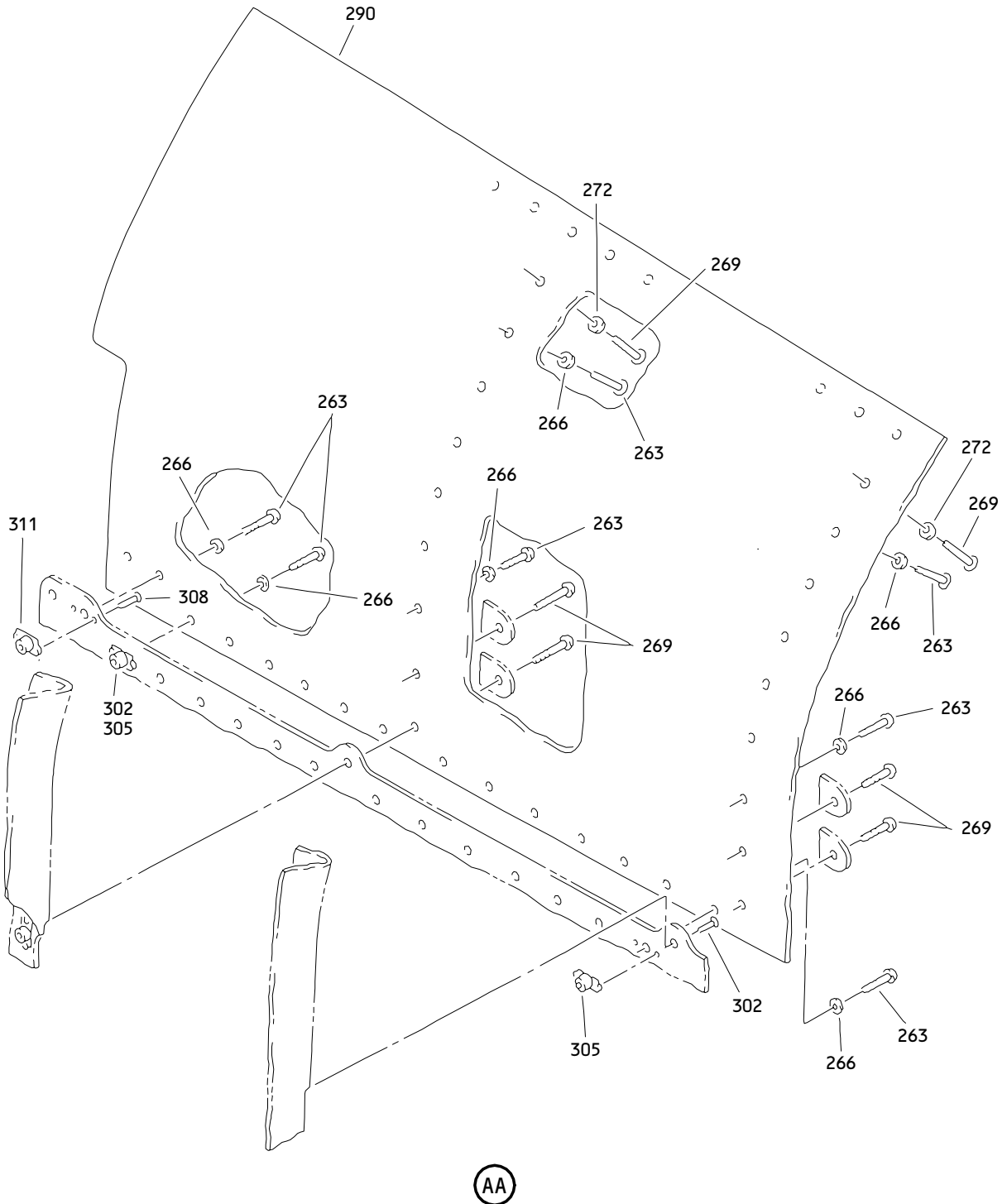
ILLUSTRATED PARTS LIST
 01.1 Page 1094X
 Jul 01/03



Inboard Slat No. 6 and 7 Wing Leading Edge Structure Assembly
Figure 7 (Sheet 22)

57-43-37

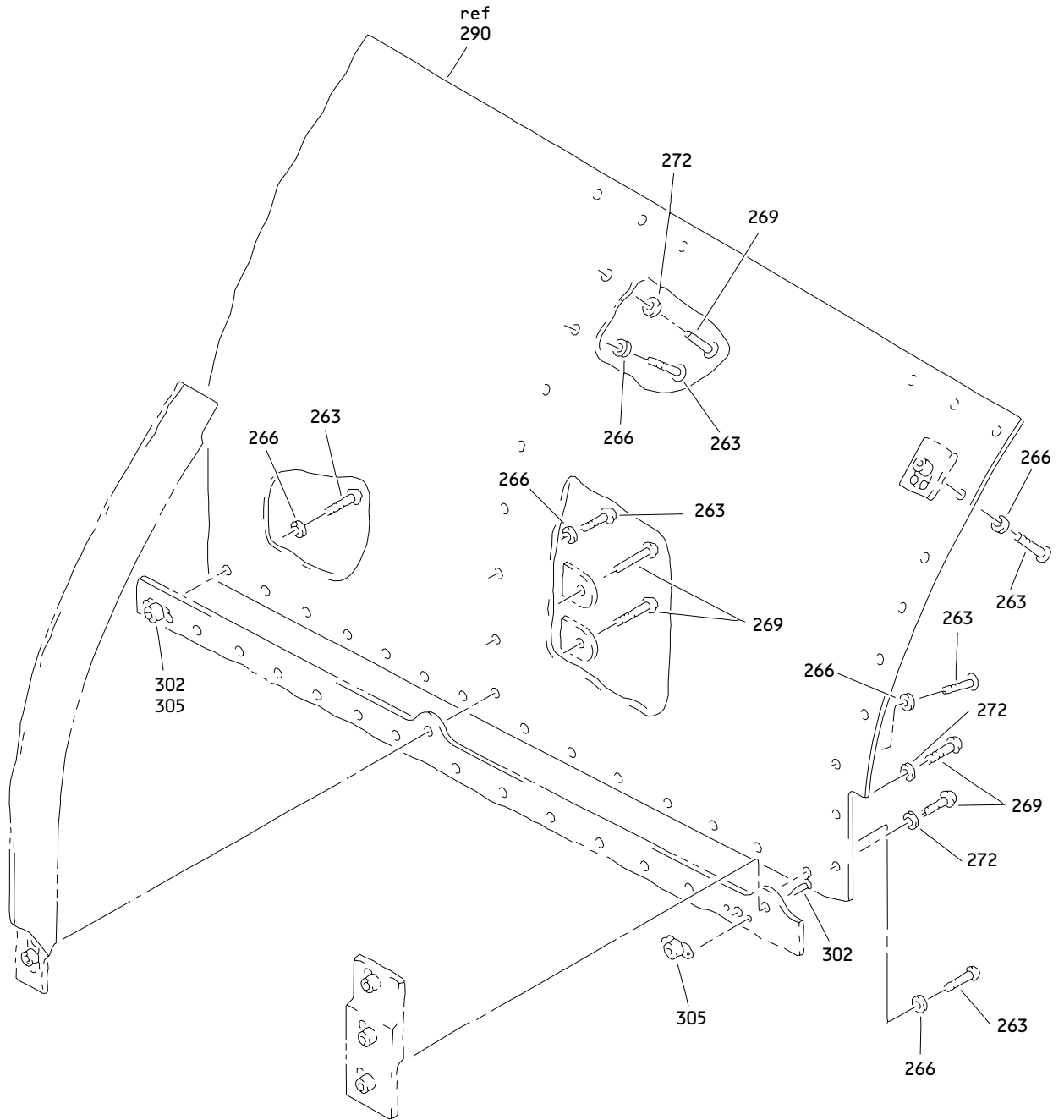
ILLUSTRATED PARTS LIST
01.1 Page 1094Y
Jul 01/03



Inboard Slat No. 6 and 7 Wing Leading Edge Structure Assembly
Figure 7 (Sheet 23)

57-43-37

ILLUSTRATED PARTS LIST
01.1 Page 1094Z
Jul 01/03

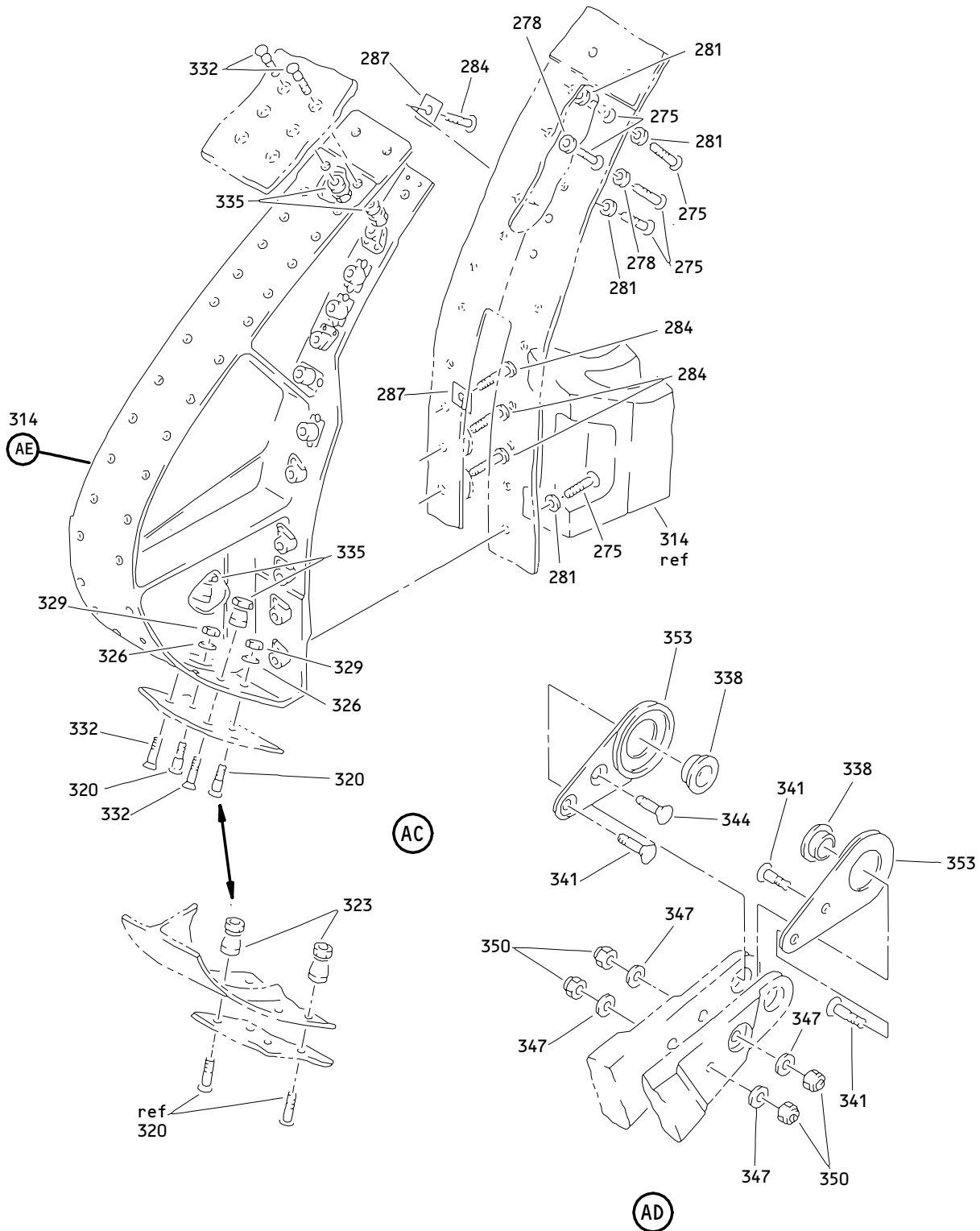


(AB)

Inboard Slat No. 6 and 7 Wing Leading Edge Structure Assembly
Figure 7 (Sheet 24)

57-43-37

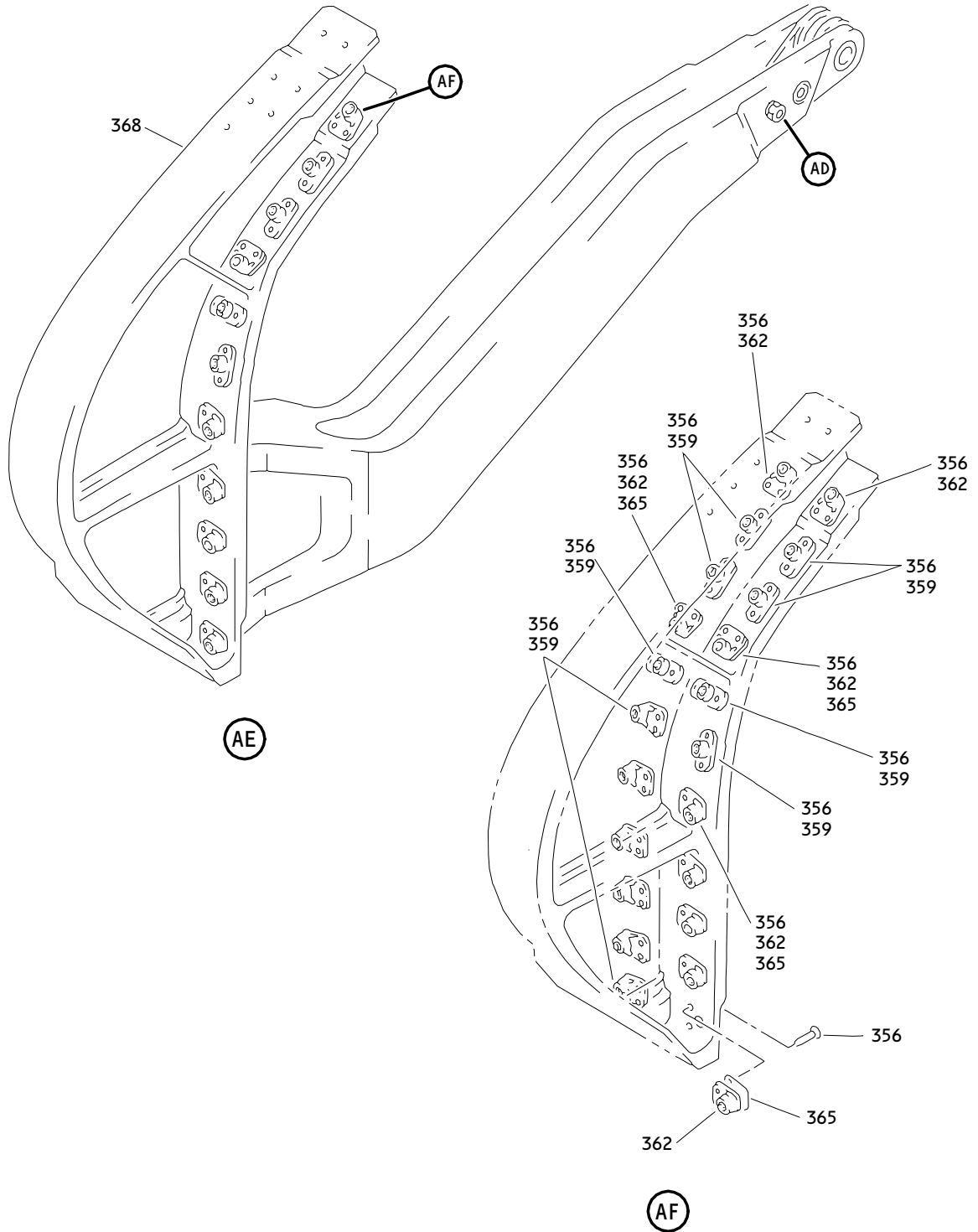
ILLUSTRATED PARTS LIST
01.1 Page 1095
Jul 01/03



Inboard Slat No. 6 and 7 Wing Leading Edge Structure Assembly
 Figure 7 (Sheet 25)

57-43-37

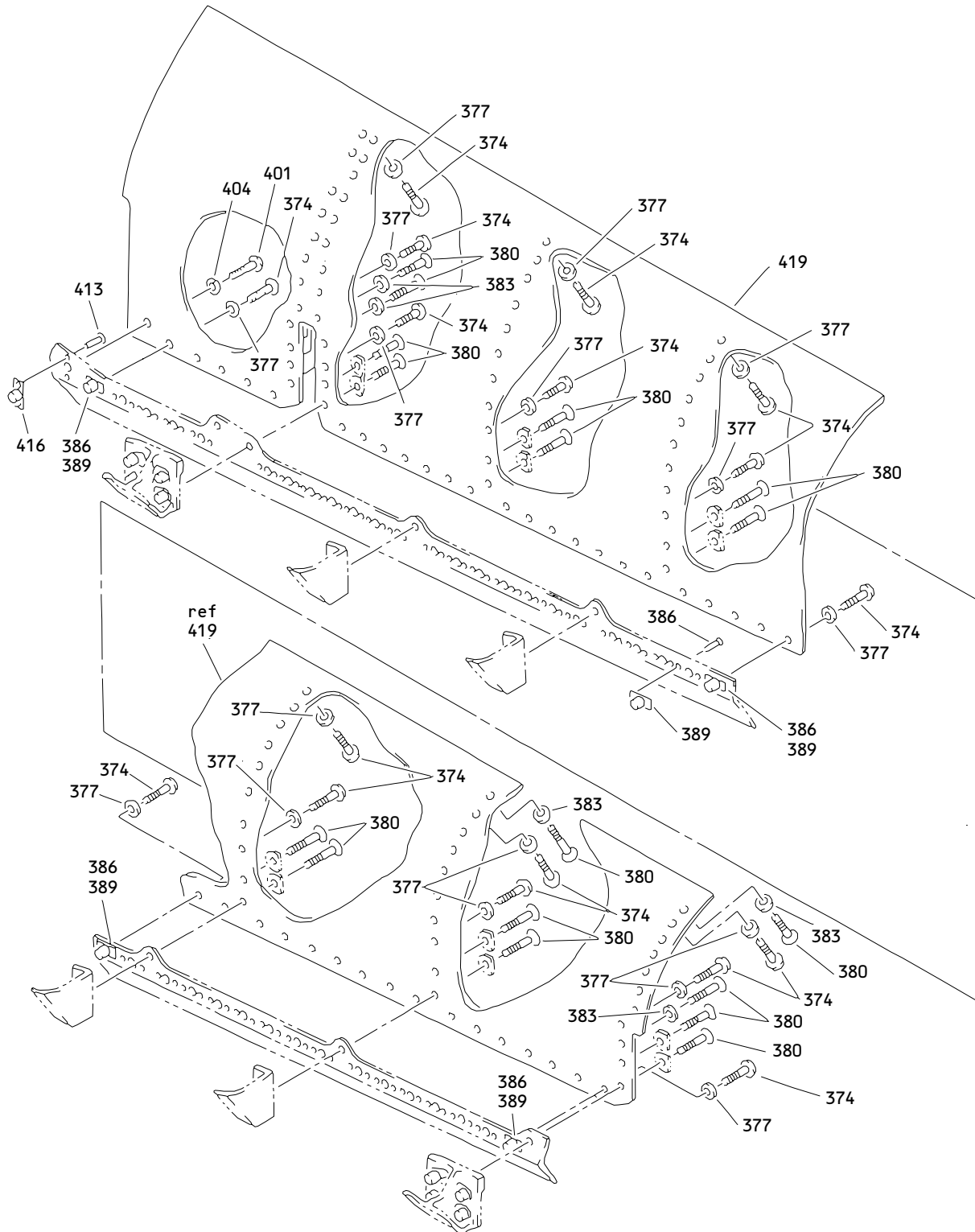
ILLUSTRATED PARTS LIST
 01.1 Page 1096
 Jul 01/03



Inboard Slat No. 6 and 7 Wing Leading Edge Structure Assembly
Figure 7 (Sheet 26)

57-43-37

ILLUSTRATED PARTS LIST
01.1 Page 1096A
Jul 01/03

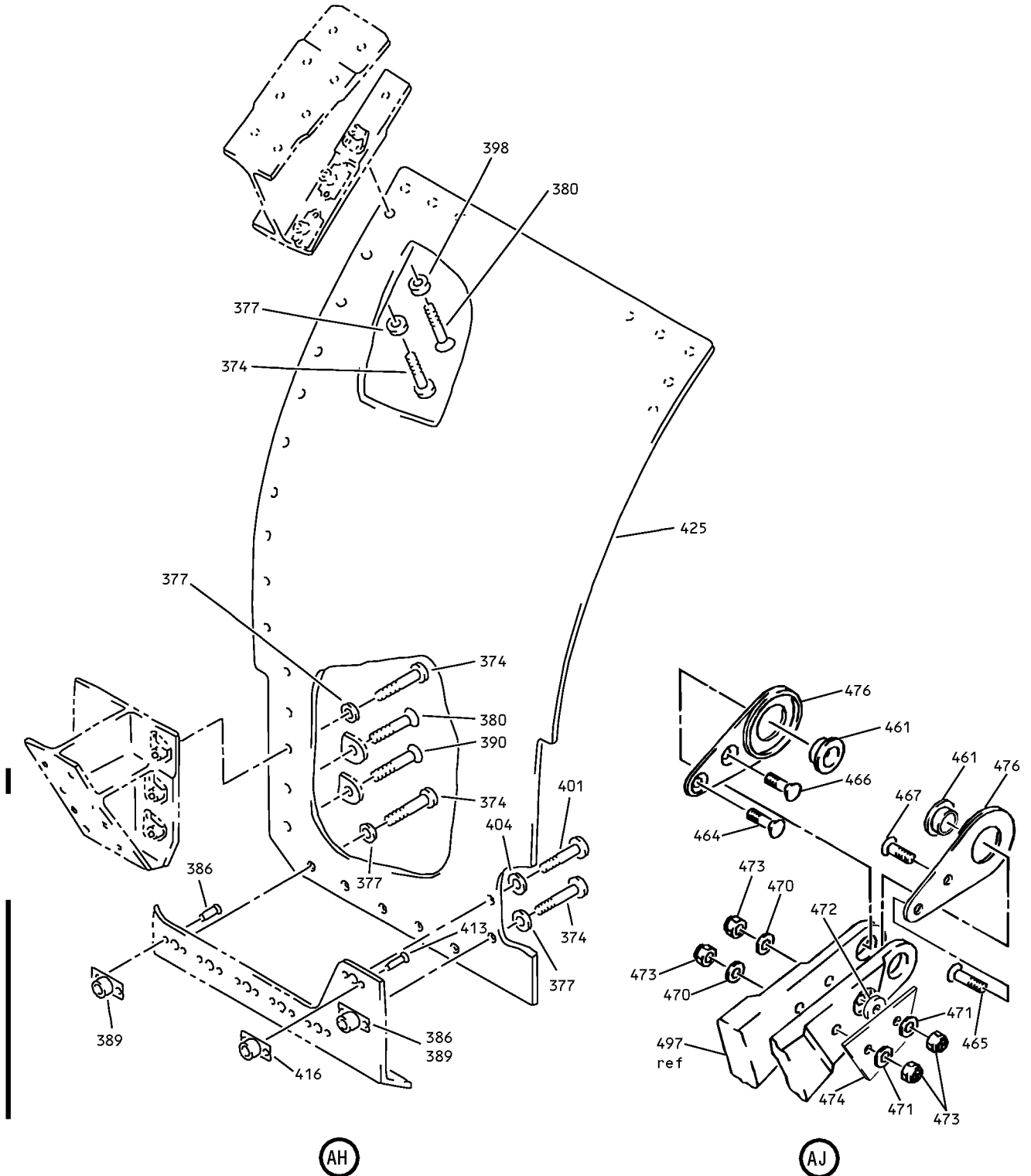


(AG)

Inboard Slat No. 6 and 7 Wing Leading Edge Structure Assembly
 Figure 7 (Sheet 27)

57-43-37

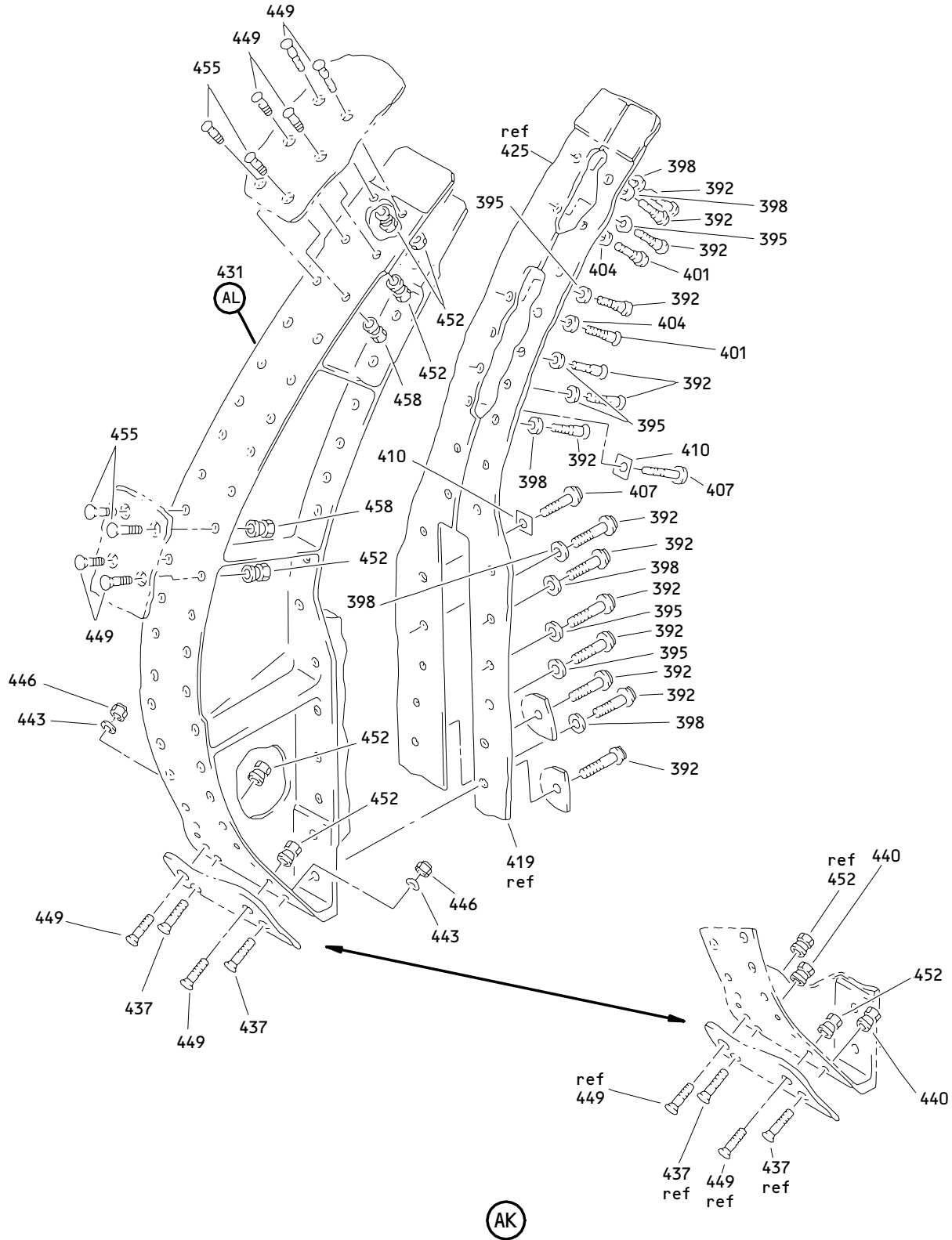
ILLUSTRATED PARTS LIST
 01.1 Page 1096B
 Jul 01/03



Inboard Slat No. 6 and 7 Wing Leading Edge Structure Assembly
Figure 7 (Sheet 28)

57-43-37

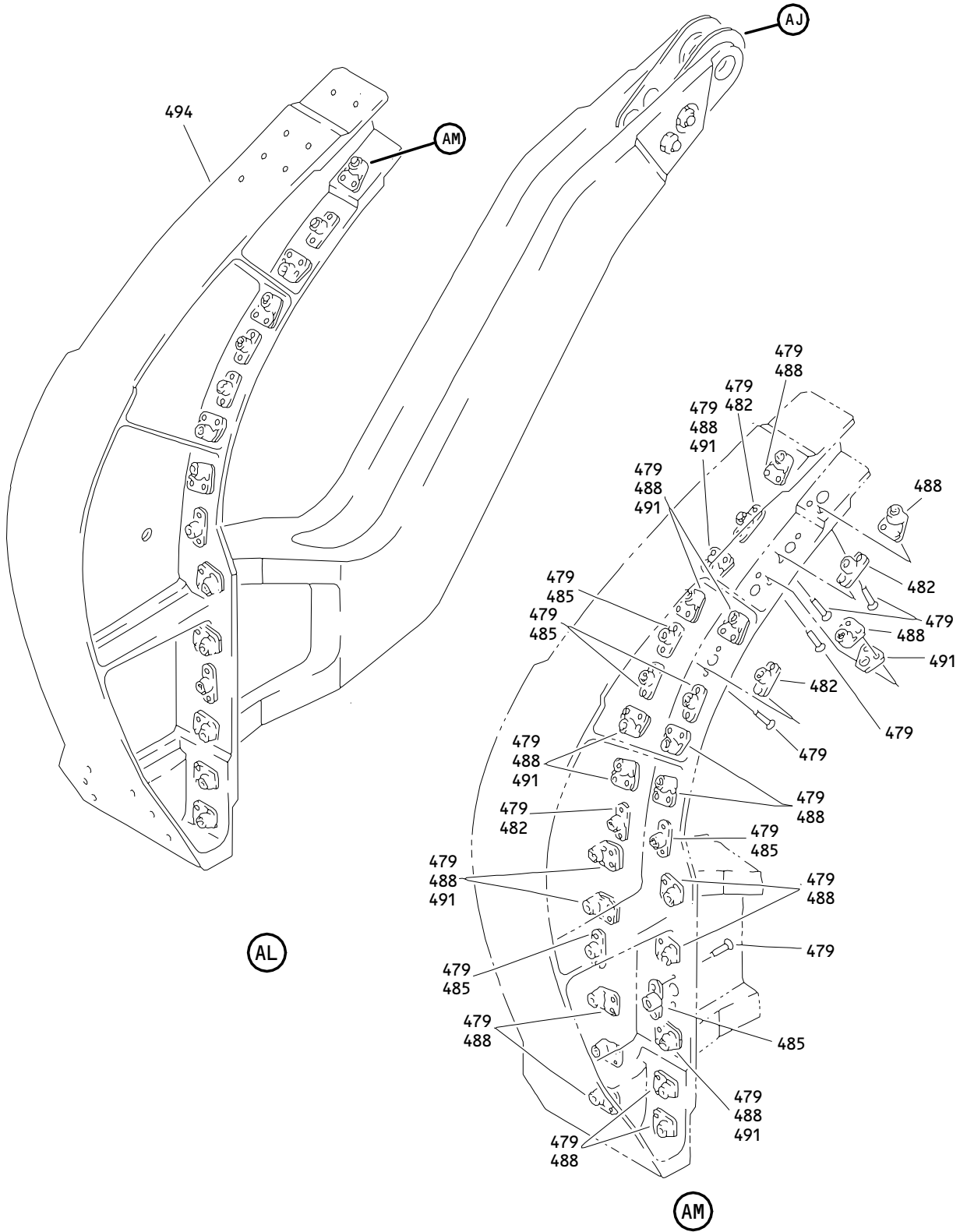
ILLUSTRATED PARTS LIST
01.1 Page 1096C
Jul 01/03



Inboard Slat No. 6 and 7 Wing Leading Edge Structure Assembly
 Figure 7 (Sheet 29)

57-43-37

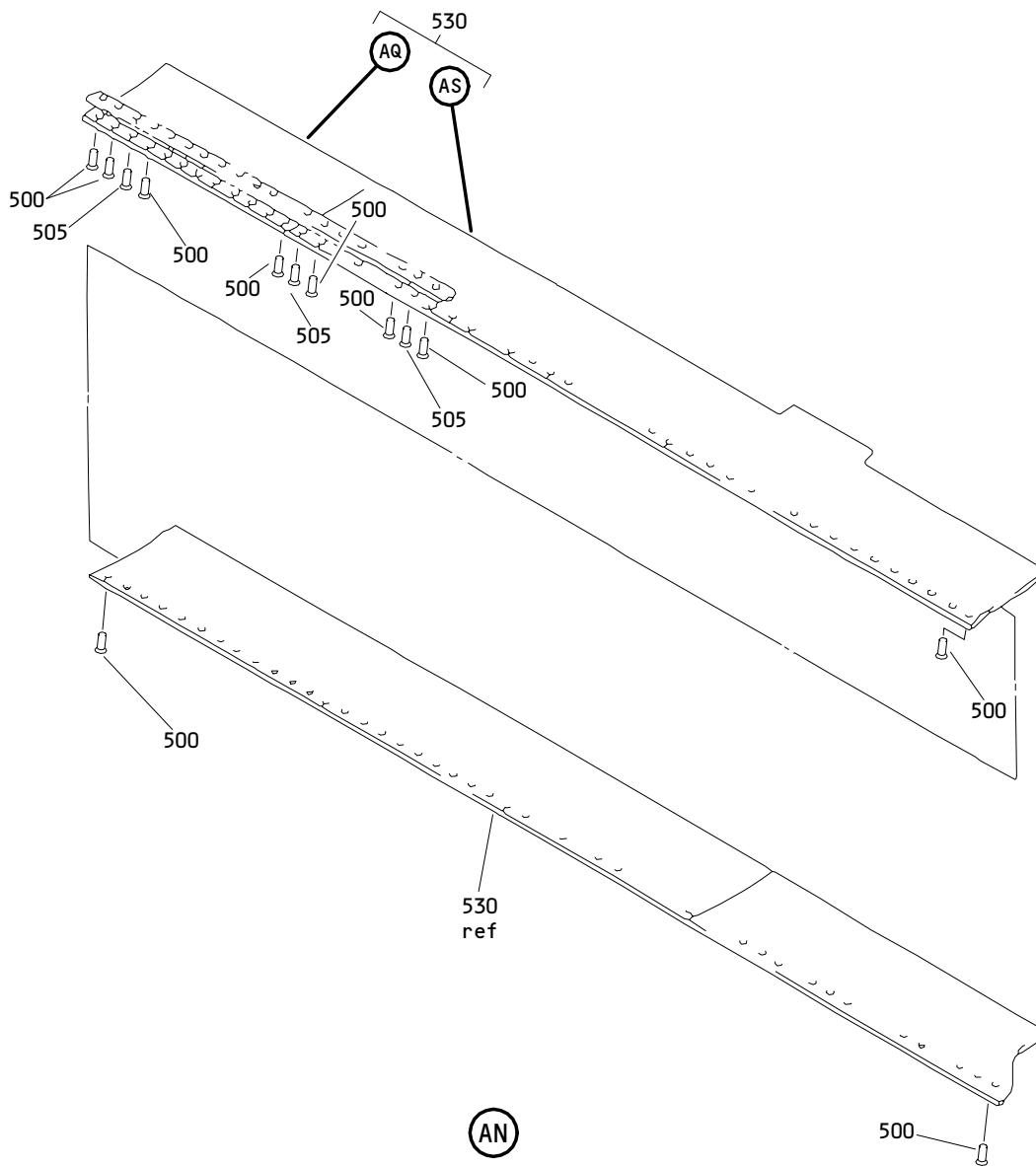
ILLUSTRATED PARTS LIST
 01.1 Page 1096D
 Jul 01/03



Inboard Slat No. 6 and 7 Wing Leading Edge Structure Assembly
Figure 7 (Sheet 30)

57-43-37

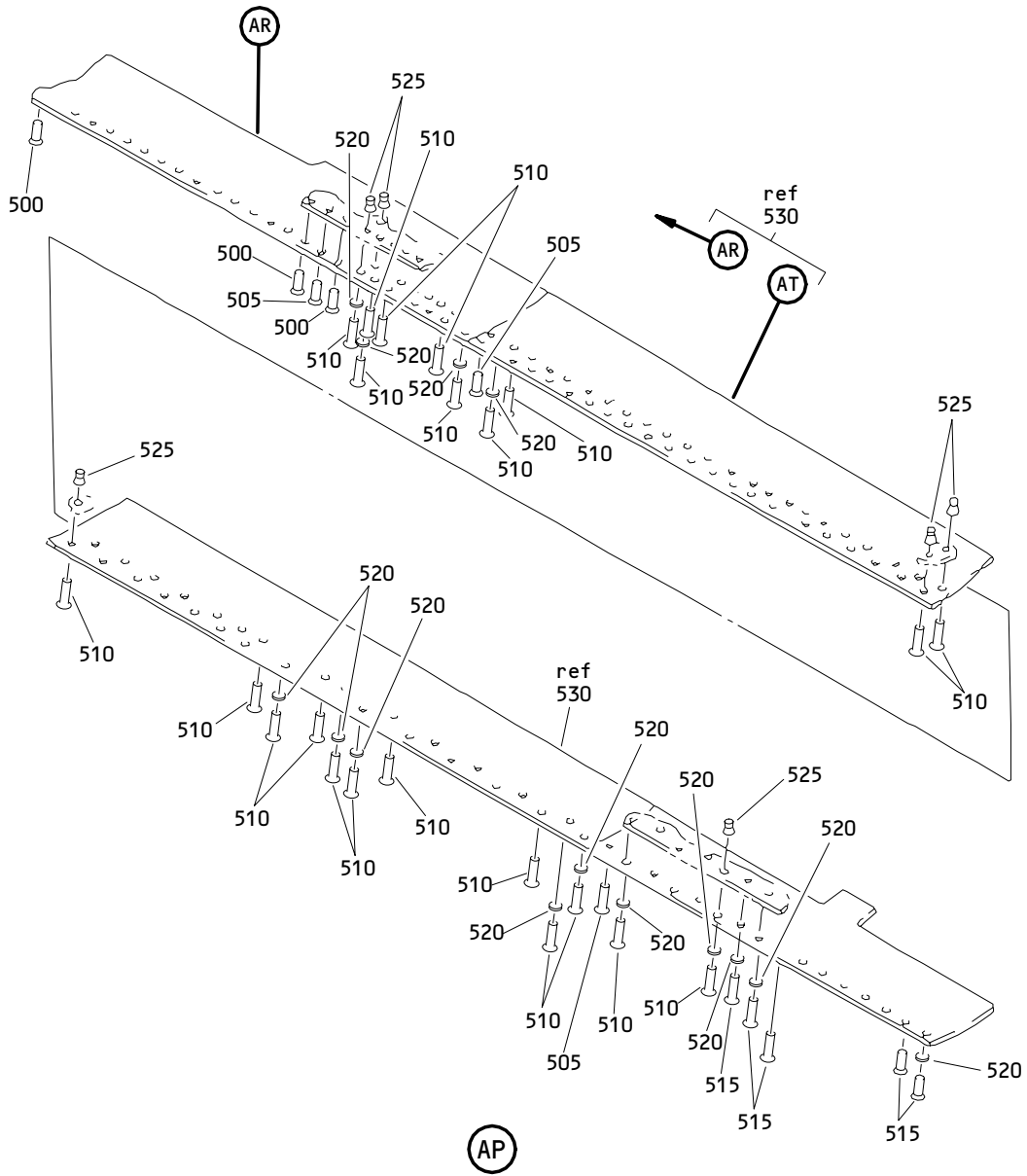
ILLUSTRATED PARTS LIST
01.1 Page 1096E
Jul 01/03



Inboard Slat No. 6 and 7 Wing Leading Edge Structure Assembly
Figure 7 (Sheet 31)

57-43-37

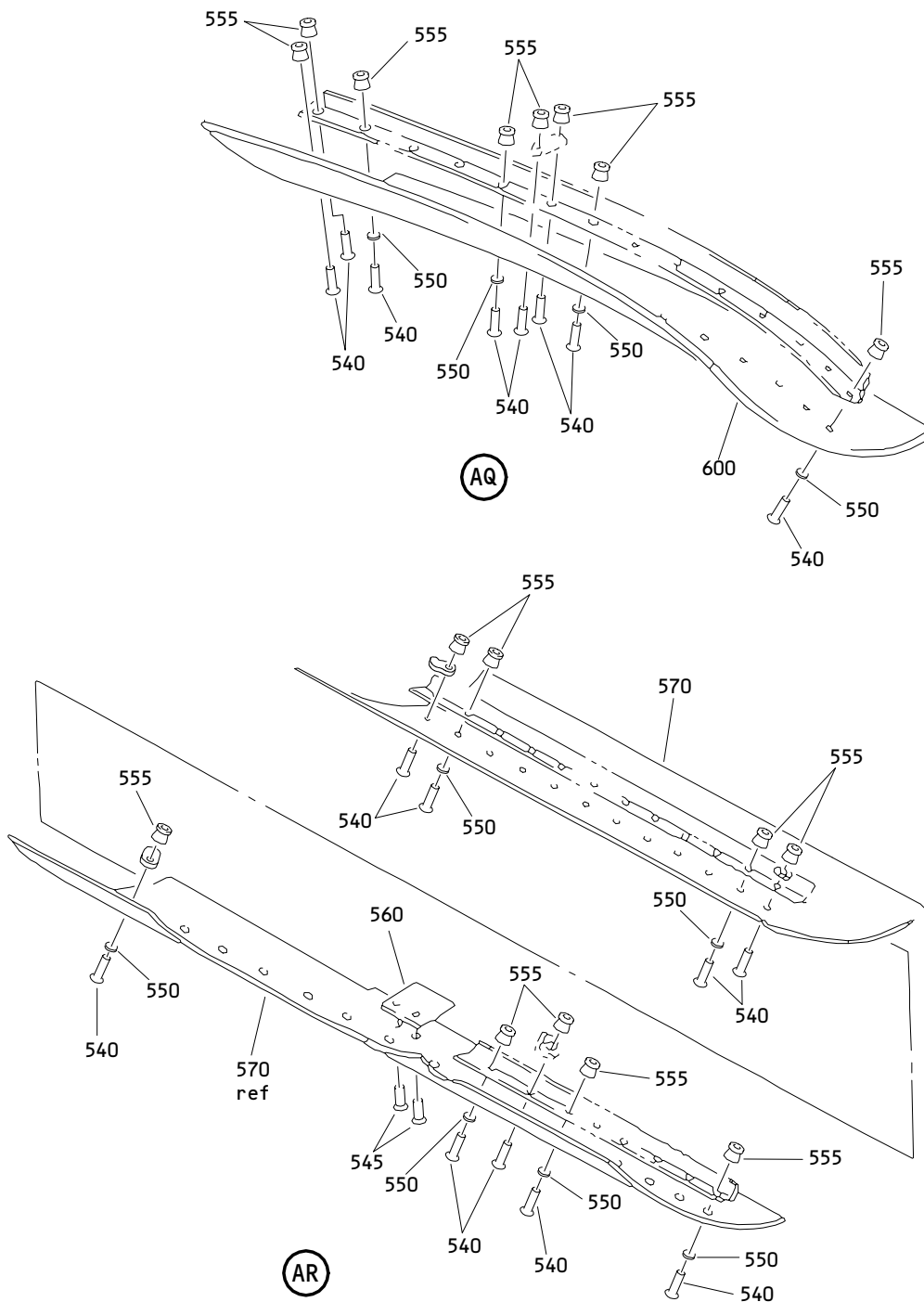
ILLUSTRATED PARTS LIST
01.1 Page 1096F
Jul 01/03



Inboard Slat No. 6 and 7 Wing Leading Edge Structure Assembly
Figure 7 (Sheet 32)

57-43-37

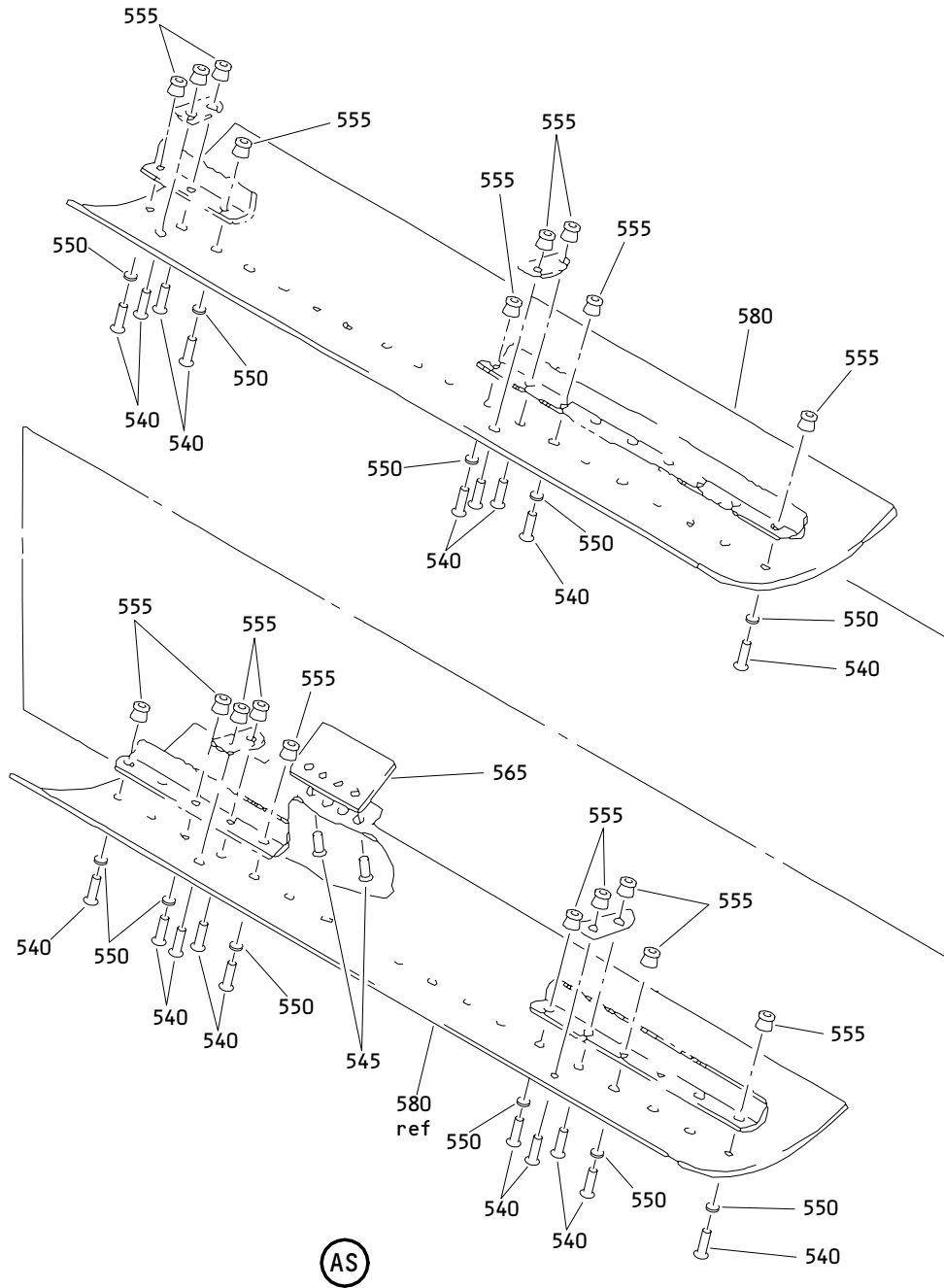
ILLUSTRATED PARTS LIST
01.1 Page 1096G
Jul 01/03



Inboard Slat No. 6 and 7 Wing Leading Edge Structure Assembly
 Figure 7 (Sheet 33)

57-43-37

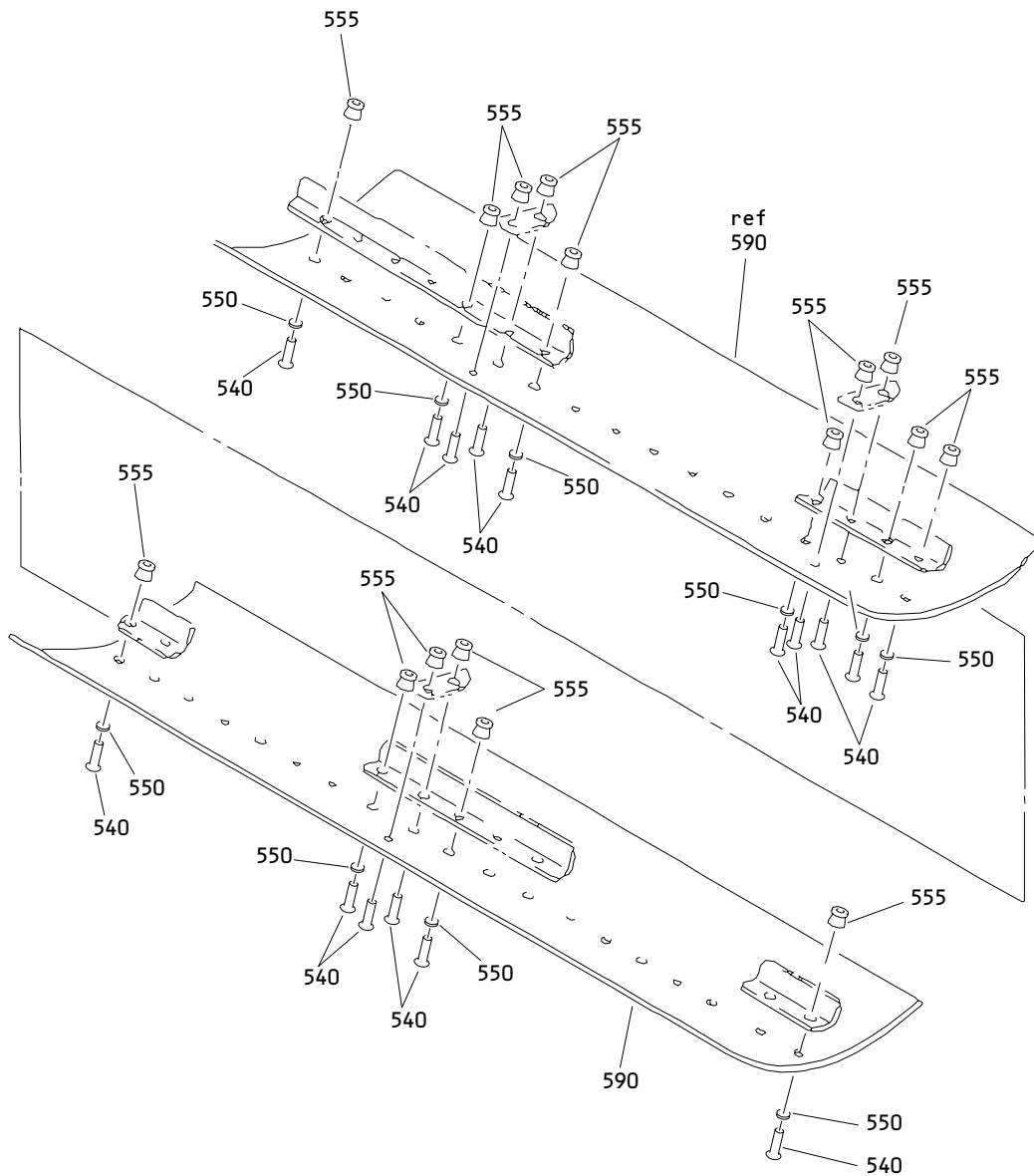
ILLUSTRATED PARTS LIST
 01.1 Page 1096H
 Jul 01/03



Inboard Slat No. 6 and 7 Wing Leading Edge Structure Assembly
Figure 7 (Sheet 34)

57-43-37

ILLUSTRATED PARTS LIST
01.1 Page 1096I
Jul 01/03



(AT)

Inboard Slat No. 6 and 7 Wing Leading Edge Structure Assembly
Figure 7 (Sheet 35)

57-43-37

ILLUSTRATED PARTS LIST
01.1 Page 1096J
Jul 01/03

| FIG. & ITEM | PART NO. | AIRLINE PART NUMBER | NOMENCLATURE 1234567 | EFF CODE | QTY PER ASSY |
|-------------|--------------|---------------------|--|----------|--------------|
| 07- -1 | 114T3100-27 | | STRUCTURE ASSY-SLAT NO. 6 INBD LE (LH) (POST SB 767-32-0107) (PRE SB 767-57A0057) (FOR ADDITIONAL DETAILS SEE FIG. 8) | X | RF |
| -1A | 114T3100-29 | | DELETED | | |
| -1B | 114T3100-35 | | STRUCTURE ASSY-SLAT NO. 6 INBD LE (VARIABLE) (LH) (PRE SB 767-57A0057) (FOR ADDITIONAL DETAILS SEE FIG. 8) | AF | RF |
| -1C | 114T3100-37 | | STRUCTURE ASSY-SLAT NO. 6 INBD LE (LH) (PRE SB 767-57A0057) (FOR ADDITIONAL DETAILS SEE FIG. 8) | AK | RF |
| -1D | 114T3100-43 | | DELETED | | |
| -1E | 015T1507-627 | | STRUCTURE ASSY-SLAT NO. 6 INBD LE (LH) (POST SB 767-57A0057) (FOR ADDITIONAL DETAILS SEE FIG. 8) | DL | RF |
| -1F | 015T1507-667 | | STRUCTURE ASSY-SLAT NO. 6 INBD LE (LH) (POST SB 767-57A0057) (FOR ADDITIONAL DETAILS SEE FIG. 8) | DM | RF |
| -1G | 015T1507-633 | | STRUCTURE ASSY-SLAT NO. 6 INBD LE (LH) (POST SB 767-57A0057) (FOR ADDITIONAL DETAILS SEE FIG. 8) | DN | RF |
| -1H | 015T1507-673 | | STRUCTURE ASSY-SLAT NO. 6 INBD LE (LH) (POST SB 767-57A0057) (FOR ADDITIONAL DETAILS SEE FIG. 8) | DP | RF |
| -1J | 015T1507-635 | | STRUCTURE ASSY-SLAT NO. 6 INBD LE (LH) (POST SB 767-57A0057) (FOR ADDITIONAL DETAILS SEE FIG. 8) | DQ | RF |

57-43-37

| FIG. & ITEM | PART NO. | AIRLINE PART NUMBER | NOMENCLATURE 1234567 | EFF CODE | QTY PER ASSY |
|-------------|----------------|---------------------|--|----------|--------------|
| 07- -1K | 015T1507-675 | | STRUCTURE ASSY-SLAT NO. 6 INBD LE (LH) (POST SB 767-57A0057) (FOR ADDITIONAL DETAILS SEE FIG. 8) | DR | RF |
| -1L | 114T3100-49SP | | DELETED | | |
| -1M | 114T3100-51SP | | DELETED | | |
| -1N | 114T3100-53SP | | DELETED | | |
| -1P | 114T3100-55SP | | DELETED | | |
| -1Q | 114T3100-401SP | | DELETED | | |
| -1R | 114T3100-403SP | | DELETED | | |
| R -1S | 114T3100-405G | | STRUCTURE ASSY-SLAT NO. 6 INBD LE (LH) (FOR ADDITIONAL DETAILS SEE FIG. 8) | EL | RF |
| R -1T | 114T3100-407G | | STRUCTURE ASSY-SLAT NO. 6 INBD LE (LH) (FOR ADDITIONAL DETAILS SEE FIG. 8) | EN | RF |
| R -1U | 114T3100-409G | | STRUCTURE ASSY-SLAT NO. 6 INBD LE (LH) (FOR ADDITIONAL DETAILS SEE FIG. 8) | EQ | RF |
| R -1V | 114T3100-411G | | STRUCTURE ASSY-SLAT NO. 6 INBD LE (LH) (FOR ADDITIONAL DETAILS SEE FIG. 8) | ES | RF |
| R -1W | 114T3100-49G | | STRUCTURE ASSY-SLAT NO. 6 INBD LE (LH) (FOR ADDITIONAL DETAILS SEE FIG. 8) | DY | RF |
| R -1X | 114T3100-51G | | STRUCTURE ASSY-SLAT NO. 6 INBD LE (LH) (FOR ADDITIONAL DETAILS SEE FIG. 8) | DZ | RF |
| R -1Y | 114T3100-53G | | STRUCTURE ASSY-SLAT NO. 6 INBD LE (LH) (FOR ADDITIONAL DETAILS SEE FIG. 8) | EA | RF |
| R -1Z | 114T3100-55G | | STRUCTURE ASSY-SLAT NO. 6 INBD LE (LH) (FOR ADDITIONAL DETAILS SEE FIG. 8) | EB | RF |

57-43-37

 ILLUSTRATED PARTS LIST
 01.1 Page 1096L
 Jul 01/03

| FIG. & ITEM | PART NO. | AIRLINE PART NUMBER | NOMENCLATURE 1234567 | EFF CODE | QTY PER ASSY |
|-------------|---------------|---------------------|--|----------|--------------|
| R 07- -2 | 114T3100-401G | | STRUCTURE ASSY-SLAT NO. 6 INBD LE (LH) (FOR ADDITIONAL DETAILS SEE FIG. 8) | EG | RF |
| R -2A | 114T3100-403G | | STRUCTURE ASSY-SLAT NO. 6 INBD LE (LH) (FOR ADDITIONAL DETAILS SEE FIG. 8) | EJ | RF |
| R -2B | 114T3100-413G | | STRUCTURE ASSY-SLAT NO. 6 INBD LE (LH) (FOR ADDITIONAL DETAILS SEE FIG. 8) | FE | RF |
| R -2C | 114T3100-415G | | STRUCTURE ASSY-SLAT NO. 6 INBD LE (LH) (FOR ADDITIONAL DETAILS SEE FIG. 8) | FG | RF |
| R -2D | 114T3100-417G | | STRUCTURE ASSY-SLAT NO. 6 INBD LE (LH) (FOR ADDITIONAL DETAILS SEE FIG. 8) | FJ | RF |
| -5 | 114T3100-28 | | STRUCTURE ASSY-SLAT NO. 7 INBD LE (RH) (POST SB 767-32-0107) (PRE SB 767-57A0057) (FOR ADDITIONAL DETAILS SEE FIG. 8) | AA | RF |
| -5A | 114T3100-30 | | DELETED | | |
| -5B | 114T3100-36 | | STRUCTURE ASSY-SLAT NO. 7 INBD LE (VARIABLE) (RH) (PRE SB 767-57A0057) (FOR ADDITIONAL DETAILS SEE FIG. 8) | AG | RF |
| -5C | 114T3100-38 | | STRUCTURE ASSY-SLAT NO. 7 INBD LE (RH) (PRE SB 767-57A0057) (FOR ADDITIONAL DETAILS SEE FIG. 8) | AM | RF |
| -5D | 114T3100-44 | | DELETED | | |
| -5E | 015T1507-628 | | STRUCTURE ASSY-SLAT NO. 7 INBD LE (RH) (POST SB 767-57A0057) (FOR ADDITIONAL DETAILS SEE FIG. 8) | DS | RF |

57-43-37

| FIG. & ITEM | PART NO. | AIRLINE PART NUMBER | NOMENCLATURE 1234567 | EFF CODE | QTY PER ASSY |
|-------------|----------------|---------------------|--|----------|--------------|
| 07- -5F | 015T1507-668 | | STRUCTURE ASSY-SLAT NO. 7 INBD LE (RH) (POST SB 767-57A0057) (FOR ADDITIONAL DETAILS SEE FIG. 8) | DT | RF |
| -5G | 015T1507-634 | | STRUCTURE ASSY-SLAT NO. 7 INBD LE (RH) (POST SB 767-57A0057) (FOR ADDITIONAL DETAILS SEE FIG. 8) | DU | RF |
| -5H | 015T1507-674 | | STRUCTURE ASSY-SLAT NO. 7 INBD LE (RH) (POST SB 767-57A0057) (FOR ADDITIONAL DETAILS SEE FIG. 8) | DV | RF |
| -5J | 015T1507-636 | | STRUCTURE ASSY-SLAT NO. 7 INBD LE (RH) (POST SB 767-57A0057) (FOR ADDITIONAL DETAILS SEE FIG. 8) | DW | RF |
| -5K | 015T1507-676 | | STRUCTURE ASSY-SLAT NO. 7 INBD LE (RH) (POST SB 767-57A0057) (FOR ADDITIONAL DETAILS SEE FIG. 8) | DX | RF |
| -5L | 114T3100-50SP | | DELETED | | |
| -5M | 114T3100-52SP | | DELETED | | |
| -5N | 114T3100-54SP | | DELETED | | |
| -5P | 114T3100-56SP | | DELETED | | |
| -5Q | 114T3100-402SP | | DELETED | | |
| -5R | 114T3100-404SP | | DELETED | | |
| R -5S | 114T3100-406G | | STRUCTURE ASSY-SLAT NO. 7 INBD LE (RH) (FOR ADDITIONAL DETAILS SEE FIG. 8) | EM | RF |
| R -5T | 114T3100-408G | | STRUCTURE ASSY-SLAT NO. 7 INBD LE (RH) (FOR ADDITIONAL DETAILS SEE FIG. 8) | EP | RF |
| R -5U | 114T3100-410G | | STRUCTURE ASSY-SLAT NO. 7 INBD LE (RH) (FOR ADDITIONAL DETAILS SEE FIG. 8) | ER | RF |

57-43-37

 ILLUSTRATED PARTS LIST
 01.1 Page 1096N
 Jul 01/03

| FIG. & ITEM | PART NO. | AIRLINE PART NUMBER | NOMENCLATURE 1234567 | EFF CODE | QTY PER ASSY |
|-------------|---------------|---------------------|---|---------------------------------|--------------|
| R 07-5V | 114T3100-412G | | STRUCTURE ASSY-SLAT NO. 7 INBD LE (RH) (FOR ADDITIONAL DETAILS SEE FIG. 8) | ET | RF |
| R -5W | 114T3100-50G | | STRUCTURE ASSY-SLAT NO. 7 INBD LE (RH) (FOR ADDITIONAL DETAILS SEE FIG. 8) | EC | RF |
| R -5X | 114T3100-52G | | STRUCTURE ASSY-SLAT NO. 7 INBD LE (RH) (FOR ADDITIONAL DETAILS SEE FIG. 8) | ED | RF |
| R -5Y | 114T3100-54G | | STRUCTURE ASSY-SLAT NO. 7 INBD LE (RH) (FOR ADDITIONAL DETAILS SEE FIG. 8) | EE | RF |
| R -5Z | 114T3100-56G | | STRUCTURE ASSY-SLAT NO. 7 INBD LE (RH) (FOR ADDITIONAL DETAILS SEE FIG. 8) | EF | RF |
| R -6 | 114T3100-402G | | STRUCTURE ASSY-SLAT NO. 7 INBD LE (RH) (FOR ADDITIONAL DETAILS SEE FIG. 8) | EH | RF |
| R -6A | 114T3100-404G | | STRUCTURE ASSY-SLAT NO. 7 INBD LE (RH) (FOR ADDITIONAL DETAILS SEE FIG. 8) | EK | RF |
| R -6B | 114T3100-414G | | STRUCTURE ASSY-SLAT NO. 7 INBD LE (RH) (FOR ADDITIONAL DETAILS SEE FIG. 8) | FF | RF |
| R -6C | 114T3100-416G | | STRUCTURE ASSY-SLAT NO. 7 INBD LE (RH) (FOR ADDITIONAL DETAILS SEE FIG. 8) | FH | RF |
| R -6D | 114T3100-418G | | STRUCTURE ASSY-SLAT NO. 7 INBD LE (RH) (FOR ADDITIONAL DETAILS SEE FIG. 8) | FK | RF |
| 8 | 114T3200-5 | | .SEAL INSTL- (FOR DETAILS SEE FIG. 3) | X,AF, AK,D L-DR, DY,EA | 1 |

57-43-37

ILLUSTRATED PARTS LIST
01.1 Page 10960
Jul 01/03

| FIG. & ITEM | PART NO. | AIRLINE PART NUMBER | NOMENCLATURE 1234567 | EFF CODE | QTY PER ASSY |
|-------------|-------------|---------------------|--|---|--------------|
| 07- -8A | 114T3200-9 | | .SEAL INSTL- (FOR DETAILS SEE FIG. 3) | DZ,EB | 1 |
| R -8B | 114T3200-11 | | .SEAL INSTL- (FOR DETAILS SEE FIG. 3) | EJ,EN | 1 |
| R -8C | 114T3200-13 | | .SEAL INSTL- (FOR DETAILS SEE FIG. 3) | EG,EL ,EQ,E S | 1 |
| R -8D | 114T3200-15 | | .SEAL INSTL- (FOR DETAILS SEE FIG. 3) | FE,FJ | 1 |
| R -8E | 114T3200-17 | | .SEAL INSTL- (FOR DETAILS SEE FIG. 3) | FG | 1 |
| -11 | 114T3200-6 | | .SEAL INSTL- (FOR DETAILS SEE FIG. 3) | AA,AG ,AM,D S-DX, EC,EE ED,EF | 1 |
| -11A | 114T3200-10 | | .SEAL INSTL- (FOR DETAILS SEE FIG. 3) | | 1 |
| R -11B | 114T3200-12 | | .SEAL INSTL- (FOR DETAILS SEE FIG. 3) | EK,EP | 1 |
| R -11C | 114T3200-14 | | .SEAL INSTL- (FOR DETAILS SEE FIG. 3) | EH,EM ,ER,E T | 1 |
| R -11D | 114T3200-16 | | .SEAL INSTL- (FOR DETAILS SEE FIG. 3) | FF,FK | 1 |
| R -11E | 114T3200-18 | | .SEAL INSTL- (FOR DETAILS SEE FIG. 3) | FG | 1 |
| 14 | BACR15BA3AD | | .RIVET- (SIZE DETERMINE ON INST) | X,AA, AF,AG ,AK,A M,D L-ET FE-FK | 76 |

57-43-37

 ILLUSTRATED PARTS LIST
 01.1 Page 1096P
 Jul 01/03

| FIG. & ITEM | PART NO. | AIRLINE PART NUMBER | NOMENCLATURE 1234567 | EFF CODE | QTY PER ASSY |
|-------------|----------------|---------------------|---|---|--------------|
| 07-17 | BRFM20A3 | | .NUTPLATE- (V52828) (SPEC BACN10JN3) (OPT MF1000-3BAC (V15653)) (OPT NS103218-02 (V80539)) (OPT RMF9201M3 (V72962)) (OPT VN252A02 (V92215)) (OPT MF1000-3BAC (V15653)) (OPT MF53049-3 (V15653)) | X,AA, AF,AG ,AK,A M,D L-ET FE-FK | 2 |
| 20 | BACN10JQ36 | | .NUTPLATE | X,AA, AF,AG ,AK,A M,D L-ET FE-FK | 1 |
| R 23 | BRFM22A5-3 | | .NUTPLATE- (V52828) (SPEC BACN10JQ35) (OPT MF19058-3-5BAC (V15653)) | X,AA, AF,AG ,AK,A M,D L-EF | 1 |
| R -23A | MF19058-3-5BAC | | .NUTPLATE- (V15653) (SPEC BACN10YF35) | EG-ET ,FE-F K | 1 |

57-43-37

| FIG. & ITEM | PART NO. | AIRLINE PART NUMBER | NOMENCLATURE 1234567 | EFF CODE | QTY PER ASSY |
|-------------|----------------|---------------------|---|---|--------------|
| 07-26 | BRFM22A4-3 | | .NUTPLATE- (V52828) (SPEC BACN10JQ34) (OPT MF19058-3-4BAC (V15653)) | X,AA, AF,AG ,AK,A M,D L-EF | 4 |
| -26A | MF19058-3-4BAC | | .NUTPLATE- (V15653) (SPEC BACN10YF34) | EG-ET ,FE-F K | 4 |
| 29 | BACN10JQ32 | | .NUTPLATE | X,AA, AF,AG ,AK,A M,D L-EF | 30 |
| -29A | MF19058-3-2BAC | | .NUTPLATE- (V15653) (SPEC BACN10YF32) | EG-ET ,FE-F K | 30 |
| 32 | BACR15BA3AD | | .RIVET- (SIZE DETERMINE ON INST) | X,AA, AF,AG ,AK,A M,D L-ET FE-FK | 20 |
| 35 | BACN10JQ32 | | .NUTPLATE | X,AA, AF,AG ,AK,A M,D L-EF | 10 |
| -35A | MF19058-3-2BAC | | .NUTPLATE- (V15653) (SPEC BACN10YF32) | EG-ET ,FE-F K | 10 |

57-43-37

ILLUSTRATED PARTS LIST
01.1 Page 1096R
Jul 01/03

015T0165
 015T1507
 114T3100
 DASH NUMBERS LIMITED

 **BOEING**
 COMPONENT
 MAINTENANCE MANUAL

| FIG. & ITEM | PART NO. | AIRLINE PART NUMBER | NOMENCLATURE 1234567 | EFF CODE | QTY PER ASSY |
|-------------|--------------|---------------------|--|-------------------------------|--------------|
| 07-38 | 114T3110-19 | | .BOND ASSY-TE WEDGE (-19 IS INTERCHANGEABLE WITH -31 ONLY IF CUSTOMER COMPLIES WITH A/D 93-14-19) (PRE SB 767-57A0039) (PRE SB 767-57A0057) (FOR SPARES PROCURE 114T3110U19) | X,AF | 1 |
| -38A | 114T3110-31 | | .BOND ASSY-TE WEDGE (-19 IS INTERCHANGEABLE WITH -31 ONLY IF CUSTOMER COMPLIES WITH A/D 93-14-19) (POST SB 767-57A0039) (POST SB 767-57A0057) (FOR SPARES PROCURE 114T3110U31) | AK,DL ,DN,D Q,EA | 1 |
| -38B | 114T3110-35 | | .BOND ASSY-TE WEDGE (POST SB 767-57A0057) | DM,DP ,DR,D Y | 1 |
| -38C | 114T3110-53 | | .BOND ASSY-TE WEDGE | DZ | 1 |
| -38D | 114T3110-55 | | .BOND ASSY-TE WEDGE | EB | 1 |
| -38E | 114T3110-401 | | .BOND ASSY-TE WEDGE | EG,EL ,EQ,E S,FE, FJ | 1 |
| -38F | 114T3110-405 | | .BOND ASSY-TE WEDGE | EJ,EN ,FG | 1 |

57-43-37

ILLUSTRATED PARTS LIST
 01.1 Page 1096S
 Jul 01/03

| FIG. & ITEM | PART NO. | AIRLINE PART NUMBER | NOMENCLATURE 1234567 | EFF CODE | QTY PER ASSY |
|-------------|--------------|---------------------|--|---|--------------|
| 07- -41 | 114T3110-20 | | .BOND ASSY-TE WEDGE (-20 IS INTERCHANGEABLE WITH -32 ONLY IF CUSTOMER COMPLIES WITH A/D 93-14-19) (PRE SB 767-57A0039) (PRE SB 767-57A0057) (FOR SPARES PROCURE 114T3110U20) | AA,AG | 1 |
| -41A | 114T3110-32 | | .BOND ASSY-TE WEDGE (-20 IS INTERCHANGEABLE WITH -32 ONLY IF CUSTOMER COMPLIES WITH A/D 93-14-19) (POST SB 767-57A0039) (POST SB 767-57A0057) (FOR SPARES PROCURE 114T3110U25) | AM,DS ,DU,D W,EE | 1 |
| -41B | 114T3110-36 | | .BOND ASSY-TE WEDGE (POST SB 767-57A0057) | DT,DV ,DX, EC | 1 |
| -41C | 114T3110-54 | | .BOND ASSY-TE WEDGE | ED | 1 |
| -41D | 114T3110-56 | | .BOND ASSY-TE WEDGE | EF | 1 |
| -41E | 114T3110-402 | | .BOND ASSY-TE WEDGE | EH,EM ,ER,E T,FF, FK | 1 |
| -41F | 114T3110-406 | | .BOND ASSY-TE WEDGE | EK,EP ,FH | 1 |
| 44 | BACR15CE5KE | | ATTACHING PARTS .RIVET- (SIZE DETERMINE ON INST) | X,AA, AF,AG ,AK,A M,D L-ET FE-FK | 1 |
| 47 | BACR15CE5KE | | .RIVET- (REPLD BY ITEM 50) (SIZE DETERMINE ON INST) | X,AA, AF,AG ,AK,A M,D L-ET FE-FK | 65 |

57-43-37

ILLUSTRATED PARTS LIST
01.1 Page 1096T
Jul 01/03

| FIG. & ITEM | PART NO. | AIRLINE PART NUMBER | NOMENCLATURE 1234567 | EFF CODE | QTY PER ASSY |
|-------------|------------|---------------------|---|---|--------------|
| 07-50 | BACB30NW5K | | .BOLT- (REPLS ITEM 47) (SIZE DETERMINE ON INST) | X,AA, AF,AG ,AK,A M,D L-ET FE-FK | 65 |
| 53 | HL70-5 | | .COLLAR- (V56878) (SPEC BACC30M5) (OPT HL70-5 (V73197)) (OPT HL70-5 (V92215)) (OPT 66014-5 (V56878)) (OPT HL79-5 (V5M902)) (USED WITH ITEM 50) | X,AA, AF,AG ,AK,A M,D L-ET FE-FK | 65 |
| 56 | BACB30NW6K | | .BOLT- (SIZE DETERMINE ON INST) | X,AA, AF,AG ,AK,A M,D L-ET FE-FK | 127 |
| 59 | HL79-6 | | .COLLAR- (V56878) (SPEC BACC30M6) (OPT HL79-6 (V73197)) (OPT HL79-6 (V92215)) (OPT 66014-6 (V56878)) (OPT HL79-6 (V5M902)) | X,AA, AF,AG ,AK,A M,D L-ET FE-FK | 99 |

57-43-37

| FIG. & ITEM | PART NO. | AIRLINE PART NUMBER | NOMENCLATURE 1234567 | EFF CODE | QTY PER ASSY |
|-------------|-------------|---------------------|--|---|--------------|
| 07-62 | HL82-6APBW | | .COLLAR- (V73197) (SPEC BACC30AG6) (OPT HL82-6APBW (V92215)) (OPT HL82-6APBW (V56878)) (OPT HL82-6APBW (V5M902)) | X,AA, AF,AG ,AK,A M,D L-ET FE-FK | 28 |
| 65 | BACB30NT3K3 | | .BOLT | X,AA, AF,AG ,AK,A M,D L-ET FE-FK | 71 |
| 68 | AN960PD10L | | .WASHER | X,AA, AF,AG ,AK,A M,D L-ET FE-FK | 69 |
| 71 | BACB30NN3K6 | | .BOLT | X,AA, AF,AG ,AK,A M,D L-ET FE-FK | 23 |
| 74 | 114T3101-1 | | .WASHER | X,AA, AF,AG ,AK,A M,D L-ET FE-FK | 22 |

57-43-37

 ILLUSTRATED PARTS LIST
 01.1 Page 1096V
 Jul 01/03

| FIG. & ITEM | PART NO. | AIRLINE PART NUMBER | NOMENCLATURE 1234567 | EFF CODE | QTY PER ASSY |
|-------------|-------------|---------------------|--|---|--------------|
| 07-77 | 114T3101-2 | | .WASHER | X,AA, AF,AG ,AK,A M,D L-ET FE-FK | 1 |
| 80 | BACB30NT3K3 | | .BOLT- (REPLD BY ITEM 86) | X,AA, AF,AG ,AK,A M,D L-ET FE-FK | 6 |
| 83 | AN960PD10L | | .WASHER- (USED WITH ITEM 80) | X,AA, AF,AG ,AK,A M,D L-ET FE-FK | 6 |
| 86 | BACB30NN3K6 | | .BOLT- (REPLS ITEM 80) | X,AA, AF,AG ,AK,A M,D L-ET FE-FK | 6 |
| 89 | 114T3101-1 | | .WASHER- (USED WITH ITEM 86) | X,AA, AF,AG ,AK,A M,D L-ET FE-FK | 6 |
| 92 | BACB30MY6K | | .BOLT- (REPLD BY ITEM 98) (SIZE DETERMINE ON INST) | X,AA, AF,AG ,AK,A M,D L-ET FE-FK | 6 |

57-43-37

ILLUSTRATED PARTS LIST
 01.1 Page 1096W
 Jul 01/03

| FIG. & ITEM | PART NO. | AIRLINE PART NUMBER | NOMENCLATURE 1234567 | EFF CODE | QTY PER ASSY |
|-------------|---------------|---------------------|---|---|--------------|
| 07-95 | HL79-6 | | .COLLAR- (V56878) (SPEC BACC30M6) (OPT HL79-6 (V73197)) (OPT HL79-6 (V92215)) (OPT 66014-6 (V56878)) (OPT HL79-6 (V5M902)) (USED WITH ITEM 92) | X,AA, AF,AG ,AK,A M,D L-ET FE-FK | 6 |
| 98 | BACB30NN3K6 | | .BOLT- (REPLS ITEM 92) | X,AA, AF,AG ,AK,A M,D L-ET FE-FK | 6 |
| 101 | 114T3101-2 | | .WASHER- (USED WITH ITEM 98) | X,AA, AF,AG ,AK,A M,D L-ET FE-FK | 6 |
| 104 | BACS40R09B09F | | .SHIM | X,AA, AF,AG ,AK,A M,D L-ET FE-FK | 13 |
| 107 | BACS40R09B18F | | .SHIM | X,AA, AF,AG ,AK,A M,D L-ET FE-FK | 7 |
| 110 | BACS40R09B20F | | .SHIM | X,AA, AF,AG ,AK,A M,D L-ET FE-FK | 1 |
| | | | -----* | | |

57-43-37

ILLUSTRATED PARTS LIST
01.1 Page 1096X
Jul 01/03

| FIG. & ITEM | PART NO. | AIRLINE PART NUMBER | NOMENCLATURE 1234567 | EFF CODE | QTY PER ASSY |
|-------------|---------------|---------------------|--|---|--------------|
| 07- | | | | | |
| -111 | 114T3110-5001 | | DELETED | | |
| -111A | 114T3110-5003 | | DELETED | | |
| -112 | 114T3110-5002 | | DELETED | | |
| -112A | 114T3110-5004 | | DELETED | | |
| 113 | BACR15BA3AD | | ..RIVET- (SIZE DETERMINE ON INST) | X,AA, AF,AG ,AK,A M,D L-ET FE-FK | 260 |
| 116 | NS103225-02 | | ..NUTPLATE- (V80539) (SPEC BACN10KH3) (OPT RMF9209M3 (V72962)) (OPT F29779-3 (V15653)) | X,AA, AF,AG ,AK,A M,D L-ET FE-FK | 1 |
| 119 | BRFM20A3 | | ..NUTPLATE- (V52828) (SPEC BACN10JN3) (OPT MF1000-3BAC (V15653)) (OPT NS103218-02 (V80539)) (OPT RMF9201M3 (V72962)) (OPT VN252A02 (V92215)) (OPT MF1000-3BAC (V15653)) (OPT MF53049-3 (V15653)) | X,AA, AF,AG ,AK,A M,D L-ET FE-FK | 129 |
| 122 | BACR15BA3AD | | .RIVET- (SIZE DETERMINE ON INST) | X,AA, AF,AG ,AK,A M,D L-ET FE-FK | 58 |
| 125 | NS103225-02 | | .NUTPLATE- (V80539) (SPEC BACN10KH3) (OPT RMF9209M3 (V72962)) (OPT F29779-3 (V15653)) | X,AA, AF,AG ,AK,A M,D L-ET FE-FK | 29 |

57-43-37

| FIG. & ITEM | PART NO. | AIRLINE PART NUMBER | NOMENCLATURE 1234567 | EFF CODE | QTY PER ASSY |
|-------------|---------------|---------------------|--|---|--------------|
| 07-128 | BACR15BA3AD | | .RIVET- (USED WITH ITEM 98) (SIZE DETERMINE ON INST) | X,AA, AF,AG ,AK,A M,D L-ET FE-FK | 12 |
| 131 | NS103225-02 | | .NUTPLATE- (V80539) (SPEC BACN10KH3) (OPT RMF9209M3 (V72962)) (OPT F29779-3 (V15653)) (USED WITH ITEM 98) | X,AA, AF,AG ,AK,A M,D L-ET FE-FK | 6 |
| 134 | BACB30NT3K3 | | .BOLT | X,AA, AF,AG ,AK,A M,D L-ET FE-FK | 147 |
| 137 | AN960PD10L | | .WASHER | X,AA, AF,AG ,AK,A M,D L-EF | 147 |
| -137A | NAS1149D0316J | | .WASHER | EG-ET ,FE-F K | 147 |
| 140 | BACB30NN3K6 | | .BOLT | X,AA, AF,AG ,AK,A M,D L-ET FE-FK | 25 |

57-43-37

 ILLUSTRATED PARTS LIST
 01.1 Page 1096Z
 Jul 01/03

| FIG. & ITEM | PART NO. | AIRLINE PART NUMBER | NOMENCLATURE 1234567 | EFF CODE | QTY PER ASSY |
|-------------|-------------|---------------------|-------------------------|---|--------------|
| 07-143 | 114T3101-1 | | .WASHER | X,AA, AF,AG ,AK,A M,D L-ET FE-FK | 12 |
| 146 | 114T3161-11 | | .SKIN-COVE | X,AF, AK,D L-DR, DY,EA ,EJ,E N FG | 1 |
| -146A | 114T3161-39 | | .SKIN-COVE | DZ,EB ,EG,E L,EQ, ES,FE ,FJ | 1 |
| -149 | 114T3161-12 | | .SKIN-COVE | AA,AG ,AM,D S-DX, EC,EE ,EK | 1 |
| -149A | 114T3161-40 | | .SKIN-COVE | EP,FH ED,EF ,EH,E M,ER, ET,FF ,FK | 1 |

57-43-37

| FIG. & ITEM | PART NO. | AIRLINE PART NUMBER | NOMENCLATURE 1234567 | EFF CODE | QTY PER ASSY |
|-------------|-------------|---------------------|---|--|--------------|
| 07-152 | 114T3161-1 | | .SKIN-COVE | X,AF, AK,D L-DR, DY-EB ,EG,E J EL,EN ,EQ,E S,FE, FG,FJ | 1 |
| -155 | 114T3161-2 | | .SKIN-COVE | AA,AG ,AM,D S-DX, EC-EF ,EH EK,EM ,EP,E R,ET, FF,FH ,FK | 1 |
| 158 | BACR15BA3AD | | .RIVET- (SIZE DETERMINE ON INST) | X,AA, AF,AG ,AK,A M,D L-ET FE-FK | 94 |
| 161 | BRFM20A3 | | .NUTPLATE- (V52828) (SPEC BACN10JN3) (OPT MF1000-3BAC (V15653)) (OPT NS103218-02 (V80539)) (OPT RMF9201M3 (V72962)) (OPT VN252A02 (V92215)) (OPT MF1000-3BAC (V15653)) (OPT MF53049-3 (V15653)) | X,AA, AF,AG ,AK,A M,D L-ET FE-FK | 47 |

57-43-37

ILLUSTRATED PARTS LIST
01.1 Page 1098
Jul 01/03

| FIG. & ITEM | PART NO. | AIRLINE PART NUMBER | NOMENCLATURE 1234567 | EFF CODE | QTY PER ASSY |
|-------------|-------------|---------------------|-------------------------|---|--------------|
| 07- | | | | | |
| 164 | BACB30NT3K3 | | DELETED | | |
| 167 | AN960PD10L | | DELETED | | |
| 170 | BACB30NN3K6 | | DELETED | | |
| 173 | 114T3101-1 | | DELETED | | |
| 176 | BACR15BA3AD | | DELETED | | |
| 179 | T8124S3S | | DELETED | | |
| 182 | BACB30NT3K8 | | .BOLT | X,AA, AF,AG ,AK,A M,D L-ET FE-FK | 2 |
| 185 | BACB30NN3K6 | | .BOLT | X,AA, AF,AG ,AK,A M,D L-ET FE-FK | 18 |
| 188 | 114T3101-1 | | .WASHER | X,AA, AF,AG ,AK,A M,D L-ET FE-FK | 8 |
| 191 | 114T3101-2 | | .WASHER | X,AA, AF,AG ,AK,A M,D L-ET FE-FK | 10 |

57-43-37

| FIG. & ITEM | PART NO. | AIRLINE PART NUMBER | NOMENCLATURE 1234567 | EFF CODE | QTY PER ASSY |
|-------------|-------------|---------------------|-------------------------|--|--------------|
| 07-194 | 114T3161-37 | | .SKIN-COVE | X,AF, AK,D L-DR, DY-EB ,EG,E J EL,EN ,EQ,E S,FE, FG,FJ | 1 |
| -197 | 114T3161-38 | | .SKIN-COVE | AA,AG ,AM,D S-DX, EC-EF ,EH EK,EM ,EP,E R,ET, FF,FH ,FK | 1 |
| 200 | 114T3172-13 | | .RIB ASSY-AUX | X,AF, AK,D L-DR, DY-EB ,EG,E J EL,EN ,EQ,E S | 1 |
| -203 | 114T3172-14 | | .RIB ASSY-AUX | AA,AG ,AM,D S-DX, EC-EF ,EH EK,EM ,EP,E R,ET, FF,FH ,FK | 1 |
| | | | ATTACHING PARTS | | |

57-43-37

 ILLUSTRATED PARTS LIST
 01.1 Page 1098B
 Jul 01/03

| FIG. & ITEM | PART NO. | AIRLINE PART NUMBER | NOMENCLATURE 1234567 | EFF CODE | QTY PER ASSY |
|-------------|-------------|---------------------|--|---|--------------|
| R 07-206 | BACB30NU3K3 | | .BOLT | X,AA, AF,AG ,AK,A M,D L-ET FE-FK | 4 |
| R 209 | HL82-6APBW | | .COLLAR- (V73197) (SPEC BACC30AG6) (OPT HL82-6APBW (V92215)) (OPT HL82-6APBW (V56878)) (OPT HL82-6APBW (V5M902)) | X,AA, AF,AG ,AK,A M,D L-ET FE-FK | 4 |
| R 212 | AS46-3 | | .WASHER- (V10630) (SPEC BACW10AU3) (OPT K19701P3 (V15653)) (OPT 53488W1032 (V56878)) (OPT 6073-0 (V72962)) (OPT TLN1020L3W (V08524)) | X,AA, AF,AG ,AK,A M,D L-ET FE-FK | 4 |
| R 215 | H19700P3 | | .NUT- (V15653) (SPEC BACN10MT3) (OPT TLN1020-3N (V08524)) (OPT 52LH6073-02 (V72962)) (OPT 53488-1032 (V56878)) | X,AA, AF,AG ,AK,A M,D L-ET FE-FK | 4 |

57-43-37

| FIG. & ITEM | PART NO. | AIRLINE PART NUMBER | NOMENCLATURE 1234567 | EFF CODE | QTY PER ASSY |
|-------------|------------|---------------------|---|---|--------------|
| 07-218 | BACB30NW6K | | .BOLT- (SIZE DETERMINE ON INST) | X,AA, AF,AG ,AK,A M,D L-ET FE-FK | 22 |
| R 221 | HL82-6APBW | | .COLLAR- (V73197) (SPEC BACC30AG6) (OPT HL82-6APBW (V92215)) (OPT HL82-6APBW (V56878)) (OPT HL82-6APBW (V5M902)) | X,AA, AF,AG ,AK,A M,D L-ET FE-FK | 22 |
| 224 | BACB30NW5K | | .BOLT- (SIZE DETERMINE ON INST) | X,AA, AF,AG ,AK,A M,D L-ET FE-FK | 6 |
| R 227 | HL82-5APBW | | .COLLAR- (V73197) (SPEC BACC30AG5) (OPT HL82-5APBW (V56878)) | X,AA, AF,AG ,AK,A M,D L-ET FE-FK | 6 |
| 230 | HL11VAZ5-5 | | -----*----- .BOLT- (V56878) (SPEC BACB30NW5K5) (OPT B30NW5K5 (V97928)) (OPT HL11VAZ5-5 (V73197)) (OPT HL11VAZ5-5 (V92215)) (OPT HL11VAZ5-5 (V97928)) (OPT L803-5K5 (V06725)) (OPT HL11VAZ5-5 (V0PTK6)) (OPT HL11VAZ5-5 (V60516)) | X,AA, AF,AG ,AK,A M,D L-ET FE-FK | 2 |

57-43-37

 ILLUSTRATED PARTS LIST
 01.1 Page 1098D
 Jul 01/03

| FIG. & ITEM | PART NO. | AIRLINE PART NUMBER | NOMENCLATURE 1234567 | EFF CODE | QTY PER ASSY |
|-------------|--------------|---------------------|---|---|--------------|
| 07-233 | HL11VAZ5-4 | | ..BOLT- (V56878) (SPEC BACB30NW5K4) (OPT B30NW5K4 (V97928)) (OPT HL11VAZ5-4 (V73197)) (OPT HL11VAZ5-4 (V92215)) (OPT HL11VAZ5-4 (V97928)) (OPT L803-5K4 (V06725)) (OPT HL11VAZ5-4 (V0PTK6)) (OPT HL11VAZ5-4 (V60516)) | X,AA, AF,AG ,AK,A M,D L-ET FE-FK | 2 |
| 236 | AN960PD8L | | ..WASHER | X,AA, AF,AG ,AK,A M,D L-ET FE-FK | 4 |
| 239 | BACN10JC08CD | | ..NUT | X,AA, AF,AG ,AK,A M,D L-ET FE-FK | 4 |

57-43-37

| FIG. & ITEM | PART NO. | AIRLINE PART NUMBER | NOMENCLATURE 1234567 | EFF CODE | QTY PER ASSY |
|-------------|----------------|---------------------|--|---|--------------|
| 07-242 | 114T3008-2 | | ..PLATE-RUB | X,AA, AF,AG ,AK,A M,D L-ET FE-FK | 1 |
| 245 | BACB28AP08P019 | | ..BUSHING | X,AA, AF,AG ,AK,A M,D L-ET FE-FK | 2 |
| 248 | BACR15BA3AD | | ..RIVET- (SIZE DETERMINE ON INST) | X,AA, AF,AG ,AK,A M,D L-ET FE-FK | 40 |
| 251 | BRFM20A3 | | ..NUTPLATE- (V52828) (SPEC BACN10JN3) (OPT MF1000-3BAC (V15653)) (OPT NS103218-02 (V80539)) (OPT RMF9201M3 (V72962)) (OPT VN252A02 (V92215)) (OPT MF1000-3BAC (V15653)) (OPT MF53049-3 (V15653)) | X,AA, AF,AG ,AK,A M,D L-ET FE-FK | 2 |
| 254 | NS103225-02 | | ..NUTPLATE- (V80539) (SPEC BACN10KH3) (OPT RMF9209M3 (V72962)) (OPT F29779-3 (V15653)) | X,AA, AF,AG ,AK,A M,D L-ET FE-FK | 18 |

57-43-37

ILLUSTRATED PARTS LIST
01.1 Page 1098F
Jul 01/03

| FIG. & ITEM | PART NO. | AIRLINE PART NUMBER | NOMENCLATURE 1234567 | EFF CODE | QTY PER ASSY |
|-------------|---------------|---------------------|-------------------------|--|--------------|
| 07-257 | 114T3172-15 | | ..RIB | X,AF, AK,D L-DR, DY-EB ,EG,E J EL,EN ,EQ,E S,FE, FG,FJ | 1 |
| -260 | 114T3172-16 | | ..RIB | AA,AG ,AM,D S-DX, EC-EF ,EH EK,EM ,EP,E R,ET, FF,FH ,FK | 1 |
| 263 | BACB30NT3K3 | | .BOLT | X,AA, AF,AG ,AK,A M,D L-ET FE-FK | 62 |
| 266 | AN960PD10L | | .WASHER | X,AA, AF,AG ,AK,A M,D L-EF FE-FK | 62 |
| -266A | NAS1149D0316J | | .WASHER | EG-ET ,FE-F K | 62 |
| 269 | BACB30NN3K6 | | .BOLT | X,AA, AF,AG ,AK,A M,D L-ET FE-FK | 15 |

57-43-37

| FIG. & ITEM | PART NO. | AIRLINE PART NUMBER | NOMENCLATURE 1234567 | EFF CODE | QTY PER ASSY |
|-------------|-------------|---------------------|-------------------------|---|--------------|
| 07-272 | 114T3101-1 | | .WASHER | X,AA, AF,AG ,AK,A M,D L-ET FE-FX | 9 |
| 275 | BACB30NN3K6 | | .BOLT | X,AA, AF,AG ,AK,A M,D L-ET FE-FK | 13 |
| 278 | 114T3101-1 | | .WASHER | X,AA, AF,AG ,AK,A M,D L-ET FE-FK | 2 |
| 281 | 114T3101-2 | | .WASHER | X,AA, AF,AG ,AK,A M,D L-ET FE-FK | 11 |
| 284 | BACB30NT3K8 | | .BOLT | X,AA, AF,AG ,AK,A M,D L-ET FE-FK | 6 |

57-43-37

ILLUSTRATED PARTS LIST
 01.1 Page 1098H
 Jul 01/03

| FIG. & ITEM | PART NO. | AIRLINE PART NUMBER | NOMENCLATURE 1234567 | EFF CODE | QTY PER ASSY |
|-------------|--------------|---------------------|-------------------------|---|--------------|
| 07-287 | 114T3168-5 | | . FILLER-RADII | X,AA, AF,AG ,AK,A M,D L-ET FE-FK | 6 |
| 290 | 114T3161-35 | | . SKIN-COVE | X,AF, AK,D L-DR, DY-EB | 1 |
| -290A | 114T3161-401 | | . SKIN-COVE | EG,EJ ,EL,E N,EQ, ES,FE ,FG FJG | 1 |
| -293 | 114T3161-36 | | . SKIN-COVE | AA,AG ,AM,D S-DX, EC-EF | 1 |
| -293A | 114T3161-402 | | . SKIN-COVE | EH,EK ,EM,E P,ER, ET,FF ,FH FKH | 1 |
| 296 | 114T3161-33 | | . SKIN-COVE | X,AF, AK,D L-DR, DY-EB ,EG,E J EL,EN ,EQ,E S,FE, FG,FJ | 1 |

57-43-37

| FIG. & ITEM | PART NO. | AIRLINE PART NUMBER | NOMENCLATURE 1234567 | EFF CODE | QTY PER ASSY |
|-------------|-------------|---------------------|---|--|--------------|
| 07- -299 | 114T3161-34 | | .SKIN-COVE | AA,AG ,AM,D S-DX, EC-EF ,EH EK,EM ,EP,E R,ET, FF,FH ,FK | 1 |
| 302 | BACR15BA3AD | | .RIVET- (SIZE DETERMINE ON INST) | X,AA, AF,AG ,AK,A M,D L-ET FE-FK | 64 |
| 305 | BRFM20A3 | | .NUTPLATE- (V52828) (SPEC BACN10JN3) (OPT MF1000-3BAC (V15653)) (OPT NS103218-02 (V80539)) (OPT RMF9201M3 (V72962)) (OPT VN252A02 (V92215)) (OPT MF1000-3BAC (V15653)) (OPT MF53049-3 (V15653)) | X,AA, AF,AG ,AK,A M,D L-ET FE-FK | 32 |
| 308 | BACR15BA3AD | | .RIVET- (SIZE DETERMINE ON INST) | X,AA, AF,AG ,AK,A M,D L-ET FE-FK | 4 |

57-43-37

 ILLUSTRATED PARTS LIST
 01.1 Page 1098J
 Jul 01/03

| FIG. & ITEM | PART NO. | AIRLINE PART NUMBER | NOMENCLATURE 1234567 | EFF CODE | QTY PER ASSY |
|-------------|--------------|---------------------|---|---|--------------|
| 07-311 | BRFM20A3 | | .NUTPLATE- (V52828) (SPEC BACN10JN3) (OPT MF1000-3BAC (V15653)) (OPT NS103218-02 (V80539)) (OPT RMF9201M3 (V72962)) (OPT VN252A02 (V92215)) (OPT MF1000-3BAC (V15653)) (OPT MF53049-3 (V15653)) | X,AA, AF,AG ,AK,A M,D L-ET FE-FK | 2 |
| 314 | 114T3171-23 | | .RIB ASSY-AUX | X,AF, AK,D L-DR, DY-EB | 1 |
| -314A | 114T3171-401 | | .RIB ASSY-AUX | EG,EJ ,EL,E N,EQ, ES,FE ,FG FJG | 1 |
| -317 | 114T3171-24 | | .RIB ASSY-AUX | AA,AG ,AM,D S-DX, EC-EF | 1 |
| -317A | 114T3171-402 | | .RIB ASSY-AUX | EH,EK ,EM,E P,ER, ET,FF ,FH FKH | 1 |
| R 320 | BACB30NU3K5 | | ATTACHING PARTS .BOLT | X,AA, AF,AG ,AK,A M,D L-ET FE-FK | 2 |

57-43-37

| FIG. & ITEM | PART NO. | AIRLINE PART NUMBER | NOMENCLATURE 1234567 | EFF CODE | QTY PER ASSY |
|-------------|------------|---------------------|--|---|--------------|
| R 07-323 | HL82-6APBW | | .COLLAR- (V73197) (SPEC BACC30AG6) (OPT HL82-6APBW (V92215)) (OPT HL82-6APBW (V56878)) (OPT HL82-6APBW (V5M902)) | X,AA, AF,AG ,AK,A M,D L-ET FE-FK | 2 |
| R 326 | AS46-3 | | .WASHER- (V10630) (SPEC BACW10AU3) (OPT K19701P3 (V15653)) (OPT 53488W1032 (V56878)) (OPT 6073-0 (V72962)) (OPT TLN1020L3W (V08524)) | X,AA, AF,AG ,AK,A M,D L-ET FE-FK | 2 |
| R 329 | H19700P3 | | .NUT- (V15653) (SPEC BACN10MT3) (OPT TLN1020-3N (V08524)) (OPT 52LH6073-02 (V72962)) (OPT 53488-1032 (V56878)) | X,AA, AF,AG ,AK,A M,D L-ET FE-FK | 2 |

57-43-37

 ILLUSTRATED PARTS LIST
 01.1 Page 1098L
 Jul 01/03

| FIG. & ITEM | PART NO. | AIRLINE PART NUMBER | NOMENCLATURE 1234567 | EFF CODE | QTY PER ASSY |
|-------------|----------------|---------------------|---|---|--------------|
| R 07-332 | BACB30NW6K | | .BOLT- (SIZE DETERMINE ON INST) | X,AA, AF,AG ,AK,A M,D L-ET FE-FK | 34 |
| R 335 | HL82-6APBW | | .COLLAR- (V73197) (SPEC BACC30AG6) (OPT HL82-6APBW (V92215)) (OPT HL82-6APBW (V56878)) (OPT HL82-6APBW (V5M902)) -----*----- | X,AA, AF,AG ,AK,A M,D L-ET FE-FK | 34 |
| 338 | BACB28AP08P019 | | ..BUSHING | X,AA, AF,AG ,AK,A M,D L-ET FE-FK | 2 |
| 341 | HL11VAZ5-5 | | ..BOLT- (V56878) (SPEC BACB30NW5K5) (OPT B30NW5K5 (V97928)) (OPT HL11VAZ5-5 (V73197)) (OPT HL11VAZ5-5 (V92215)) (OPT HL11VAZ5-5 (V97928)) (OPT L803-5K5 (V06725)) (OPT HL11VAZ5-5 (V0PTK6)) (OPT HL11VAZ5-5 (V60516)) | X,AA, AF,AG ,AK,A M,D L-EF | 3 |
| -341A | WC331K5-6 | | ..BOLT- (V60516) (SPEC BACB30YP5K6) | EG-ET ,FE,F K | 3 |

57-43-37

| FIG. & ITEM | PART NO. | AIRLINE PART NUMBER | NOMENCLATURE 1234567 | EFF CODE | QTY PER ASSY |
|-------------|---------------|---------------------|---|---|--------------|
| 07-344 | HL11VAZ5-4 | | ..BOLT- (V56878) (SPEC BACB30NW5K4) (OPT B30NW5K4 (V97928)) (OPT HL11VAZ5-4 (V73197)) (OPT HL11VAZ5-4 (V92215)) (OPT HL11VAZ5-4 (V97928)) (OPT L803-5K4 (V06725)) (OPT HL11VAZ5-4 (V0PTK6)) (OPT HL11VAZ5-4 (V60516)) | X,AA, AF,AG ,AK,A M,D L-EF | 1 |
| -344A | WC331K5-6 | | ..BOLT- (V60516) (SPEC BACB30YP5K6) | EG-ET ,FE,F K | 1 |
| 347 | AN960PD8L | | ..WASHER | X,AA, AF,AG ,AK,A M,D L-EF | 4 |
| -347A | NAS1149DN816J | | ..WASHER | EG-ET ,FE-F K | 4 |
| 350 | BACN10JC08CD | | ..NUT | X,AA, AF,AG ,AK,A M,D L-ET FE-FK | 4 |

57-43-37

 ILLUSTRATED PARTS LIST
 01.1 Page 1098N
 Jul 01/03

| FIG. & ITEM | PART NO. | AIRLINE PART NUMBER | NOMENCLATURE 1234567 | EFF CODE | QTY PER ASSY |
|-------------|----------------|---------------------|--|---|--------------|
| 07-353 | 114T3008-2 | | ..PLATE-RUB | X,AA, AF,AG ,AK,A M,D L-ET FE-FK | 2 |
| 356 | BACR15BA3AD | | ..RIVET- (SIZE DETERMINE ON INST) | X,AA, AF,AG ,AK,A M,D L-ET FE-FK | 44 |
| 359 | BACN10JQ32 | | ..NUTPLATE | X,AA, AF,AG ,AK,A M,D L-EF | 7 |
| -359A | MF19058-3-2BAC | | ..NUTPLATE- (V15653) (SPEC BACN10YF32) | EG-ET ,FE-F K | 7 |
| 362 | NS103225-02 | | ..NUTPLATE- (V80539) (SPEC BACN10KH3) (OPT RMF9209M3 (V72962)) (OPT F29779-3 (V15653)) | X,AA, AF,AG ,AK,A M,D L-ET FE-FK | 15 |
| 365 | NAS1195DD3KH | | ..SHIM | X,AA, AF,AG ,AK,A M,D L-ET FE-FK | 7 |
| 368 | 114T3171-25 | | ..RIB | X,AF, AK,D L-DR, DY-EB | 1 |

57-43-37

| FIG. & ITEM | PART NO. | AIRLINE PART NUMBER | NOMENCLATURE 1234567 | EFF CODE | QTY PER ASSY |
|--------------|---------------|---------------------|-------------------------|---|--------------|
| 07- -368A | 114T3171-403 | | ..RIB | EG,EJ ,EL,E N,EQ, ES,FE ,FG FJG | 1 |
| -371 | 114T3171-26 | | ..RIB | AA,AG ,AM,D S-DX, EC-EF | 1 |
| -371A | 114T3171-404 | | ..RIB | EH,EK ,EM,E P,ER, ET,FF ,FH FKH | 1 |
| 374 | BACB30NT3K3 | | .BOLT | X,AA, AF,AG ,AK,A M,D L-ET FE-FK | 120 |
| 377 | AN960PD10L | | .WASHER | X,AA, AF,AG ,AK,A M,D L-EF | 120 |
| -377A | NAS1149D0316J | | .WASHER | EG-ET ,FE-F K | 120 |
| 380 | BACB30NN3K6 | | .BOLT | X,AA, AF,AG ,AK,A M,D L-ET FE-FK | 22 |
| 383 | 114T3101-1 | | .WASHER | X,AA, AF,AG ,AK,A M,D L-ET FE-FK | 5 |

57-43-37

 ILLUSTRATED PARTS LIST
 01.1 Page 1098P
 Jul 01/03

| FIG. & ITEM | PART NO. | AIRLINE PART NUMBER | NOMENCLATURE 1234567 | EFF CODE | QTY PER ASSY |
|-------------|-------------|---------------------|---|---|--------------|
| 07-386 | BACR15BA3AD | | .RIVET- (SIZE DETERMINE ON INST) | X,AA, AF,AG ,AK,A M,D L-ET FE-FK | 92 |
| 389 | BRFM20A3 | | .NUTPLATE- (V52828) (SPEC BACN10JN3) (OPT MF1000-3BAC (V15653)) (OPT NS103218-02 (V80539)) (OPT RMF9201M3 (V72962)) (OPT VN252A02 (V92215)) (OPT MF1000-3BAC (V15653)) (OPT MF53049-3 (V15653)) | X,AA, AF,AG ,AK,A M,D L-ET FE-FK | 46 |
| 392 | BACB30NN3K6 | | .BOLT | X,AA, AF,AG ,AK,A M,D L-ET FE-FK | 19 |
| 395 | 114T3101-1 | | .WASHER | X,AA, AF,AG ,AK,A M,D L-ET FE-FK | 7 |

57-43-37

| FIG. & ITEM | PART NO. | AIRLINE PART NUMBER | NOMENCLATURE 1234567 | EFF CODE | QTY PER ASSY |
|-------------|---------------|---------------------|-------------------------|---|--------------|
| 07-398 | 114T3101-2 | | .WASHER | X,AA, AF,AG ,AK,A M,D L-ET FE-FK | 13 |
| 401 | BACB30NT3K3 | | .BOLT | X,AA, AF,AG ,AK,A M,D L-ET FE-FK | 3 |
| 404 | AN960PD10L | | .WASHER | X,AA, AF,AG ,AK,A M,D L-EF | 3 |
| -404A | NAS1149D0316J | | .WASHER | EG-ET ,FE-F K | 3 |
| 407 | BACB30NT3K8 | | .BOLT | X,AA, AF,AG ,AK,A M,D L-ET FE-FK | 5 |
| 410 | 114T3168-5 | | .FILLER-RADII | X,AA, AF,AG ,AK,A M,D L-ET FE-FK | 5 |

57-43-37

ILLUSTRATED PARTS LIST
01.1 Page 1098R
Jul 01/03

| FIG. & ITEM | PART NO. | AIRLINE PART NUMBER | NOMENCLATURE 1234567 | EFF CODE | QTY PER ASSY |
|-------------|-------------|---------------------|---|---|--------------|
| 07-413 | BACR15BA3AD | | .RIVET- (SIZE DETERMINE ON INST) | X,AA, AF,AG ,AK,A M,D L-ET FE-FK | 4 |
| 416 | BRFM20A3 | | .NUTPLATE- (V52828) (SPEC BACN10JN3) (OPT MF1000-3BAC (V15653)) (OPT NS103218-02 (V80539)) (OPT RMF9201M3 (V72962)) (OPT VN252A02 (V92215)) (OPT MF1000-3BAC (V15653)) (OPT MF53049-3 (V15653)) | X,AA, AF,AG ,AK,A M,D L-ET FE-FK | 2 |
| 419 | 114T3161-31 | | .SKIN-COVE | X,AF, AK,D L-DR, DY-EB ,EG,E J EL,EN ,EQ,E S,FE, FG,FJ AA,AG ,AM,D S-DX, EC-EF ,EH EK,EM ,EP,E R,ET, FF,FH ,FK | 1 |
| -422 | 114T3161-32 | | .SKIN-COVE | X,AF, AK,D L-DR, DY-EB ,EG,E J EL,EN ,EQ,E S,FE, FG,FJ AA,AG ,AM,D S-DX, EC-EF ,EH EK,EM ,EP,E R,ET, FF,FH ,FK | 1 |

57-43-37

| FIG. & ITEM | PART NO. | AIRLINE PART NUMBER | NOMENCLATURE 1234567 | EFF CODE | QTY PER ASSY |
|-------------|--------------|---------------------|-------------------------|--|--------------|
| 07-425 | 114T3161-29 | | .SKIN-COVE | X,AF, AK,D L-DR, DY-EB ,EG,E J EL,EN ,EQ,E S,FE, FG,FJ | 1 |
| -428 | 114T3161-30 | | .SKIN-COVE | AA,AG ,AM,D S-DX, EC-EF ,EH EK,EM ,EP,E R,ET, FF,FH ,FK | 1 |
| 431 | 114T3170-25 | | .RIB ASSY-AUX | X,AF, AK,D L-DR, DY-EB | 1 |
| -431A | 114T3170-401 | | .RIB ASSY-AUX | EG,EJ ,EL,E N,FE, FG | 1 |
| R -431B | 114T3170-405 | | .RIB ASSY-AUX | EQ,ES ,FJ | 1 |
| -434 | 114T3170-26 | | .RIB ASSY-AUX | AA,AG ,AM,D S-DX, EC-EF | 1 |
| -434A | 114T3170-402 | | .RIB ASSY-AUX | EH,EK ,EM,E P,FF, FH | 1 |
| R -434B | 114T3170-406 | | .RIB ASSY-AUX | ER,ET ,FK | 1 |
| | | | ATTACHING PARTS | | |

57-43-37

 ILLUSTRATED PARTS LIST
 01.1 Page 1098T
 Jul 01/03

| FIG. & ITEM | PART NO. | AIRLINE PART NUMBER | NOMENCLATURE 1234567 | EFF CODE | QTY PER ASSY |
|-------------|-------------|---------------------|--|---|--------------|
| R 07-437 | BACB30NU3K4 | | .BOLT | X,AA, AF,AG ,AK,A M,D L-ET FE-FK | 2 |
| R 440 | HL82-6APBW | | .COLLAR- (V73197) (SPEC BACC30AG6) (OPT HL82-6APBW (V92215)) (OPT HL82-6APBW (V56878)) (OPT HL82-6APBW (V5M902)) | X,AA, AF,AG ,AK,A M,D L-ET FE-FK | 2 |
| R 443 | AS46-3 | | .WASHER- (V10630) (SPEC BACW10AU3) (OPT K19701P3 (V15653)) (OPT 53488W1032 (V56878)) (OPT 6073-0 (V72962)) (OPT TLN1020L3W (V08524)) | X,AA, AF,AG ,AK,A M,D L-ET FE-FK | 2 |
| R 446 | H19700P3 | | .NUT- (V15653) (SPEC BACN10MT3) (OPT TLN1020-3N (V08524)) (OPT 52LH6073-02 (V72962)) (OPT 53488-1032 (V56878)) | X,AA, AF,AG ,AK,A M,D L-ET FE-FK | 2 |

57-43-37

| FIG. & ITEM | PART NO. | AIRLINE PART NUMBER | NOMENCLATURE 1234567 | EFF CODE | QTY PER ASSY |
|-------------|----------------|---------------------|--|---|--------------|
| R 07-449 | BACB30NW6K | | .BOLT- (SIZE DETERMINE ON INST) | X,AA, AF,AG ,AK,A M,D L-ET FE-FK | 24 |
| R 452 | HL82-6APBW | | .COLLAR- (V73197) (SPEC BACC30AG6) (OPT HL82-6APBW (V92215)) (OPT HL82-6APBW (V56878)) (OPT HL82-6APBW (V5M902)) | X,AA, AF,AG ,AK,A M,D L-ET FE-FK | 24 |
| R 455 | BACB30NN5K | | .BOLT- (SIZE DETERMINE ON INST) | X,AA, AF,AG ,AK,A M,D L-ET FE-FK | 14 |
| R 458 | HL82-5APBW | | .COLLAR- (V73197) (SPEC BACC30AG5) (OPT HL82-5APBW (V56878)) | X,AA, AF,AG ,AK,A M,D L-ET FE-FK | 14 |
| 461 | BACB28AP08P019 | | -----*----- .BUSHING | X,AA, AF,AG ,AK,A M,D L-ET FE-FK | 2 |

57-43-37

 ILLUSTRATED PARTS LIST
 01.1 Page 1098V
 Jul 01/03

| FIG. & ITEM | PART NO. | AIRLINE PART NUMBER | NOMENCLATURE 1234567 | EFF CODE | QTY PER ASSY |
|-------------|------------|---------------------|---|--|--------------|
| R 07-464 | HL11VAZ5-5 | | ..BOLT- (V56878) (SPEC BACB30NW5K5) (OPT B30NW5K5 (V97928)) (OPT HL11VAZ5-5 (V73197)) (OPT HL11VAZ5-5 (V92215)) (OPT HL11VAZ5-5 (V97928)) (OPT L803-5K5 (V06725)) (OPT HL11VAZ5-5 (V0PTK6)) (OPT HL11VAZ5-5 (V60516)) | X,AA, AF,AG ,AK,A M,D L-EF | 1 |
| R -464A | WC331K5-6 | | ..BOLT- (V60516) (SPEC BACB30YP5K6) | EG-ET ,FE-F K | 1 |
| R 465 | HL11VAZ5-5 | | ..BOLT- (V56878) (SPEC BACB30NW5K5) (OPT B30NW5K5 (V97928)) (OPT HL11VAZ5-5 (V73197)) (OPT HL11VAZ5-5 (V92215)) (OPT HL11VAZ5-5 (V97928)) (OPT L803-5K5 (V06725)) (OPT HL11VAZ5-5 (V0PTK6)) (OPT HL11VAZ5-5 (V60516)) | X,AA, AF,AG ,AK,A M,D L-EF | 1 |

57-43-37

| FIG. & ITEM | PART NO. | AIRLINE PART NUMBER | NOMENCLATURE 1234567 | EFF CODE | QTY PER ASSY |
|-------------|------------|---------------------|---|--|--------------|
| R 07-465A | WC331K5-6 | | ..BOLT- (V60516) (SPEC BACB30YP5K6) | EG-EP ,FE,F F,FG, FH | 1 |
| R -465B | WC331K5-7 | | ..BOLT- (V60516) (SPEC BACB30YP5K7) | EQ-ET ,FJ,F K | 1 |
| R 466 | HL11VAZ5-4 | | ..BOLT- (V56878) (SPEC BACB30NW5K4) (OPT B30NW5K4 (V97928)) (OPT HL11VAZ5-4 (V73197)) (OPT HL11VAZ5-4 (V92215)) (OPT HL11VAZ5-4 (V97928)) (OPT L803-5K4 (V06725)) (OPT HL11VAZ5-4 (V0PTK6)) (OPT HL11VAZ5-4 (V60516)) | X,AA, AF,AG ,AK,A M,D L-EF | 1 |
| R -466A | WC331K5-6 | | ..BOLT- (V60516) (SPEC BACB30YP5K6) | EG-ET ,FE-F K | 1 |
| R 467 | HL11VAZ5-4 | | ..BOLT- (V56878) (SPEC BACB30NW5K4) (OPT B30NW5K4 (V97928)) (OPT HL11VAZ5-4 (V73197)) (OPT HL11VAZ5-4 (V92215)) (OPT HL11VAZ5-4 (V97928)) (OPT L803-5K4 (V06725)) (OPT HL11VAZ5-4 (V0PTK6)) (OPT HL11VAZ5-4 (V60516)) | X,AA, AF,AG ,AK,A M,D L-EF | 1 |

57-43-37

 ILLUSTRATED PARTS LIST
 01.1 Page 1098X
 Jul 01/03

| FIG. & ITEM | PART NO. | AIRLINE PART NUMBER | NOMENCLATURE 1234567 | EFF CODE | QTY PER ASSY |
|-------------|---------------|---------------------|---|---|--------------|
| R 07-467A | WC331K5-4 | | ..BOLT- (V60516) (SPEC BACB30YP5K4) | EG-EP ,FE,F F,FG, FH | 1 |
| R -467B | WC331K5-7 | | ..BOLT- (V60516) (SPEC BACB30YP5K7) | EQ-ET ,FJ,F K | 1 |
| R 470 | AN960PD8L | | ..WASHER | X,AA, AF,AG ,AK,A M,D L-EF | 2 |
| R -470A | NAS1149DN816J | | ..WASHER | EG-ET ,FE-F K | 2 |
| R 471 | AN960PD8L | | ..WASHER | X,AA, AF,AG ,AK,A M,D L-EF | 2 |
| R -471A | NAS1149DN816J | | ..WASHER | EG-EP ,FE,F F,FG, FH | 2 |
| R 472 | BACS40U3L5 | | ..SHIM | EQ-ET ,FJ,F K | 1 |
| 473 | BACN10JC08CD | | ..NUT | X,AA, AF,AG ,AK,A M,D L-ET FE-FK | 4 |

57-43-37

| FIG. & ITEM | PART NO. | AIRLINE PART NUMBER | NOMENCLATURE 1234567 | EFF CODE | QTY PER ASSY |
|-------------|----------------|---------------------|--|---|--------------|
| R 07-474 | 114T3006-41 | | ..TARGET-PROXIMITY SENSOR | EQ,ES ,FJ | 1 |
| R -474L | 114T3006-42 | | ..TARGET-PROXIMITY SENSOR | ER,ET ,FK | 1 |
| 476 | 114T3008-2 | | ..PLATE-RUB | X,AA, AF,AG ,AK,A M,D L-ET FE-FK | 2 |
| 479 | BACR15BA3AD | | ..RIVET- (SIZE DETERMINE ON INST) | X,AA, AF,AG ,AK,A M,D L-ET FE-FK | 60 |
| 482 | BACN10JQ32 | | ..NUTPLATE | X,AA, AF,AG ,AK,A M,D L-EF | 4 |
| -482A | MF19058-3-2BAC | | ..NUTPLATE- (V15653) (SPEC BACN10YF32) | EG-ET ,FE-F K | 4 |
| 485 | BRFM20A3 | | ..NUTPLATE- (V52828) (SPEC BACN10JN3) (OPT MF1000-3BAC (V15653)) (OPT NS103218-02 (V80539)) (OPT RMF9201M3 (V72962)) (OPT VN252A02 (V92215)) (OPT MF1000-3BAC (V15653)) (OPT MF53049-3 (V15653)) | X,AA, AF,AG ,AK,A M,D L-ET FE-FK | 6 |

57-43-37

 ILLUSTRATED PARTS LIST
 01.1 Page 1098Z
 Jul 01/03

| FIG. & ITEM | PART NO. | AIRLINE PART NUMBER | NOMENCLATURE 1234567 | EFF CODE | QTY PER ASSY |
|-------------|--------------|---------------------|--|---|--------------|
| 07-488 | NS103225-02 | | ..NUTPLATE- (V80539) (SPEC BACN10KH3) (OPT RMF9209M3 (V72962)) (OPT F29779-3 (V15653)) | X,AA, AF,AG ,AK,A M,D L-ET FE-FK | 20 |
| 491 | NAS1195DD3KH | | ..SHIM | X,AA, AF,AG ,AK,A M,D L-ET FE-FK | 9 |
| 494 | 114T3170-27 | | ..RIB | X,AF, AK,D L-DR, DY-EB | 1 |
| -494A | 114T3170-403 | | ..RIB | EG,EJ ,EL,E N,EQ, ES,FE ,FG FJG | 1 |
| -497 | 114T3170-28 | | ..RIB | AA,AG ,AM,D S-DX, EC-EF | 1 |
| -497A | 114T3170-404 | | ..RIB | EH,EK ,EM,E P,ER, ET,FF ,FG FJG | 1 |

57-43-37

| FIG. & ITEM | PART NO. | AIRLINE PART NUMBER | NOMENCLATURE 1234567 | EFF CODE | QTY PER ASSY |
|-------------|-------------|---------------------|--|---|--------------|
| 07-500 | BACR15CE5KE | | .RIVET- (SIZE DETERMINE ON INST) | X,AA, AF,AG ,AK,A M,D L-ET FE-FK | 112 |
| 505 | BACR15BA5A | | .RIVET- (SIZE DETERMINE ON INST) | X,AA, AF,AG ,AK,A M,D L-ET FE-FK | 6 |
| 510 | BACB30NW5K | | .BOLT- (SIZE DETERMINE ON INST) | X,AA, AF,AG ,AK,A M,D L-ET FE-FK | 90 |
| 515 | BACR15CE5AD | | .RIVET- (SIZE DETERMINE ON INST) | X,AA, AF,AG ,AK,A M,D L-ET FE-FK | 10 |
| 520 | BACW10DM5P | | .WASHER | X,AA, AF,AG ,AK,A M,D L-ET FE-FK | 17 |
| 525 | HL70-5 | | .COLLAR- (V56878) (SPEC BACC30M5) (OPT HL70-5 (V73197)) (OPT HL70-5 (V92215)) (OPT 66014-5 (V56878)) (OPT HL79-5 (V5M902)) | X,AA, AF,AG ,AK,A M,D L-ET FE-FK | 90 |

57-43-37

ILLUSTRATED PARTS LIST
 01.1 Page 1100
 Jul 01/03

| FIG. & ITEM | PART NO. | AIRLINE PART NUMBER | NOMENCLATURE 1234567 | EFF CODE | QTY PER ASSY |
|-------------|--------------|---------------------|--------------------------------------|---|--------------|
| 07-530 | 114T3162-5 | | .PANEL ASSY-CLOSE OUT | X,AF, AK,D L-DR, DY,EA | 1 |
| -530A | 114T3162-13 | | .PANEL ASSY-CLOSE OUT | DZ,EB | 1 |
| -530B | 114T3162-401 | | .PANEL ASSY-CLOSE OUT | EG,EQ | 1 |
| -530C | 114T3162-403 | | .PANEL ASSY-CLOSE OUT | EJ | 1 |
| R -530D | 114T3162-405 | | .PANEL ASSY-CLOSE OUT | EL,ES | 1 |
| R -530E | 114T3162-407 | | .PANEL ASSY-CLOSE OUT | EN | 1 |
| R -530F | 114T3162-409 | | .PANEL ASSY-CLOSE OUT | FE,FJ | 1 |
| R -530G | 114T3162-411 | | .PANEL ASSY-CLOSE OUT | FG | 1 |
| -535 | 114T3162-6 | | .PANEL ASSY-CLOSE OUT | AA,AG ,AM,D S-DX, EC,EE | 1 |
| -535A | 114T3162-14 | | .PANEL ASSY-CLOSE OUT | ED,EF | 1 |
| -535B | 114T3162-402 | | .PANEL ASSY-CLOSE OUT | EH,ER | 1 |
| -535C | 114T3162-404 | | .PANEL ASSY-CLOSE OUT | EK | 1 |
| R -535D | 114T3162-406 | | .PANEL ASSY-CLOSE OUT | EM,ET | 1 |
| R -535E | 114T3162-408 | | .PANEL ASSY-CLOSE OUT | EP | 1 |
| R -535F | 114T3162-410 | | .PANEL ASSY-CLOSE OUT | FF,FK | 1 |
| R -535G | 114T3162-412 | | .PANEL ASSY-CLOSE OUT | FH | 1 |
| 540 | BACB30NW5K | | ..BOLT- (SIZE DETERMINE ON INST) | X,AA, AF,AG ,AK,A M,D L-ET FE-FK | 124 |
| 545 | BACR15BA5AD | | ..RIVET- (SIZE DETERMINE ON INST) | X,AA, AF,AG ,AK,A M,D L-ET FE-FK | 6 |
| 550 | BACW10DM5P | | ..WASHER | X,AA, AF,AG ,AK,A M,D L-ET FE-FK | 103 |

57-43-37

| FIG. & ITEM | PART NO. | AIRLINE PART NUMBER | NOMENCLATURE 1234567 | EFF CODE | QTY PER ASSY |
|-------------|-------------|---------------------|---|---|--------------|
| 07-555 | HL70-5 | | ..COLLAR- (V56878) (SPEC BACC30M5) (OPT HL70-5 (V73197)) (OPT HL70-5 (V92215)) (OPT 66014-5 (V56878)) (OPT HL79-5 (V5M902)) | X,AA, AF,AG ,AK,A M,D L-ET FE-FK | 124 |
| 560 | 114T3162-9 | | ..COVER-GAP | X,AA, AF,AG ,AK,A M,D L-ET FE-FK | 1 |
| 565 | 114T3162-10 | | ..COVER-GAP | X,AA, AF,AG ,AK,A M,D L-ET FE-FK | 1 |
| 570 | 114T3165-9 | | ..SKIN | X,AF, AK,D L-DR, DY,EA ,EJ | 1 |
| -570A | 114T3165-11 | | ..SKIN | DZ,EB ,EG,E Q | 1 |
| R -570B | 114T3165-21 | | ..SKIN | EL,ES ,FE,F J | 1 |
| R -570C | 114T3165-19 | | ..SKIN | EN,FG | 1 |

57-43-37

 ILLUSTRATED PARTS LIST
 01.1 Page 1100B
 Jul 01/03

| FIG. & ITEM | PART NO. | AIRLINE PART NUMBER | NOMENCLATURE 1234567 | EFF CODE | QTY PER ASSY |
|-------------|-------------|---------------------|-------------------------|---|--------------|
| 07- -575 | 114T3165-10 | | ..SKIN | AA,AG ,AM,D S-DX, EC,EE ,EK | 1 |
| -575A | 114T3165-12 | | ..SKIN | ED,EF ,EH,E R | 1 |
| R -575B | 114T3165-22 | | ..SKIN | EM,ET ,FF,F K | 1 |
| R -575C | 114T3165-20 | | ..SKIN | EP,FH | 1 |
| 580 | 114T3165-7 | | ..SKIN | X,AF, AK,D L-DR, DY-EB ,EG,E J EQ | 1 |
| R -580A | 114T3165-17 | | ..SKIN | EL,EN ,ES, FE,FG ,FJ | 1 |
| -585 | 114T3165-8 | | ..SKIN | AA,AG ,AM,D S-DX, EC-EF ,EH EK,ER | 1 |
| R -585A | 114T3165-18 | | ..SKIN | EM,EP ,ET,F F,FH, FK | 1 |

57-43-37

| FIG. & ITEM | PART NO. | AIRLINE PART NUMBER | NOMENCLATURE 1234567 | EFF CODE | QTY PER ASSY |
|-------------|-------------|---------------------|-------------------------|---|--------------|
| 07-590 | 114T3165-3 | | ..SKIN | X,AF, AK,D L-DR, DY-EB ,EG,E J EQ | 1 |
| R -590A | 114T3165-15 | | ..SKIN | EL,EN ,ES, FE,FG ,FJ | 1 |
| -595 | 114T3165-4 | | ..SKIN | AA,AG ,AM,D S-DX, EC-EF ,EH EK,ER | 1 |
| R -595A | 114T3165-16 | | ..SKIN | EM,EP ,ET,F F,FH, FK | 1 |
| 600 | 114T3165-1 | | ..SKIN | X,AF, AK,D L-DR, DY-EB ,EG,E J EQ | 1 |
| R -600A | 114T3165-13 | | ..SKIN | EL,EN ,ES, FE,FG ,FJ | 1 |

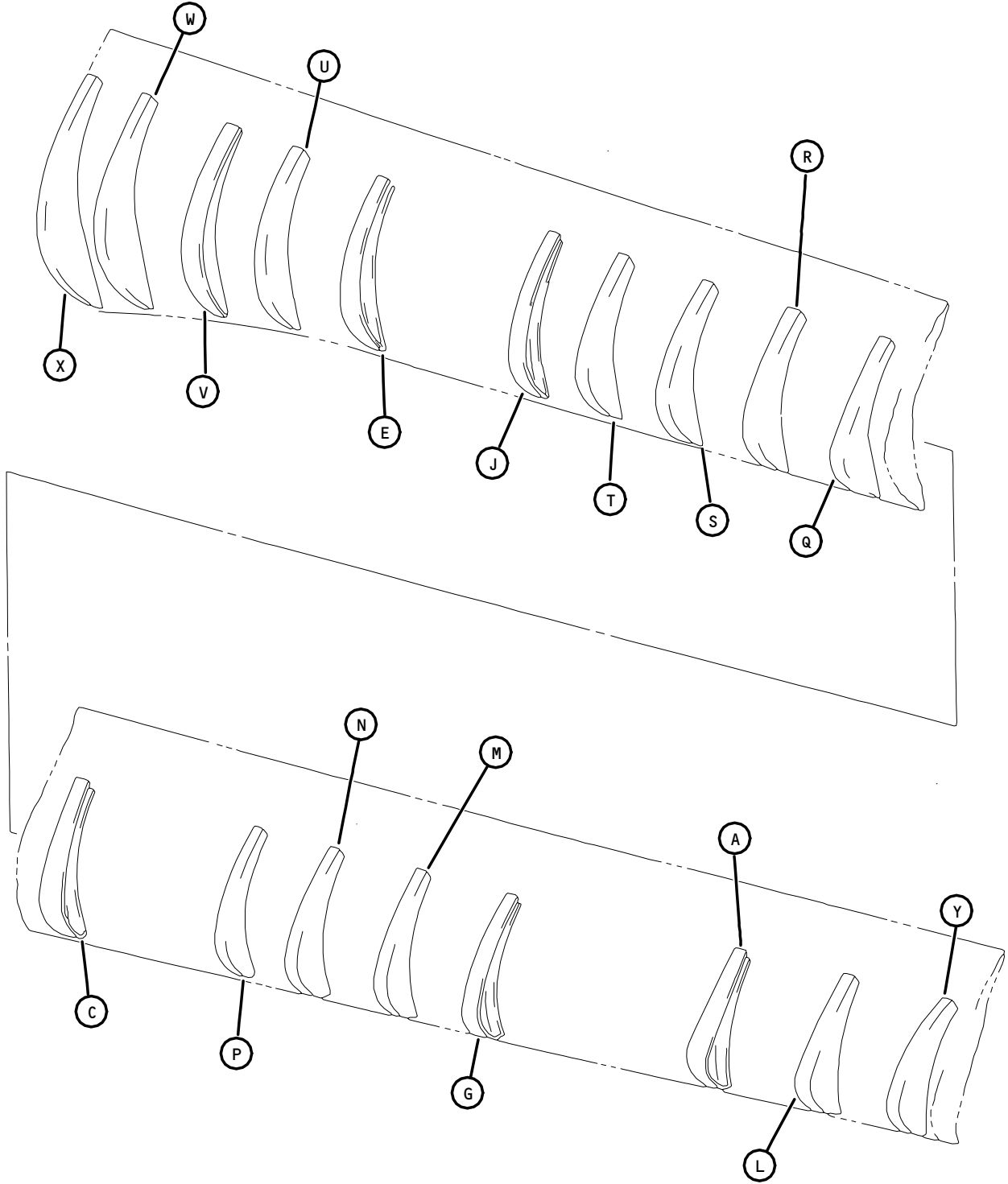
57-43-37

 ILLUSTRATED PARTS LIST
 01.1 Page 1100D
 Jul 01/03

| FIG. & ITEM | PART NO. | AIRLINE PART NUMBER | NOMENCLATURE | EFF CODE | QTY PER ASSY |
|-------------|-------------|---------------------|--------------|--|--------------|
| | | | 1234567 | | |
| 07- -605 | 114T3165-2 | | ..SKIN | AA,AG ,AM,D S-DX, EC-EF ,EH EK,ER | 1 |
| R -605A | 114T3165-14 | | ..SKIN | EM,EP ,ET,F F,FH, FK | 1 |

- Item Not Illustrated

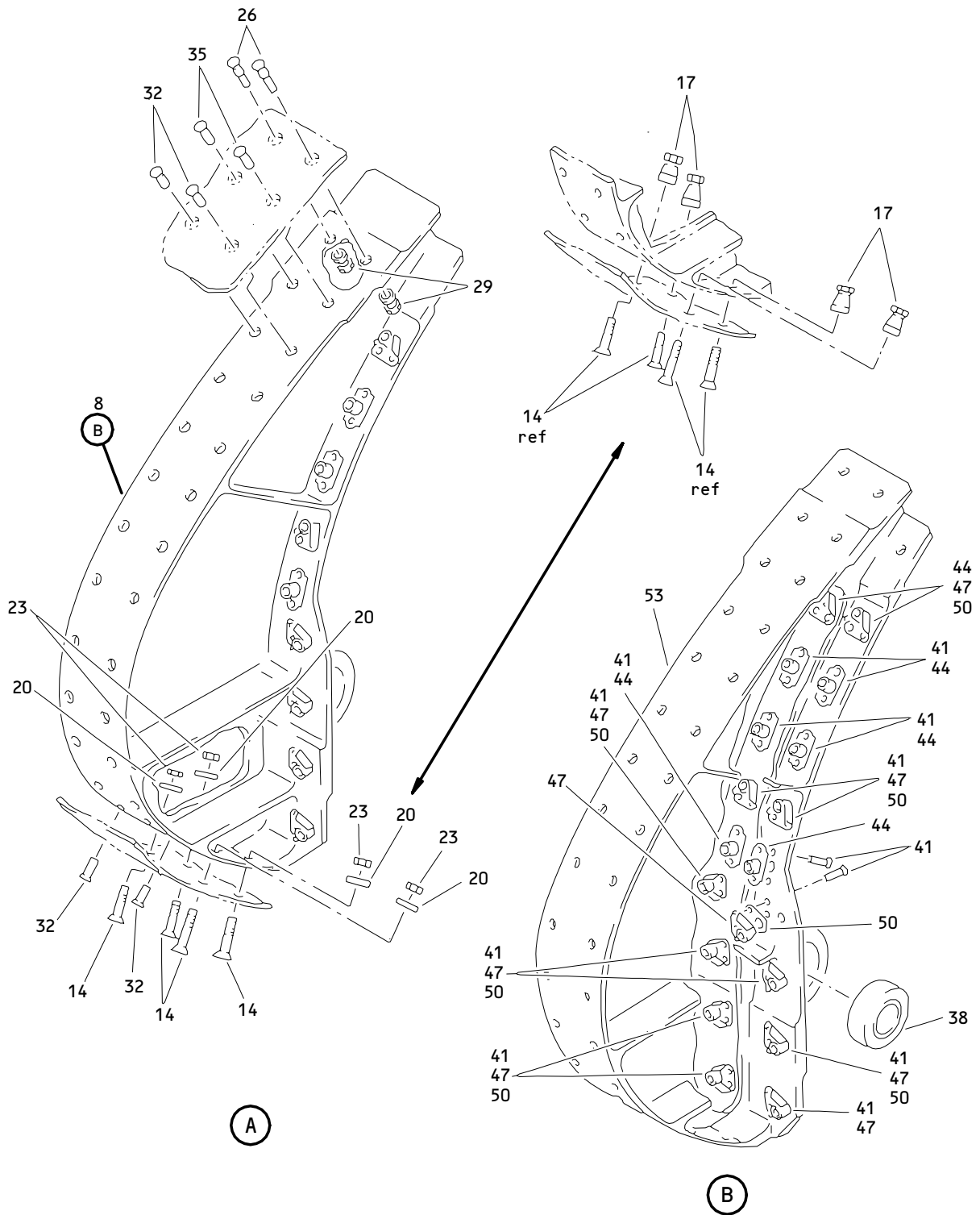
57-43-37



Inboard Slat No. 6 and 7 Wing Leading Edge Structure Assembly
Figure 8 (Sheet 1)

57-43-37

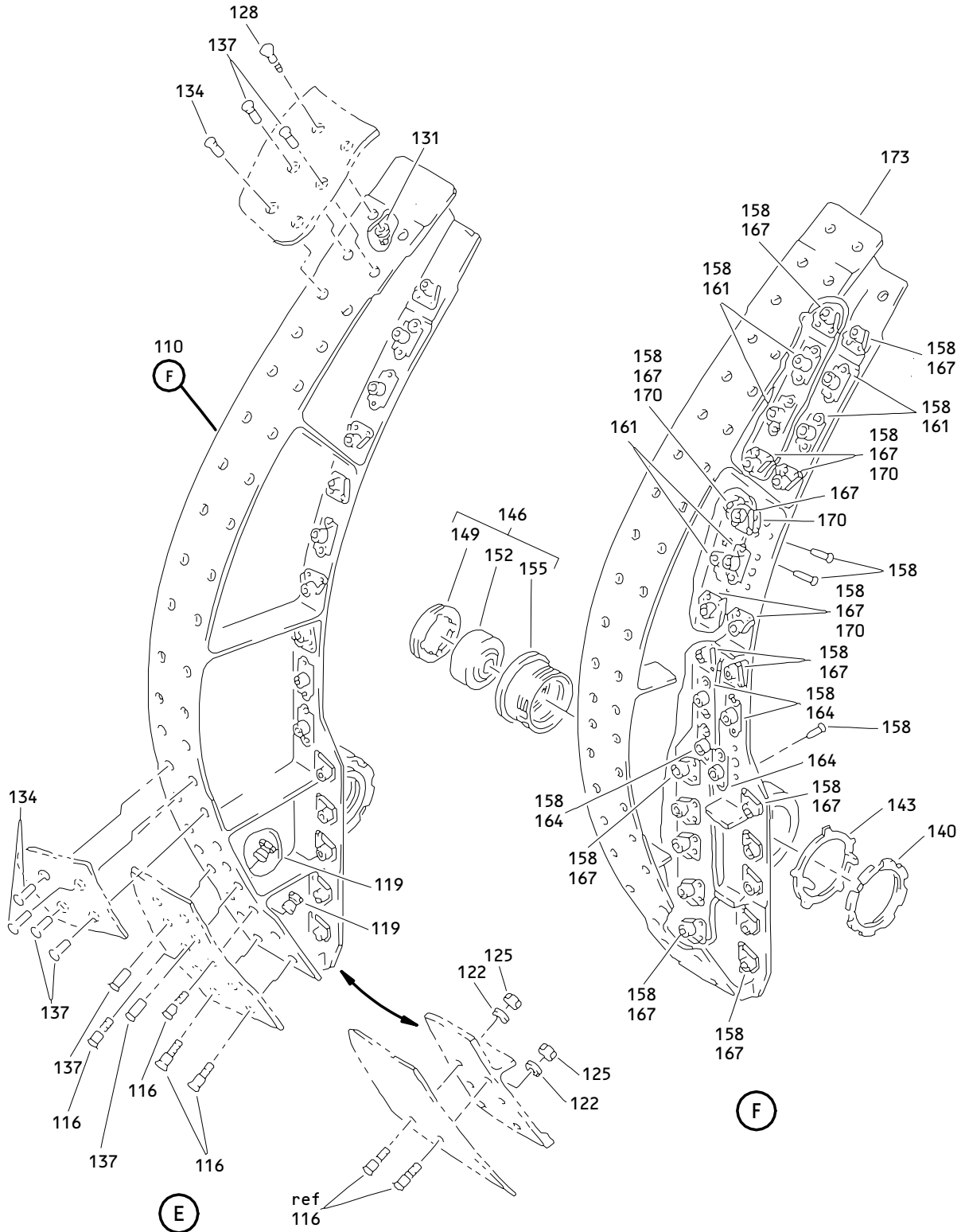
ILLUSTRATED PARTS LIST
01.1 Page 1100G
Jul 01/03



Inboard Slat No. 6 and 7 Wing Leading Edge Structure Assembly
 Figure 8 (Sheet 2)

57-43-37

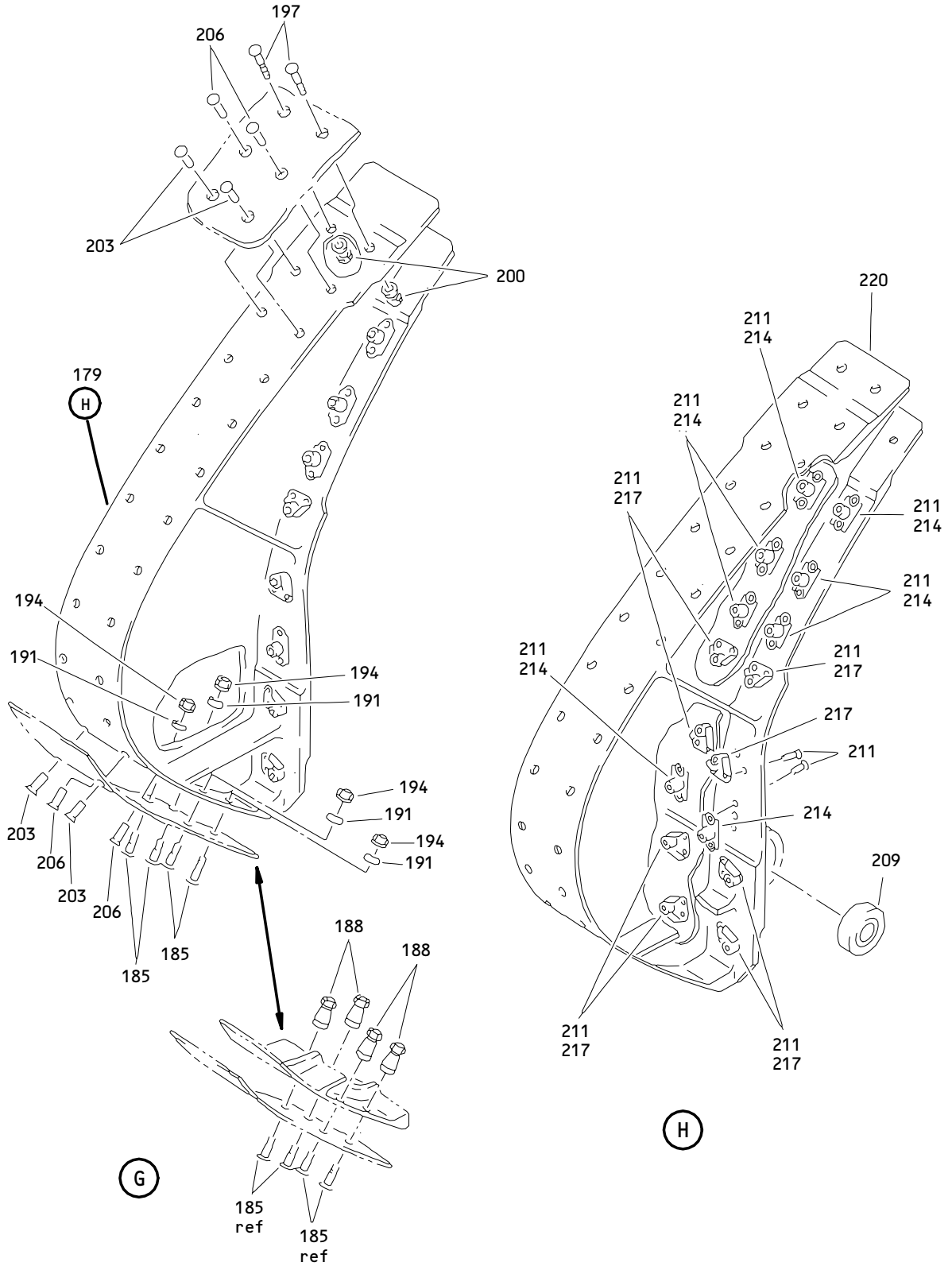
ILLUSTRATED PARTS LIST
 01.1 Page 1100H
 Jul 01/03



Inboard Slat No. 6 and 7 Wing Leading Edge Structure Assembly
 Figure 8 (Sheet 4)

57-43-37

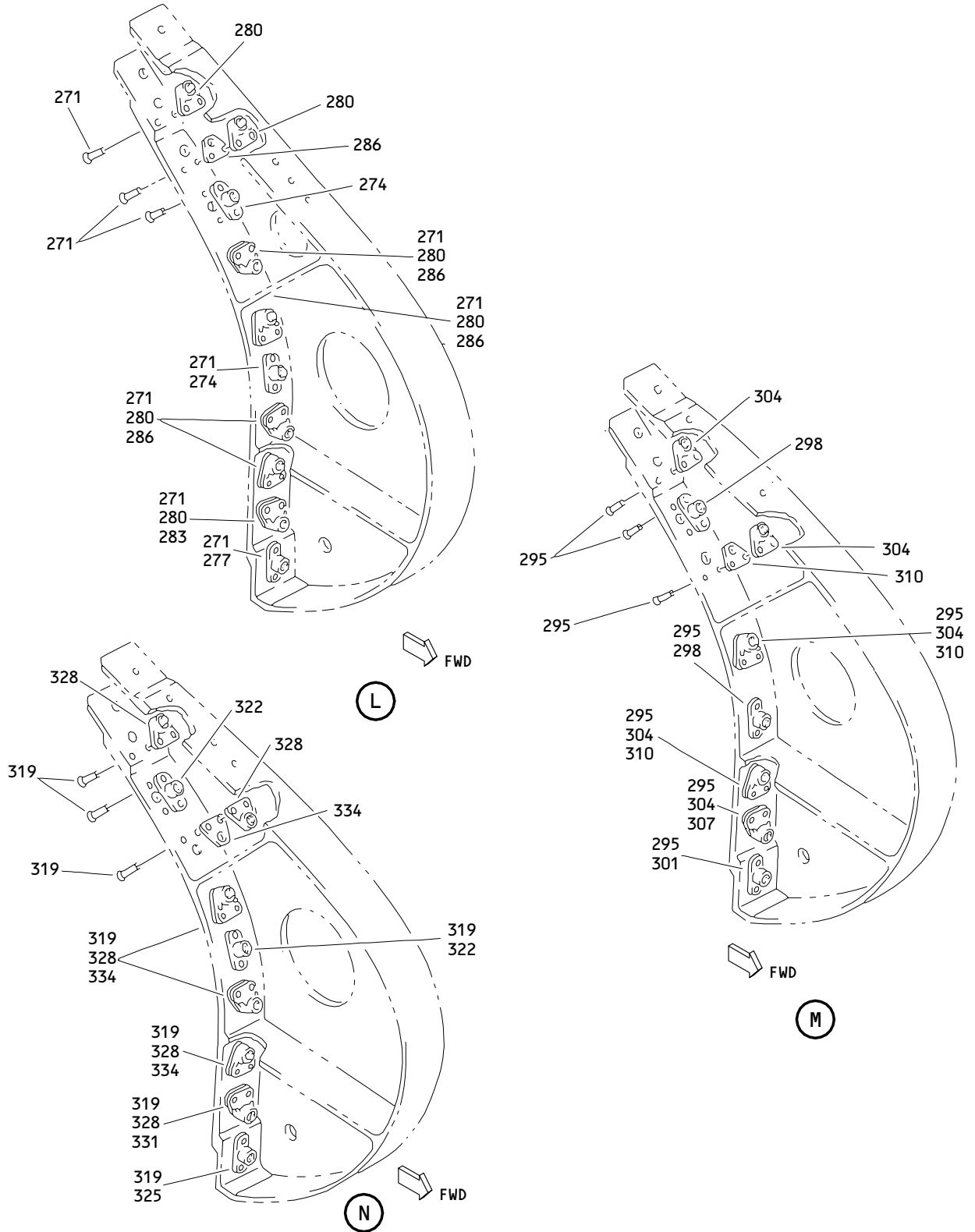
ILLUSTRATED PARTS LIST
 01.1 Page 1100J
 Jul 01/03



Inboard Slat No. 6 and 7 Wing Leading Edge Structure Assembly
Figure 8 (Sheet 5)

57-43-37

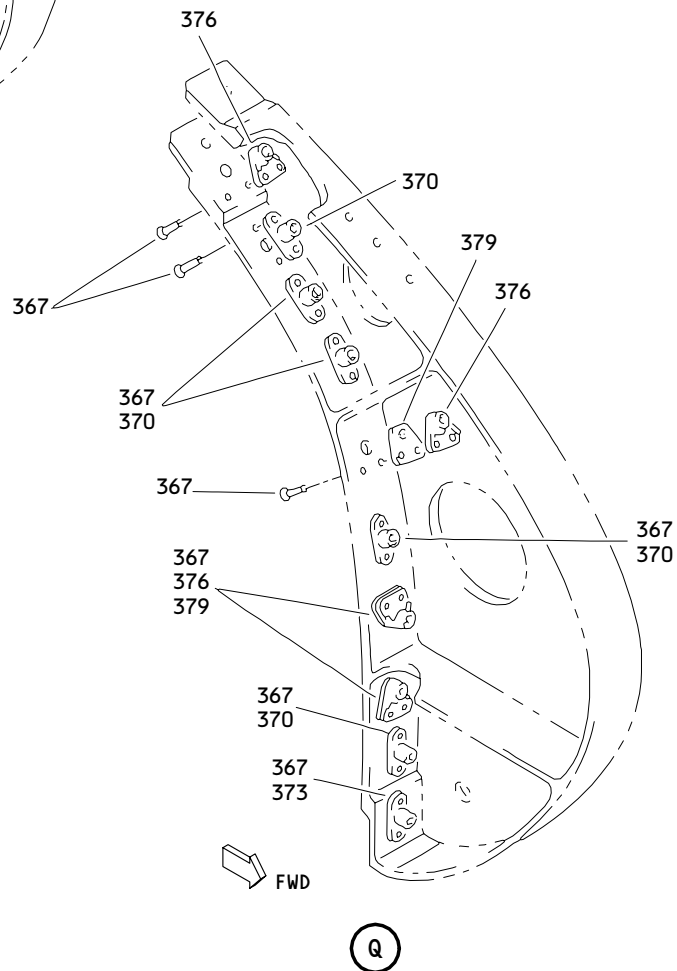
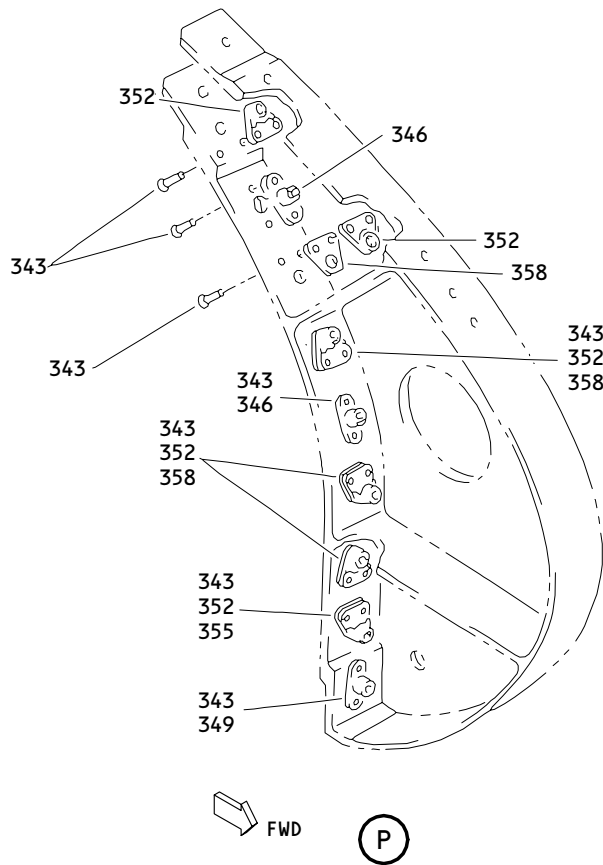
ILLUSTRATED PARTS LIST
01.1 Page 1100K
Jul 01/03



Inboard Slat No. 6 and 7 Wing Leading Edge Structure Assembly
 Figure 8 (Sheet 7)

57-43-37

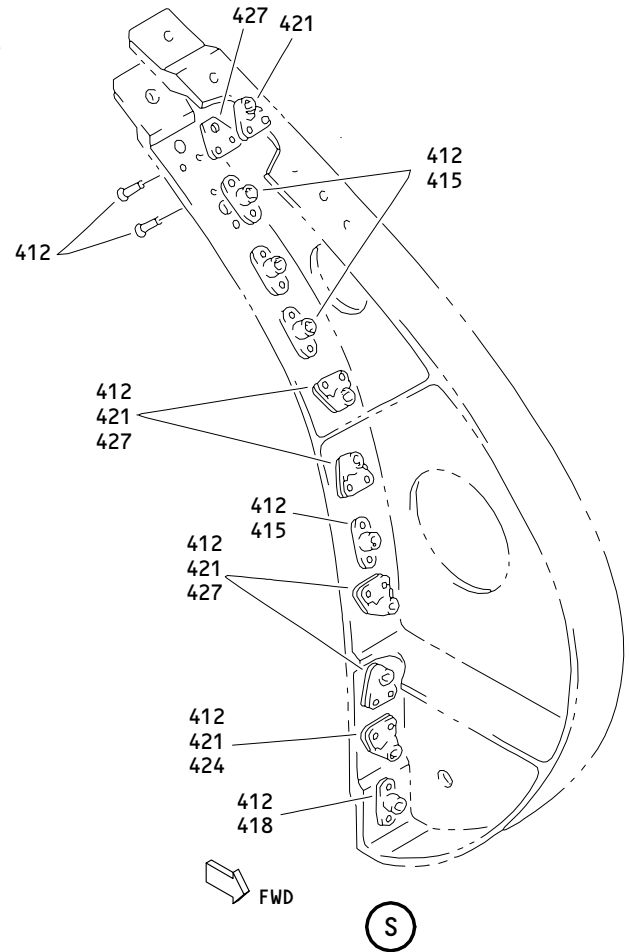
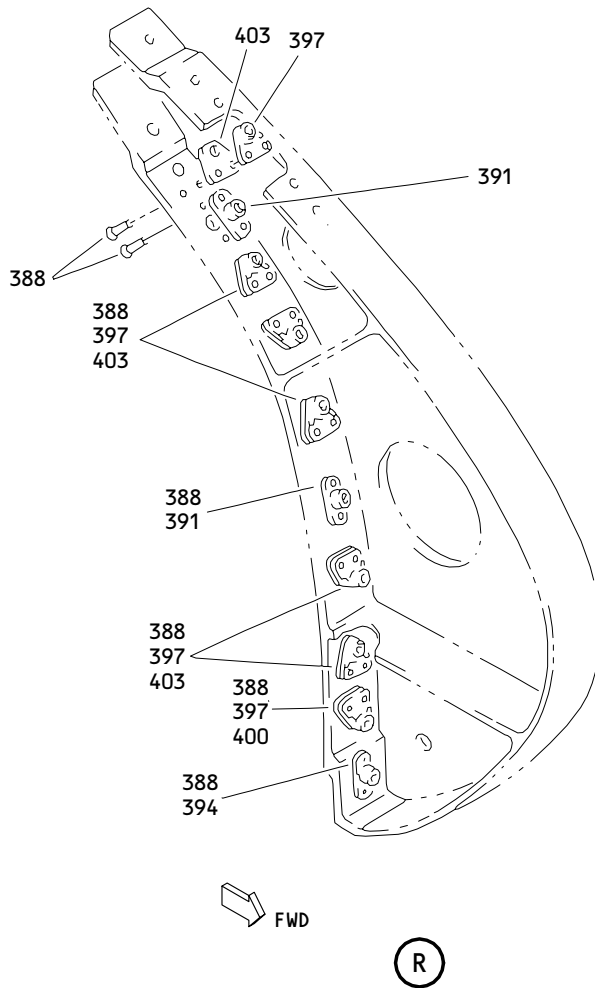
ILLUSTRATED PARTS LIST
 01.1 Page 1100M
 Jul 01/03



Inboard Slat No. 6 and 7 Wing Leading Edge Structure Assembly
 Figure 8 (Sheet 8)

57-43-37

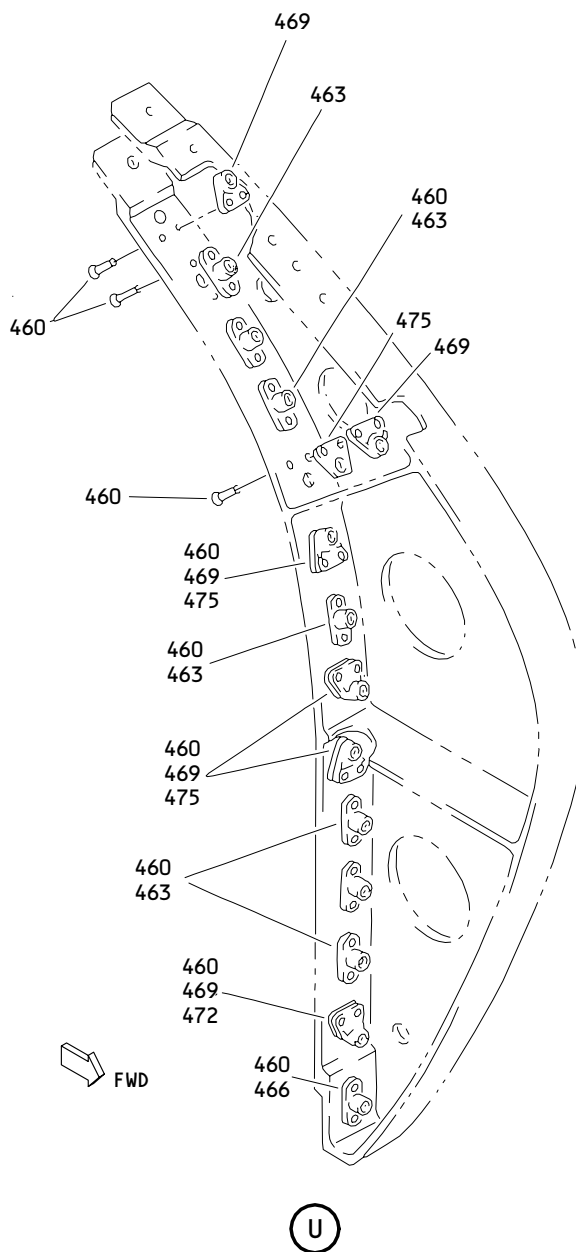
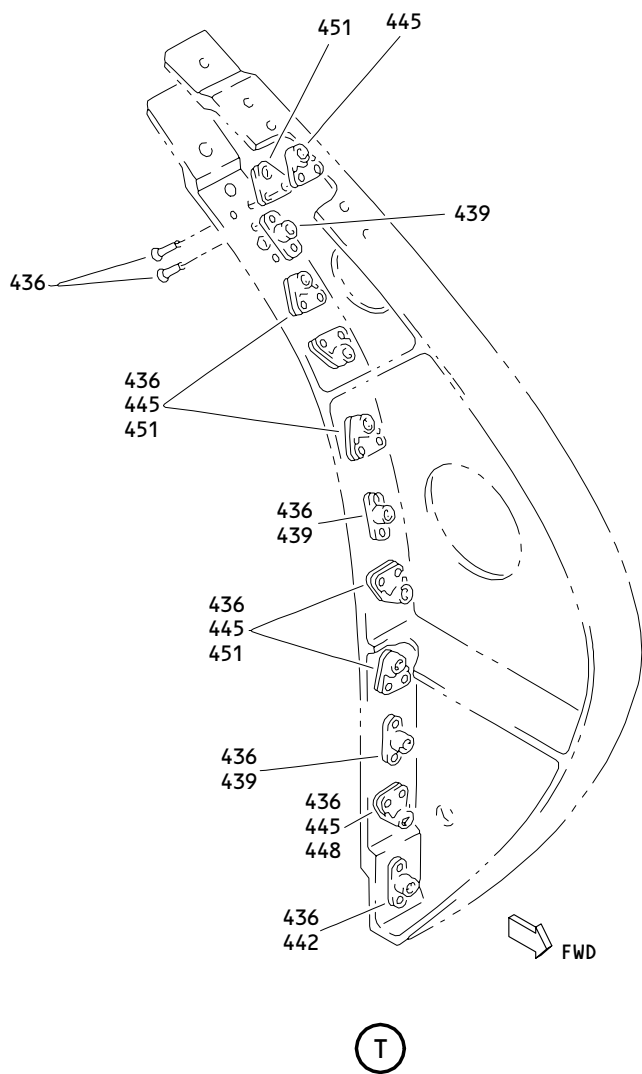
ILLUSTRATED PARTS LIST
 01.1 Page 1100N
 Jul 01/03



Inboard Slat No. 6 and 7 Wing Leading Edge Structure Assembly
 Figure 8 (Sheet 9)

57-43-37

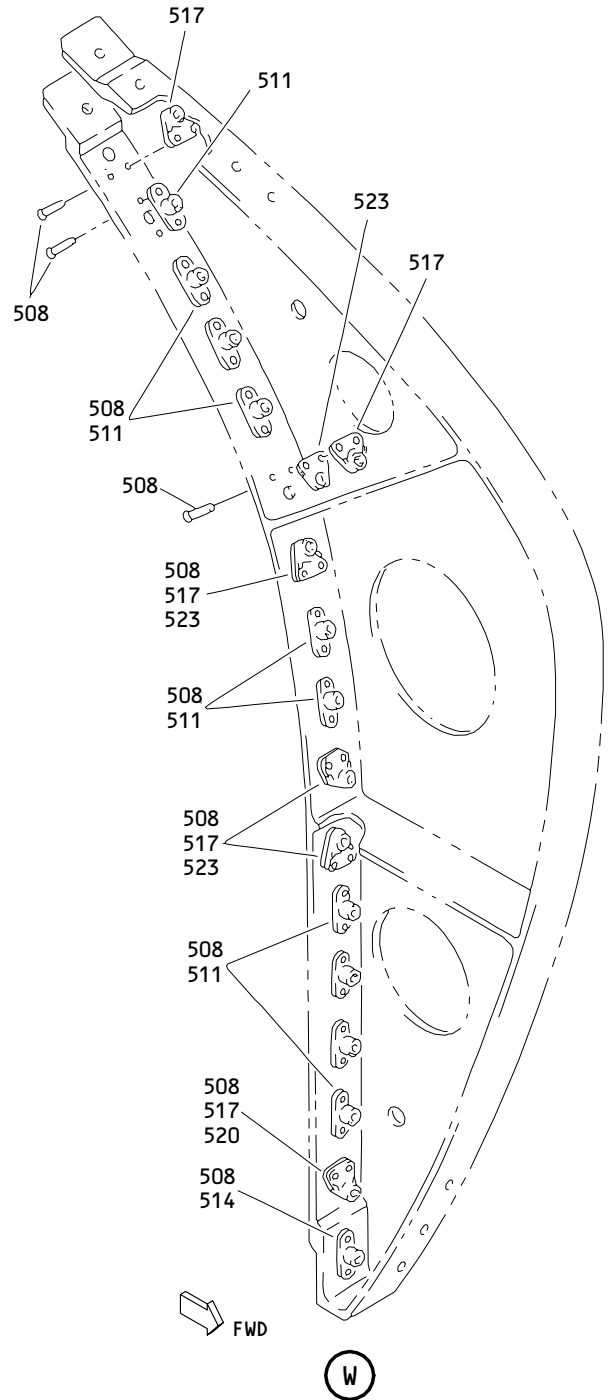
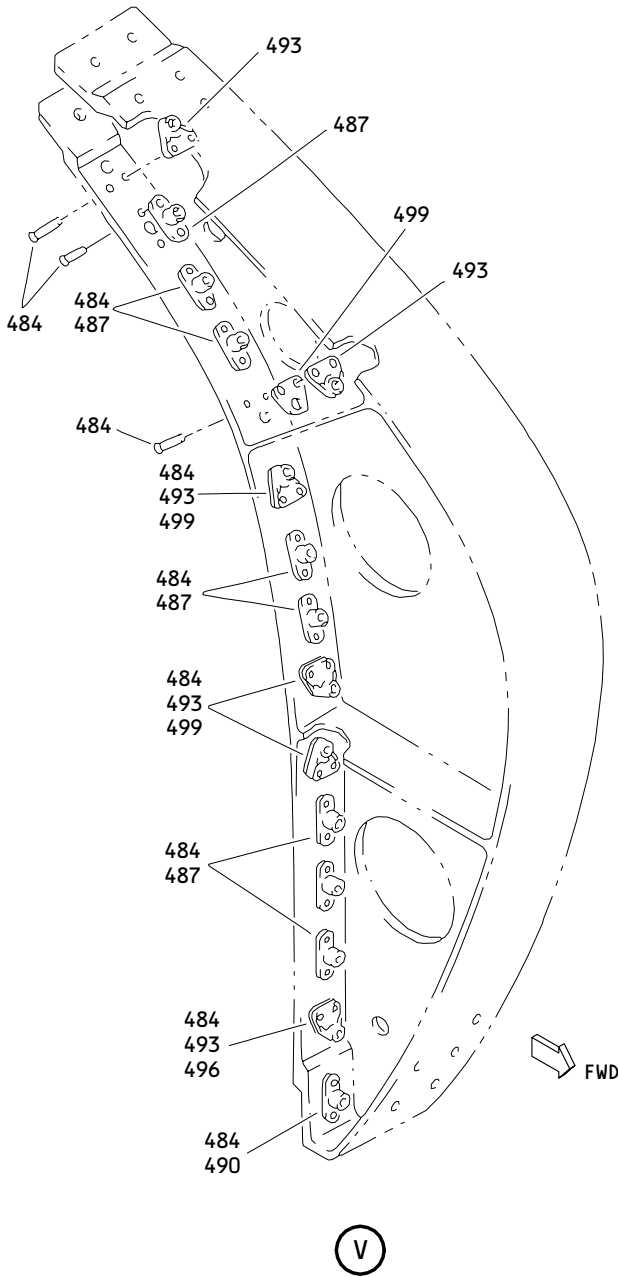
ILLUSTRATED PARTS LIST
 01.1 Page 11000
 Jul 01/03



Inboard Slat No. 6 and 7 Wing Leading Edge Structure Assembly
 Figure 8 (Sheet 10)

57-43-37

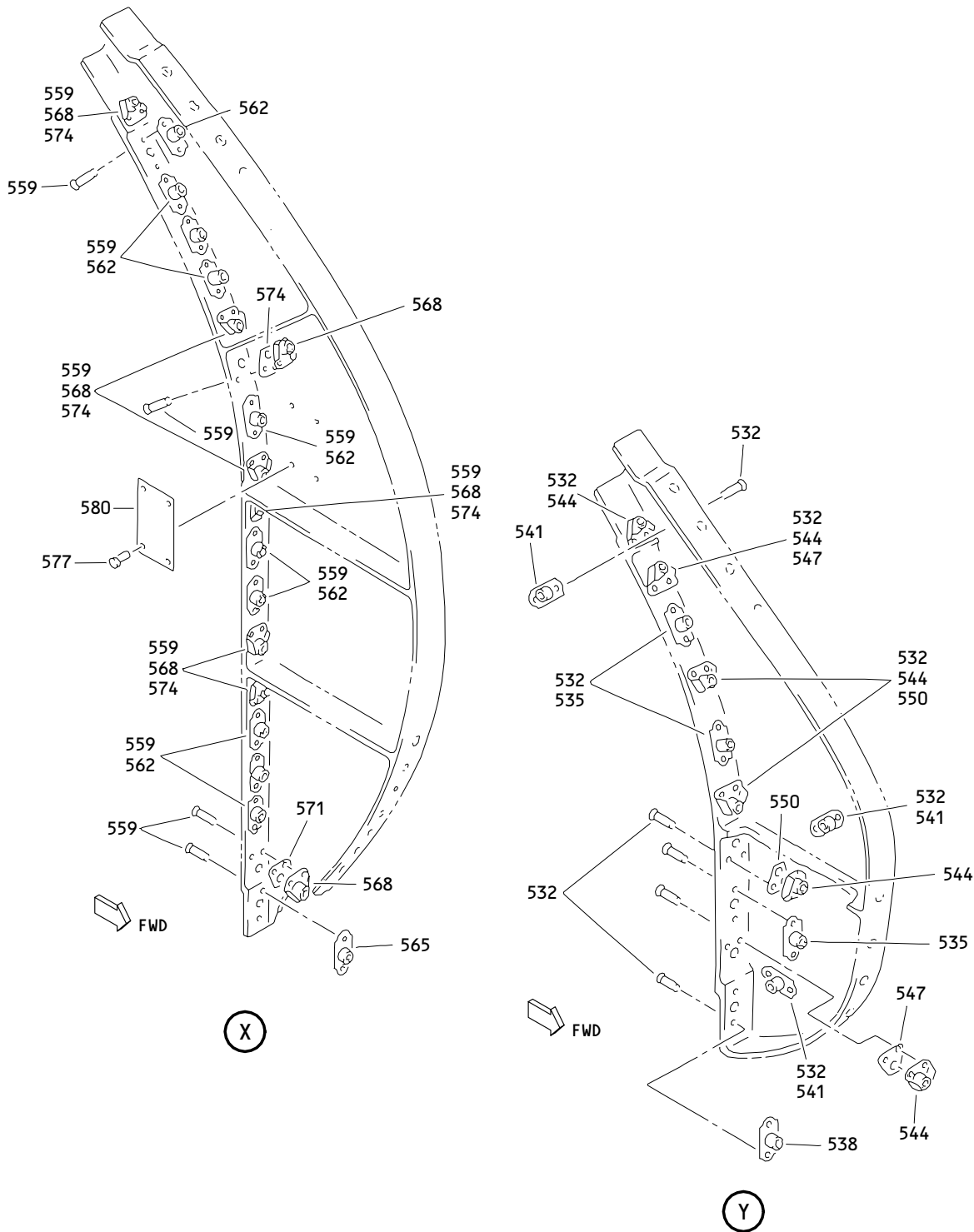
ILLUSTRATED PARTS LIST
 01.1 Page 1100P
 Jul 01/03



Inboard Slat No. 6 and 7 Wing Leading Edge Structure Assembly
Figure 8 (Sheet 11)

57-43-37

ILLUSTRATED PARTS LIST
01.1 Page 1100Q
Jul 01/03



Inboard Slat No. 6 and 7 Wing Leading Edge Structure Assembly
 Figure 8 (Sheet 12)

57-43-37

ILLUSTRATED PARTS LIST
 01.1 Page 1100R
 Jul 01/03

| FIG. & ITEM | PART NO. | AIRLINE PART NUMBER | NOMENCLATURE 1234567 | EFF CODE | QTY PER ASSY |
|-------------|--------------|---------------------|--|----------|--------------|
| 08- -1 | 114T3100-27 | | STRUCTURE ASSY-SLAT NO. 6 INBD LE (LH) (POST SB 767-32-0107) (PRE SB 767-57A0057) (FOR ADDITIONAL DETAILS SEE FIG. 7) | X | RF |
| -1A | 114T3100-29 | | DELETED | | |
| -1B | 114T3100-35 | | STRUCTURE ASSY-SLAT NO. 6 INBD LE (VARIABLE) (LH) (PRE SB 767-57A0057) (FOR ADDITIONAL DETAILS SEE FIG. 7) | AF | RF |
| -1C | 114T3100-37 | | STRUCTURE ASSY-SLAT NO. 6 INBD LE (LH) (PRE SB 767-57A0057) (FOR ADDITIONAL DETAILS SEE FIG. 7) | AK | RF |
| -1D | 114T3100-43 | | DELETED | | |
| -1E | 015T1507-627 | | STRUCTURE ASSY-SLAT NO. 6 INBD LE (LH) (POST SB 767-57A0057) (FOR ADDITIONAL DETAILS SEE FIG. 7) | DL | RF |
| -1F | 015T1507-667 | | STRUCTURE ASSY-SLAT NO. 6 INBD LE (LH) (POST SB 767-57A0057) (FOR ADDITIONAL DETAILS SEE FIG. 7) | DM | RF |
| -1G | 015T1507-633 | | STRUCTURE ASSY-SLAT NO. 6 INBD LE (LH) (POST SB 767-57A0057) (FOR ADDITIONAL DETAILS SEE FIG. 7) | DN | RF |
| -1H | 015T1507-673 | | STRUCTURE ASSY-SLAT NO. 6 INBD LE (LH) (POST SB 767-57A0057) (FOR ADDITIONAL DETAILS SEE FIG. 7) | DP | RF |
| -1J | 015T1507-635 | | STRUCTURE ASSY-SLAT NO. 6 INBD LE (LH) (POST SB 767-57A0057) (FOR ADDITIONAL DETAILS SEE FIG. 7) | DQ | RF |

57-43-37

ILLUSTRATED PARTS LIST
01.1 Page 1100S
Jul 01/03

| FIG. & ITEM | PART NO. | AIRLINE PART NUMBER | NOMENCLATURE 1234567 | EFF CODE | QTY PER ASSY |
|-------------|----------------|---------------------|--|----------|--------------|
| 08- -1K | 015T1507-675 | | STRUCTURE ASSY-SLAT NO. 6 INBD LE (LH) (POST SB 767-57A0057) (FOR ADDITIONAL DETAILS SEE FIG. 7) | DR | RF |
| -1L | 114T3100-49SP | | DELETED | | |
| -1M | 114T3100-51SP | | DELETED | | |
| -1N | 114T3100-53SP | | DELETED | | |
| -1P | 114T3100-55SP | | DELETED | | |
| -1Q | 114T3100-401SP | | DELETED | | |
| -1R | 114T3100-403SP | | DELETED | | |
| R -1S | 114T3100-405G | | STRUCTURE ASSY-SLAT NO. 6 INBD LE (LH) (FOR ADDITIONAL DETAILS SEE FIG. 7) | EL | RF |
| R -1T | 114T3100-407G | | STRUCTURE ASSY-SLAT NO. 6 INBD LE (LH) (FOR ADDITIONAL DETAILS SEE FIG. 7) | EN | RF |
| R -1U | 114T3100-409G | | STRUCTURE ASSY-SLAT NO. 6 INBD LE (LH) (FOR ADDITIONAL DETAILS SEE FIG. 7) | EQ | RF |
| R -1V | 114T3100-411G | | STRUCTURE ASSY-SLAT NO. 6 INBD LE (LH) (FOR ADDITIONAL DETAILS SEE FIG. 7) | ES | RF |
| R -1W | 114T3100-49G | | STRUCTURE ASSY-SLAT NO. 6 INBD LE (LH) (FOR ADDITIONAL DETAILS SEE FIG. 7) | DY | RF |
| R -1X | 114T3100-51G | | STRUCTURE ASSY-SLAT NO. 6 INBD LE (LH) (FOR ADDITIONAL DETAILS SEE FIG. 7) | DZ | RF |
| R -1Y | 114T3100-53G | | STRUCTURE ASSY-SLAT NO. 6 INBD LE (LH) (FOR ADDITIONAL DETAILS SEE FIG. 7) | EA | RF |
| R -1Z | 114T3100-55G | | STRUCTURE ASSY-SLAT NO. 6 INBD LE (LH) (FOR ADDITIONAL DETAILS SEE FIG. 7) | EB | RF |

57-43-37

 ILLUSTRATED PARTS LIST
 01.1 Page 1100T
 Jul 01/03

| FIG. & ITEM | PART NO. | AIRLINE PART NUMBER | NOMENCLATURE 1234567 | EFF CODE | QTY PER ASSY |
|-------------|---------------|---------------------|--|----------|--------------|
| R 08- -2 | 114T3100-401G | | STRUCTURE ASSY-SLAT NO. 6 INBD LE (LH) (FOR ADDITIONAL DETAILS SEE FIG. 7) | EG | RF |
| R -2A | 114T3100-403G | | STRUCTURE ASSY-SLAT NO. 6 INBD LE (LH) (FOR ADDITIONAL DETAILS SEE FIG. 7) | EJ | RF |
| R -2B | 114T3100-413G | | STRUCTURE ASSY-SLAT NO. 6 INBD LE (LH) (FOR ADDITIONAL DETAILS SEE FIG. 7) | FE | RF |
| R -2C | 114T3100-415G | | STRUCTURE ASSY-SLAT NO. 6 INBD LE (LH) (FOR ADDITIONAL DETAILS SEE FIG. 7) | FG | RF |
| R -2D | 114T3100-417G | | STRUCTURE ASSY-SLAT NO. 6 INBD LE (LH) (FOR ADDITIONAL DETAILS SEE FIG. 7) | FJ | RF |
| -5 | 114T3100-28 | | STRUCTURE ASSY-SLAT NO. 7 INBD LE (RH) (POST SB 767-32-0107) (PRE SB 767-57A0057) (FOR ADDITIONAL DETAILS SEE FIG. 7) | AA | RF |
| -5A | 114T3100-30 | | DELETED | | |
| -5B | 114T3100-36 | | STRUCTURE ASSY-SLAT NO. 7 INBD LE (VARIABLE) (RH) (PRE SB 767-57A0057) (FOR ADDITIONAL DETAILS SEE FIG. 7) | AG | RF |
| -5C | 114T3100-38 | | STRUCTURE ASSY-SLAT NO. 7 INBD LE (RH) (PRE SB 767-57A0057) (FOR ADDITIONAL DETAILS SEE FIG. 7) | AM | RF |
| -5D | 114T3100-44 | | DELETED | | |
| -5E | 015T1507-628 | | STRUCTURE ASSY-SLAT NO. 7 INBD LE (RH) (POST SB 767-57A0057) (FOR ADDITIONAL DETAILS SEE FIG. 7) | DS | RF |

57-43-37

| FIG. & ITEM | PART NO. | AIRLINE PART NUMBER | NOMENCLATURE 1234567 | EFF CODE | QTY PER ASSY |
|-------------|----------------|---------------------|--|----------|--------------|
| 08- -5F | 015T1507-668 | | STRUCTURE ASSY-SLAT NO. 7 INBD LE (RH) (POST SB 767-57A0057) (FOR ADDITIONAL DETAILS SEE FIG. 7) | DT | RF |
| -5G | 015T1507-634 | | STRUCTURE ASSY-SLAT NO. 7 INBD LE (RH) (POST SB 767-57A0057) (FOR ADDITIONAL DETAILS SEE FIG. 7) | DU | RF |
| -5H | 015T1507-674 | | STRUCTURE ASSY-SLAT NO. 7 INBD LE (RH) (POST SB 767-57A0057) (FOR ADDITIONAL DETAILS SEE FIG. 7) | DV | RF |
| -5K | 015T1507-636 | | STRUCTURE ASSY-SLAT NO. 7 INBD LE (RH) (POST SB 767-57A0057) (FOR ADDITIONAL DETAILS SEE FIG. 7) | DW | RF |
| -5L | 015T1507-676 | | STRUCTURE ASSY-SLAT NO. 7 INBD LE (RH) (POST SB 767-57A0057) (FOR ADDITIONAL DETAILS SEE FIG. 7) | DX | RF |
| -5M | 114T3100-50SP | | DELETED | | |
| -5N | 114T3100-52SP | | DELETED | | |
| -5P | 114T3100-54SP | | DELETED | | |
| -5Q | 114T3100-56SP | | DELETED | | |
| -5R | 114T3100-402SP | | DELETED | | |
| -5S | 114T3100-404SP | | DELETED | | |
| R -5T | 114T3100-406G | | STRUCTURE ASSY-SLAT NO. 7 INBD LE (RH) (FOR ADDITIONAL DETAILS SEE FIG. 7) | EM | RF |
| R -5U | 114T3100-408G | | STRUCTURE ASSY-SLAT NO. 7 INBD LE (RH) (FOR ADDITIONAL DETAILS SEE FIG. 7) | EP | RF |
| R -5V | 114T3100-410G | | STRUCTURE ASSY-SLAT NO. 7 INBD LE (RH) (FOR ADDITIONAL DETAILS SEE FIG. 7) | ER | RF |

57-43-37

 ILLUSTRATED PARTS LIST
 01.1 Page 1100V
 Jul 01/03

| FIG. & ITEM | PART NO. | AIRLINE PART NUMBER | NOMENCLATURE 1234567 | EFF CODE | QTY PER ASSY |
|-------------|---------------|---------------------|---|----------|--------------|
| R 08-5W | 114T3100-412G | | STRUCTURE ASSY-SLAT NO. 7 INBD LE (RH) (FOR ADDITIONAL DETAILS SEE FIG. 7) | ET | RF |
| R -5X | 114T3100-50G | | STRUCTURE ASSY-SLAT NO. 7 INBD LE (RH) (FOR ADDITIONAL DETAILS SEE FIG. 7) | EC | RF |
| R -5Y | 114T3100-52G | | STRUCTURE ASSY-SLAT NO. 7 INBD LE (RH) (FOR ADDITIONAL DETAILS SEE FIG. 7) | ED | RF |
| R -5Z | 114T3100-54G | | STRUCTURE ASSY-SLAT NO. 7 INBD LE (RH) (FOR ADDITIONAL DETAILS SEE FIG. 7) | EE | RF |
| R -6 | 114T3100-56G | | STRUCTURE ASSY-SLAT NO. 7 INBD LE (RH) (FOR ADDITIONAL DETAILS SEE FIG. 7) | EF | RF |
| R -6A | 114T3100-402G | | STRUCTURE ASSY-SLAT NO. 7 INBD LE (RH) (FOR ADDITIONAL DETAILS SEE FIG. 7) | EH | RF |
| R -6B | 114T3100-404G | | STRUCTURE ASSY-SLAT NO. 7 INBD LE (RH) (FOR ADDITIONAL DETAILS SEE FIG. 7) | EK | RF |
| R -6C | 114T3100-414G | | STRUCTURE ASSY-SLAT NO. 7 INBD LE (RH) (FOR ADDITIONAL DETAILS SEE FIG. 7) | FE | RF |
| R -6D | 114T3100-416G | | STRUCTURE ASSY-SLAT NO. 7 INBD LE (RH) (FOR ADDITIONAL DETAILS SEE FIG. 7) | FG | RF |
| R -6E | 114T3100-418G | | STRUCTURE ASSY-SLAT NO. 7 INBD LE (RH) (FOR ADDITIONAL DETAILS SEE FIG. 7) | FK | RF |

57-43-37

| FIG. & ITEM | PART NO. | AIRLINE PART NUMBER | NOMENCLATURE 1234567 | EFF CODE | QTY PER ASSY |
|-------------|-------------|---------------------|--|--|--------------|
| 08-8 | 114T3148-1 | | .RIB ASSY-MAIN SPRT | X,AF, AK,D L-DR, DY-EB ,EG,E L EN,EQ ,ES, FE,FG ,FJ | 1 |
| -11 | 114T3148-2 | | .RIB ASSY-MAIN SPRT | AA,AG ,AM,D S-DX, EC-EF ,EH EM,EP ,ER,E T,FF, FH,FK | 1 |
| 14 | BACB30NU3K3 | | .BOLT | X,AA, AF,AG ,AK,A M,D L-ET FE-FK | 4 |
| 17 | HL82-6APBW | | .COLLAR- (V73197) (SPEC BACC30AG6) (OPT HL82-6APBW (V92215)) (OPT HL82-6APBW (V56878)) (OPT HL82-6APBW (V5M902)) | X,AA, AF,AG ,AK,A M,D L-ET FE-FK | 4 |

57-43-37

 ILLUSTRATED PARTS LIST
 01.1 Page 1100X
 Jul 01/03

| FIG. & ITEM | PART NO. | AIRLINE PART NUMBER | NOMENCLATURE 1234567 | EFF CODE | QTY PER ASSY |
|-------------|------------|---------------------|--|---|--------------|
| 08-20 | AS46-3 | | .WASHER- (V10630) (SPEC BACW10AU3) (OPT K19701P3 (V15653)) (OPT 53488W1032 (V56878)) (OPT 6073-0 (V72962)) (OPT TLN1020L3W (V08524)) | X,AA, AF,AG ,AK,A M,D L-ET FE-FK | 4 |
| 23 | H19700P3 | | .NUT- (V15653) (SPEC BACN10MT3) (OPT TLN1020-3N (V08524)) (OPT 52LH6073-02 (V72962)) (OPT 53488-1032 (V56878)) | X,AA, AF,AG ,AK,A M,D L-ET FE-FK | 4 |
| 26 | BACB30NW6K | | .BOLT- (SIZE DETERMINE ON INST) | X,AA, AF,AG ,AK,A M,D L-ET FE-FK | 2 |
| 29 | HL82-6APBW | | .COLLAR- (V73197) (SPEC BACC30AG6) (OPT HL82-6APBW (V92215)) (OPT HL82-6APBW (V56878)) (OPT HL82-6APBW (V5M902)) | X,AA, AF,AG ,AK,A M,D L-ET FE-FK | 2 |

57-43-37

| FIG. & ITEM | PART NO. | AIRLINE PART NUMBER | NOMENCLATURE 1234567 | EFF CODE | QTY PER ASSY |
|-------------|-------------|---------------------|--|---|--------------|
| 08-32 | BACR15CE5KE | | .RIVET- (SIZE DETERMINE ON INST) | X,AA, AF,AG ,AK,A M,D L-ET FE-FK | 22 |
| 35 | BACR15CE6KE | | .RIVET- (SIZE DETERMINE ON INST) | X,AA, AF,AG ,AK,A M,D L-ET FE-FK | 2 |
| 38 | ADB08V301NC | | ..BEARING- (V15860) (SPEC BACB10FB08GC) (OPT HTFB08GC (VS0352)) (OPT KNDB08-70 (V97613)) (OPT KSC145700BZ08GC (V50632)) (OPT NES08FBGC (V73134)) | X,AA, AF,AG ,AK,A M,D L-ET FE-FK | 1 |
| 41 | BACR15BA3AD | | ..RIVET- (SIZE DETERMINE ON INST) | X,AA, AF,AG ,AK,A M,D L-ET FE-FK | 36 |
| 44 | BACN10JQ32 | | ..NUTPLATE | X,AA, AF,AG ,AK,A M,D L-EF | 6 |

57-43-37

ILLUSTRATED PARTS LIST
01.1 Page 1100Z
Jul 01/03

| FIG. & ITEM | PART NO. | AIRLINE PART NUMBER | NOMENCLATURE 1234567 | EFF CODE | QTY PER ASSY |
|-------------|----------------|---------------------|--|---|--------------|
| 08-44A | MF19058-3-2BAC | | ..NUTPLATE- (V15653) (SPEC BACN10YF32) | EG-ET ,FE-F K | 6 |
| 47 | NS103225-02 | | ..NUTPLATE- (V80539) (SPEC BACN10KH3) (OPT RMF9209M3 (V72962)) (OPT F29779-3 (V15653)) | X,AA, AF,AG ,AK,A M,D L-ET FE-FK | 12 |
| 50 | NAS1195DD3KM | | ..SHIM | X,AA, AF,AG ,AK,A M,D L-ET FE-FK | 11 |
| 53 | 114T3148-3 | | ..RIB | X,AF, AK,D L-DR, DY-EB ,EG,E J EL,EN ,EQ,E S,FE, FG,FJ AA,AG ,AM,D S-DX, EC-EF ,EH EK,EM ,EP,E R,ET, FF,FH ,FK | 1 |
| -56 | 114T3148-4 | | ..RIB | | 1 |

57-43-37

| FIG. & ITEM | PART NO. | AIRLINE PART NUMBER | NOMENCLATURE 1234567 | EFF CODE | QTY PER ASSY |
|-------------|--------------|---------------------|--|---|--------------|
| 08-59 | 114T3141-1 | | .RIB ASSY-MAIN SPRT | X,AF, AK,D L-DR, DY-EB | 1 |
| -59A | 114T3141-401 | | .RIB ASSY-MAIN SPRT | EG,EJ ,EL,E N,EQ, ES,FE ,FG FJG | 1 |
| -62 | 114T3141-2 | | .RIB ASSY-MAIN SPRT | AA,AG ,AM,D S-DX, EC-EF | 1 |
| -62A | 114T3141-402 | | .RIB ASSY-MAIN SPRT | EH,EK ,EM,E P,ER, ET,FF ,FH FKH | 1 |
| 65 | BACB30NU3K3 | | .BOLT | X,AA, AF,AG ,AK,A M,D L-ET FE-FK | 4 |
| 68 | HL82-6APBW | | .COLLAR- (V73197) (SPEC BACC30AG6) (OPT HL82-6APBW (V92215)) (OPT HL82-6APBW (V56878)) (OPT HL82-6APBW (V5M902)) | X,AA, AF,AG ,AK,A M,D L-ET FE-FK | 4 |

57-43-37

 ILLUSTRATED PARTS LIST
 01.1 Page 1102
 Jul 01/03

| FIG. & ITEM | PART NO. | AIRLINE PART NUMBER | NOMENCLATURE 1234567 | EFF CODE | QTY PER ASSY |
|-------------|------------|---------------------|--|---|--------------|
| 08-71 | AS46-3 | | .WASHER- (V10630) (SPEC BACW10AU3) (OPT K19701P3 (V15653)) (OPT 53488W1032 (V56878)) (OPT 6073-0 (V72962)) (OPT TLN1020L3W (V08524)) | X,AA, AF,AG ,AK,A M,D L-ET FE-FK | 4 |
| 74 | H19700P3 | | .NUT- (V15653) (SPEC BACN10MT3) (OPT TLN1020-3N (V08524)) (OPT 52LH6073-02 (V72962)) (OPT 53488-1032 (V56878)) | X,AA, AF,AG ,AK,A M,D L-ET FE-FK | 4 |
| 77 | BACB30NW6K | | .BOLT- (SIZE DETERMINE ON INST) | X,AA, AF,AG ,AK,A M,D L-ET FE-FK | 2 |
| 80 | HL82-6APBW | | .COLLAR- (V73197) (SPEC BACC30AG6) (OPT HL82-6APBW (V92215)) (OPT HL82-6APBW (V56878)) (OPT HL82-6APBW (V5M902)) | X,AA, AF,AG ,AK,A M,D L-ET FE-FK | 2 |

57-43-37

| FIG. & ITEM | PART NO. | AIRLINE PART NUMBER | NOMENCLATURE 1234567 | EFF CODE | QTY PER ASSY |
|-------------|-------------|---------------------|--|---|--------------|
| 08-83 | BACR15CE5KE | | .RIVET- (SIZE DETERMINE ON INST) | X,AA, AF,AG ,AK,A M,D L-ET FE-FK | 18 |
| 86 | BACR15CE6KE | | .RIVET- (SIZE DETERMINE ON INST) | X,AA, AF,AG ,AK,A M,D L-ET FE-FK | 8 |
| 89 | ADB08V301NC | | ..BEARING- (V15860) (SPEC BACB10FB08GC) (OPT HTFB08GC (VS0352)) (OPT KNDB08-70 (V97613)) (OPT KSC145700BZ08GC (V50632)) (OPT NES08FBGC (V73134)) | X,AA, AF,AG ,AK,A M,D L-EF | 1 |
| -89A | ADW07V301NC | | ..BEARING- (V15860) (SPEC BACB10FA07GC) (OPT SWKRS07-350SC (V81376)) (OPT KSC152200BZ07GC (V50632)) (OPT KWDB07-35 (V97613)) (OPT WES07FAGC (V73134)) (OPT WHTFA07VC (VS0352)) | EG-ET ,FE-F K | 1 |
| 92 | BACR15BA3AD | | ..RIVET- (SIZE DETERMINE ON INST) | X,AA, AF,AG ,AK,A M,D L-ET FE-FK | 44 |

57-43-37

 ILLUSTRATED PARTS LIST
 01.1 Page 1102B
 Jul 01/03

| FIG. & ITEM | PART NO. | AIRLINE PART NUMBER | NOMENCLATURE 1234567 | EFF CODE | QTY PER ASSY |
|-------------|----------------|---------------------|--|---|--------------|
| 08-95 | BACN10JQ32 | | ..NUTPLATE | X,AA, AF,AG ,AK,A M,D L-EF | 8 |
| -95A | MF19058-3-3BAC | | ..NUTPLATE- (V15653) (SPEC BACN10YF33) | EG-ET ,FE-F K | 8 |
| 98 | NS103225-02 | | ..NUTPLATE- (V80539) (SPEC BACN10KH3) (OPT RMF9209M3 (V72962)) (OPT F29779-3 (V15653)) | X,AA, AF,AG ,AK,A M,D L-ET FE-FK | 14 |
| 101 | NAS1195DD3KM | | ..SHIM | X,AA, AF,AG ,AK,A M,D L-ET FE-FK | 6 |
| 104 | 114T3141-3 | | ..RIB | X,AF, AK,D L-DR, DY-EB | 1 |
| -104A | 114T3141-403 | | ..RIB | EG,EJ ,EL,E N,EQ, ES,FE ,FG FJG | 1 |
| -107 | 114T3141-4 | | ..RIB | AA,AG ,AM,D S-DX, EC-EF | 1 |
| -107A | 114T3141-404 | | ..RIB | EH,EK ,EM,E P,ER, ET,FF ,FH FKH | 1 |

57-43-37

| FIG. & ITEM | PART NO. | AIRLINE PART NUMBER | NOMENCLATURE 1234567 | EFF CODE | QTY PER ASSY |
|-------------|-------------|---------------------|--|--|--------------|
| 08-110 | 114T3134-1 | | .RIB ASSY-MAIN SPRT | X,AF, AK,D L-DR, DY-EB ,EG,E J EL,EN ,EQ,E S,FE, FG,FJ | 1 |
| -113 | 114T3134-2 | | .RIB ASSY-MAIN SPRT | AA,AG ,AM,D S-DX, EC-EF ,EH EK,EM ,EP,E R,ET, FF,FH ,FK | 1 |
| 116 | BACB30NU3K3 | | .BOLT | X,AA, AF,AG ,AK,A M,D L-ET FE-FK | 6 |
| 119 | HL82-6APBW | | .COLLAR- (V73197) (SPEC BACC30AG6) (OPT HL82-6APBW (V92215)) (OPT HL82-6APBW (V56878)) (OPT HL82-6APBW (V5M902)) | X,AA, AF,AG ,AK,A M,D L-ET FE-FK | 6 |

57-43-37

 ILLUSTRATED PARTS LIST
 01.1 Page 1102D
 Jul 01/03

| FIG. & ITEM | PART NO. | AIRLINE PART NUMBER | NOMENCLATURE 1234567 | EFF CODE | QTY PER ASSY |
|-------------|------------|---------------------|--|---|--------------|
| 08-122 | AS46-3 | | .WASHER- (V10630) (SPEC BACW10AU3) (OPT K19701P3 (V15653)) (OPT 53488W1032 (V56878)) (OPT 6073-0 (V72962)) (OPT TLN1020L3W (V08524)) | X,AA, AF,AG ,AK,A M,D L-ET FE-FK | 6 |
| 125 | H19700P3 | | .NUT- (V15653) (SPEC BACN10MT3) (OPT TLN1020-3N (V08524)) (OPT 52LH6073-02 (V72962)) (OPT 53488-1032 (V56878)) | X,AA, AF,AG ,AK,A M,D L-ET FE-FK | 6 |
| 128 | BACB30NW6K | | .BOLT- (SIZE DETERMINE ON INST) | X,AA, AF,AG ,AK,A M,D L-ET FE-FK | 2 |
| 131 | HL82-6APBW | | .COLLAR- (V73197) (SPEC BACC30AG6) (OPT HL82-6APBW (V92215)) (OPT HL82-6APBW (V56878)) (OPT HL82-6APBW (V5M902)) | X,AA, AF,AG ,AK,A M,D L-ET FE-FK | 2 |

57-43-37

| FIG. & ITEM | PART NO. | AIRLINE PART NUMBER | NOMENCLATURE 1234567 | EFF CODE | QTY PER ASSY |
|-------------|-------------|---------------------|--|---|--------------|
| 08-134 | BACR15CE5KE | | .RIVET- (SIZE DETERMINE ON INST) | X,AA, AF,AG ,AK,A M,D L-ET FE-FK | 24 |
| 137 | BACR15CE6KE | | .RIVET- (SIZE DETERMINE ON INST) | X,AA, AF,AG ,AK,A M,D L-ET FE-FK | 10 |
| 140 | 114T3152-1 | | ..NUT-EXTERNAL | X,AA, AF,AG ,AK,A M,D L-ET FE-FK | 1 |
| 143 | 114T3154-1 | | ..WASHER-LOCK | X,AA, AF,AG ,AK,A M,D L-ET FE-FK | 1 |
| 146 | 114T3155-1 | | ..BEARING ASSY-ASSY | X,AA, AF,AG ,AK,A M,D L-ET FE-FK | 1 |
| 149 | 114T3153-1 | | ...NUT-INTERNAL | X,AA, AF,AG ,AK,A M,D L-ET FE-FK | 1 |
| 152 | ABWEN08 | | ...BEARING- (V23589) (SPEC BACB10EN08) (OPT AG8-29 (V15860)) | X,AA, AF,AG ,AK,A M,D L-ET FE-FK | 1 |

57-43-37

 ILLUSTRATED PARTS LIST
 01.1 Page 1102F
 Jul 01/03

| FIG. & ITEM | PART NO. | AIRLINE PART NUMBER | NOMENCLATURE 1234567 | EFF CODE | QTY PER ASSY |
|-------------|-------------|---------------------|--|---|--------------|
| 08-155 | 114T3151-1 | | ...HOUSING-FLANGED | X,AA, AF,AG ,AK,A M,D L-ET FE-FK | 1 |
| 158 | BACR15BA3AD | | ..RIVET- (SIZE DETERMINE ON INST) | X,AA, AF,AG ,AK,A M,D L-ET FE-FK | 60 |
| 161 | BACN10JQ32 | | ..NUTPLATE | X,AA, AF,AG ,AK,A M,D L-ET FE-FK | 6 |
| 164 | BRFM20A3 | | ..NUTPLATE- (V52828) (SPEC BACN10JN3) (OPT MF1000-3BAC (V15653)) (OPT NS103218-02 (V80539)) (OPT RMF9201M3 (V72962)) (OPT VN252A02 (V92215)) (OPT MF1000-3BAC (V15653)) (OPT MF53049-3 (V15653)) | X,AA, AF,AG ,AK,A M,D L-ET FE-FK | 4 |
| 167 | NS103225-02 | | ..NUTPLATE- (V80539) (SPEC BACN10KH3) (OPT RMF9209M3 (V72962)) (OPT F29779-3 (V15653)) | X,AA, AF,AG ,AK,A M,D L-ET FE-FK | 20 |

57-43-37

| FIG. & ITEM | PART NO. | AIRLINE PART NUMBER | NOMENCLATURE | EFF CODE | QTY PER ASSY |
|-------------|--------------|---------------------|-------------------|--|--------------|
| 08-170 | NAS1195DD3KM | | 1234567 ..SHIM | X,AA, AF,AG ,AK,A M,D L-ET FE-FK | 6 |
| 173 | 114T3134-3 | | ..RIB | X,AF, AK,D L-DR, DY-EB ,EG,E J EL,EN ,EQ,E S,FE, FG,FJ | 1 |
| -176 | 114T3134-4 | | ..RIB | AA,AG ,AM,D S-DX, EC-EF ,EH EK,EM ,EP,E R,ET, FF,FH ,FK | 1 |
| 179 | 114T3146-1 | | .RIB ASSY-ACTR | X,AF, AK,D L-DR, DY-EB ,EG,E J EL,EN ,EQ,E S,FE, FG,FJ | 1 |

57-43-37

 ILLUSTRATED PARTS LIST
 01.1 Page 1102H
 Jul 01/03

| FIG. & ITEM | PART NO. | AIRLINE PART NUMBER | NOMENCLATURE 1234567 | EFF CODE | QTY PER ASSY |
|-------------|-------------|---------------------|--|--|--------------|
| 08- -182 | 114T3146-2 | | .RIB ASSY-ACTR | AA,AG ,AM,D S-DX, EC-EF ,EH EK,EM ,EP,E R,ET, FF,FH ,FK | 1 |
| 185 | BACB30NU3K3 | | ATTACHING PARTS .BOLT | X,AA, AF,AG ,AK,A M,D L-ET FE-FK | 4 |
| 188 | HL82-6APBW | | .COLLAR- (V73197) (SPEC BACC30AG6) (OPT HL82-6APBW (V92215)) (OPT HL82-6APBW (V56878)) (OPT HL82-6APBW (V5M902)) | X,AA, AF,AG ,AK,A M,D L-ET FE-FK | 4 |
| 191 | AS46-3 | | .WASHER- (V10630) (SPEC BACW10AU3) (OPT K19701P3 (V15653)) (OPT 53488W1032 (V56878)) (OPT 6073-0 (V72962)) (OPT TLN1020L3W (V08524)) | X,AA, AF,AG ,AK,A M,D L-ET FE-FK | 4 |

57-43-37

| FIG. & ITEM | PART NO. | AIRLINE PART NUMBER | NOMENCLATURE | EFF CODE | QTY PER ASSY |
|-------------|-------------|---------------------|--|---|--------------|
| 08-194 | H19700P3 | | .NUT- (V15653) (SPEC BACN10MT3) (OPT TLN1020-3N (V08524)) (OPT 52LH6073-02 (V72962)) (OPT 53488-1032 (V56878)) | X,AA, AF,AG ,AK,A M,D L-ET FE-FK | 4 |
| 197 | BACB30NW6K | | .BOLT- (SIZE DETERMINE ON INST) | X,AA, AF,AG ,AK,A M,D L-ET FE-FK | 2 |
| 200 | HL82-6APBW | | .COLLAR- (V73197) (SPEC BACC30AG6) (OPT HL82-6APBW (V92215)) (OPT HL82-6APBW (V56878)) (OPT HL82-6APBW (V5M902)) | X,AA, AF,AG ,AK,A M,D L-ET FE-FK | 2 |
| 203 | BACR15CE5KE | | .RIVET- (SIZE DETERMINE ON INST) | X,AA, AF,AG ,AK,A M,D L-ET FE-FK | 20 |

57-43-37

 ILLUSTRATED PARTS LIST
 01.1 Page 1102J
 Jul 01/03

| FIG. & ITEM | PART NO. | AIRLINE PART NUMBER | NOMENCLATURE 1234567 | EFF CODE | QTY PER ASSY |
|-------------|-------------|---------------------|--|---|--------------|
| 08-206 | BACR15CE6KE | | .RIVET- (SIZE DETERMINE ON INST) -----*----- | X,AA, AF,AG ,AK,A M,D L-ET FE-FK | 4 |
| 209 | ADB07V301NC | | ..BEARING- (V15860) (SPEC BACB10FB07GC) (OPT KSC145700BZ07GC (V50632)) (OPT NES07FBG (V73134)) (OPT HTFB07V (VS0352)) (OPT KNDB07-62 (V97613)) | X,AA, AF,AG ,AK,A M,D L-ET FE-FK | 1 |
| 211 | BACR15BA3AD | | ..RIVET- (SIZE DETERMINE ON INST) | X,AA, AF,AG ,AK,A M,D L-ET FE-FK | 32 |
| 214 | BRFM20A3 | | ..NUTPLATE- (V52828) (SPEC BACN10JN3) (OPT MF1000-3BAC (V15653)) (OPT NS103218-02 (V80539)) (OPT RMF9201M3 (V72962)) (OPT VN252A02 (V92215)) (OPT MF1000-3BAC (V15653)) (OPT MF53049-3 (V15653)) | X,AA, AF,AG ,AK,A M,D L-ET FE-FK | 8 |

57-43-37

| FIG. & ITEM | PART NO. | AIRLINE PART NUMBER | NOMENCLATURE | EFF CODE | QTY PER ASSY |
|-------------|-------------|---------------------|--|--|--------------|
| 08-217 | NS103225-02 | | ..NUTPLATE- (V80539) (SPEC BACN10KH3) (OPT RMF9209M3 (V72962)) (OPT F29779-3 (V15653)) | X,AA, AF,AG ,AK,A M,D L-ET | 8 |
| 220 | 114T3146-3 | | ..RIB | X,AF, AK,D L-DR, DY-EB ,EG,E J EL,EN ,EQ,E S,FE, FG,FJ | 1 |
| -223 | 114T3146-4 | | ..RIB | AA,AG ,AM,D S-DX, EC-EF ,EH EK,EM ,EP,E R,ET, FF,FH ,FK | 1 |
| 226 | 114T3136-1 | | .RIB ASSY-ACTR | X,AF, AK,D L-DR, DY-EB ,EG,E J EL,EN ,EQ,E S,FE, FG,FJ | 1 |

57-43-37

 ILLUSTRATED PARTS LIST
 01.1 Page 1102L
 Jul 01/03

| FIG. & ITEM | PART NO. | AIRLINE PART NUMBER | NOMENCLATURE 1234567 | EFF CODE | QTY PER ASSY |
|-------------|-------------|---------------------|--|--|--------------|
| 08- -229 | 114T3136-2 | | .RIB ASSY-ACTR | AA,AG ,AM,D S-DX, EC-EF ,EH EK,EM ,EP,E R,ET, FF,FH ,FK | 1 |
| 232 | BACB30NW6K | | ATTACHING PARTS .BOLT- (SIZE DETERMINE ON INST) | X,AA, AF,AG ,AK,A M,D L-ET FE-FK | 2 |
| 235 | HL82-6APBW | | .COLLAR- (V73197) (SPEC BACC30AG6) (OPT HL82-6APBW (V92215)) (OPT HL82-6APBW (V56878)) (OPT HL82-6APBW (V5M902)) | X,AA, AF,AG ,AK,A M,D L-ET FE-FK | 2 |
| 238 | BACR15CE5KE | | .RIVET- (SIZE DETERMINE ON INST) | X,AA, AF,AG ,AK,A M,D L-ET FE-FK | 34 |

57-43-37

| FIG. & ITEM | PART NO. | AIRLINE PART NUMBER | NOMENCLATURE 1234567 | EFF CODE | QTY PER ASSY |
|-------------|-------------|---------------------|--|---|--------------|
| 08-241 | BACR15CE6KE | | .RIVET- (SIZE DETERMINE ON INST) -----*----- | X,AA, AF,AG ,AK,A M,D L-ET FE-FK | 2 |
| 244 | ADB07V301NC | | ..BEARING- (V15860) (SPEC BACB10FB07GC) (OPT KSC145700BZ07GC (V50632)) (OPT NES07FBG (V73134)) (OPT HTFB07V (VS0352)) (OPT KNDB07-62 (V97613)) | X,AA, AF,AG ,AK,A M,D L-ET FE-FK | 1 |
| 247 | BACR15BA3AD | | ..RIVET- (SIZE DETERMINE ON INST) | X,AA, AF,AG ,AK,A M,D L-ET FE-FK | 52 |
| 250 | BRFM20A3 | | ..NUTPLATE- (V52828) (SPEC BACN10JN3) (OPT MF1000-3BAC (V15653)) (OPT NS103218-02 (V80539)) (OPT RMF9201M3 (V72962)) (OPT VN252A02 (V92215)) (OPT MF1000-3BAC (V15653)) (OPT MF53049-3 (V15653)) | X,AA, AF,AG ,AK,A M,D L-ET FE-FK | 8 |

57-43-37

 ILLUSTRATED PARTS LIST
 01.1 Page 1102N
 Jul 01/03

| FIG. & ITEM | PART NO. | AIRLINE PART NUMBER | NOMENCLATURE 1234567 | EFF CODE | QTY PER ASSY |
|-------------|--------------|---------------------|--|--|--------------|
| 08-253 | NS103225-02 | | ..NUTPLATE- (V80539) (SPEC BACN10KH3) (OPT RMF9209M3 (V72962)) (OPT F29779-3 (V15653)) | X,AA, AF,AG ,AK,A M,D L-ET FE-FK | 18 |
| 256 | NAS1195DD3KM | | ..SHIM | X,AA, AF,AG ,AK,A M,D L-ET FE-FK | 2 |
| 259 | 114T3136-3 | | ..RIB | X,AF, AK,D L-DR, DY-EB ,EG,E J EL,EN ,EQ,E S,FE, FG,FJ | 1 |
| -262 | 114T3136-4 | | ..RIB | AA,AG ,AM,D S-DX, EC-EF ,EH EK,EM ,EP,E R,ET, FF,FH ,FK | 1 |

57-43-37

| FIG. & ITEM | PART NO. | AIRLINE PART NUMBER | NOMENCLATURE 1234567 | EFF CODE | QTY PER ASSY |
|-------------|-------------|---------------------|--------------------------------------|--|--------------|
| 08- -265 | 114T3149-1 | | .RIB ASSY-AIR LOAD | X,AF, AK,D L-DR, DY-EB ,EG,E J EL,EN ,EQ,E S,FE, FG,FJ | 1 |
| -268 | 114T3149-2 | | .RIB ASSY-AIR LOAD | AA,AG ,AM,D S-DX, EC-EF ,EH EK,EM ,EP,E R,ET, FF,FH ,FK | 1 |
| 271 | BACR15BA3AD | | ..RIVET- (SIZE DETERMINE ON INST) | X,AA, AF,AG ,AK,A M,D L-ET FE-FK | 20 |
| 274 | BACN10JQ32 | | ..NUTPLATE | X,AA, AF,AG ,AK,A M,D L-ET FE-FK | 2 |

57-43-37

 ILLUSTRATED PARTS LIST
 01.1 Page 1102P
 Jul 01/03

| FIG. & ITEM | PART NO. | AIRLINE PART NUMBER | NOMENCLATURE 1234567 | EFF CODE | QTY PER ASSY |
|-------------|--------------|---------------------|--|---|--------------|
| 08-277 | BRFM20A3 | | ..NUTPLATE- (V52828) (SPEC BACN10JN3) (OPT MF1000-3BAC (V15653)) (OPT NS103218-02 (V80539)) (OPT RMF9201M3 (V72962)) (OPT VN252A02 (V92215)) (OPT MF1000-3BAC (V15653)) (OPT MF53049-3 (V15653)) | X,AA, AF,AG ,AK,A M,D L-ET FE-FK | 1 |
| 280 | NS103225-02 | | ..NUTPLATE- (V80539) (SPEC BACN10KH3) (OPT RMF9209M3 (V72962)) (OPT F29779-3 (V15653)) | X,AA, AF,AG ,AK,A M,D L-ET FE-FK | 7 |
| 283 | NAS1195DD3KH | | ..SHIM | X,AA, AF,AG ,AK,A M,D L-ET FE-FK | 1 |
| 286 | NAS1195DD3KM | | ..SHIM | X,AA, AF,AG ,AK,A M,D L-ET FE-FK | 5 |

57-43-37

| FIG. & ITEM | PART NO. | AIRLINE PART NUMBER | NOMENCLATURE 1234567 | EFF CODE | QTY PER ASSY |
|-------------|-------------|---------------------|--------------------------------------|--|--------------|
| 08-289 | 114T3145-1 | | .RIB ASSY-AIR LOAD | X,AF, AK,D L-DR, DY-EB ,EG,E J EL,EN ,EQ,E S,FE, FG,FJ | 1 |
| -292 | 114T3145-2 | | .RIB ASSY-AIR LOAD | AA,AG ,AM,D S-DX, EC-EF ,EH EK,EM ,EP,E R,ET, FF,FH ,FK | 1 |
| 295 | BACR15BA3AD | | ..RIVET- (SIZE DETERMINE ON INST) | X,AA, AF,AG ,AK,A M,D L-ET FE-FK | 16 |
| 298 | BACN10JQ32 | | ..NUTPLATE | X,AA, AF,AG ,AK,A M,D L-ET FE-FK | 2 |

57-43-37

ILLUSTRATED PARTS LIST
 01.1 Page 1102R
 Jul 01/03

| FIG. & ITEM | PART NO. | AIRLINE PART NUMBER | NOMENCLATURE 1234567 | EFF CODE | QTY PER ASSY |
|-------------|--------------|---------------------|--|---|--------------|
| 08-301 | BRFM20A3 | | ..NUTPLATE- (V52828) (SPEC BACN10JN3) (OPT MF1000-3BAC (V15653)) (OPT NS103218-02 (V80539)) (OPT RMF9201M3 (V72962)) (OPT VN252A02 (V92215)) (OPT MF1000-3BAC (V15653)) (OPT MF53049-3 (V15653)) | X,AA, AF,AG ,AK,A M,D L-ET FE-FK | 1 |
| 304 | NS103225-02 | | ..NUTPLATE- (V80539) (SPEC BACN10KH3) (OPT RMF9209M3 (V72962)) (OPT F29779-3 (V15653)) | X,AA, AF,AG ,AK,A M,D L-ET FE-FK | 5 |
| 307 | NAS1195DD3KH | | ..SHIM | X,AA, AF,AG ,AK,A M,D L-ET FE-FK | 1 |
| 310 | NAS1195DD3KM | | ..SHIM | X,AA, AF,AG ,AK,A M,D L-ET FE-FK | 3 |
| -313 | 114T3144-1 | | .RIB ASSY-AIR LOAD | X,AF, AK,D L-DR, DY-EB ,EG,E J EL,EN ,EQ,E S,FE, FG,FJ | 1 |

57-43-37

| FIG. & ITEM | PART NO. | AIRLINE PART NUMBER | NOMENCLATURE 1234567 | EFF CODE | QTY PER ASSY |
|-------------|-------------|---------------------|--|--|--------------|
| 08-316 | 114T3144-2 | | .RIB ASSY-AIR LOAD | AA,AG ,AM,D S-DX, EC-EF ,EH EK,EM ,EP,E R,ET, FF,FH ,FK | 1 |
| 319 | BACR15BA3AD | | ..RIVET- (SIZE DETERMINE ON INST) | X,AA, AF,AG ,AK,A M,D L-ET FE-FK | 18 |
| 322 | BACN10JQ32 | | ..NUTPLATE | X,AA, AF,AG ,AK,A M,D L-ET FE-FK | 2 |
| 325 | BRFM20A3 | | ..NUTPLATE- (V52828) (SPEC BACN10JN3) (OPT MF1000-3BAC (V15653)) (OPT NS103218-02 (V80539)) (OPT RMF9201M3 (V72962)) (OPT VN252A02 (V92215)) (OPT MF1000-3BAC (V15653)) (OPT MF53049-3 (V15653)) | X,AA, AF,AG ,AK,A M,D L-ET FE-FK | 1 |
| 328 | NS103225-02 | | ..NUTPLATE- (V80539) (SPEC BACN10KH3) (OPT RMF9209M3 (V72962)) (OPT F29779-3 (V15653)) | X,AA, AF,AG ,AK,A M,D L-ET FE-FK | 6 |

57-43-37

 ILLUSTRATED PARTS LIST
 01.1 Page 1102T
 Jul 01/03

| FIG. & ITEM | PART NO. | AIRLINE PART NUMBER | NOMENCLATURE 1234567 | EFF CODE | QTY PER ASSY |
|-------------|--------------|---------------------|-------------------------|--|--------------|
| 08-331 | NAS1195DD3KH | | ..SHIM | X,AA, AF,AG ,AK,A M,D L-ET FE-FK | 1 |
| 334 | NAS1195DD3KM | | ..SHIM | X,AA, AF,AG ,AK,A M,D L-ET FE-FK | 4 |
| -337 | 114T3143-1 | | .RIB ASSY-AIR LOAD | X,AF, AK,D L-DR, DY-EB ,EG,E J EL,EN ,EQ,E S,FE, FG,FJ | 1 |
| -340 | 114T3143-2 | | .RIB ASSY-AIR LOAD | AA,AG ,AM,D S-DX, EC-EF ,EH EK,EM ,EP,E R,ET, FF,FH ,FK | 1 |

57-43-37

ILLUSTRATED PARTS LIST
 01.1 Page 1102U
 Jul 01/03

| FIG. & ITEM | PART NO. | AIRLINE PART NUMBER | NOMENCLATURE 1234567 | EFF CODE | QTY PER ASSY |
|-------------|-------------|---------------------|--|---|--------------|
| 08-343 | BACR15BA3AD | | ..RIVET- (SIZE DETERMINE ON INST) | X,AA, AF,AG ,AK,A M,D L-ET FE-FK | 18 |
| 346 | BACN10JQ32 | | ..NUTPLATE | X,AA, AF,AG ,AK,A M,D L-ET FE-FK | 2 |
| 349 | BRFM20A3 | | ..NUTPLATE- (V52828) (SPEC BACN10JN3) (OPT MF1000-3BAC (V15653)) (OPT NS103218-02 (V80539)) (OPT RMF9201M3 (V72962)) (OPT VN252A02 (V92215)) (OPT MF1000-3BAC (V15653)) (OPT MF53049-3 (V15653)) | X,AA, AF,AG ,AK,A M,D L-ET FE-FK | 1 |
| 352 | NS103225-02 | | ..NUTPLATE- (V80539) (SPEC BACN10KH3) (OPT RMF9209M3 (V72962)) (OPT F29779-3 (V15653)) | X,AA, AF,AG ,AK,A M,D L-ET FE-FK | 6 |

57-43-37

ILLUSTRATED PARTS LIST
01.1 Page 1102V
Jul 01/03

015T0165
 015T1507
 114T3100
 DASH NUMBERS LIMITED

 **BOEING**
 COMPONENT
 MAINTENANCE MANUAL

| FIG. & ITEM | PART NO. | AIRLINE PART NUMBER | NOMENCLATURE 1234567 | EFF CODE | QTY PER ASSY |
|-------------|--------------|---------------------|-------------------------|--|--------------|
| 08-355 | NAS1195DD3KH | | ..SHIM | X,AA, AF,AG ,AK,A M,D L-ET FE-FK | 1 |
| 358 | NAS1195DD3KM | | ..SHIM | X,AA, AF,AG ,AK,A M,D L-ET FE-FK | 4 |
| -361 | 114T3140-1 | | .RIB ASSY-AIR LOAD | X,AF, AK,D L-DR, DY-EB ,EG,E J EL,EN ,EQ,E S,FE, FG,FJ | 1 |
| -364 | 114T3140-2 | | .RIB ASSY-AIR LOAD | AA,AG ,AM,D S-DX, EC-EF ,EH EK,EM ,EP,E R,ET, FF,FH ,FK | 1 |

57-43-37

ILLUSTRATED PARTS LIST
 01.1 Page 1102W
 Jul 01/03

| FIG. & ITEM | PART NO. | AIRLINE PART NUMBER | NOMENCLATURE 1234567 | EFF CODE | QTY PER ASSY |
|-------------|--------------|---------------------|--|---|--------------|
| 08-367 | BACR15BA3AD | | ..RIVET- (SIZE DETERMINE ON INST) | X,AA, AF,AG ,AK,A M,D L-ET FE-FK | 20 |
| 370 | BACN10JQ32 | | ..NUTPLATE | X,AA, AF,AG ,AK,A M,D L-ET FE-FK | 5 |
| 373 | BRFM20A3 | | ..NUTPLATE- (V52828) (SPEC BACN10JN3) (OPT MF1000-3BAC (V15653)) (OPT NS103218-02 (V80539)) (OPT RMF9201M3 (V72962)) (OPT VN252A02 (V92215)) (OPT MF1000-3BAC (V15653)) (OPT MF53049-3 (V15653)) | X,AA, AF,AG ,AK,A M,D L-ET FE-FK | 1 |
| 376 | NS103225-02 | | ..NUTPLATE- (V80539) (SPEC BACN10KH3) (OPT RMF9209M3 (V72962)) (OPT F29779-3 (V15653)) | X,AA, AF,AG ,AK,A M,D L-ET FE-FK | 4 |
| 379 | NAS1195DD3KM | | ..SHIM | X,AA, AF,AG ,AK,A M,D L-ET FE-FK | 3 |

57-43-37

ILLUSTRATED PARTS LIST
01.1 Page 1102X
Jul 01/03

| FIG. & ITEM | PART NO. | AIRLINE PART NUMBER | NOMENCLATURE 1234567 | EFF CODE | QTY PER ASSY |
|-------------|-------------|---------------------|--------------------------------------|--|--------------|
| 08- -382 | 114T3139-1 | | .RIB ASSY-AIR LOAD | X,AF, AK,D L-DR, DY-EB ,EG,E J EL,EN ,EQ,E S,FE, FG,FJ | 1 |
| -385 | 114T3139-2 | | .RIB ASSY-AIR LOAD | AA,AG ,AM,D S-DX, EC-EF ,EH EK,EM ,EP,E R,ET, FF,FH ,FK | 1 |
| 388 | BACR15BA3AD | | ..RIVET- (SIZE DETERMINE ON INST) | X,AA, AF,AG ,AK,A M,D L-ET FE-FK | 20 |
| 391 | BACN10JQ32 | | ..NUTPLATE | X,AA, AF,AG ,AK,A M,D L-ET FE-FK | 2 |

57-43-37

| FIG. & ITEM | PART NO. | AIRLINE PART NUMBER | NOMENCLATURE 1234567 | EFF CODE | QTY PER ASSY |
|-------------|--------------|---------------------|--|---|--------------|
| 08-394 | BRFM20A3 | | ..NUTPLATE- (V52828) (SPEC BACN10JN3) (OPT MF1000-3BAC (V15653)) (OPT NS103218-02 (V80539)) (OPT RMF9201M3 (V72962)) (OPT VN252A02 (V92215)) (OPT MF1000-3BAC (V15653)) (OPT MF53049-3 (V15653)) | X,AA, AF,AG ,AK,A M,D L-ET FE-FK | 1 |
| 397 | NS103225-02 | | ..NUTPLATE- (V80539) (SPEC BACN10KH3) (OPT RMF9209M3 (V72962)) (OPT F29779-3 (V15653)) | X,AA, AF,AG ,AK,A M,D L-ET FE-FK | 7 |
| 400 | NAS1195DD3KH | | ..SHIM | X,AA, AF,AG ,AK,A M,D L-ET FE-FK | 1 |
| 403 | NAS1195DD3KM | | ..SHIM | X,AA, AF,AG ,AK,A M,D L-ET | 6 |

57-43-37

 ILLUSTRATED PARTS LIST
 01.1 Page 1102Z
 Jul 01/03

| FIG. & ITEM | PART NO. | AIRLINE PART NUMBER | NOMENCLATURE 1234567 | EFF CODE | QTY PER ASSY |
|-------------|-------------|---------------------|--------------------------------------|--|--------------|
| 08- -406 | 114T3138-1 | | .RIB ASSY-AIR LOAD | X,AF, AK,D L-DR, DY-EB ,EG,E J EL,EN ,EQ,E S,FE, FG,FJ | 1 |
| -409 | 114T3138-2 | | .RIB ASSY-AIR LOAD | AA,AG ,AM,D S-DX, EC-EF ,EH EK,EM ,EP,E R,ET, FF,FH ,FK | 1 |
| 412 | BACR15BA3AD | | ..RIVET- (SIZE DETERMINE ON INST) | X,AA, AF,AG ,AK,A M,D L-ET | 22 |
| 415 | BACN10JQ32 | | ..NUTPLATE | FE-FK X,AA, AF,AG ,AK,A M,D L-ET FE-FK | 4 |

57-43-37

| FIG. & ITEM | PART NO. | AIRLINE PART NUMBER | NOMENCLATURE 1234567 | EFF CODE | QTY PER ASSY |
|-------------|--------------|---------------------|--|---|--------------|
| 08-418 | BRFM20A3 | | ..NUTPLATE- (V52828) (SPEC BACN10JN3) (OPT MF1000-3BAC (V15653)) (OPT NS103218-02 (V80539)) (OPT RMF9201M3 (V72962)) (OPT VN252A02 (V92215)) (OPT MF1000-3BAC (V15653)) (OPT MF53049-3 (V15653)) | X,AA, AF,AG ,AK,A M,D L-ET FE-FK | 1 |
| 421 | NS103225-02 | | ..NUTPLATE- (V80539) (SPEC BACN10KH3) (OPT RMF9209M3 (V72962)) (OPT F29779-3 (V15653)) | X,AA, AF,AG ,AK,A M,D L-ET FE-FK | 6 |
| 424 | NAS1195DD3KH | | ..SHIM | X,AA, AF,AG ,AK,A M,D L-ET FE-FK | 1 |
| 427 | NAS1195DD3KM | | ..SHIM | X,AA, AF,AG ,AK,A M,D L-ET FE-FK | 5 |
| -430 | 114T3137-1 | | .RIB ASSY-AIR LOAD | X,AF, AK,D L-DR, DY-EB ,EG,E J EL,EN ,EQ,E S,FE, FG,FJ | 1 |

57-43-37

 ILLUSTRATED PARTS LIST
 01.1 Page 1104
 Jul 01/03

| FIG. & ITEM | PART NO. | AIRLINE PART NUMBER | NOMENCLATURE 1234567 | EFF CODE | QTY PER ASSY |
|-------------|-------------|---------------------|--|--|--------------|
| 08- -433 | 114T3137-2 | | .RIB ASSY-AIR LOAD | AA,AG ,AM,D S-DX, EC-EF ,EH EK,EM ,EP,E R,ET, FF,FH ,FK | 1 |
| 436 | BACR15BA3AD | | ..RIVET- (SIZE DETERMINE ON INST) | X,AA, AF,AG ,AK,A M,D L-ET FE-FK | 22 |
| 439 | BACN10JQ32 | | ..NUTPLATE | X,AA, AF,AG ,AK,A M,D L-ET FE-FK | 3 |
| 442 | BRFM20A3 | | ..NUTPLATE- (V52828) (SPEC BACN10JN3) (OPT MF1000-3BAC (V15653)) (OPT NS103218-02 (V80539)) (OPT RMF9201M3 (V72962)) (OPT VN252A02 (V92215)) (OPT MF1000-3BAC (V15653)) (OPT MF53049-3 (V15653)) | X,AA, AF,AG ,AK,A M,D L-ET | 1 |

57-43-37

| FIG. & ITEM | PART NO. | AIRLINE PART NUMBER | NOMENCLATURE 1234567 | EFF CODE | QTY PER ASSY |
|-------------|--------------|---------------------|--|---|--------------|
| 08-445 | NS103225-02 | | ..NUTPLATE- (V80539) (SPEC BACN10KH3) (OPT RMF9209M3 (V72962)) (OPT F29779-3 (V15653)) | X,AA, AF,AG ,AK,A M,D L-ET FE-FK | 7 |
| 448 | NAS1195DD3KH | | ..SHIM | X,AA, AF,AG ,AK,A M,D L-ET FE-FK | 1 |
| 451 | NAS1195DD3KM | | ..SHIM | X,AA, AF,AG ,AK,A M,D L-ET FE-FK | 6 |
| -454 | 114T3133-1 | | .RIB ASSY-AIR LOAD | X,AF, AK,D L-DR, DY-EB ,EG,E J EL,EN ,EQ,E S,FE, FG,FJ | 1 |

57-43-37

 ILLUSTRATED PARTS LIST
 01.1 Page 1104B
 Jul 01/03

| FIG. & ITEM | PART NO. | AIRLINE PART NUMBER | NOMENCLATURE 1234567 | EFF CODE | QTY PER ASSY |
|-------------|-------------|---------------------|--|--|--------------|
| 08- -457 | 114T3133-2 | | .RIB ASSY-AIR LOAD | AA,AG ,AM,D S-DX, EC-EF ,EH EK,EM ,EP,E R,ET, FF,FH ,FK | 1 |
| 460 | BACR15BA3AD | | ..RIVET- (SIZE DETERMINE ON INST) | X,AA, AF,AG ,AK,A M,D L-ET FE-FK | 28 |
| 463 | BACN10JQ32 | | ..NUTPLATE | X,AA, AF,AG ,AK,A M,D L-ET FE-FK | 7 |
| 466 | BRFM20A3 | | ..NUTPLATE- (V52828) (SPEC BACN10JN3) (OPT MF1000-3BAC (V15653)) (OPT NS103218-02 (V80539)) (OPT RMF9201M3 (V72962)) (OPT VN252A02 (V92215)) (OPT MF1000-3BAC (V15653)) (OPT MF53049-3 (V15653)) | X,AA, AF,AG ,AK,A M,D L-ET FE-FK | 1 |

57-43-37

| FIG. & ITEM | PART NO. | AIRLINE PART NUMBER | NOMENCLATURE 1234567 | EFF CODE | QTY PER ASSY |
|-------------|--------------|---------------------|--|--|--------------|
| 08-469 | NS103225-02 | | ..NUTPLATE- (V80539) (SPEC BACN10KH3) (OPT RMF9209M3 (V72962)) (OPT F29779-3 (V15653)) | X,AA, AF,AG ,AK,A M,D L-ET FE-FK | 6 |
| 472 | NAS1195DD3KH | | ..SHIM | X,AA, AF,AG ,AK,A M,D L-ET FE-FK | 1 |
| 475 | NAS1195DD3KM | | ..SHIM | X,AA, AF,AG ,AK,A M,D L-ET FE-FK | 4 |
| -478 | 114T3132-1 | | .RIB ASSY-AIR LOAD | X,AF, AK,D L-DR, DY-EB ,EG,E J EL,EN ,EQ,E S,FE, FG,FJ | 1 |
| -481 | 114T3132-2 | | .RIB ASSY-AIR LOAD | AA,AG ,AM,D S-DX, EC-EF ,EH EK,EM ,EP,E R,ET, FF,FH ,FK | 1 |
| 484 | BACR15BA3AD | | ..RIVET- (SIZE DETERMINE ON INST) | X,AA, AF,AG ,AK,A M,D L-ET FE-FK | 30 |

57-43-37

ILLUSTRATED PARTS LIST
01.1 Page 1104D
Jul 01/03

| FIG. & ITEM | PART NO. | AIRLINE PART NUMBER | NOMENCLATURE 1234567 | EFF CODE | QTY PER ASSY |
|-------------|--------------|---------------------|--|---|--------------|
| 08-487 | BACN10JQ32 | | ..NUTPLATE | X,AA, AF,AG ,AK,A M,D L-ET FE-FK | 8 |
| 490 | BRFM20A3 | | ..NUTPLATE- (V52828) (SPEC BACN10JN3) (OPT MF1000-3BAC (V15653)) (OPT NS103218-02 (V80539)) (OPT RMF9201M3 (V72962)) (OPT VN252A02 (V92215)) (OPT MF1000-3BAC (V15653)) (OPT MF53049-3 (V15653)) | X,AA, AF,AG ,AK,A M,D L-ET FE-FK | 1 |
| 493 | NS103225-02 | | ..NUTPLATE- (V80539) (SPEC BACN10KH3) (OPT RMF9209M3 (V72962)) (OPT F29779-3 (V15653)) | X,AA, AF,AG ,AK,A M,D L-ET FE-FK | 6 |
| 496 | NAS1195DD3KH | | ..SHIM | X,AA, AF,AG ,AK,A M,D L-ET FE-FK | 1 |

57-43-37

| FIG. & ITEM | PART NO. | AIRLINE PART NUMBER | NOMENCLATURE 1234567 | EFF CODE | QTY PER ASSY |
|-------------|--------------|---------------------|--------------------------------------|--|--------------|
| 08-499 | NAS1195DD3KM | | ..SHIM | X,AA, AF,AG ,AK,A M,D L-ET FE-FK | 4 |
| -502 | 114T3131-1 | | .RIB ASSY-AIR LOAD | X,AF, AK,D L-DR, DY-EB ,EG,E J EL,EN ,EQ,E S,FE, FG,FJ | 1 |
| -505 | 114T3131-2 | | .RIB ASSY-AIR LOAD | AA,AG ,AM,D S-DX, EC-EF ,EH EK,EM ,EP,E R,ET, FF,FH ,FK | 1 |
| 508 | BACR15BA3AD | | ..RIVET- (SIZE DETERMINE ON INST) | X,AA, AF,AG ,AK,A M,D L-ET FE-FK | 34 |

57-43-37

 ILLUSTRATED PARTS LIST
 01.1 Page 1104F
 Jul 01/03

| FIG. & ITEM | PART NO. | AIRLINE PART NUMBER | NOMENCLATURE 1234567 | EFF CODE | QTY PER ASSY |
|-------------|--------------|---------------------|--|---|--------------|
| 08-511 | BACN10JQ32 | | ..NUTPLATE | X,AA, AF,AG ,AK,A M,D L-ET FE-FK | 10 |
| 514 | BRFM20A3 | | ..NUTPLATE- (V52828) (SPEC BACN10JN3) (OPT MF1000-3BAC (V15653)) (OPT NS103218-02 (V80539)) (OPT RMF9201M3 (V72962)) (OPT VN252A02 (V92215)) (OPT MF1000-3BAC (V15653)) (OPT MF53049-3 (V15653)) | X,AA, AF,AG ,AK,A M,D L-ET FE-FK | 1 |
| 517 | NS103225-02 | | ..NUTPLATE- (V80539) (SPEC BACN10KH3) (OPT RMF9209M3 (V72962)) (OPT F29779-3 (V15653)) | X,AA, AF,AG ,AK,A M,D L-ET FE-FK | 6 |
| 520 | NAS1195DD3KH | | ..SHIM | X,AA, AF,AG ,AK,A M,D L-ET FE-FK | 1 |

57-43-37

| FIG. & ITEM | PART NO. | AIRLINE PART NUMBER | NOMENCLATURE 1234567 | EFF CODE | QTY PER ASSY |
|-------------|--------------|---------------------|--------------------------------------|--|--------------|
| 08-523 | NAS1195DD3KM | | ..SHIM | X,AA, AF,AG ,AK,A M,D L-ET FE-FK | 4 |
| -526 | 114T3150-1 | | .RIB ASSY-END | X,AF, AK,D L-DR, DY-EB ,EG,E J EL,EN ,EQ,E S,FE, FG,FJ | 1 |
| -529 | 114T3150-2 | | .RIB ASSY-END | AA,AG ,AM,D S-DX, EC-EF ,EH EK,EM ,EP,E R,ET, FF,FH ,FK | 1 |
| 532 | BACR15BA3AD | | ..RIVET- (SIZE DETERMINE ON INST) | X,AA, AF,AG ,AK,A M,D L-ET FE-FK | 26 |
| 535 | BACN10JQ32 | | ..NUTPLATE | X,AA, AF,AG ,AK,A M,D L-ET FE-FK | 3 |

57-43-37

 ILLUSTRATED PARTS LIST
 01.1 Page 1104H
 Jul 01/03

| FIG. & ITEM | PART NO. | AIRLINE PART NUMBER | NOMENCLATURE 1234567 | EFF CODE | QTY PER ASSY |
|-------------|--------------|---------------------|--|---|--------------|
| 08-538 | BRFM20A3 | | ..NUTPLATE- (V52828) (SPEC BACN10JN3) (OPT MF1000-3BAC (V15653)) (OPT NS103218-02 (V80539)) (OPT RMF9201M3 (V72962)) (OPT VN252A02 (V92215)) (OPT MF1000-3BAC (V15653)) (OPT MF53049-3 (V15653)) | X,AA, AF,AG ,AK,A M,D L-ET FE-FK | 1 |
| 541 | T8124S4S | | ..NUTPLATE- (V71087) (SPEC BACN10JN4) (OPT MF1000-4BAC (V15653)) (OPT NS103218-048 (V80539)) (OPT RMF9201M4 (V72962)) (OPT VN252A048 (V92215)) (OPT VN252A048 (V92215)) (OPT T8124S4S (V11815)) | X,AA, AF,AG ,AK,A M,D L-ET FE-FK | 3 |
| 544 | NS103225-02 | | ..NUTPLATE- (V80539) (SPEC BACN10KH3) (OPT RMF9209M3 (V72962)) (OPT F29779-3 (V15653)) | X,AA, AF,AG ,AK,A M,D L-ET FE-FK | 6 |
| 547 | NAS1195DD3KH | | ..SHIM | X,AA, AF,AG ,AK,A M,D L-ET FE-FK | 2 |

57-43-37

| FIG. & ITEM | PART NO. | AIRLINE PART NUMBER | NOMENCLATURE 1234567 | EFF CODE | QTY PER ASSY |
|-------------|--------------|---------------------|--------------------------------------|--|--------------|
| 08-550 | NAS1195DD3KM | | ..SHIM | X,AA, AF,AG ,AK,A M,D L-ET FE-FK | 3 |
| -553 | 114T3130-1 | | .RIB ASSY-END | X,AF, AK,D L-DR, DY-EB ,EG,E J EL,EN ,EQ,E S,FE, FG,FK | 1 |
| -556 | 114T3130-2 | | .RIB ASSY-END | AA,AG ,AM,D S-DX, EC-EF ,EH EK,EM ,EP,E R,ET, FF,FH ,FK | 1 |
| 559 | BACR15BA3AD | | ..RIVET- (SIZE DETERMINE ON INST) | X,AA, AF,AG ,AK,A M,D L-ET FE-FK | 38 |

57-43-37

ILLUSTRATED PARTS LIST
 01.1 Page 1104J
 Jul 01/03

| FIG. & ITEM | PART NO. | AIRLINE PART NUMBER | NOMENCLATURE 1234567 | EFF CODE | QTY PER ASSY |
|-------------|--------------|---------------------|--|---|--------------|
| 08-562 | BACN10JQ32 | | ..NUTPLATE | X,AA, AF,AG ,AK,A M,D L-ET FE-FK | 10 |
| 565 | BRFM20A3 | | ..NUTPLATE- (V52828) (SPEC BACN10JN3) (OPT MF1000-3BAC (V15653)) (OPT NS103218-02 (V80539)) (OPT RMF9201M3 (V72962)) (OPT VN252A02 (V92215)) (OPT MF1000-3BAC (V15653)) (OPT MF53049-3 (V15653)) | X,AA, AF,AG ,AK,A M,D L-ET FE-FK | 1 |
| 568 | NS103225-02 | | ..NUTPLATE- (V80539) (SPEC BACN10KH3) (OPT RMF9209M3 (V72962)) (OPT F29779-3 (V15653)) | X,AA, AF,AG ,AK,A M,D L-ET FE-FK | 8 |
| 571 | NAS1195DD3KH | | ..SHIM | X,AA, AF,AG ,AK,A M,D L-ET FE-FK | 1 |

57-43-37

| FIG. & ITEM | PART NO. | AIRLINE PART NUMBER | NOMENCLATURE 1234567 | EFF CODE | QTY PER ASSY |
|-------------|--------------|---------------------|-------------------------------------|---|--------------|
| 08-574 | NAS1195DD3KM | | ..SHIM | X,AA, AF,AG ,AK,A M,D L-ET FE-FK | 6 |
| 577 | BACR15BB3AD | | .RIVET- (SIZE DETERMINE ON INST) | X,AA, AF,AG ,AK,A M,D L-ET FE-FK | 4 |
| 580 | MS27253-1 | | .PLATE | X,AA, AF,AG ,AK,A M,D L-ET FE-FK | 1 |

- Item Not Illustrated

57-43-37

ILLUSTRATED PARTS LIST
 01.1 Page 1104L
 Jul 01/03